



US00D664142S

(12) **United States Design Patent**  
**Ashcraft et al.**

(10) **Patent No.:** **US D664,142 S**  
(45) **Date of Patent:** **\*\* Jul. 24, 2012**

- (54) **QUADRUPLE HINGE ASSEMBLY**
- (75) Inventors: **Britt C Ashcraft**, Tomball, TX (US);  
**Michael Delpier**, Houston, TX (US);  
**Peter M On**, Houston, TX (US)
- (73) Assignee: **Hewlett-Packard Development Company, L.P.**, Houston, TX (US)
- (\*\*) Term: **14 Years**
- (21) Appl. No.: **29/401,775**
- (22) Filed: **Sep. 15, 2011**
- (51) **LOC (9) Cl.** ..... **14-02**
- (52) **U.S. Cl.** ..... **D14/315**
- (58) **Field of Classification Search** ..... D14/315-327,  
D14/349, 356; D18/1, 2, 7, 11; 235/145 A,  
235/145 R; 341/22, 23; 345/104, 156, 168,  
345/169, 173; 361/679.08, 679.09, 679.11,  
361/679.21, 679.26, 679.27; 16/250, 285,  
16/330, 337, 340, 342, 374, 386  
See application file for complete search history.

(56) **References Cited**

**U.S. PATENT DOCUMENTS**

6,430,777	B1 *	8/2002	Lu	16/340
6,671,929	B1 *	1/2004	Lu	16/342
6,748,625	B2 *	6/2004	Lu	16/285
6,986,188	B2 *	1/2006	Lu et al.	16/330
7,377,034	B2	5/2008	Thomas	
7,463,481	B2	12/2008	Lev et al.	
7,513,014	B2 *	4/2009	Lin	16/374
7,716,788	B2 *	5/2010	Lin	16/330

2004/0074050	A1 *	4/2004	Birtley	16/340
2008/0151476	A1 *	6/2008	Chern	361/681
2010/0088853	A1	4/2010	Degner et al.	
2010/0139040	A1 *	6/2010	Shen	16/250
2011/0085289	A1	4/2011	Park et al.	

\* cited by examiner

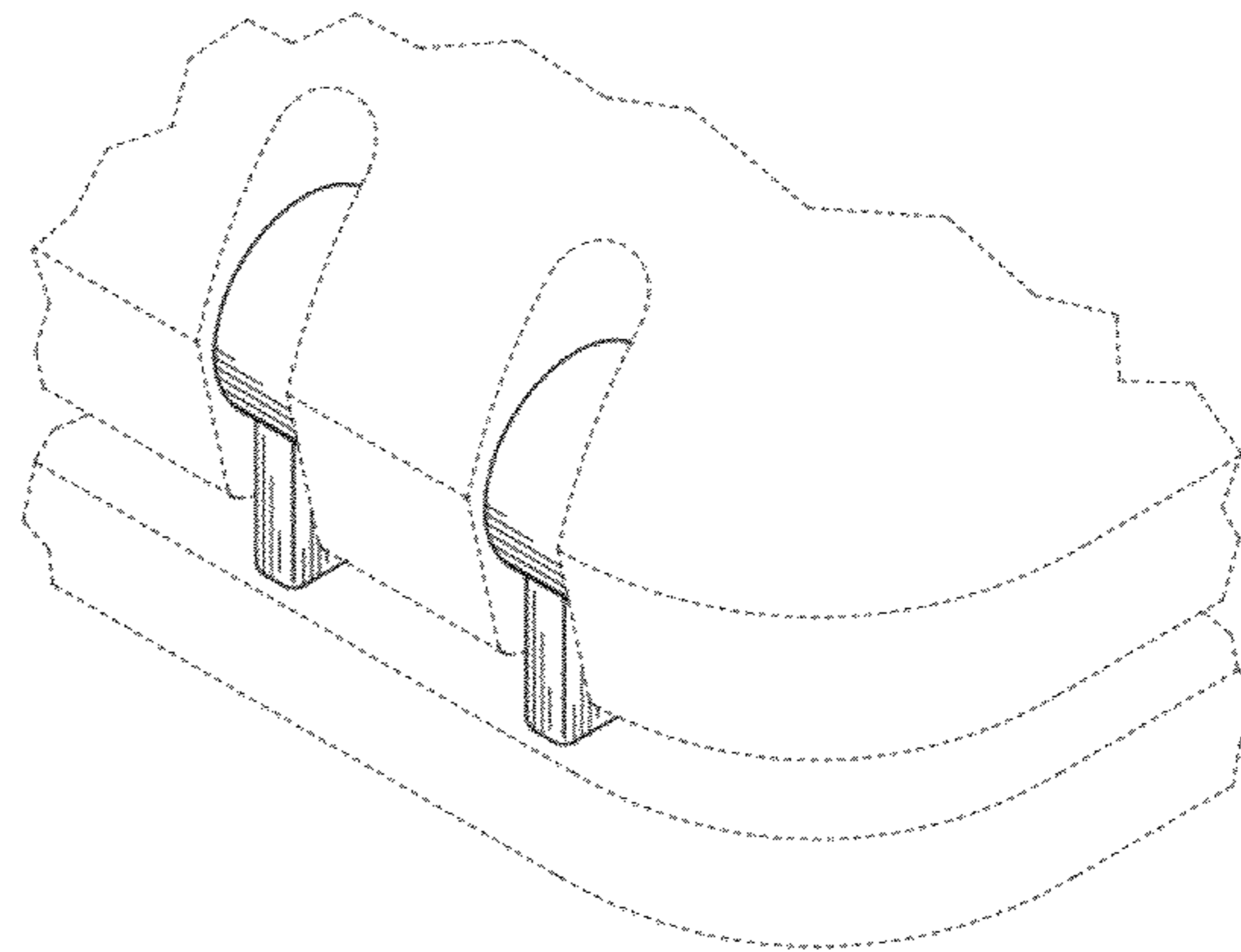
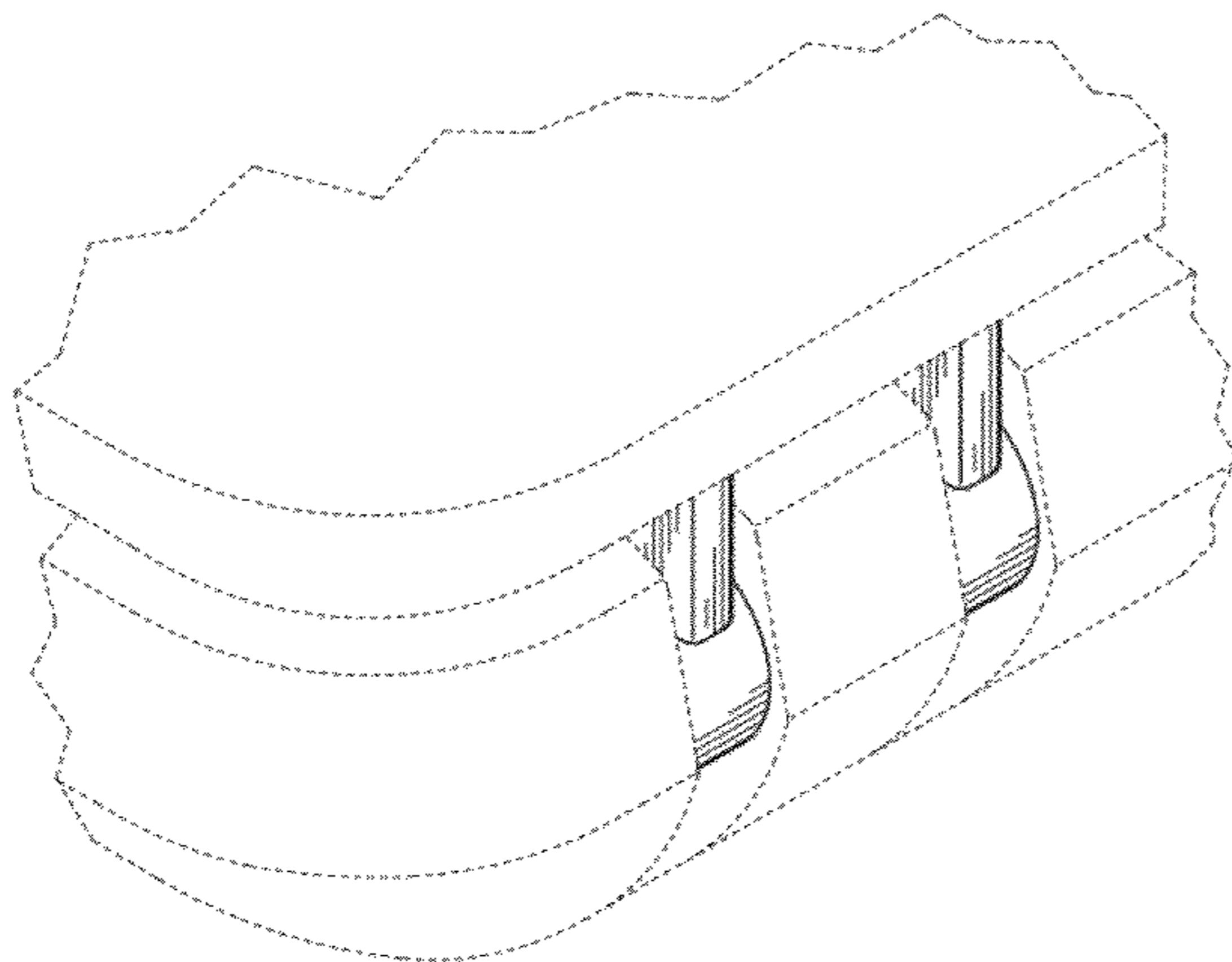
*Primary Examiner* — Freda S Nunn  
(74) *Attorney, Agent, or Firm* — Erik Anderson

(57) **CLAIM**  
The ornamental design for a quadruple hinge assembly, as shown and described.

**DESCRIPTION**

FIG. 1 is a top-rear perspective view of a quadruple hinge assembly comprising Applicants' design;  
 FIG. 2 is an enlarged top-rear perspective view of a portion of the quadruple hinge assembly of FIG. 1;  
 FIG. 3 is an enlarged bottom-rear perspective view of a portion of the quadruple hinge assembly of FIG. 1;  
 FIG. 4 is an enlarged side view of a portion of the quadruple hinge assembly of FIG. 1;  
 FIG. 5 is an enlarged rear view of a portion of the quadruple hinge assembly of FIG. 1;  
 FIG. 6 is an enlarged bottom view of a portion of the quadruple hinge assembly of FIG. 1;  
 FIG. 7 is a top-front perspective view of the quadruple hinge assembly of FIG. 1; and,  
 FIG. 8 is an enlarged top-front perspective view of a portion of the quadruple hinge assembly of FIG. 1.  
 The broken lines shown in the drawings represent visible environmental structure that form no part of the claimed design.

**1 Claim, 5 Drawing Sheets**



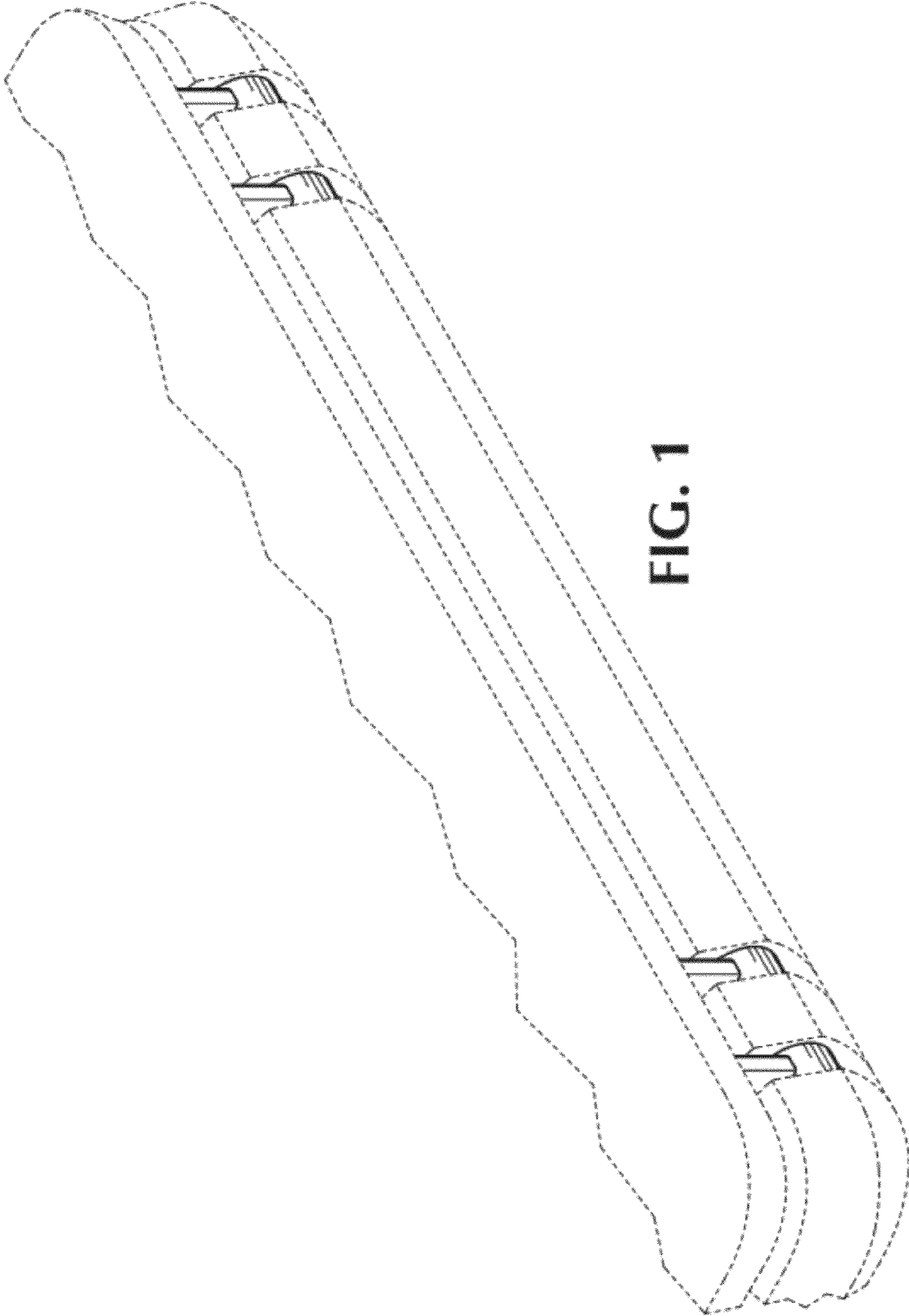


FIG. 1

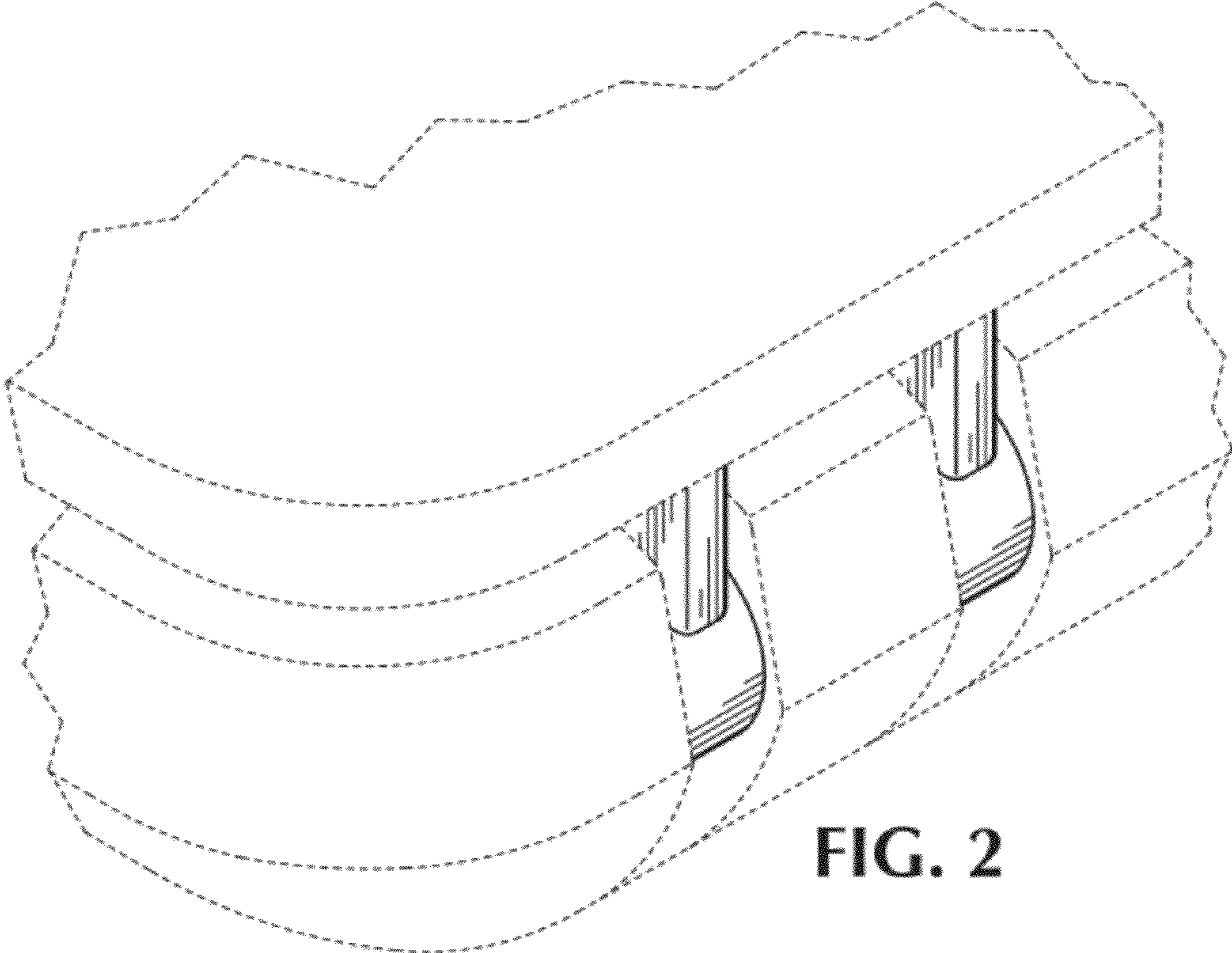


FIG. 2

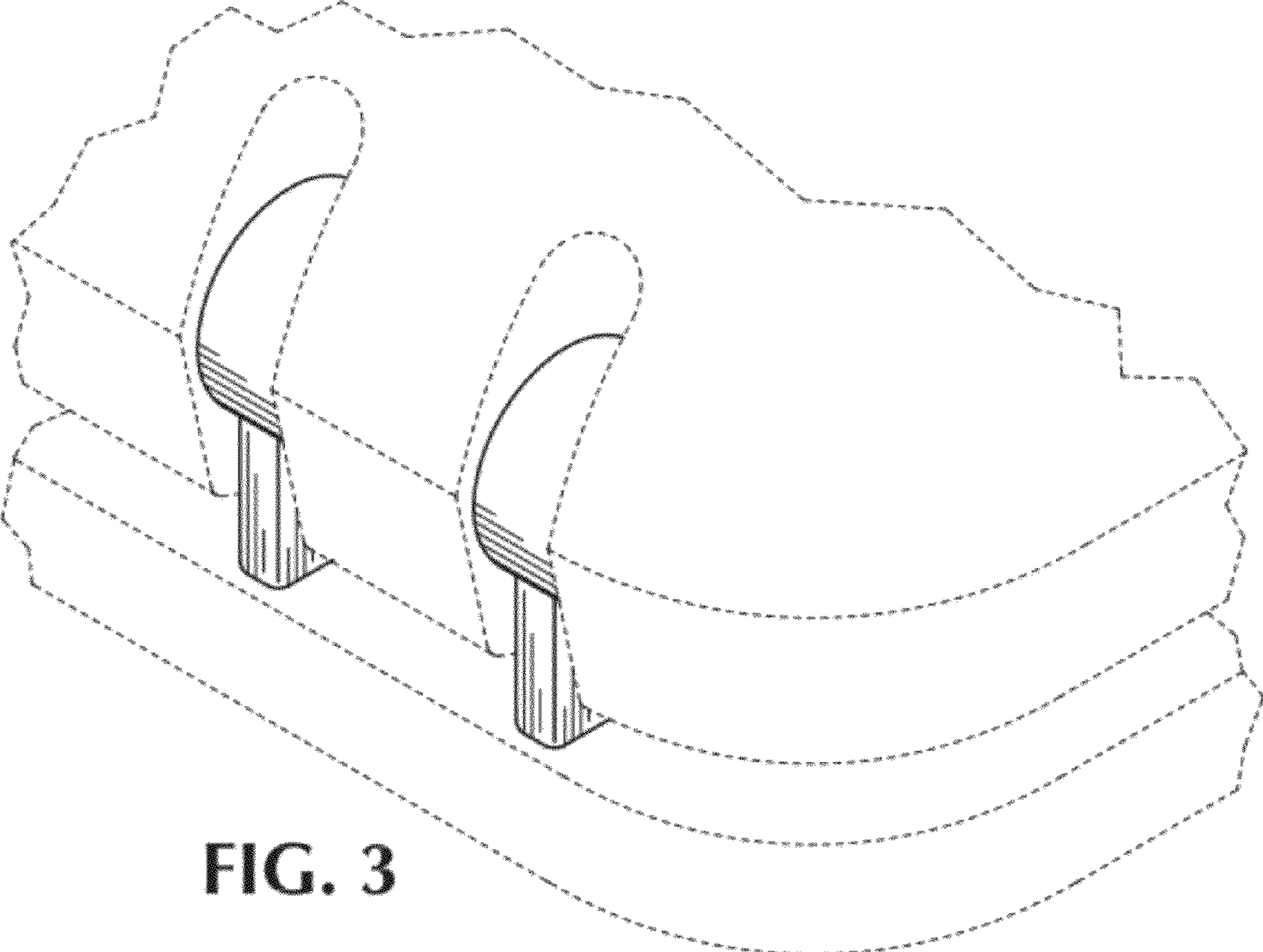


FIG. 3

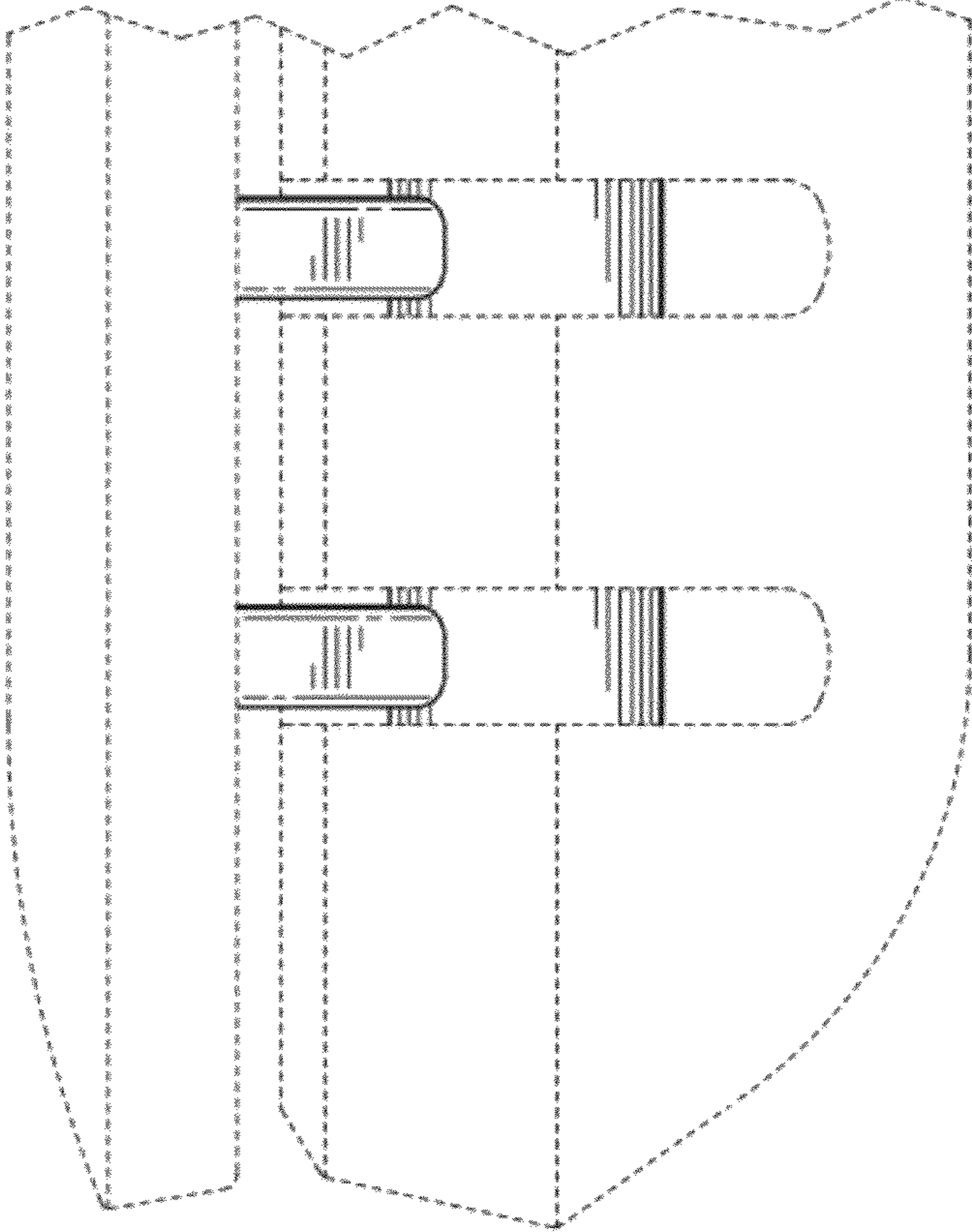


FIG. 5

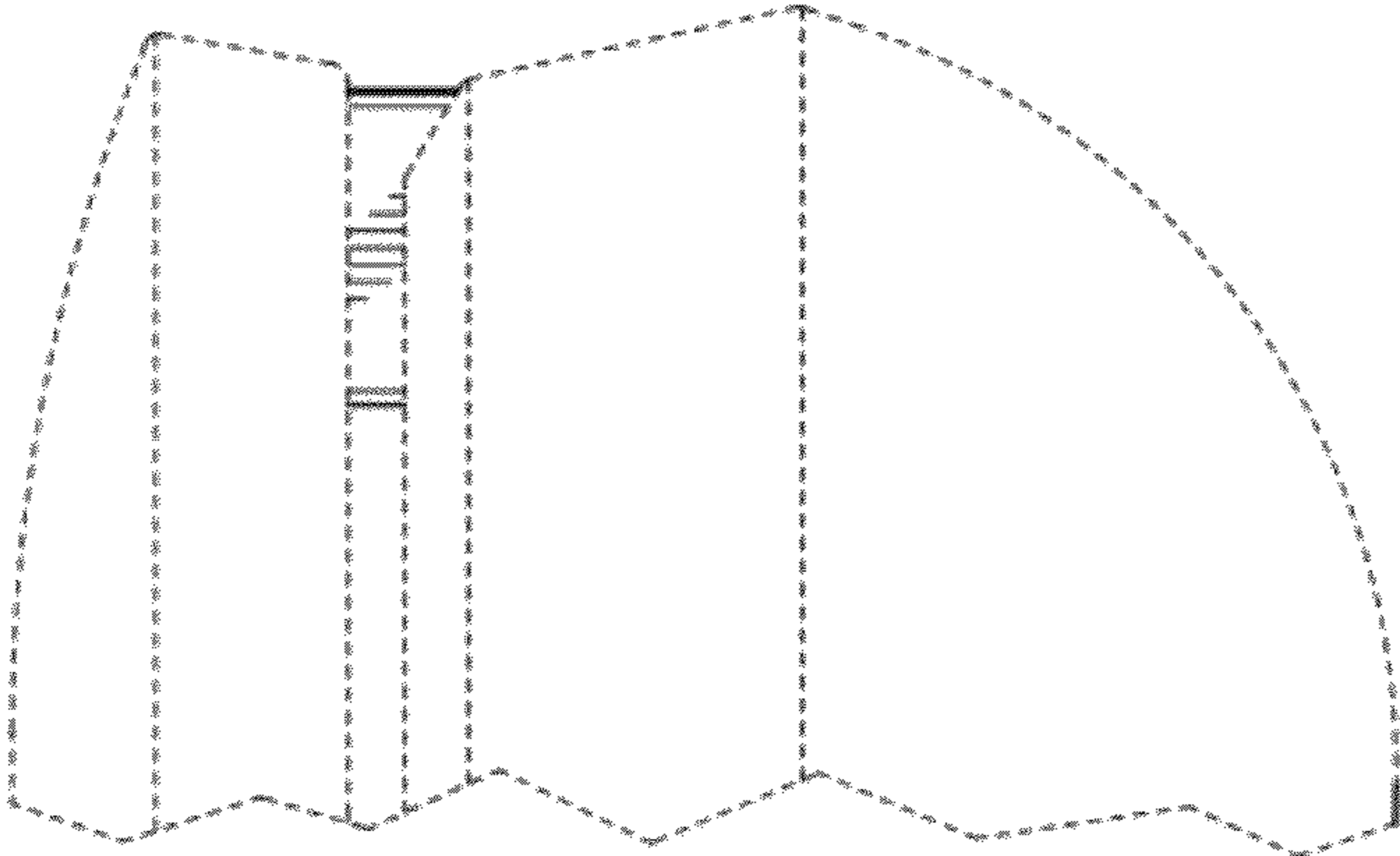


FIG. 4

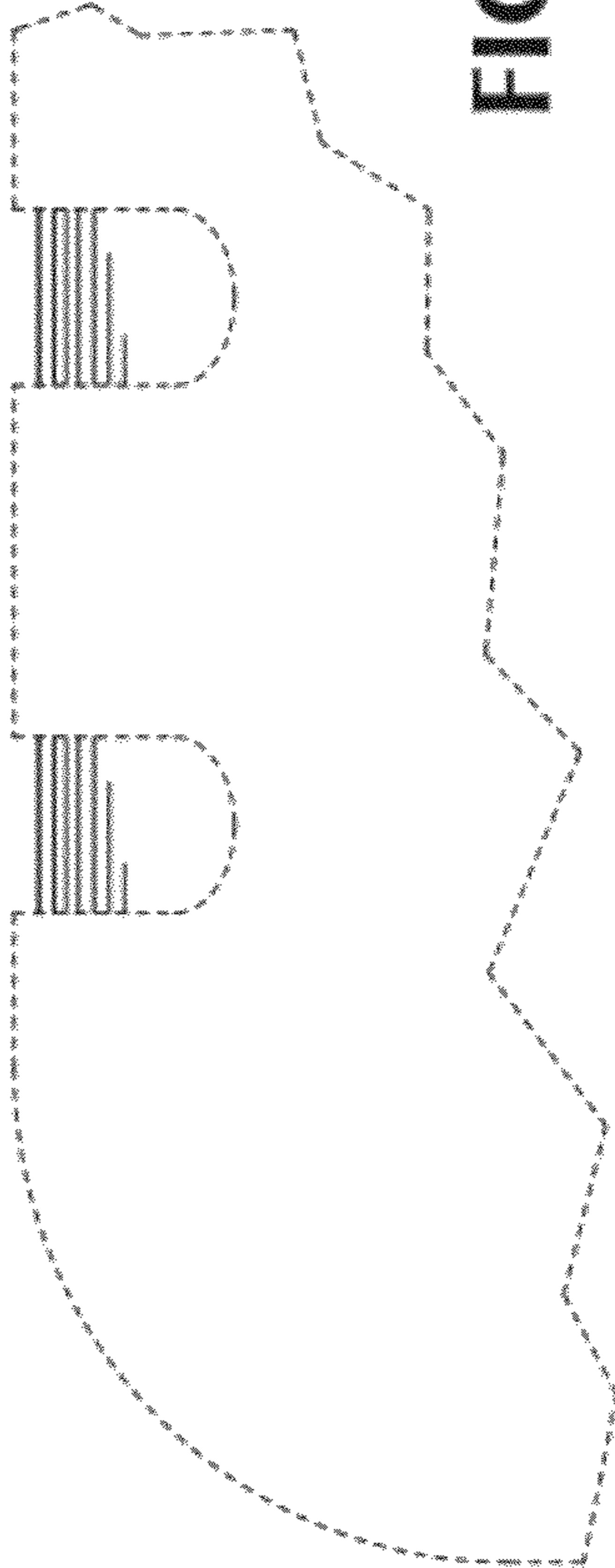
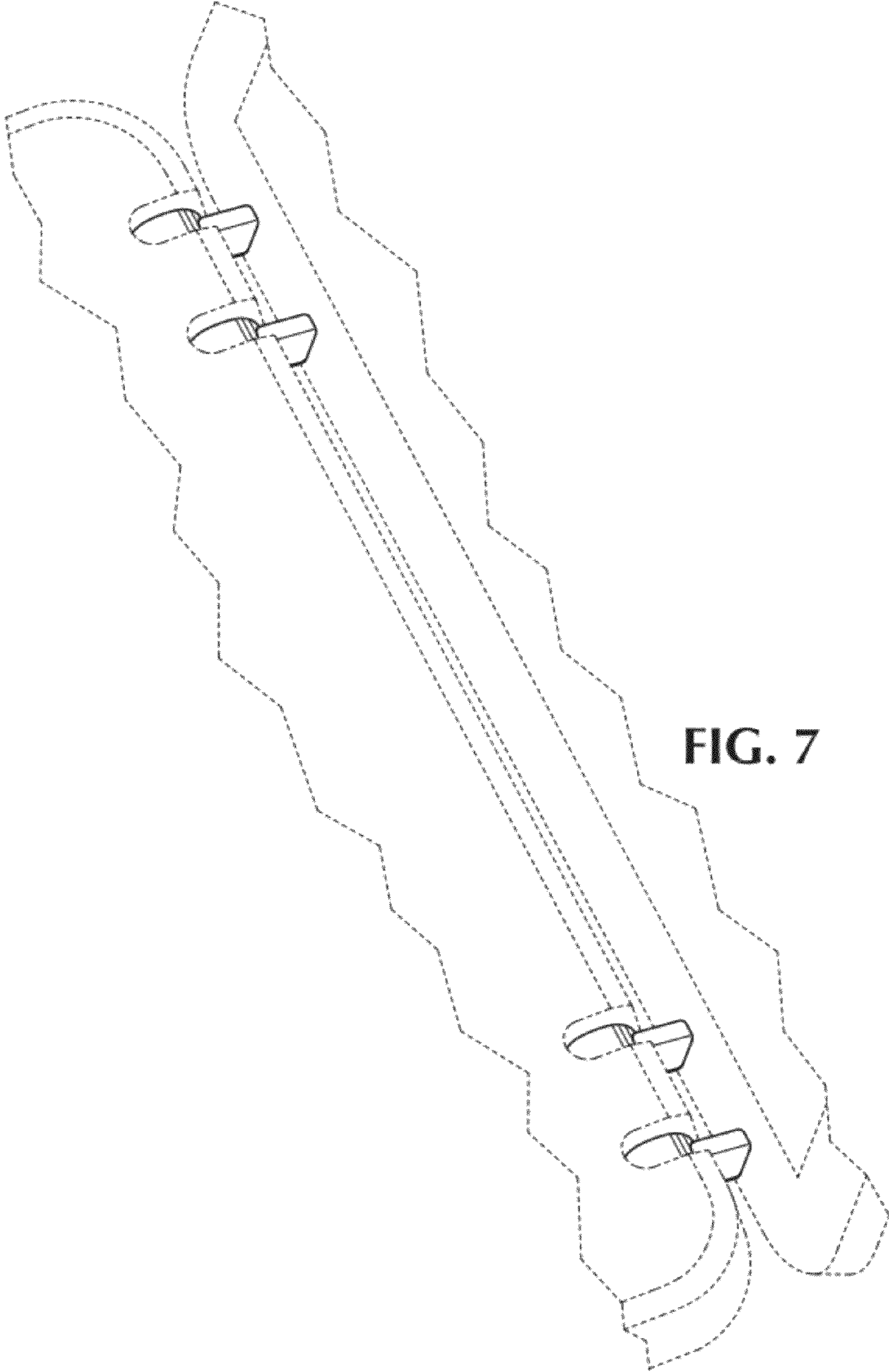
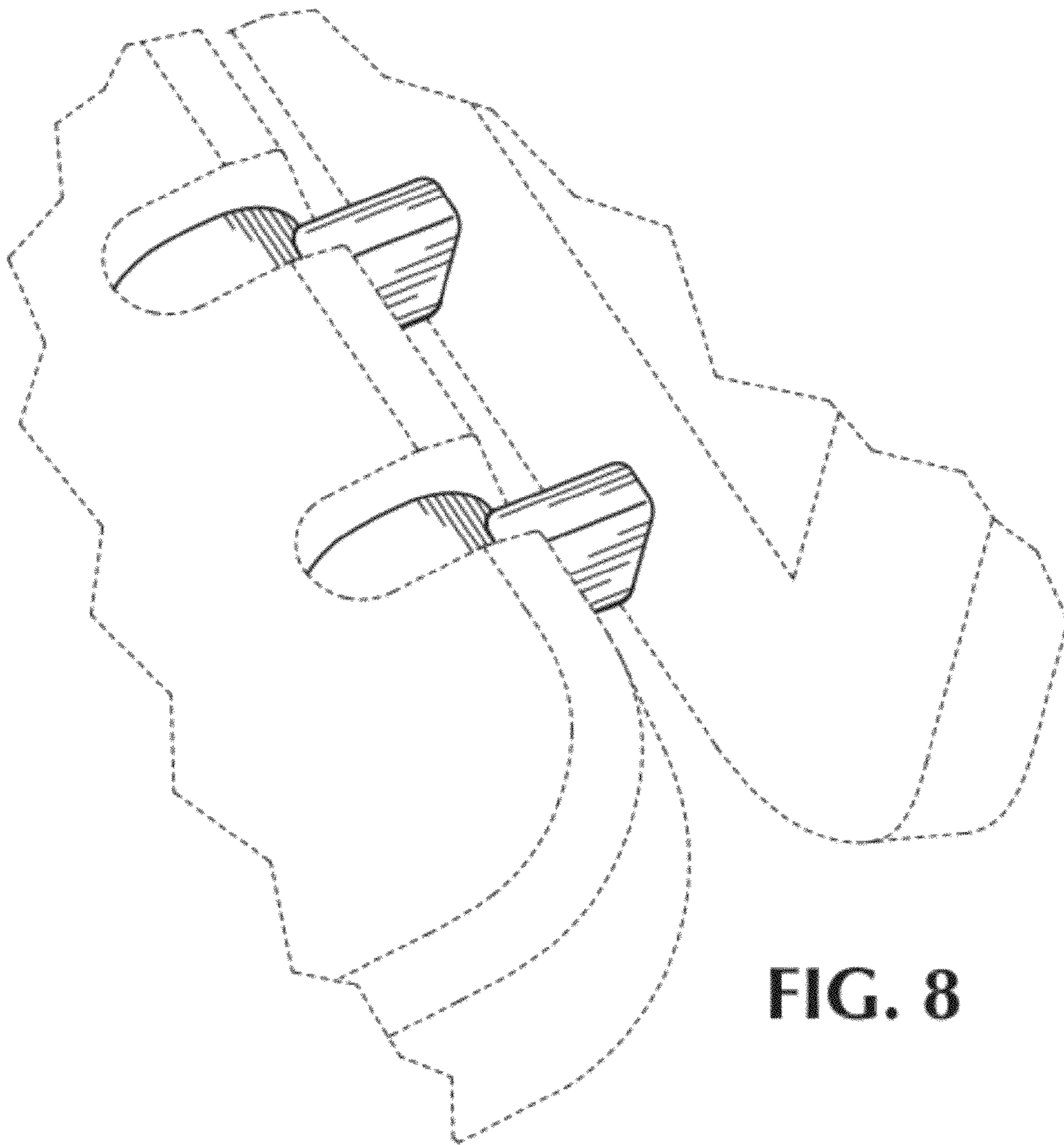


FIG. 6



**FIG. 7**



**FIG. 8**