

US00D664126S

(12) **United States Design Patent**
Feit

(10) **Patent No.:** **US D664,126 S**
(45) **Date of Patent:** **** Jul. 24, 2012**

(54) **ANTENNA**

(75) **Inventor:** **Corey Feit**, Saint Louis, MO (US)

(73) **Assignee:** **Antennas Direct, Inc.**, Ellisville, MO (US)

(**) **Term:** **14 Years**

(21) **Appl. No.:** **29/368,621**

(22) **Filed:** **Aug. 26, 2010**

(51) **LOC (9) Cl.** **14-03**

(52) **U.S. Cl.** **D14/230**

(58) **Field of Classification Search** D14/138,
D14/230-238, 299, 358; D12/42, 43; 343/700
R-705, 711-713, 735, 736, 741, 748, 767,
343/795, 819, 840, 846, 866, 871-908; 455/90.2,
455/90.3, 91, 128, 269, 344, 347, 562.1;
333/193, 195

See application file for complete search history.

(56) **References Cited**

U.S. PATENT DOCUMENTS

D42,949	S	*	8/1912	Perkins	D9/423
2,220,008	A		10/1940	Woodward et al.		
D137,807	S	*	5/1944	Dugdale	D9/432
D144,278	S	*	3/1946	Wohl	D27/189
2,437,251	A		3/1948	Frische et al.		
2,480,155	A		8/1949	Masters		
2,589,578	A		3/1952	Sabins		
D170,203	S		8/1953	Leonard		
D171,560	S		2/1954	Rutter		
D177,200	S		3/1956	Valiulis		
D179,111	S		11/1956	Ballan et al.		
2,821,710	A		1/1958	Hale		
3,015,101	A		12/1961	Turner et al.		
3,123,826	A		3/1964	Durham		
3,161,975	A		12/1964	McMillan		
3,239,838	A		3/1966	Kelleher		

(Continued)

FOREIGN PATENT DOCUMENTS

CN ZL200820007283.2 5/2009

(Continued)

OTHER PUBLICATIONS

Tofel, Kevin C., HD Picture frame antenna, Aug. 11, 2005, <http://hd.engadget.com/2005/08/11/hd-picture-frame-antenna>, 1 page.

(Continued)

Primary Examiner — John Windmuller

(74) *Attorney, Agent, or Firm* — Harness, Dickey & Pierce, P.L.C.

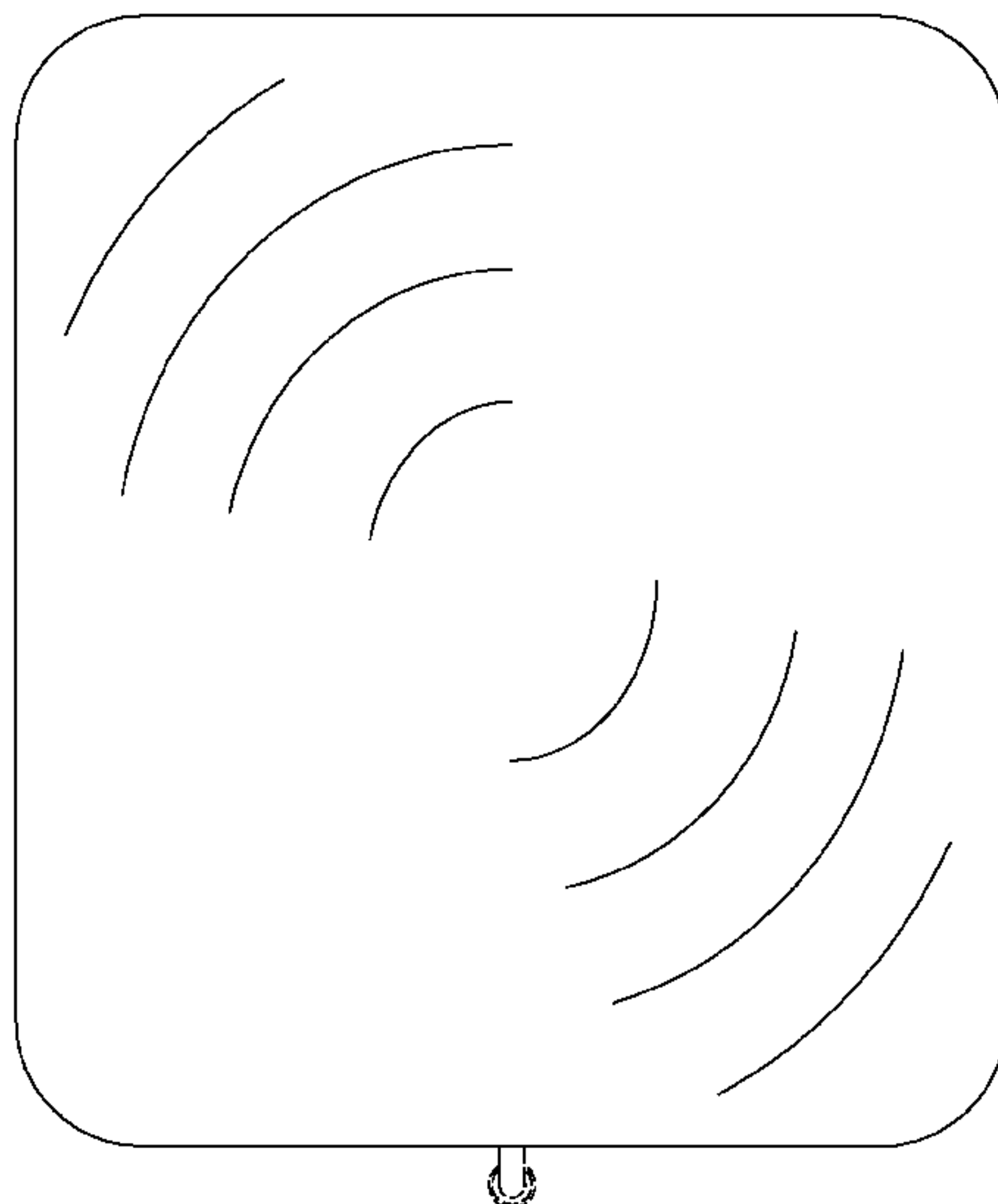
(57) **CLAIM**

The ornamental design for an antenna, as shown and described.

DESCRIPTION

FIG. 1 is a front perspective view of the antenna, showing my new design;
FIG. 2 is a back perspective view thereof;
FIG. 3 is a front elevation view thereof;
FIG. 4 is a back elevation thereof;
FIG. 5 is a bottom plan view thereof;
FIG. 6 is a top plan view thereof;
FIG. 7 is a right elevation view thereof;
FIG. 8 is a left elevation view thereof; and
FIG. 9 is a perspective view thereof in use with a base;
FIG. 10 is a perspective view thereof in use on furniture;
FIG. 11 is another perspective view thereof in use with a base;
FIG. 12 is a perspective view thereof in use on a wall;
FIG. 13 is still another perspective view thereof in use with a base; and,
FIG. 14 is another perspective view thereof in use on a wall.
The broken lines in the figures show areas of the antenna and also environment which form no part of the claimed design.

1 Claim, 14 Drawing Sheets



US D664,126 S

Page 2

U.S. PATENT DOCUMENTS

3,261,019 A 7/1966 Lundy
 3,273,158 A 9/1966 Fouts et al.
 D209,402 S 11/1967 Burlingame
 D211,025 S 5/1968 Callaghan
 3,434,145 A 3/1969 Wells
 3,587,105 A 6/1971 Neilson
 3,721,990 A 3/1973 Gibson et al.
 3,828,867 A 8/1974 Elwood
 4,184,163 A 1/1980 Woodward
 D269,249 S * 6/1983 Cillario D9/424
 4,418,427 A 11/1983 Muterspaugh
 4,987,424 A 1/1991 Tamura et al.
 D318,673 S 7/1991 Terk
 D327,690 S 7/1992 Ogawa et al.
 D332,262 S 1/1993 Borchardt
 D344,731 S 3/1994 Witzky
 5,313,218 A 5/1994 Busking
 5,943,025 A 8/1999 Benham et al.
 D414,187 S * 9/1999 Lange et al. D14/231
 D414,495 S 9/1999 Heiligenstein et al.
 D427,182 S * 6/2000 Andrew et al. D14/230
 D440,961 S * 4/2001 Inoue D14/230
 6,239,764 B1 5/2001 Timofeev et al.
 6,435,932 B1 * 8/2002 Lynn 446/30
 D463,411 S * 9/2002 Stokes et al. D14/240
 6,593,886 B2 7/2003 Schantz
 6,680,708 B2 1/2004 Yamaki
 D489,720 S * 5/2004 Sasaki D14/358
 D497,074 S * 10/2004 Dardashti D6/632
 D497,508 S * 10/2004 Dardashti D6/632
 6,885,352 B2 4/2005 Lee et al.
 D517,535 S * 3/2006 Wu D14/230
 7,091,925 B1 8/2006 Wang
 D533,545 S * 12/2006 Inoue D14/230
 D537,445 S * 2/2007 Bousfield D14/383
 D540,318 S * 4/2007 Wang D14/300
 7,209,089 B2 4/2007 Schantz
 D544,471 S 6/2007 Wang
 D546,709 S * 7/2007 Brooks D10/2
 7,239,290 B2 7/2007 Poilasne et al.
 7,245,266 B1 7/2007 Szente et al.
 D548,730 S * 8/2007 Inoue D14/230
 D550,217 S 9/2007 Schneider
 D552,088 S 10/2007 Schneider
 D563,677 S * 3/2008 Zemel D4/138
 D565,298 S * 4/2008 Braun D3/273
 D574,769 S * 8/2008 Fisher et al. D13/108
 D575,959 S * 9/2008 Borovicka et al. D4/129
 D577,495 S * 9/2008 Borovicka et al. D4/138
 D578,960 S * 10/2008 Fisher et al. D13/108
 D580,932 S * 11/2008 Tzou et al. D14/356
 D585,395 S * 1/2009 Cho et al. D14/125
 D596,636 S * 7/2009 Kim et al. D14/363
 D597,543 S * 8/2009 Urban D14/356
 D598,433 S 8/2009 Schneider et al.
 D598,434 S 8/2009 Schneider et al.
 7,609,222 B2 10/2009 Schneider et al.
 D604,276 S 11/2009 Schneider et al.
 7,693,570 B2 4/2010 Green et al.
 D618,240 S * 6/2010 Larmour et al. D14/358
 D628,573 S * 12/2010 Wang D14/356
 7,898,496 B2 3/2011 Olsen et al.
 D638,425 S * 5/2011 Ikeda et al. D14/358
 D638,426 S * 5/2011 Ikeda et al. D14/358
 D640,692 S * 6/2011 Waisman-Diamond D14/358
 D641,365 S * 7/2011 Lee et al. D14/368
 D641,722 S * 7/2011 Luo D14/125
 D641,740 S * 7/2011 Jeon et al. D14/240
 D642,173 S * 7/2011 Lee et al. D14/365
 D644,222 S * 8/2011 Woo et al. D14/365
 D645,466 S * 9/2011 Woo et al. D14/365
 D647,896 S * 11/2011 Chen et al. D14/314
 D649,945 S * 12/2011 Kim et al. D14/125
 2002/0158798 A1 10/2002 Chiang et al.
 2003/0071757 A1 4/2003 Yamaki
 2004/0090379 A1 5/2004 Fourdeux et al.
 2004/0090385 A1 5/2004 Green
 2004/0113841 A1 6/2004 Louzir et al.

2004/0217912 A1 11/2004 Mohammadian
 2005/0088342 A1 4/2005 Parsche
 2005/0162332 A1 7/2005 Schantz
 2005/0280582 A1 12/2005 Powell et al.
 2006/0033665 A1 2/2006 Yang
 2006/0055618 A1 3/2006 Poilasne et al.
 2006/0077115 A1 4/2006 Oh et al.
 2006/0103577 A1 5/2006 Lee
 2006/0164304 A1 7/2006 Huang et al.
 2007/0069955 A1 3/2007 McCorkle
 2007/0200769 A1 8/2007 Nakano et al.
 2007/0279852 A1 * 12/2007 Daniel et al. 361/683
 2008/0094291 A1 4/2008 Bystrom et al.
 2008/0211720 A1 9/2008 Hansen
 2008/0258980 A1 10/2008 Chen et al.
 2008/0291345 A1 11/2008 Schneider
 2009/0058732 A1 3/2009 Nakano et al.
 2009/0073067 A1 3/2009 Soler Castany et al.
 2009/0146899 A1 6/2009 Schneider et al.
 2009/0176391 A1 * 7/2009 Brock et al. 439/136
 2010/0045551 A1 2/2010 Schneider et al.
 2010/0085269 A1 4/2010 Sadowski et al.

FOREIGN PATENT DOCUMENTS

CN ZL200830119996.3 5/2009
 CN 101453057 6/2009
 CN ZL200830119997.8 7/2009
 CN ZL200830009139.8 9/2009
 EP 1555717 7/2005
 EP 1653560 5/2006
 EP 000946587-0001 5/2008
 EP 000946587-0002 5/2008
 EP 000946587-0003 5/2008
 EP 000946587-0004 5/2008
 EP 000946587-0005 5/2008
 EP 000946587-0006 5/2008
 EP 000946587-0007 5/2008
 EP 08747115.7 6/2010
 EP 10172435.9 8/2010
 GB 2263360 7/1993
 HK 1131703 A 1/2010
 JP D1213590 6/2004
 JP 1286151 9/2006
 TW D112283 8/2006
 TW D117777 6/2007
 TW D117778 6/2007
 TW D119092 9/2007
 TW 97116445 5/2008
 TW D129744 7/2009
 TW D129745 7/2009
 TW D129746 7/2009
 WO WO2009/073249 6/2009
 WO WO2010/028309 3/2010

OTHER PUBLICATIONS

Antennas Direct, PF7 Picture Frame Antenna, Oct. 1, 2005, Antennas Direct, http://web.archive.org/web/20051001020653/http://antennasdirect.com/PF7_antenna.html, 1 page.
 United States Office Action dated Sep. 13, 2011, issued by the United States Patent and Trademark Office in U.S. Appl. No. 12/126,593, which shares the same assignee, Antennas Direct, Inc., with the instant application, 13 pages.
 European Supplementary Search Report and Opinion dated Oct. 7, 2010, issued by the European Patent Office for European Patent Application No. EP 08747115 (6 pages).
 IEEE Spectrum: Antennas for the New Airwaves, <http://www.spectrum.ieee.org/print/7328>, Published Feb. 2009, 9 pages, Authors Richard Schneider and John Ross.
 Antenna Engineering Handbook, 3rd Edition, Edited by Richard C. Johnson, McGraw Hill, 1993, pp. 5-13 to 5-16 (4 pages).
 One-Element Loop Antenna with Finite Reflector, B. Rojarayanont and T. Sekiguchi, Electronics & Communications in Japan, vol. 59-B, No. 5, May 1976, p. 68 (1 page).
 Frequency-and Time-Domain Modeling of Tapered Loop Antennas in Ultra-Wideband Radio Systems, Shiou-Li Chen and Shau-Gang

Mao, Graduate Institute of Computer and Communication Engineer, pp. 179-182, IEEE copyright notice 2006 (4 pages).

Planar Miniature Tapered-Slot-Fed Annular Slot Antennas for Ultrawide-Band Radios, Tzyh-Ghuang Ma, Student Member, and Shyh-Kang, Jeng, Senior Member, IEEE, IEEE Transactions on Antennas and Propagation, vol. 53, No. 3, Mar. 2005, pp. 1194-1202 (9 pages).

Self-Manual Admittances of Two Identical Circular Loop Antennas in a Conducting Medium and in Air, K. Lizuka, Senior Member, IEEE, R. W. P. King, Fellow, IEEE, and C. W. Harrison, Jr., Senior Member, IEEE, IEEE Transactions on Antennas and Propagation, vol. AP014, No. 4, Jul. 1966, pp. 440-450 (11 pages).

A Broadband Eccentric Annular Slot Antenna, Young Hoon Suh and Ikmo Park, Department of Electrical Engineering, Ajou University, pp. 94-97, IEEE copyright notice 2001 (4 pages).

A Printed Crescent Patch Antenna for Ultrawideband Applications, Ntsanderh C. Azenui an H.Y.D. Yang, IEEE Antennas and Wireless Propagation Letters, vol. 6, 2007, pp. 113-116 (4 pages).

Design of Compact Components for Ultra Wideband Communication Front Ends, Marek Bialkowski, Amin Abbosh, and Hing Kan, School of Information Technology and Electrical Engineering, The University of Queensland (4 pages).

Office Action issued by the United States Patent and Trademark Office dated Mar. 11, 2010, for U.S. Appl. No. 12/040,464 (18 pages).

Office Action issued by the United States Patent and Trademark Office dated Sep. 3, 2010, for U.S. Appl. No. 12/040,464 (6 pages).

International Search Report issued by the International Searching Authority dated May 26, 2010, for International Patent Application No. PCT/US2009/056128 (2 pages).

Written Opinion issued by the International Searching Authority dated May 26, 2010, for International Patent Application No. PCT/US2009/056128 (7 pages).

International Search Report issued by the International Searching Authority dated Jul. 8, 2008, for International Patent Application No. PCT/US2008/061908 (1 page).

International Preliminary Report on Patentability and Written Opinion issued by the International Searching Authority dated Jul. 8, 2008, for International Patent Application No. PCT/US2008/061908 (9 pages).

Nonfinal Office Action (dated May 25, 2011) from U.S. Appl. No. 12/953,007 which names the same inventor, Corey Feit, but is not related through a priority claim, 6 pages.

Notice of Allowance issued by the United States Patent and Trademark Office dated Jun. 14, 2011, from pending U.S. Appl. No. 12/953,007, which shares a common inventor, Corey Feit, as the instant application (7 pages).

* cited by examiner

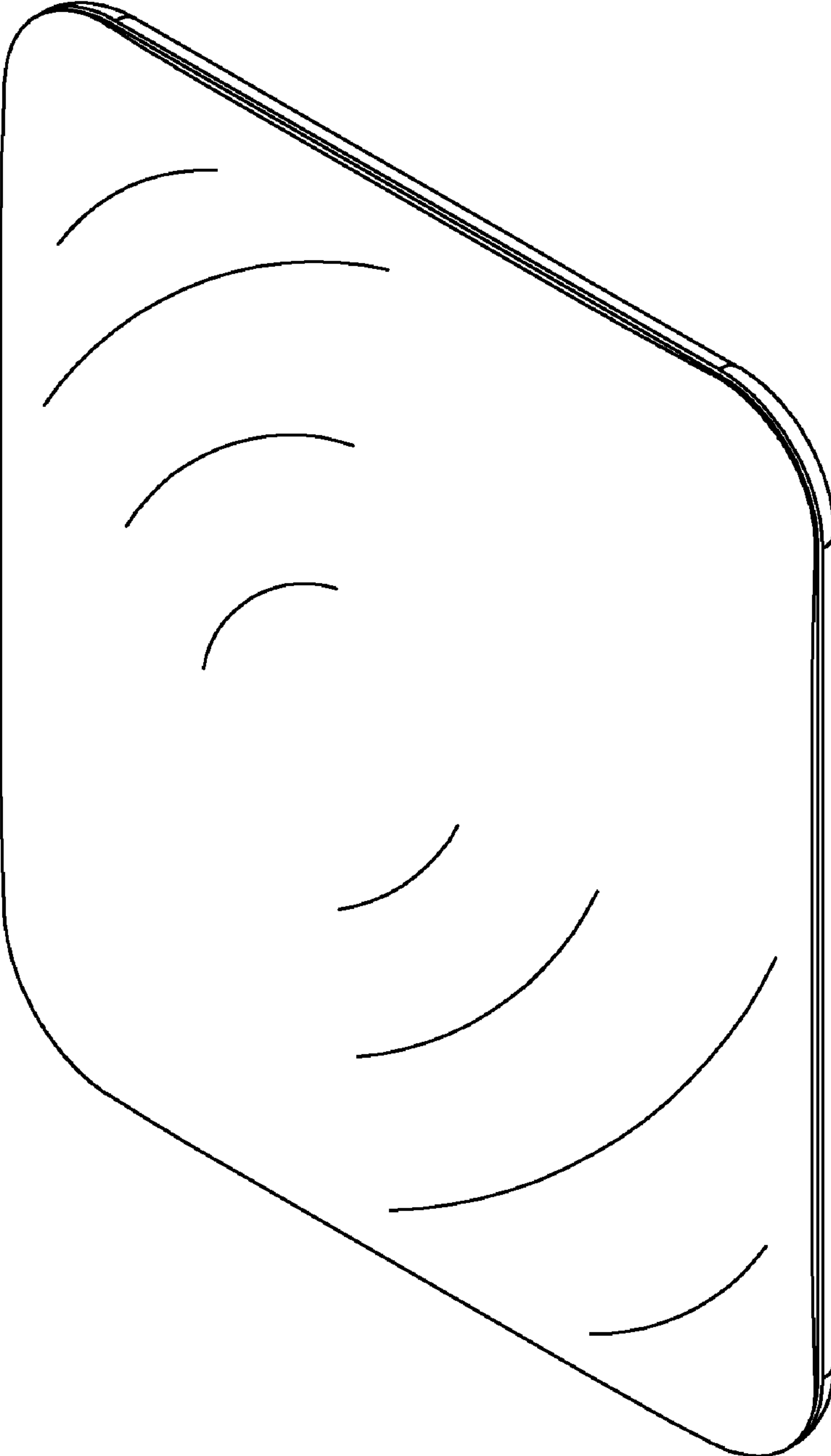


Fig. 1

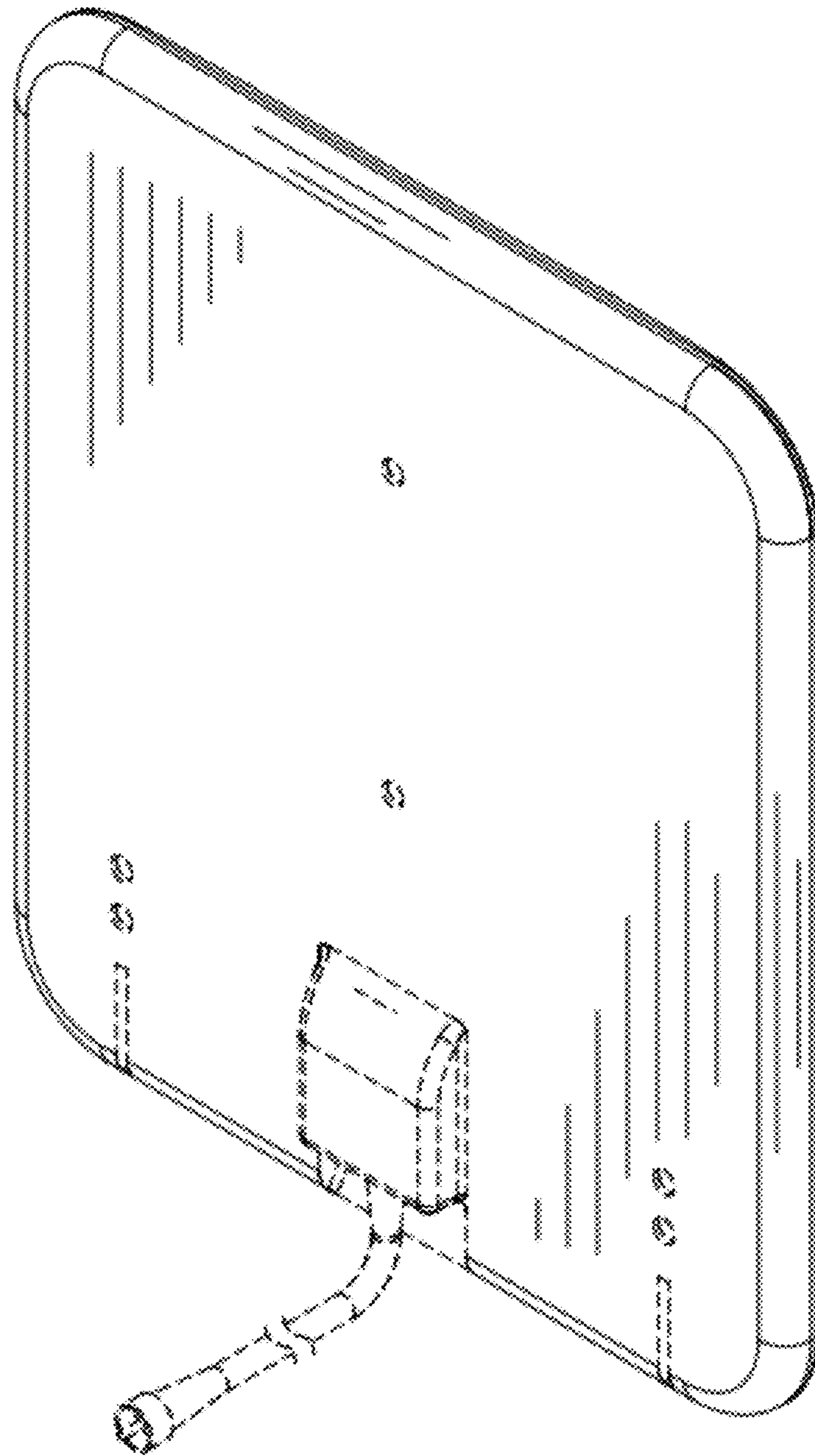


Fig. 2

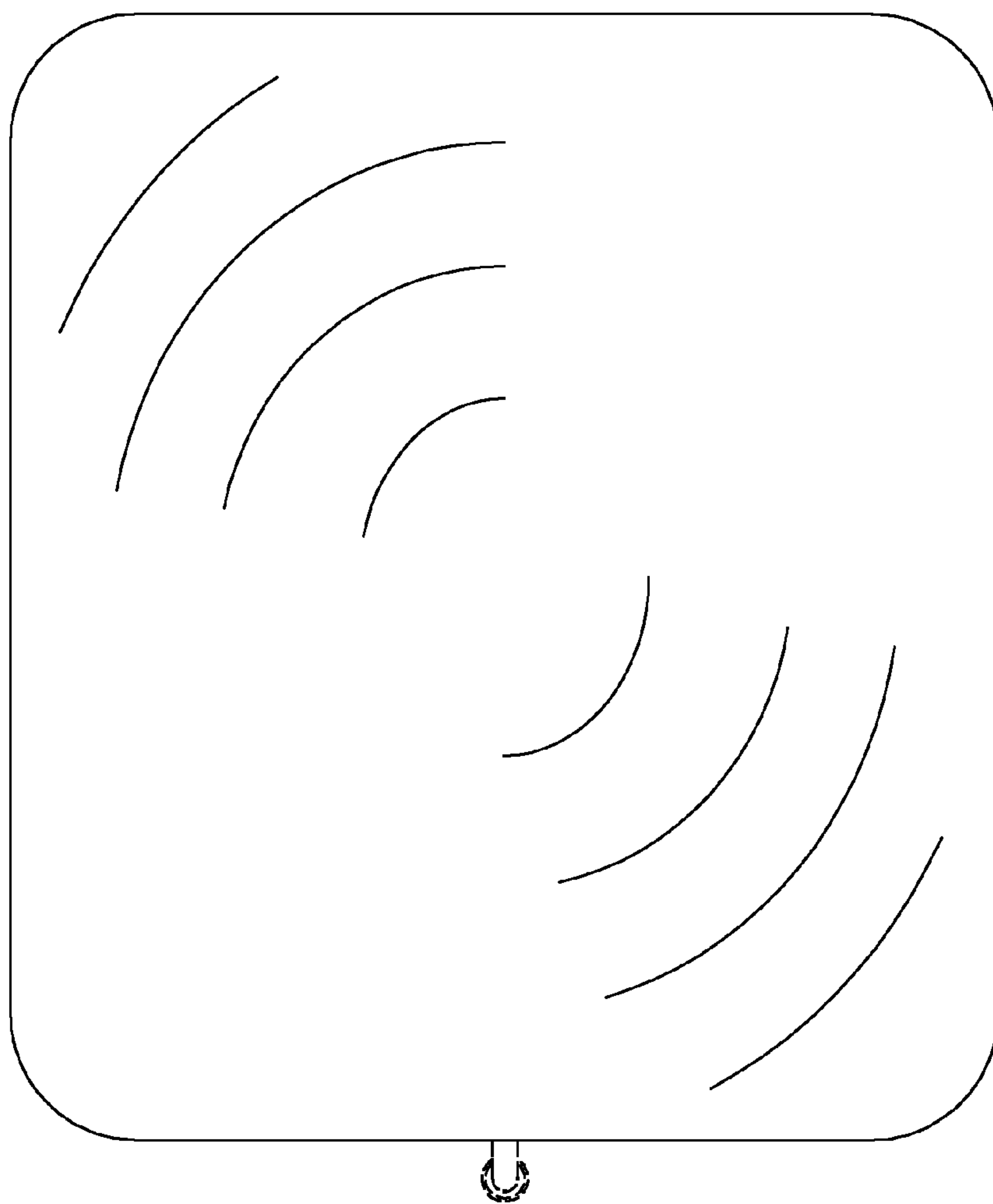


Fig. 3

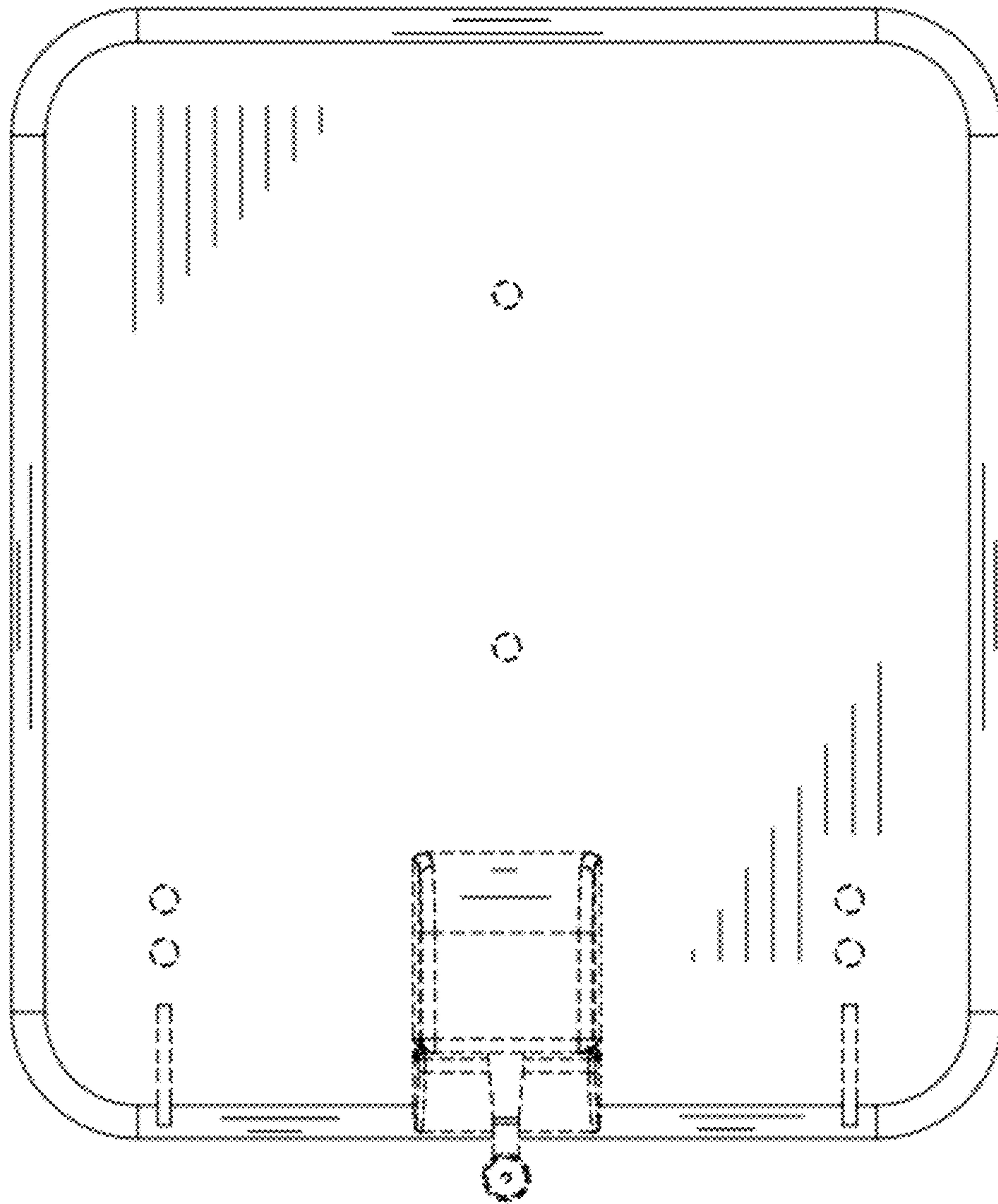


Fig. 4

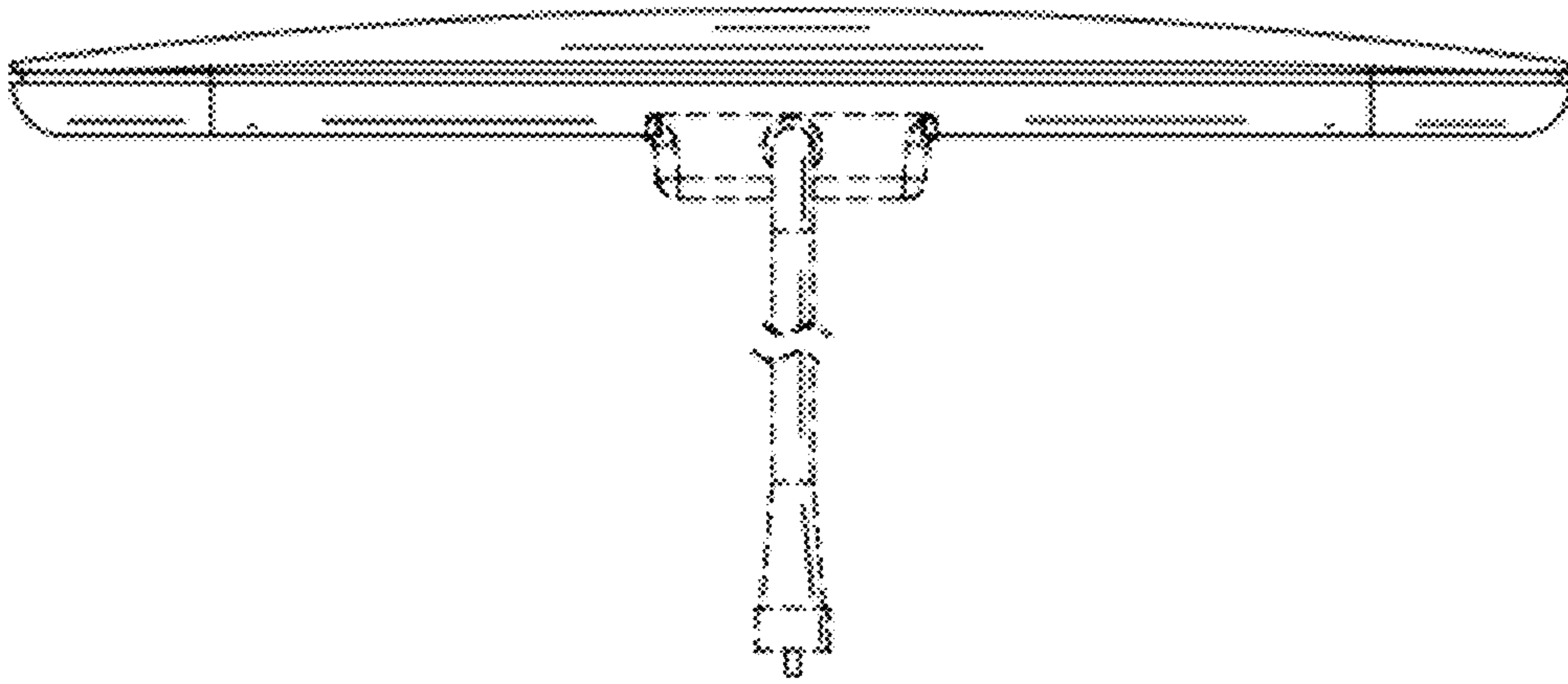


Fig. 5

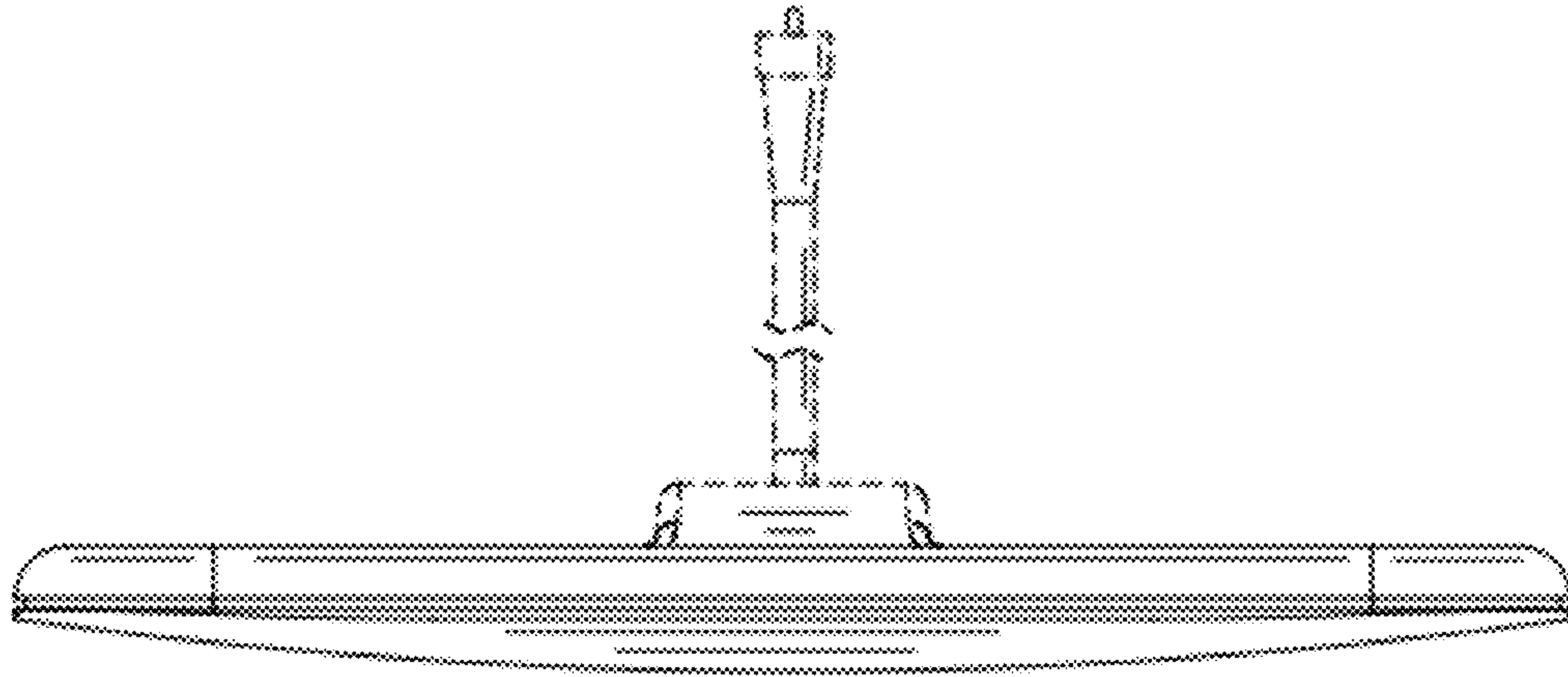


Fig. 6

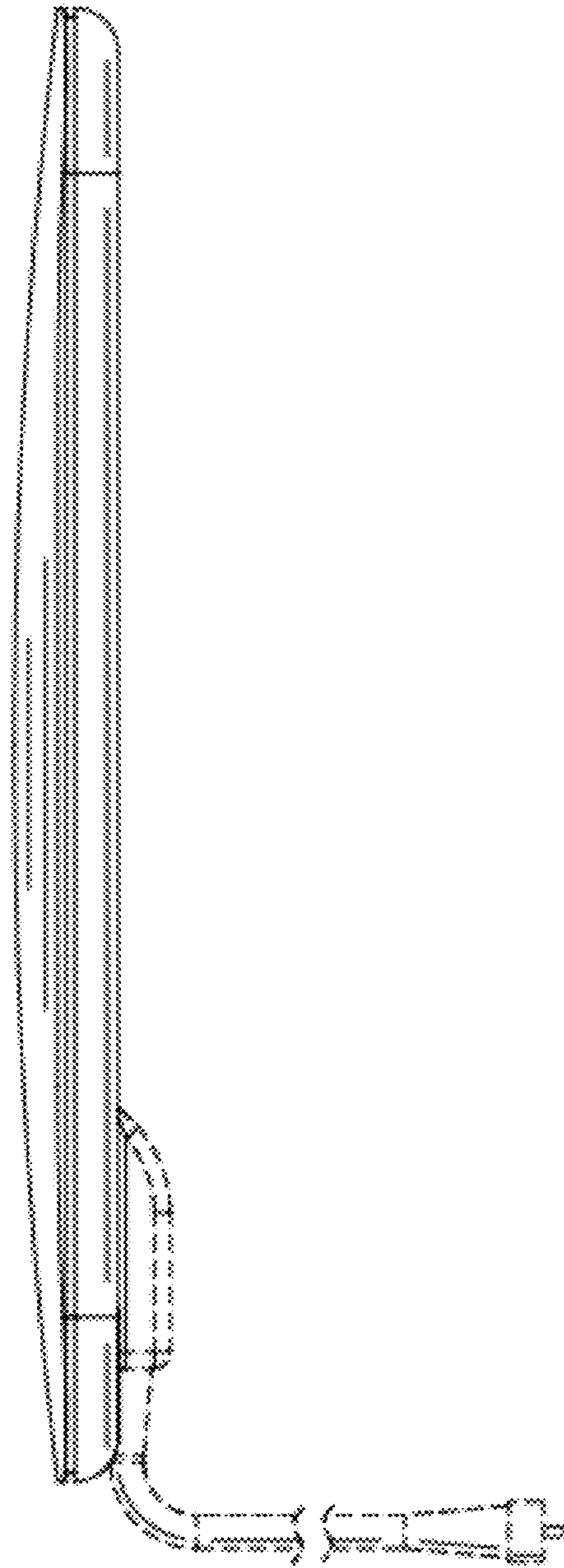


Fig. 7

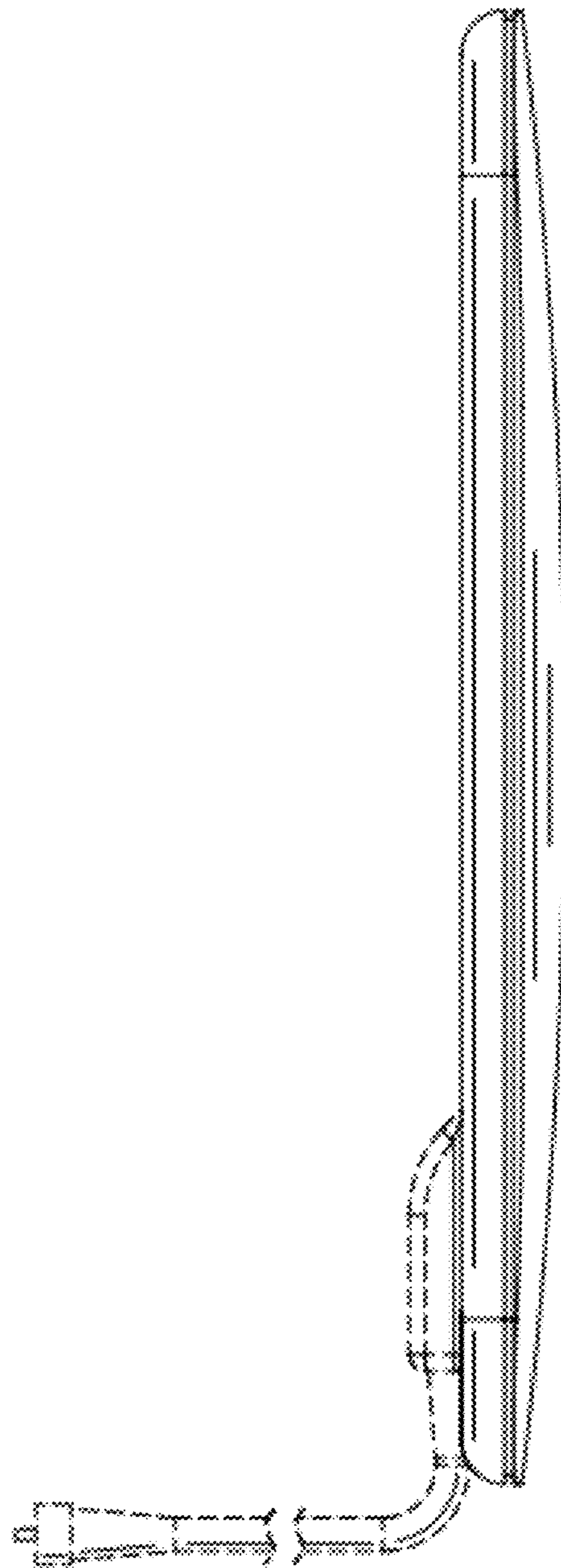


Fig. 8

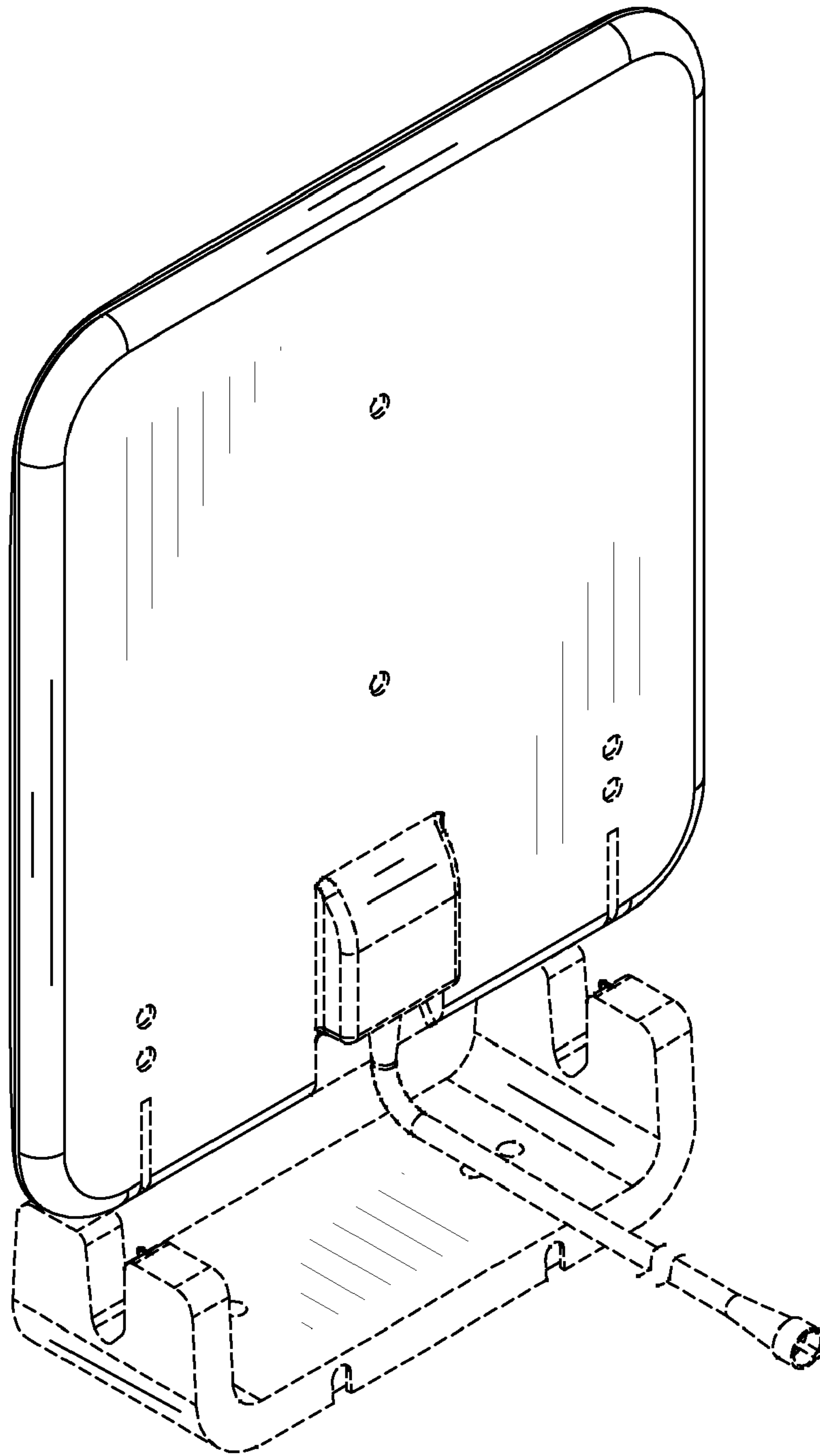


Fig. 9

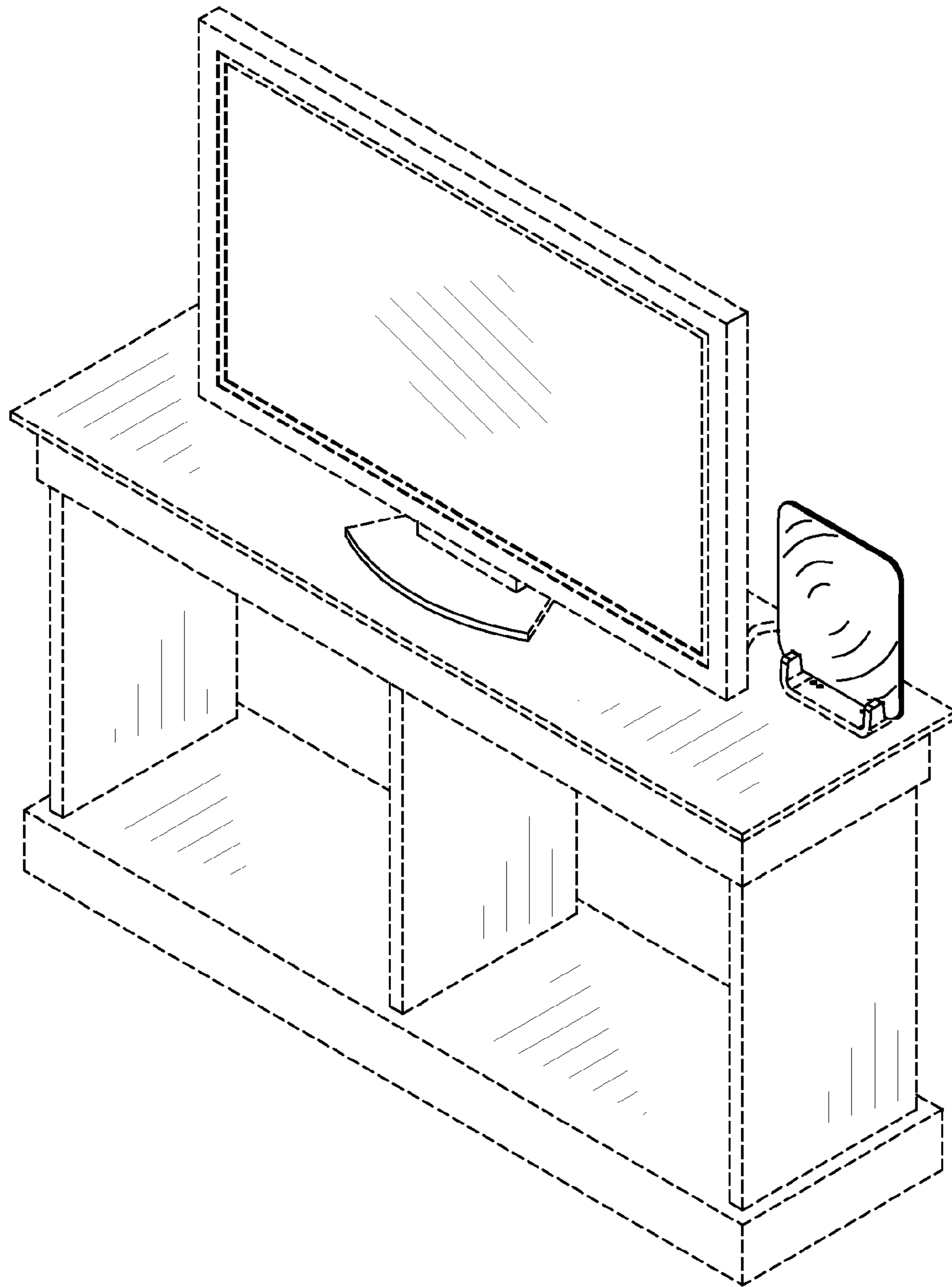


Fig. 10

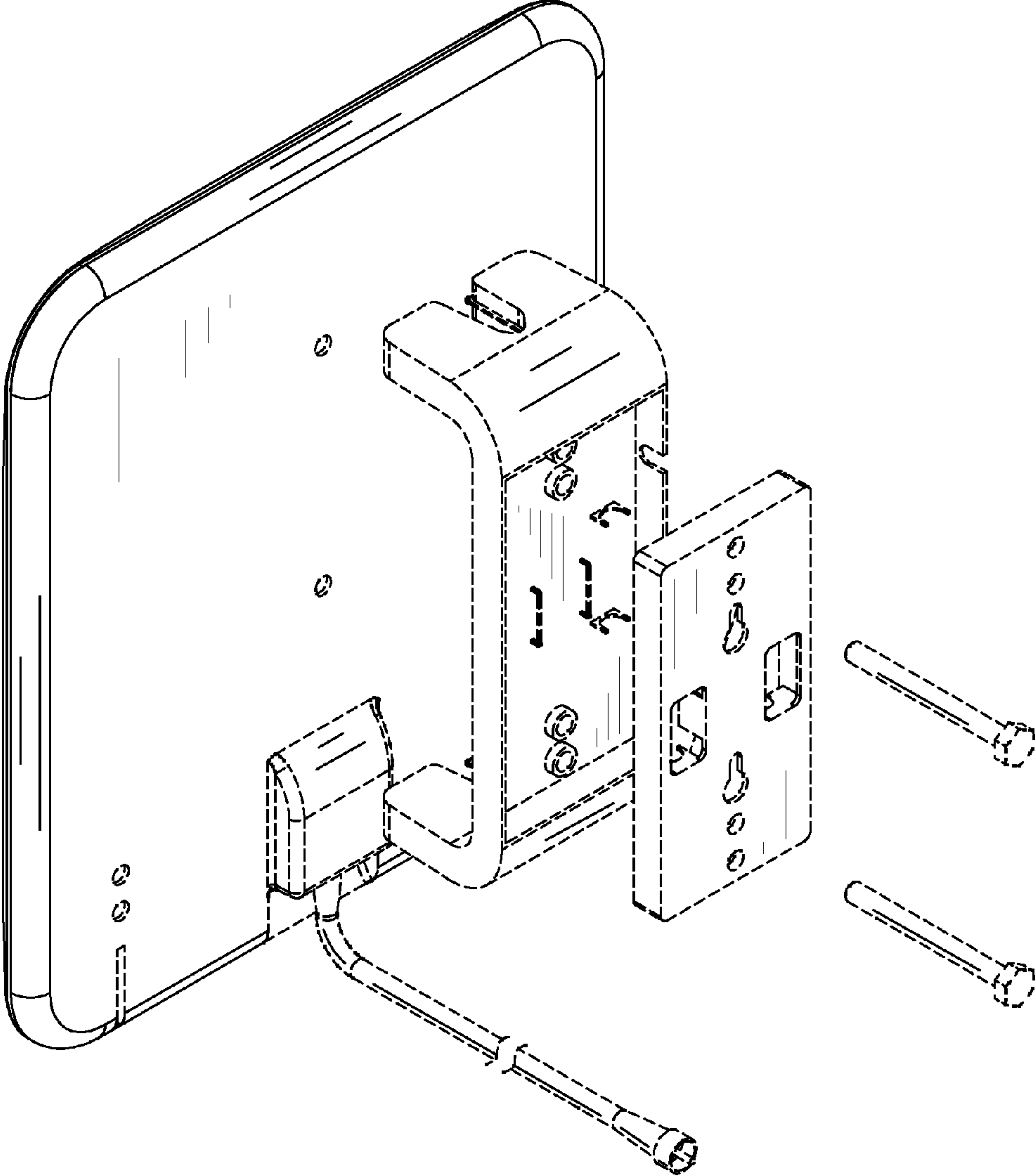


Fig. 11

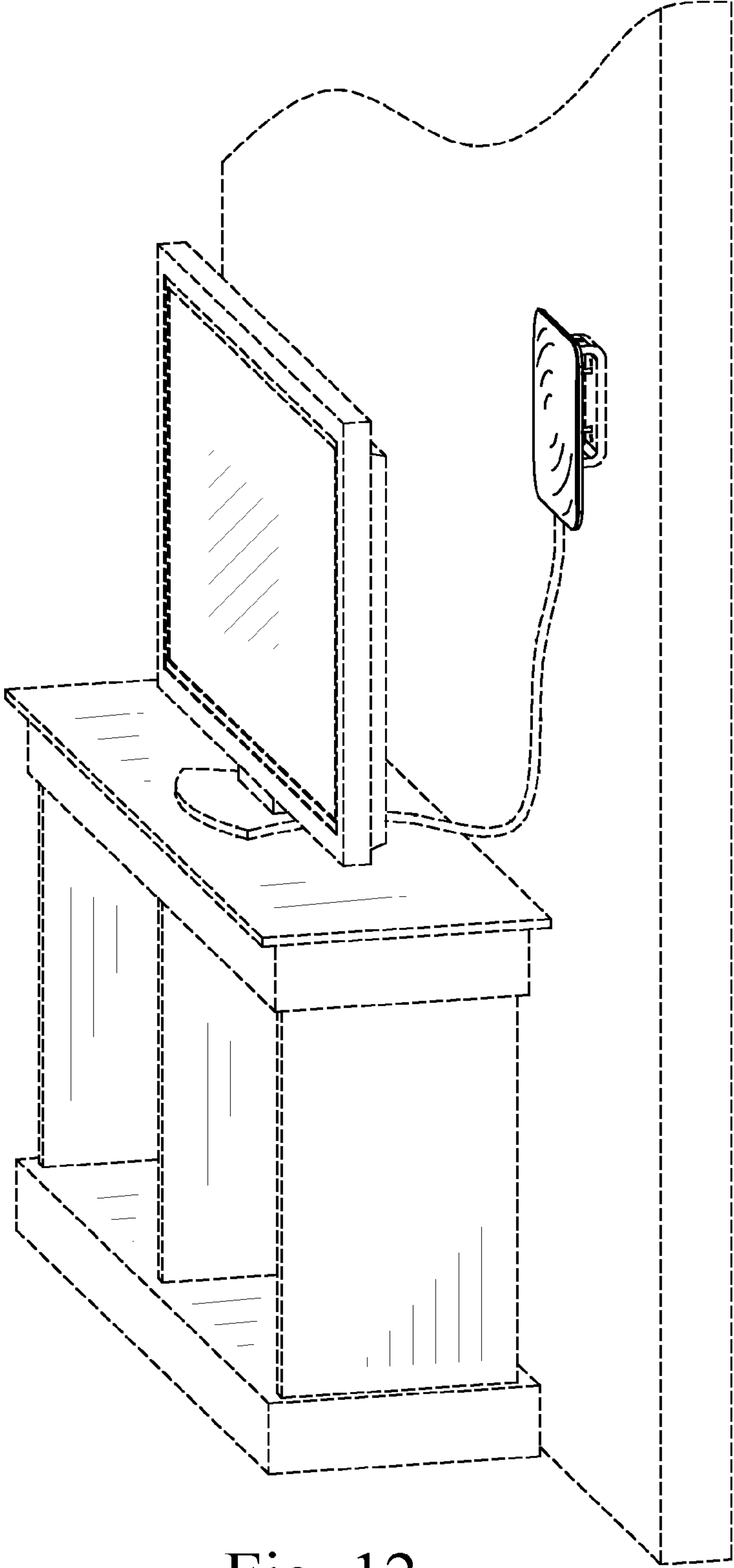


Fig. 12

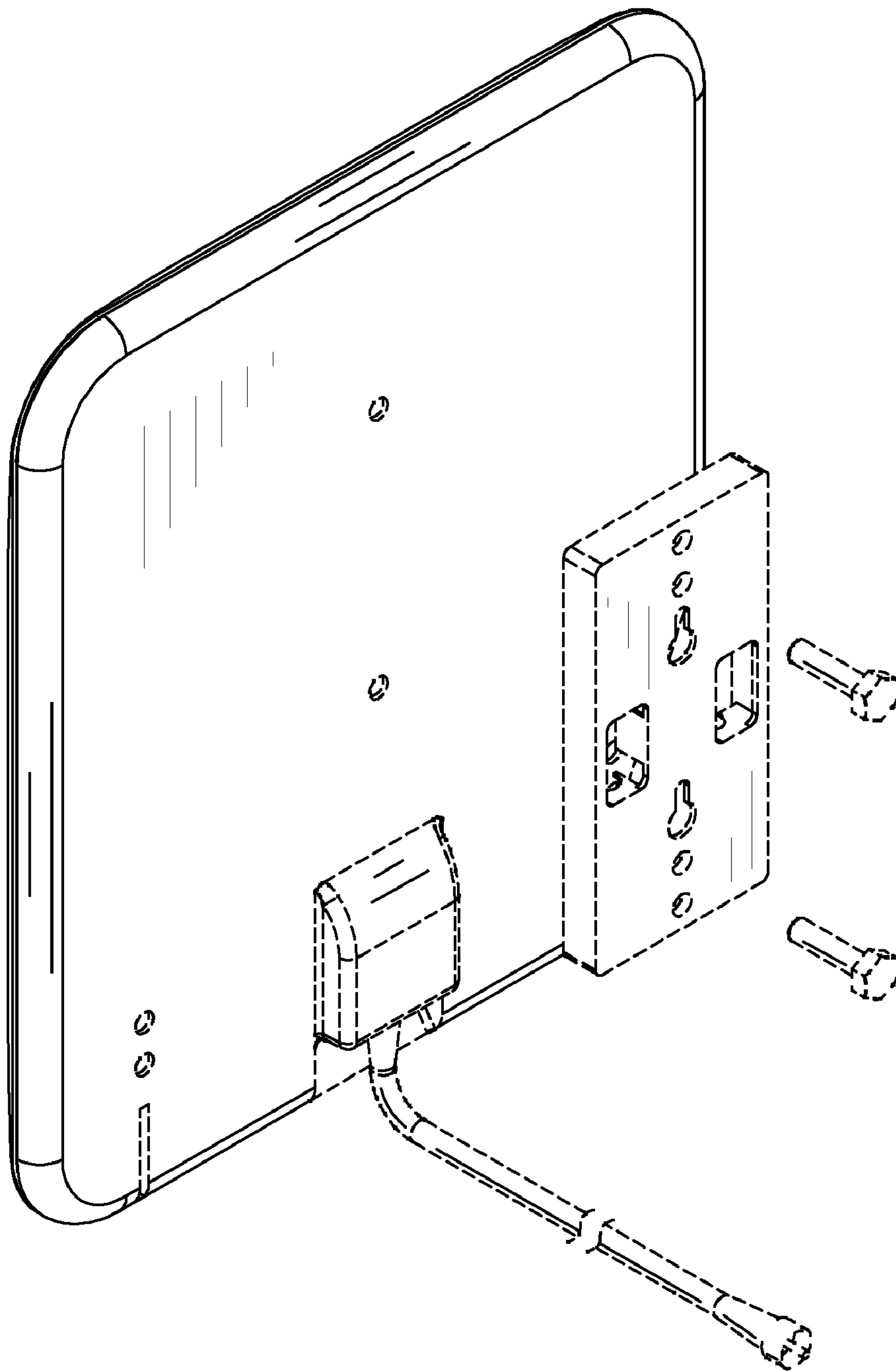


Fig. 13

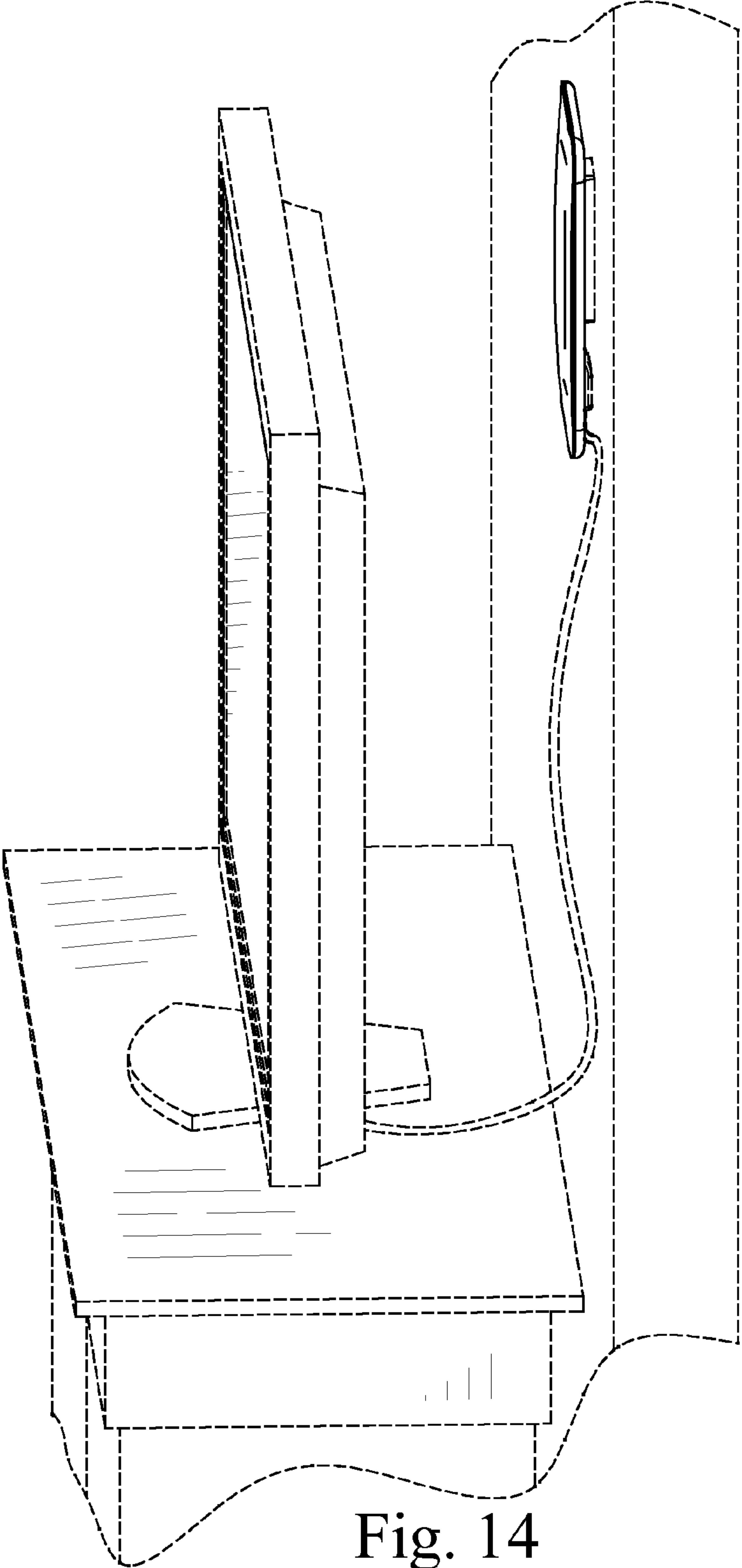


Fig. 14