



US00D664125S

(12) **United States Design Patent**  
**Koch et al.**

(10) **Patent No.:** **US D664,125 S**  
(45) **Date of Patent:** **\*\* Jul. 24, 2012**

(54) **COMMUNICATIONS HEADSET**  
(75) Inventors: **Christophe Koch**, Santa Cruz, CA (US);  
**Casey Peterson**, Scotts Valley, CA (US)  
(73) Assignee: **Plantronics, Inc.**, Santa Cruz, CA (US)  
(\*\*) Term: **14 Years**  
(21) Appl. No.: **29/403,326**  
(22) Filed: **Oct. 4, 2011**  
(51) **LOC (9) Cl.** ..... **14-01**  
(52) **U.S. Cl.** ..... **D14/223**  
(58) **Field of Classification Search** ..... D14/205,  
D14/206, 223; 181/129, 130, 135; 379/430,  
379/431; 381/380, 381; 455/90.3, 575.2  
See application file for complete search history.

D628,194 S \* 11/2010 Koch ..... D14/223  
D628,989 S \* 12/2010 Lee et al. .... D14/223  
D629,396 S \* 12/2010 Andre et al. .... D14/223  
D630,622 S \* 1/2011 Lee et al. .... D14/223  
D633,481 S \* 3/2011 Chen ..... D14/223  
D634,300 S \* 3/2011 Yang et al. .... D14/206  
D636,381 S \* 4/2011 Liner ..... D14/223  
D636,763 S \* 4/2011 Walter ..... D14/223  
D637,184 S \* 5/2011 March ..... D14/223  
D640,242 S \* 6/2011 Fahrendorff et al. .... D14/223  
D641,739 S \* 7/2011 Huang ..... D14/223  
D643,425 S \* 8/2011 Jung et al. .... D14/315  
D645,849 S \* 9/2011 Kim et al. .... D14/223  
D647,513 S \* 10/2011 Ha et al. .... D14/223  
D647,891 S \* 11/2011 Son ..... D14/223  
D649,957 S \* 12/2011 Fahrendorff et al. .... D14/223  
D649,958 S \* 12/2011 Park ..... D14/223  
D649,959 S \* 12/2011 Kim et al. .... D14/223  
D653,649 S \* 2/2012 Yang et al. .... D14/206  
D655,694 S \* 3/2012 Hanks et al. .... D14/223  
D655,695 S \* 3/2012 Hanks et al. .... D14/223  
D656,128 S \* 3/2012 Park ..... D14/223

(Continued)

(56) **References Cited**

U.S. PATENT DOCUMENTS

2,477,698 A \* 8/1949 Little ..... 381/322  
D306,853 S \* 3/1990 Mayo et al. .... D13/168  
D490,070 S \* 5/2004 Lee ..... D14/188  
D500,485 S \* 1/2005 Deguchi ..... D14/480.4  
D535,974 S \* 1/2007 Alwicker et al. .... D14/188  
D538,271 S \* 3/2007 Kim et al. .... D14/223  
D550,215 S \* 9/2007 Udagawa et al. .... D14/223  
D559,836 S \* 1/2008 Lee ..... D14/223  
D579,924 S \* 11/2008 Sade et al. .... D14/223  
D581,396 S \* 11/2008 Wikel et al. .... D14/206  
D581,900 S \* 12/2008 Caddes et al. .... D14/206  
D582,897 S \* 12/2008 Christopher et al. .... D14/223  
D590,377 S \* 4/2009 Bradford ..... D14/223  
D592,227 S \* 5/2009 Oh et al. .... D14/496  
D595,272 S \* 6/2009 Kim et al. .... D14/223  
D596,166 S \* 7/2009 Henning ..... D14/223  
D598,900 S \* 8/2009 Wikel et al. .... D14/223  
D603,378 S \* 11/2009 Paradise ..... D14/223  
D609,695 S \* 2/2010 Cigliano et al. .... D14/205  
D616,873 S \* 6/2010 Olivier ..... D14/223  
D618,221 S \* 6/2010 Fahrendorff et al. .... D14/223  
D624,904 S \* 10/2010 Lim ..... D14/223  
D628,188 S \* 11/2010 Koch ..... D14/205

Primary Examiner — Paula Greene

(74) *Attorney, Agent, or Firm* — Michael D Rodriguez

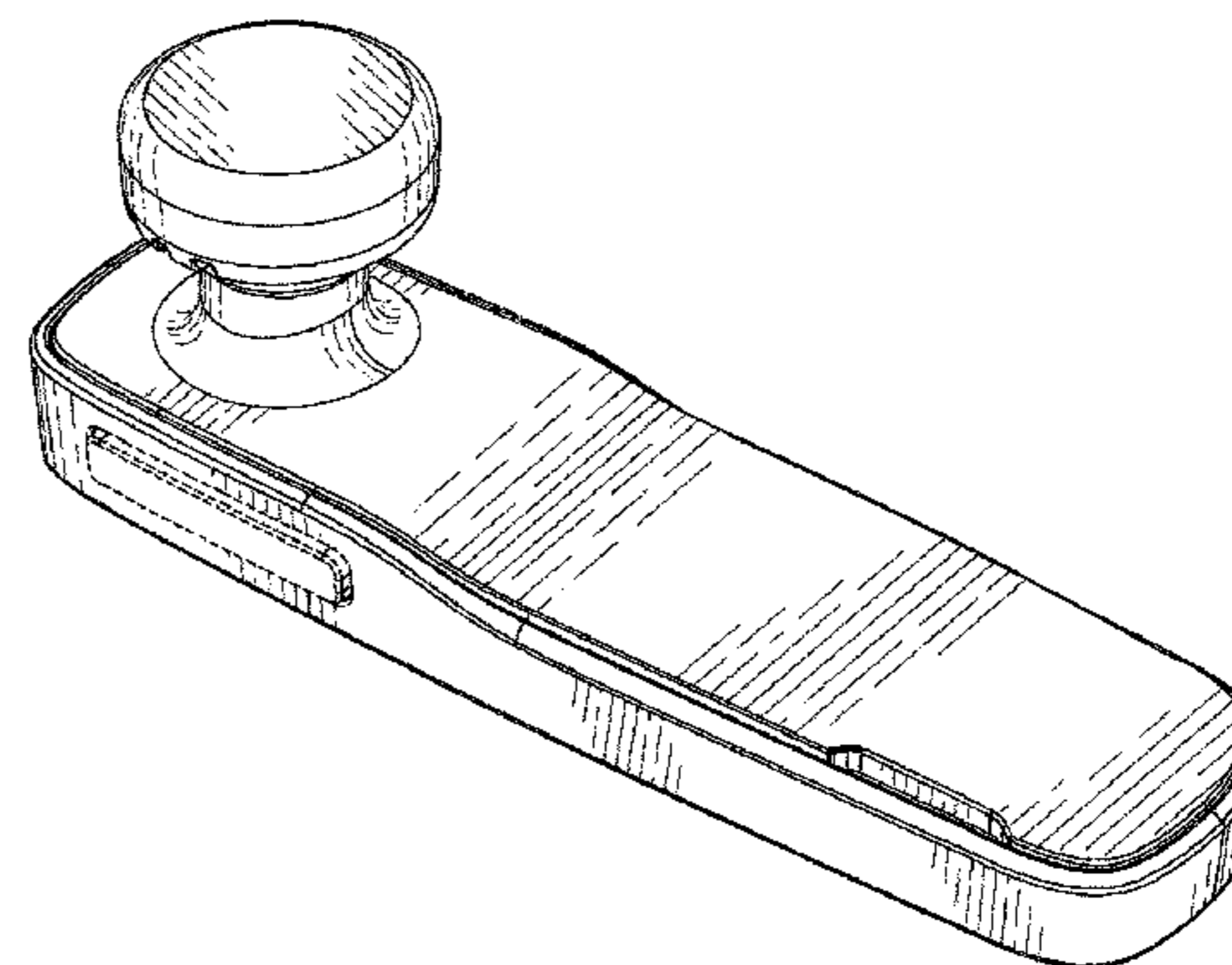
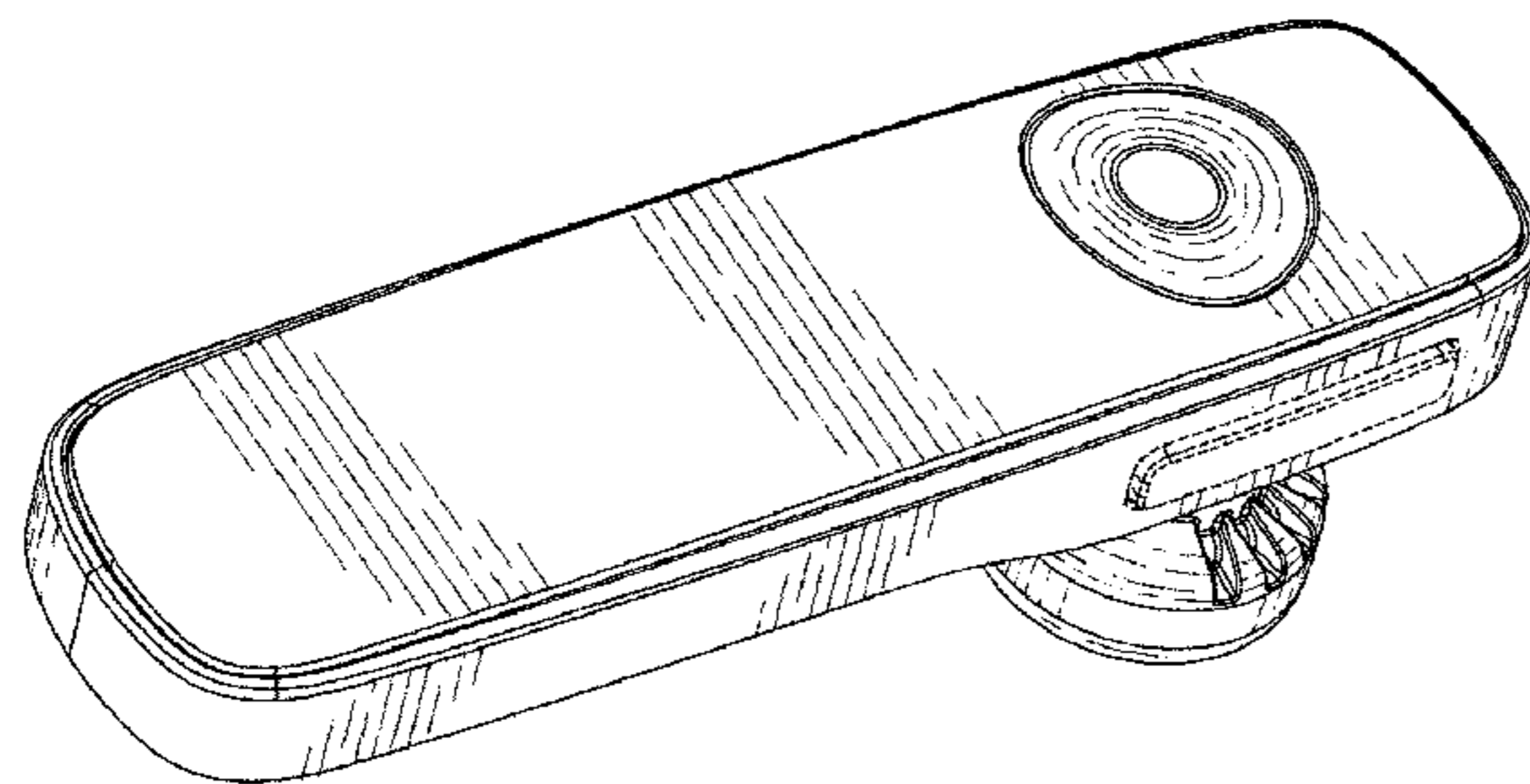
(57) **CLAIM**

The ornamental design for a communications headset, as shown and described.

**DESCRIPTION**

FIG. 1 is a front-top-right perspective view of a communications headset showing my new design;  
FIG. 2 is a front-bottom-right perspective view thereof;  
FIG. 3 is a top view thereof;  
FIG. 4 is a bottom view thereof;  
FIG. 5 is a left view thereof;  
FIG. 6 is a right side view thereof;  
FIG. 7 is a front side view thereof; and,  
FIG. 8 is back side view thereof.  
The broken lines showing of the unclaimed environment forms no part of the claimed design.

**1 Claim, 4 Drawing Sheets**



# US D664,125 S

Page 2

---

## U.S. PATENT DOCUMENTS

D656,490 S *	3/2012	Birger .....	D14/223	D659,682 S *	5/2012	Cheng .....	D14/223
D657,781 S *	4/2012	Yang .....	D14/223	D661,283 S *	6/2012	Huang .....	D14/223

\* cited by examiner

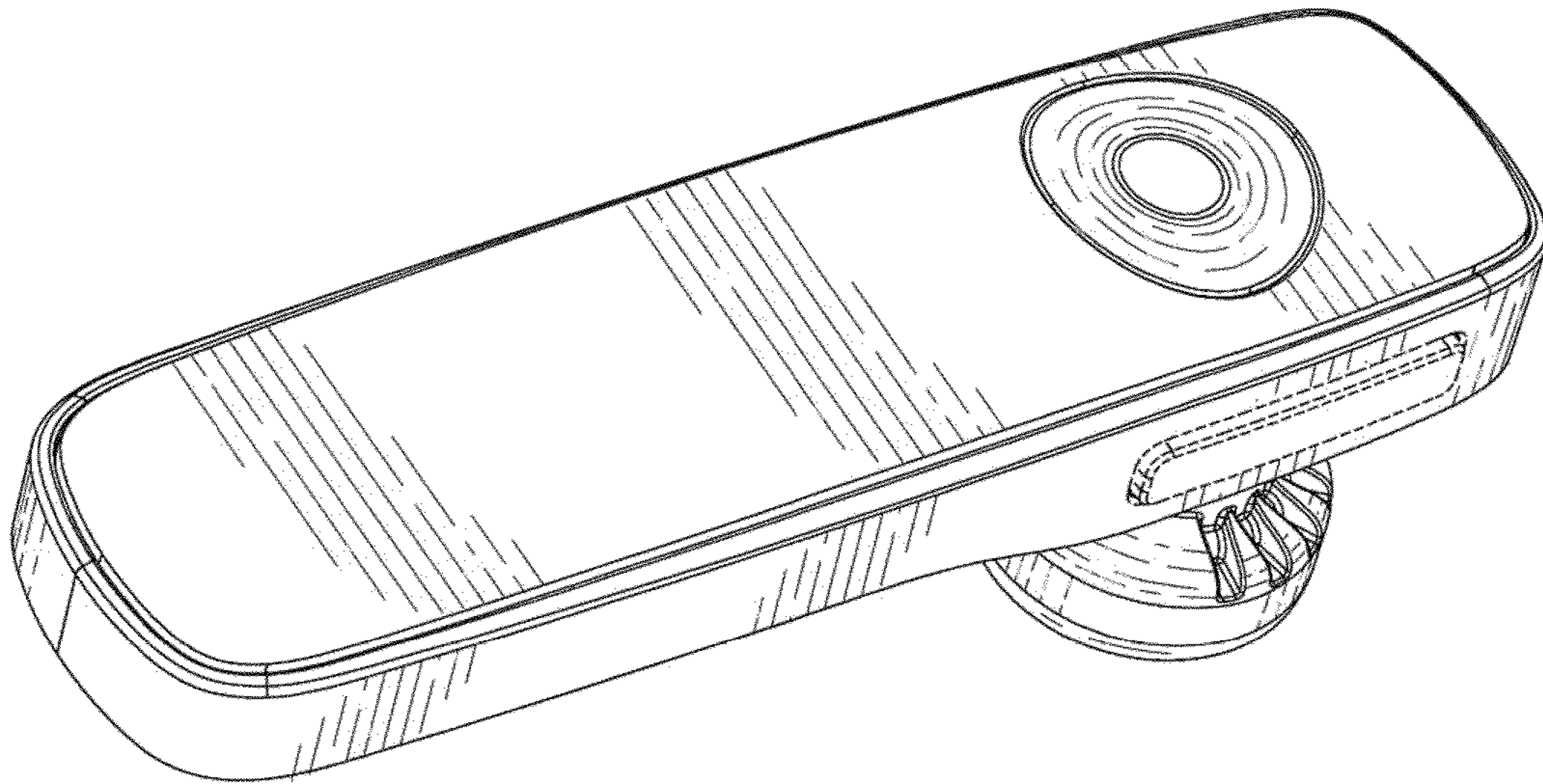


FIG. 1

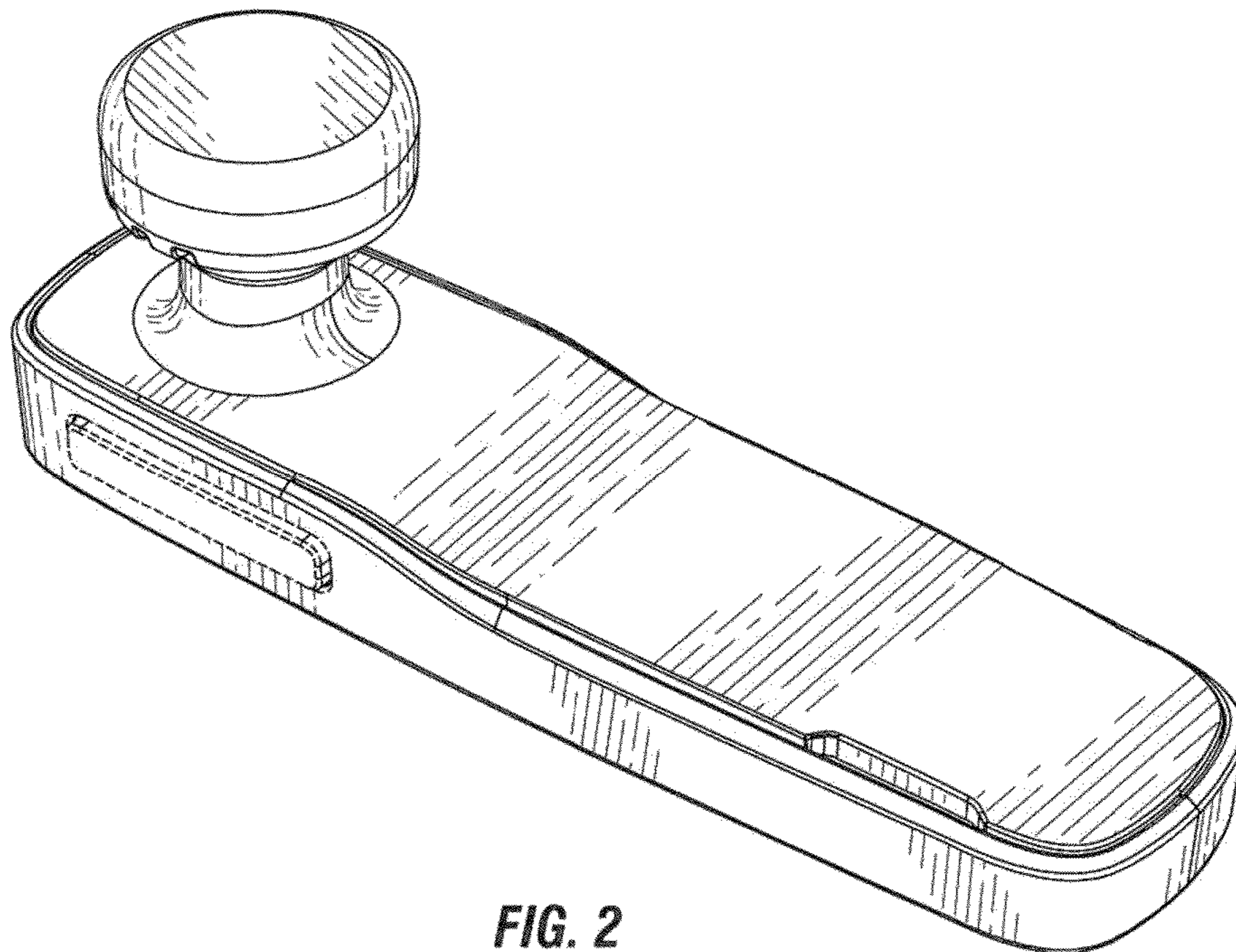
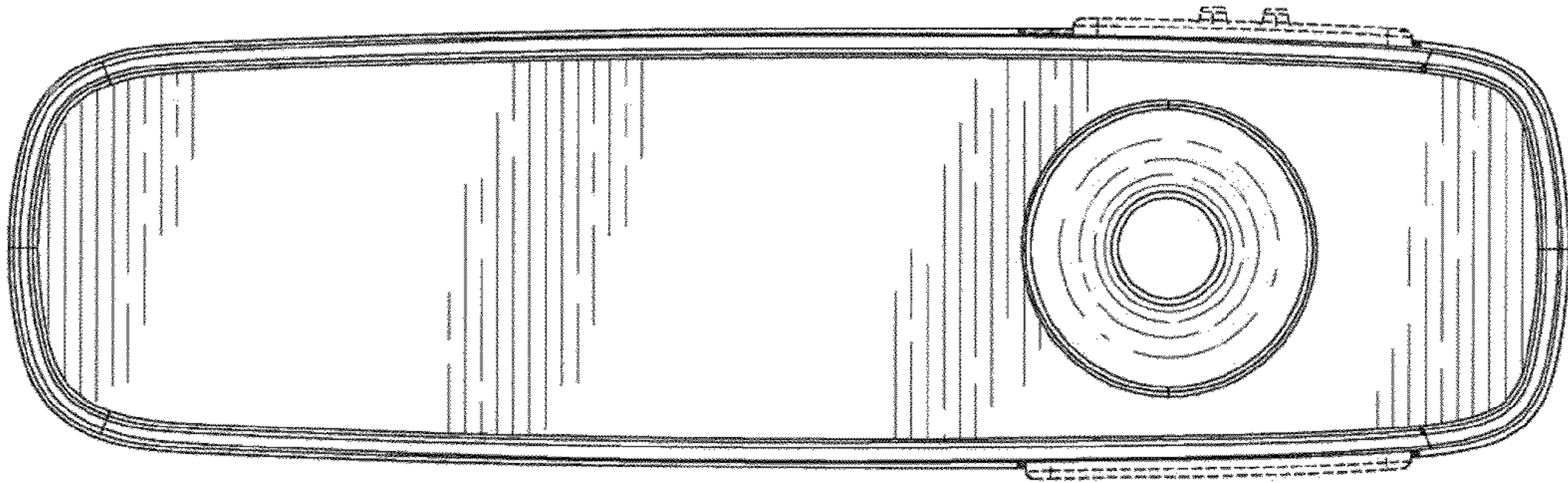
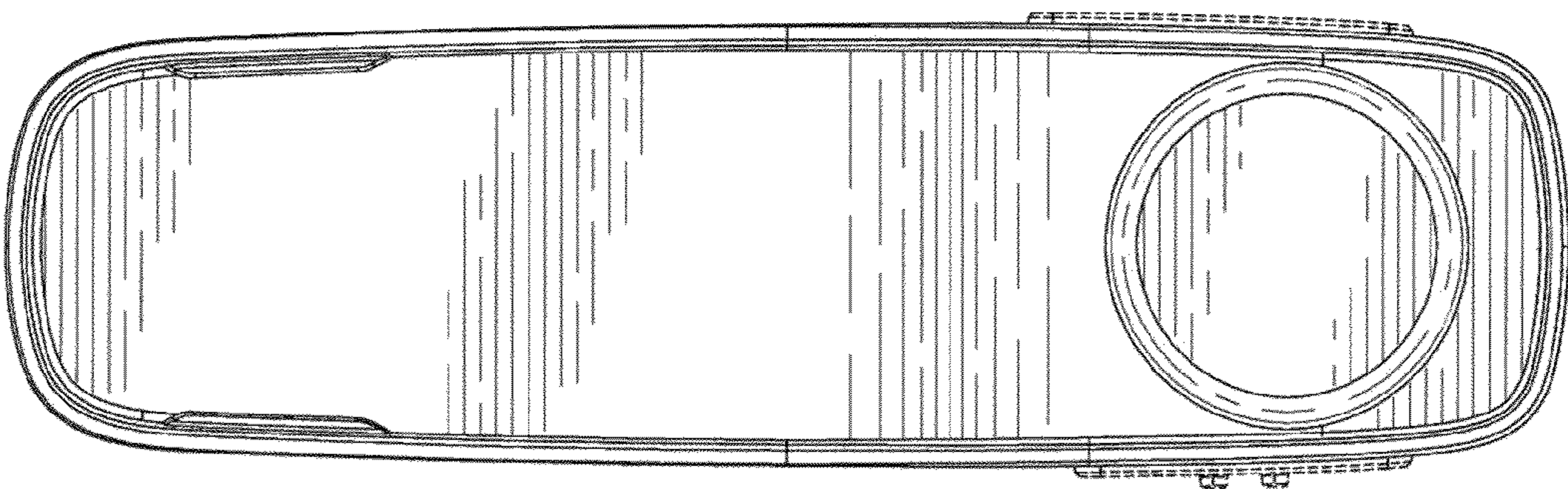


FIG. 2



**FIG. 3**



**FIG. 4**

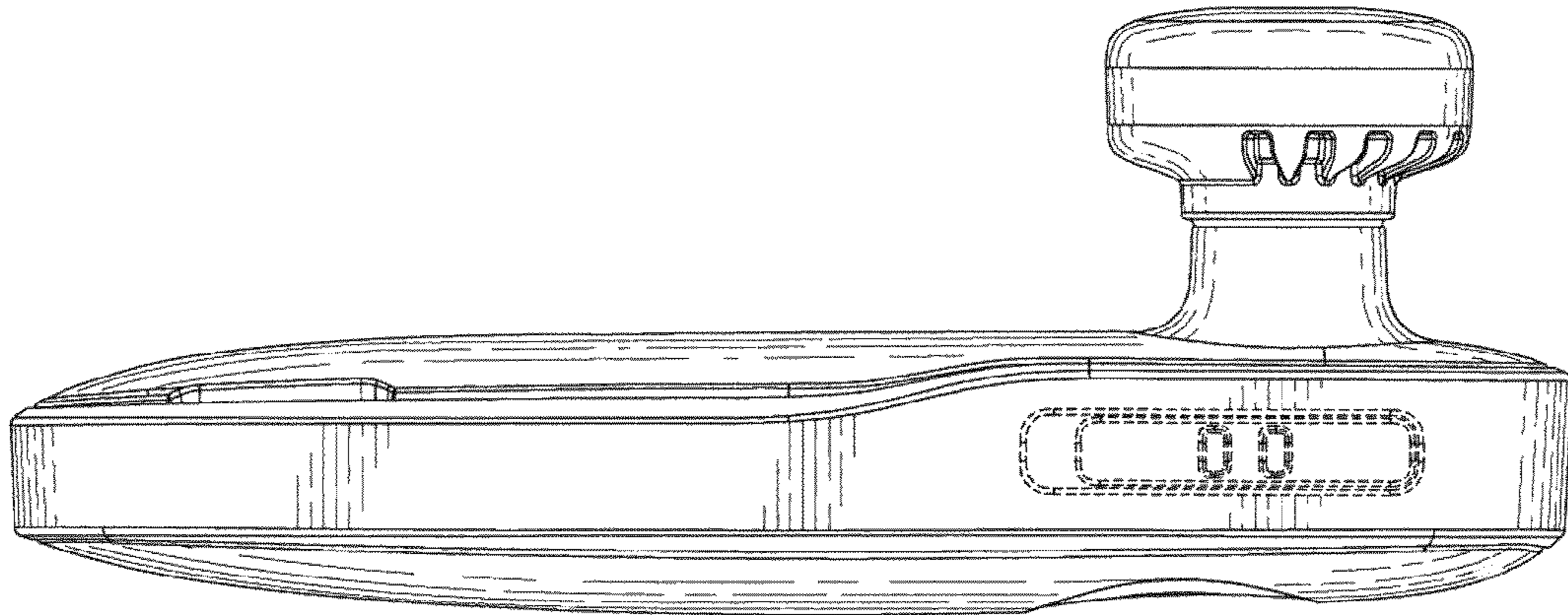


FIG. 5

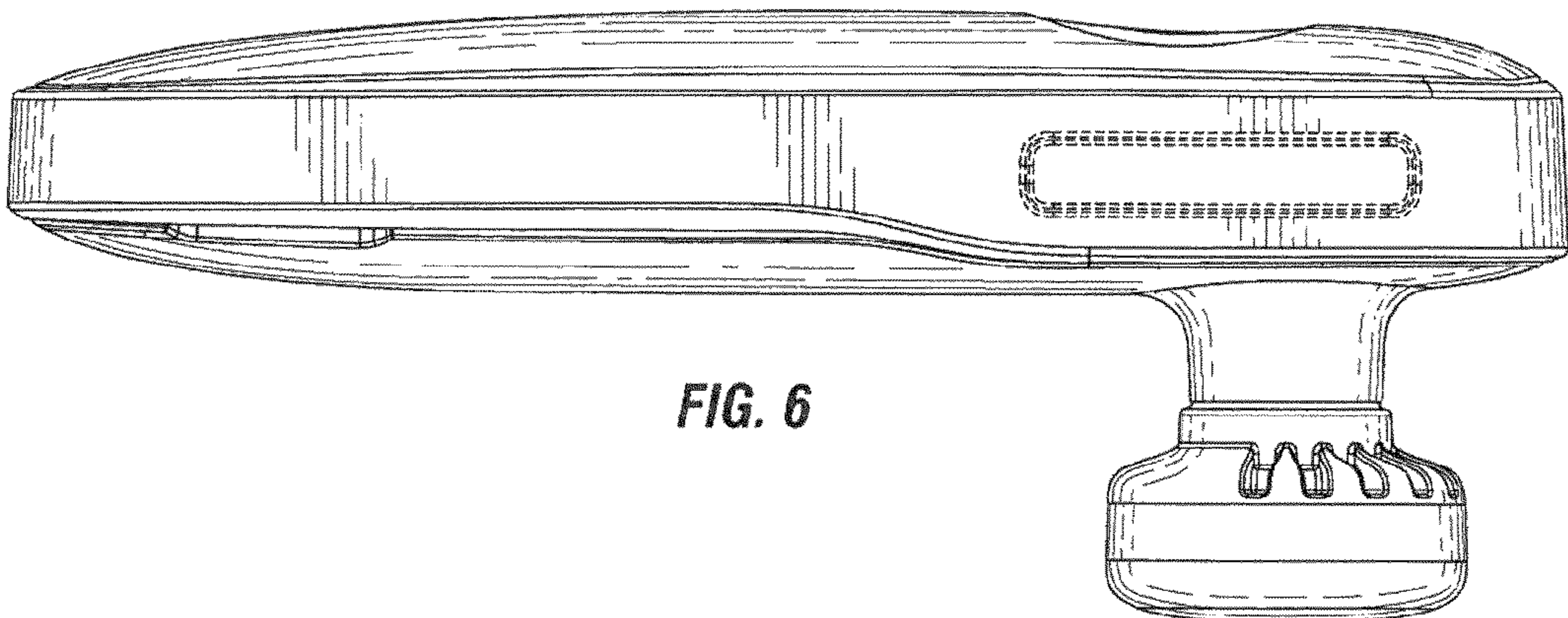
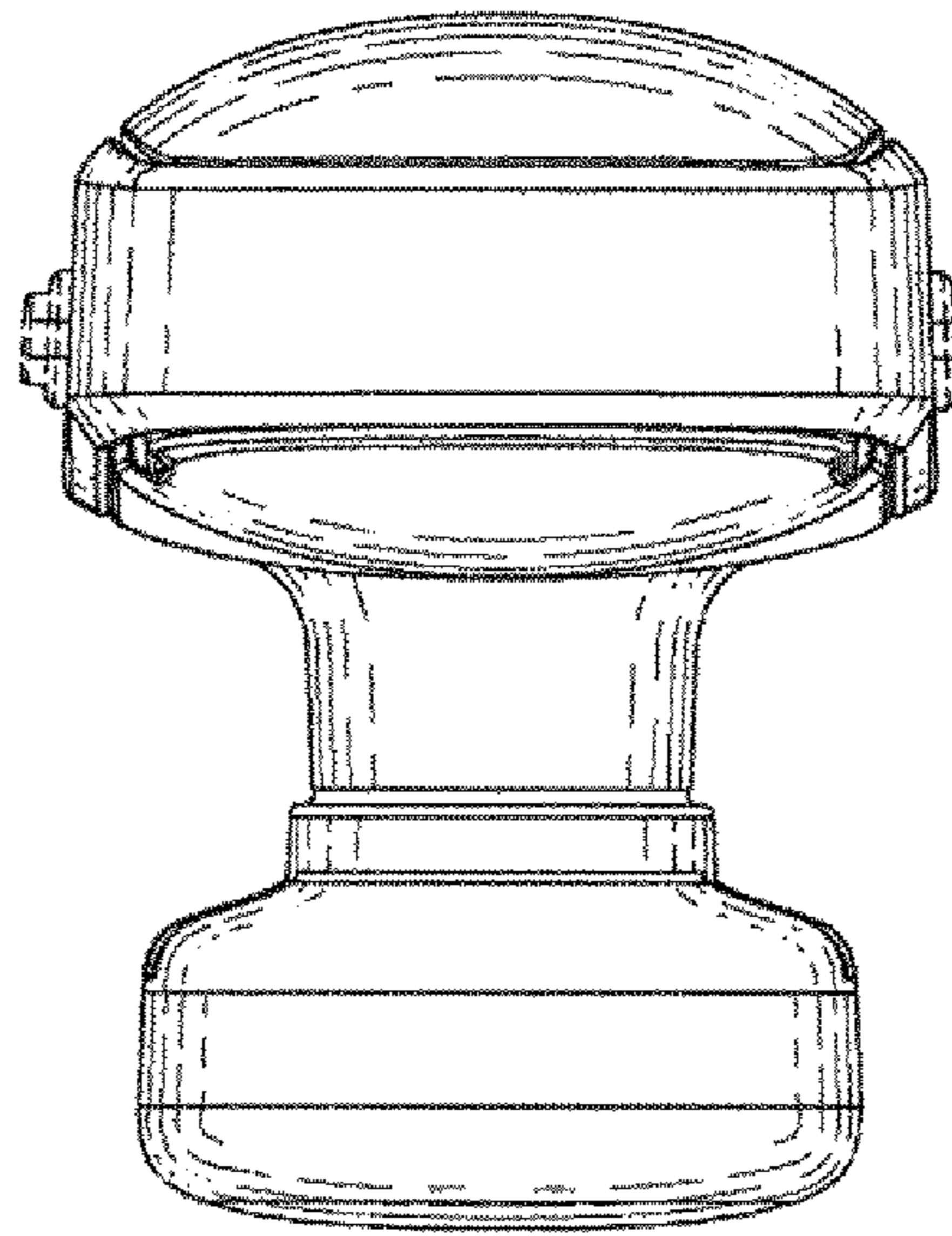
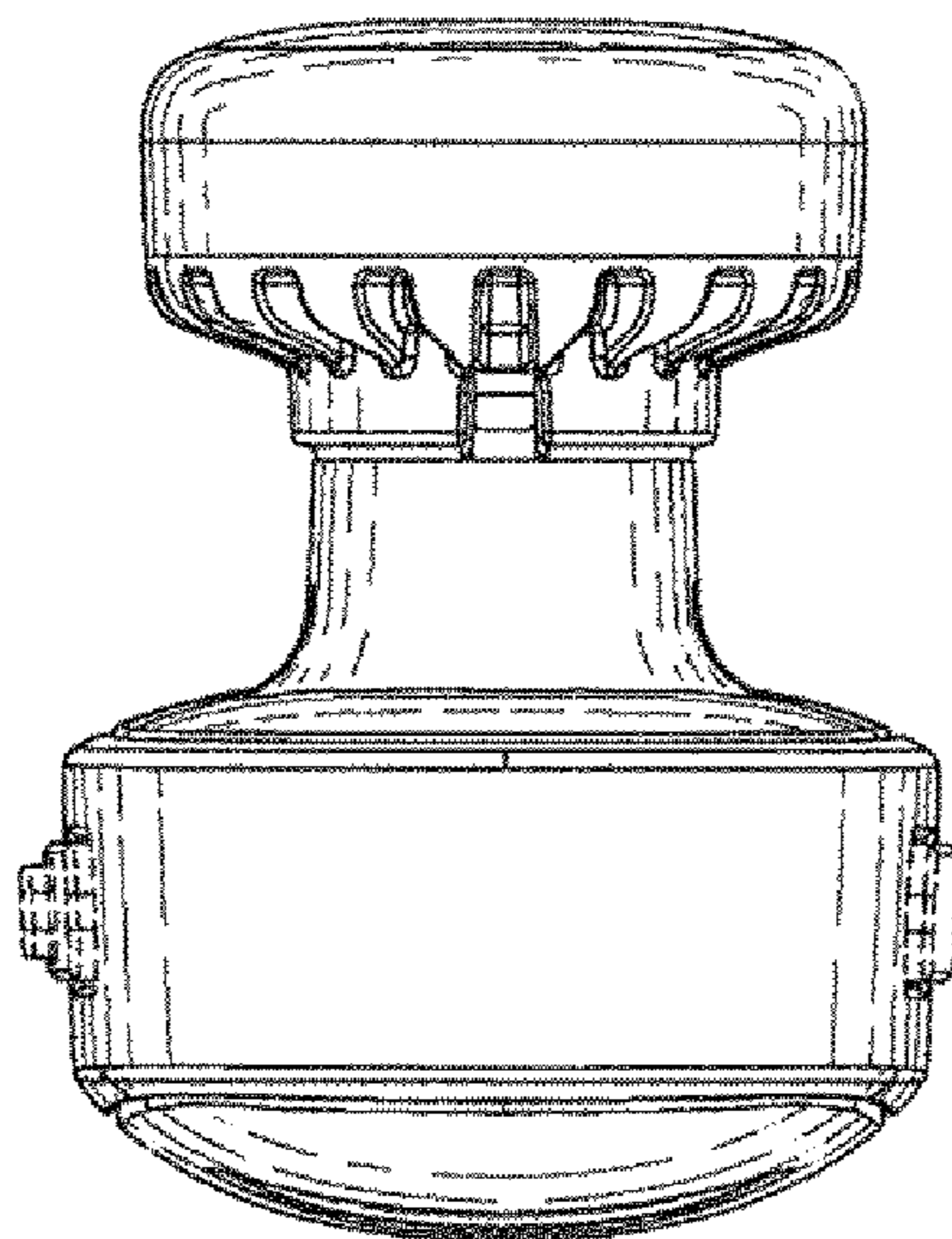


FIG. 6



**FIG. 7**



**FIG. 8**