



US00D664124S

(12) **United States Design Patent**  
**Smith et al.**

(10) **Patent No.:** **US D664,124 S**  
(45) **Date of Patent:** **\*\* Jul. 24, 2012**

- (54) **EARPIECE**
- (75) Inventors: **Richard C. Smith**, Costa Mesa, CA (US); **Diann Y. Smith**, Costa Mesa, CA (US)
- (73) Assignee: **SureFire, LLC**, Fountain Valley, CA (US)
- (\*\*) Term: **14 Years**
- (21) Appl. No.: **29/398,787**
- (22) Filed: **Aug. 4, 2011**
- (51) **LOC (9) Cl.** ..... **14-01**
- (52) **U.S. Cl.** ..... **D14/223**
- (58) **Field of Classification Search** ..... D14/205, D14/206, 223, 192; 181/129, 130, 135; 379/430, 379/431; 128/864, 866, 867; D24/106, 174; 381/322, 328, 380, 381  
See application file for complete search history.

(56) **References Cited**

U.S. PATENT DOCUMENTS

D388,093	S	*	12/1997	Frengley	.....	D14/223
D469,755	S	*	2/2003	Hlas et al.	.....	D14/223
D470,122	S	*	2/2003	Hlas et al.	.....	D14/205
D471,537	S	*	3/2003	Ham	.....	D14/223
D523,845	S	*	6/2006	Smith et al.	.....	D14/205
D565,024	S	*	3/2008	Kim et al.	.....	D14/205
D576,610	S	*	9/2008	Johnson	.....	D14/223
D585,429	S	*	1/2009	Dean	.....	D14/223
D585,881	S	*	2/2009	Nam et al.	.....	D14/223
D618,218	S	*	6/2010	Burgett et al.	.....	D14/223

(Continued)

*Primary Examiner* — Paula Greene

(74) *Attorney, Agent, or Firm* — Haynes and Boone, LLP

(57) **CLAIM**

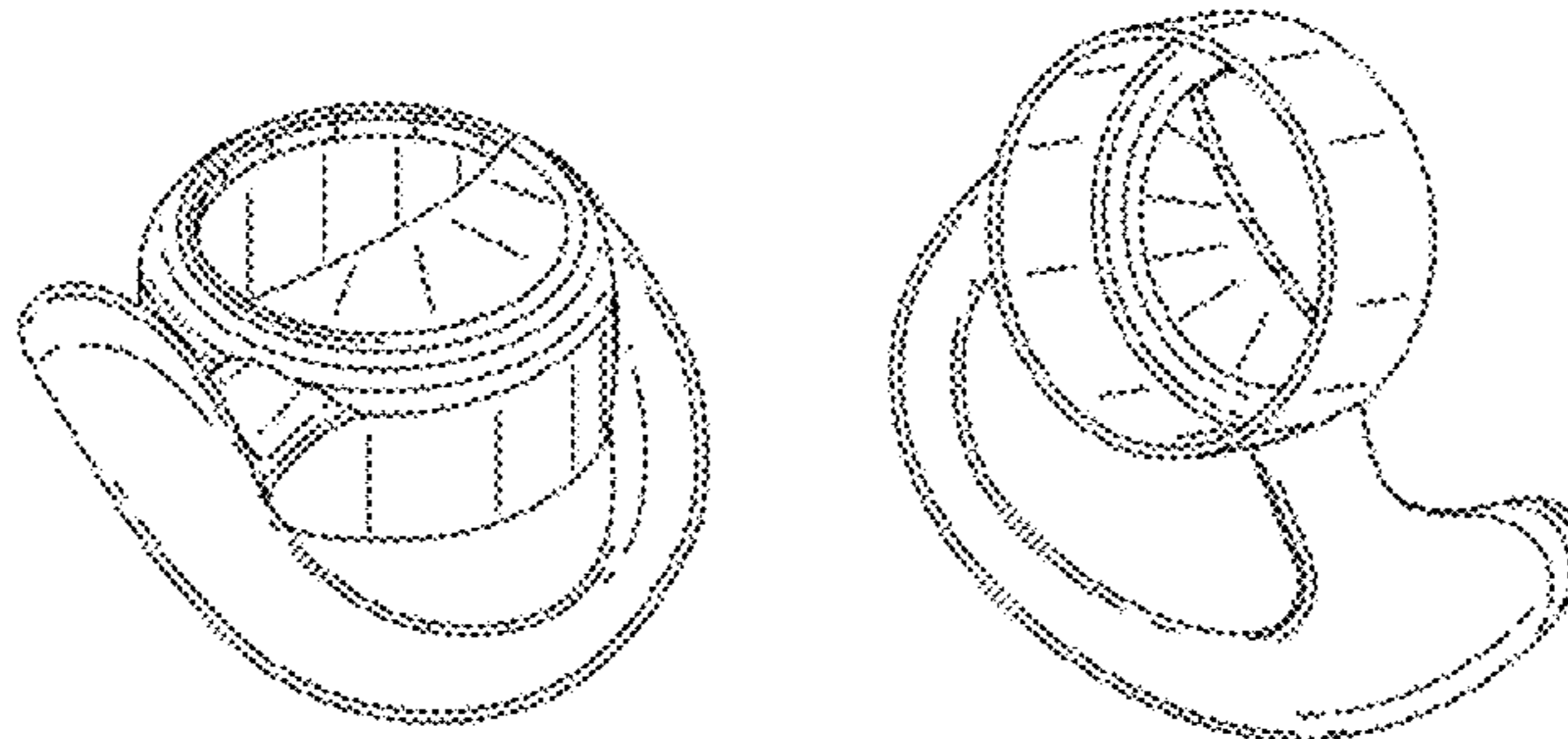
The ornamental design for an earpiece, as shown and described.

**DESCRIPTION**

FIG. 1 is a front-left-bottom perspective view of an earpiece showing our new design;

FIG. 2 is a front-left-top perspective view thereof;  
 FIG. 3 is a rear-left-top perspective view thereof;  
 FIG. 4 is a rear plan view thereof.  
 FIG. 5 is a front plan view thereof.  
 FIG. 6 is a left side elevational view thereof;  
 FIG. 7 is a right side elevational view thereof;  
 FIG. 8 is a top side elevational view thereof; and  
 FIG. 9 is a bottom side elevational view thereof.  
 FIG. 10 is a front-left-top perspective view of an example attachment, shown in broken lines, to the earpiece;  
 FIG. 11 is a front right top perspective view of an example attachment shown in broken lines thereof;  
 FIG. 12 is a left side elevational view of the example attachment thereof;  
 FIG. 13 is a front plan view of the example attachment thereof;  
 FIG. 14 is a rear plan view of the example attachment thereof;  
 FIG. 15 is another front left bottom perspective view of the earpiece along with a portion of a front left top perspective view of an example attachment shown in broken lines;  
 FIG. 16 is a bottom side elevational view of the earpiece along with a portion of a left side elevational view of the example attachment coupled thereto; and,  
 FIG. 17 is a front plan view of the earpiece along with a portion of front plan view of the example attachment coupled thereto.  
 The attachment in FIGS. 10-17 may represent a portion of a communication cable, a wireless telecommunications device (e.g., a wireless audio headphone or a Bluetooth® headset with headphone and microphone), an audio headphone (e.g., an earbud), an earplug, or other type of device configured to mate with the earpiece.  
 The broken lines in FIGS. 1-17 are shown for the purpose of illustrating environmental matters and form no part of the claimed design.

**1 Claim, 8 Drawing Sheets**



# US D664,124 S

Page 2

---

## U.S. PATENT DOCUMENTS

D618,219 S *	6/2010	Burgett et al. ....	D14/223	7,949,127 B2 *	5/2011	Pedersen et al. ....	379/430
D621,817 S *	8/2010	Brickstad .....	D14/223	D641,737 S *	7/2011	Krauss et al. ....	D14/223
D622,704 S *	8/2010	Fahrendorff et al. ....	D14/223	D645,458 S *	9/2011	Silvestri et al. ....	D14/223
D622,705 S *	8/2010	Fahrendorff et al. ....	D14/223	D647,514 S *	10/2011	Wikel et al. ....	D14/223
D638,398 S *	5/2011	Morison .....	D14/205	8,111,864 B2 *	2/2012	Oliveira et al. ....	381/381

\* cited by examiner

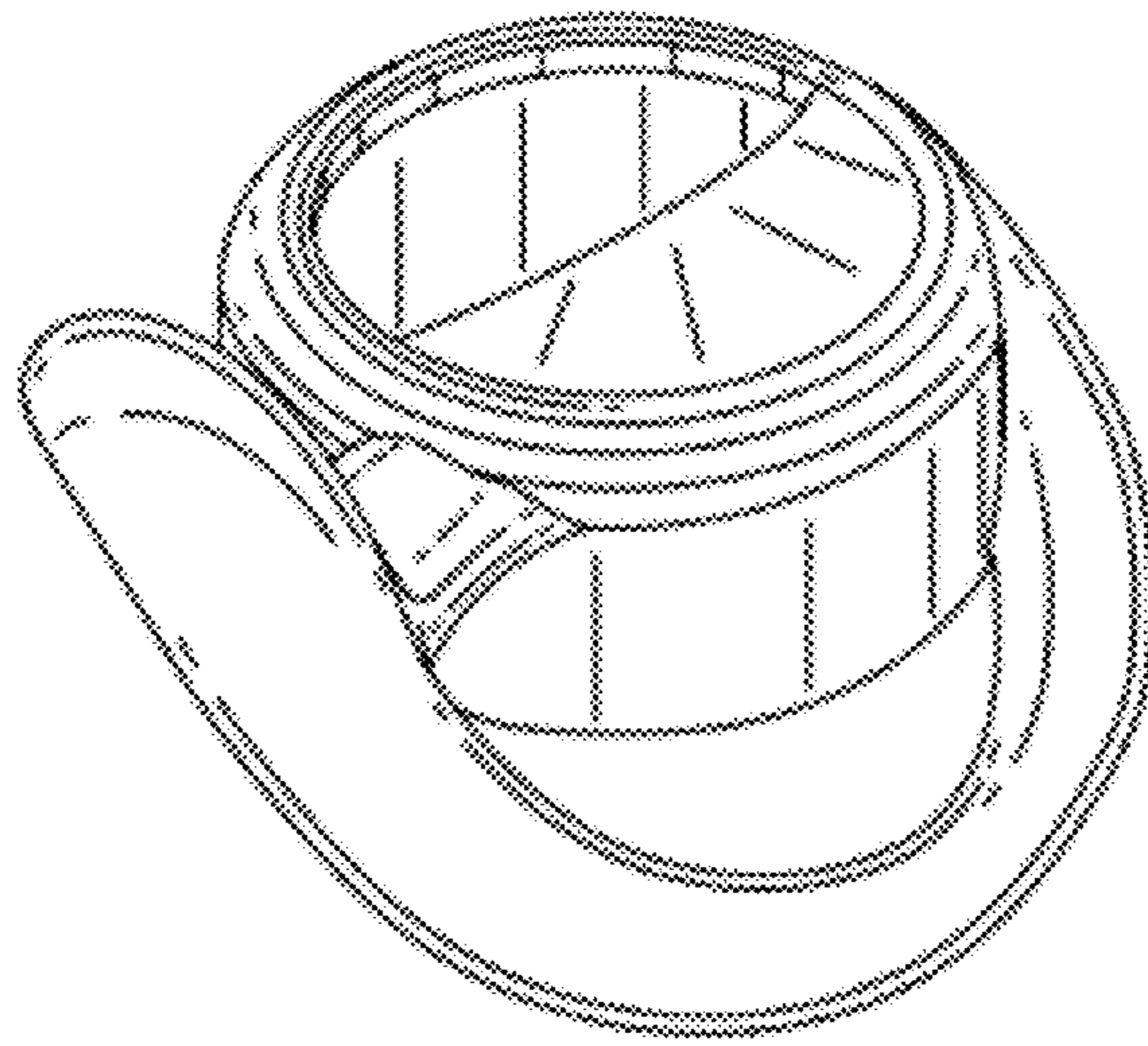


FIG. 1

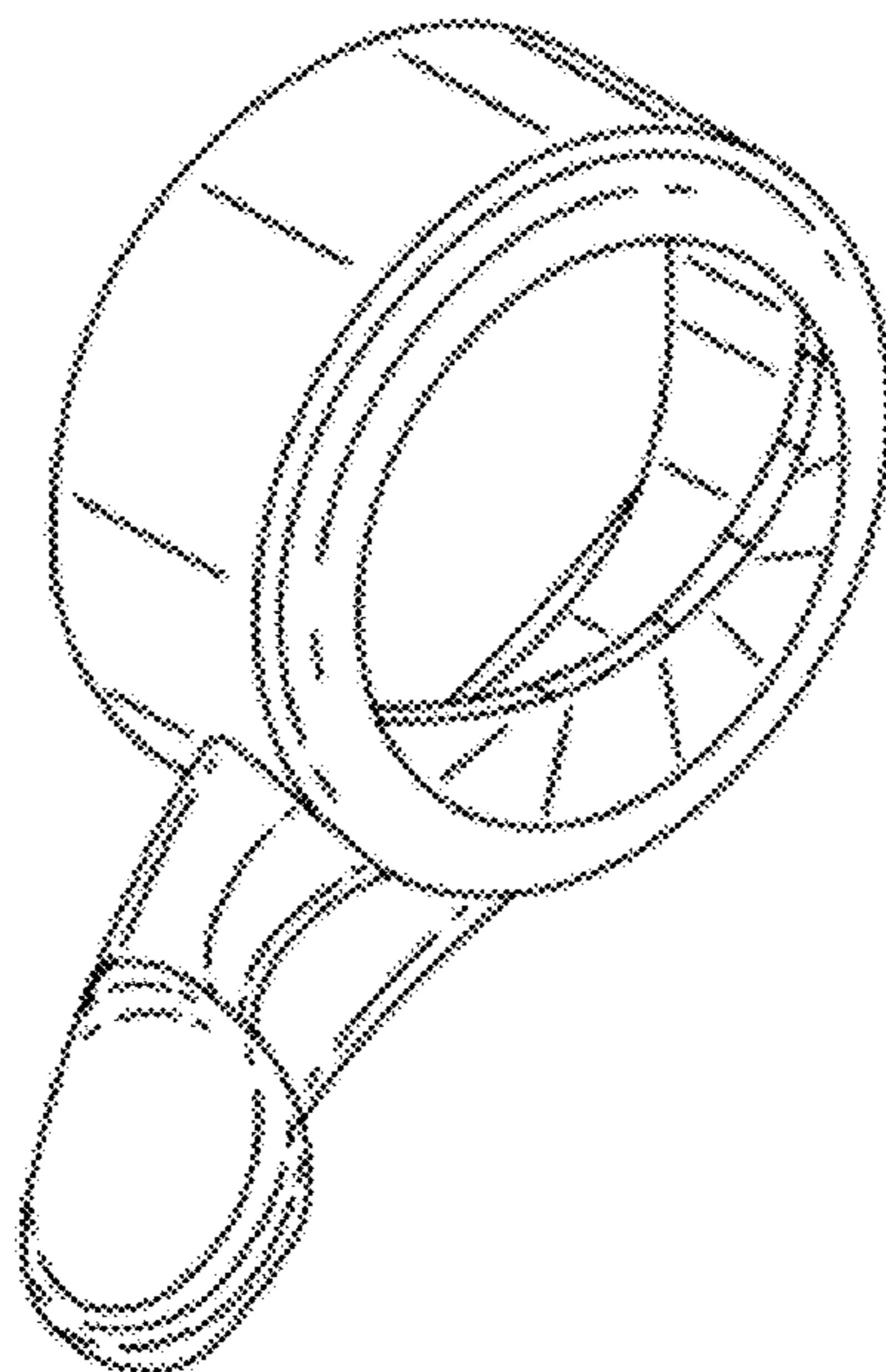


FIG. 2

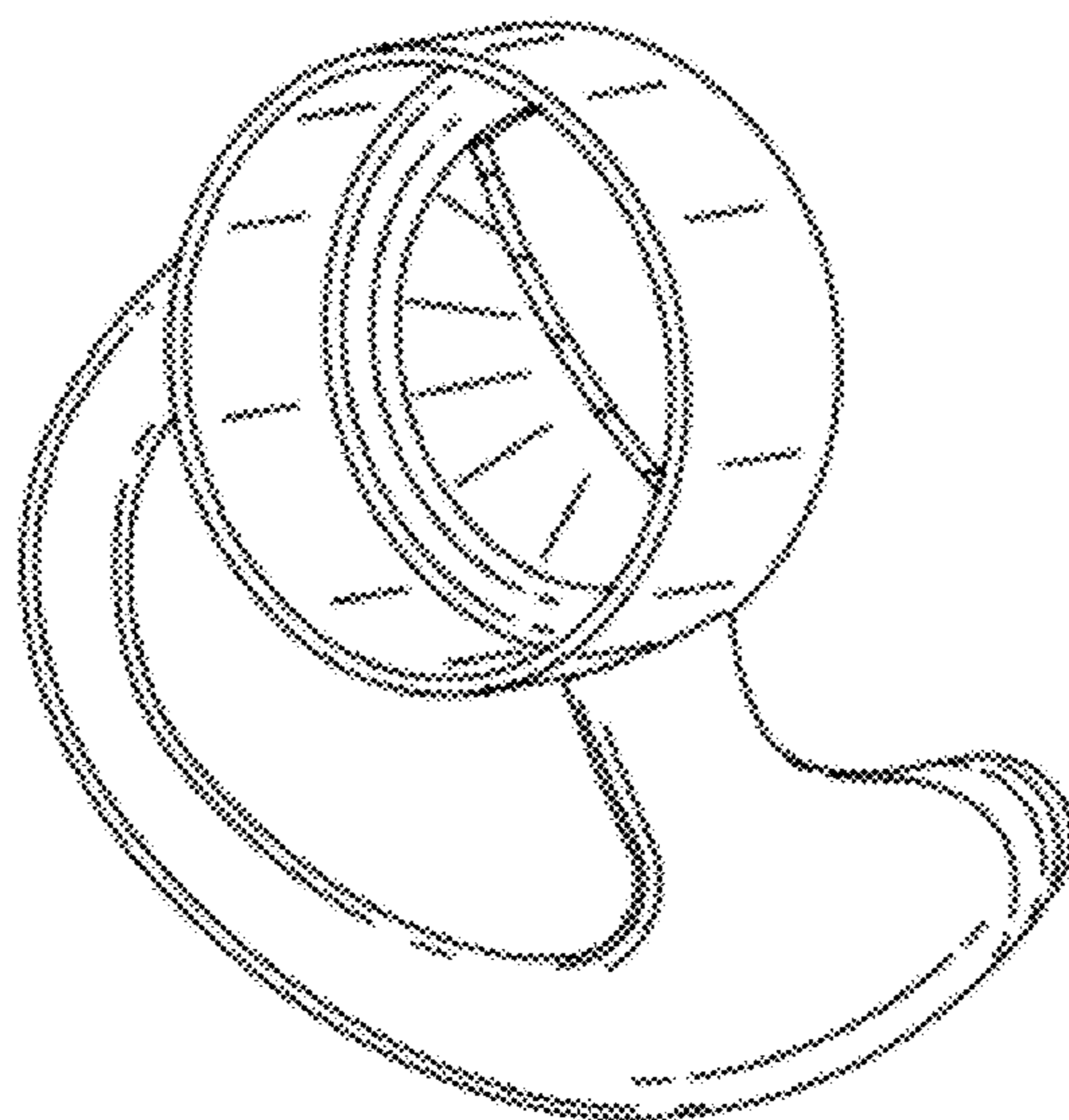


FIG. 3



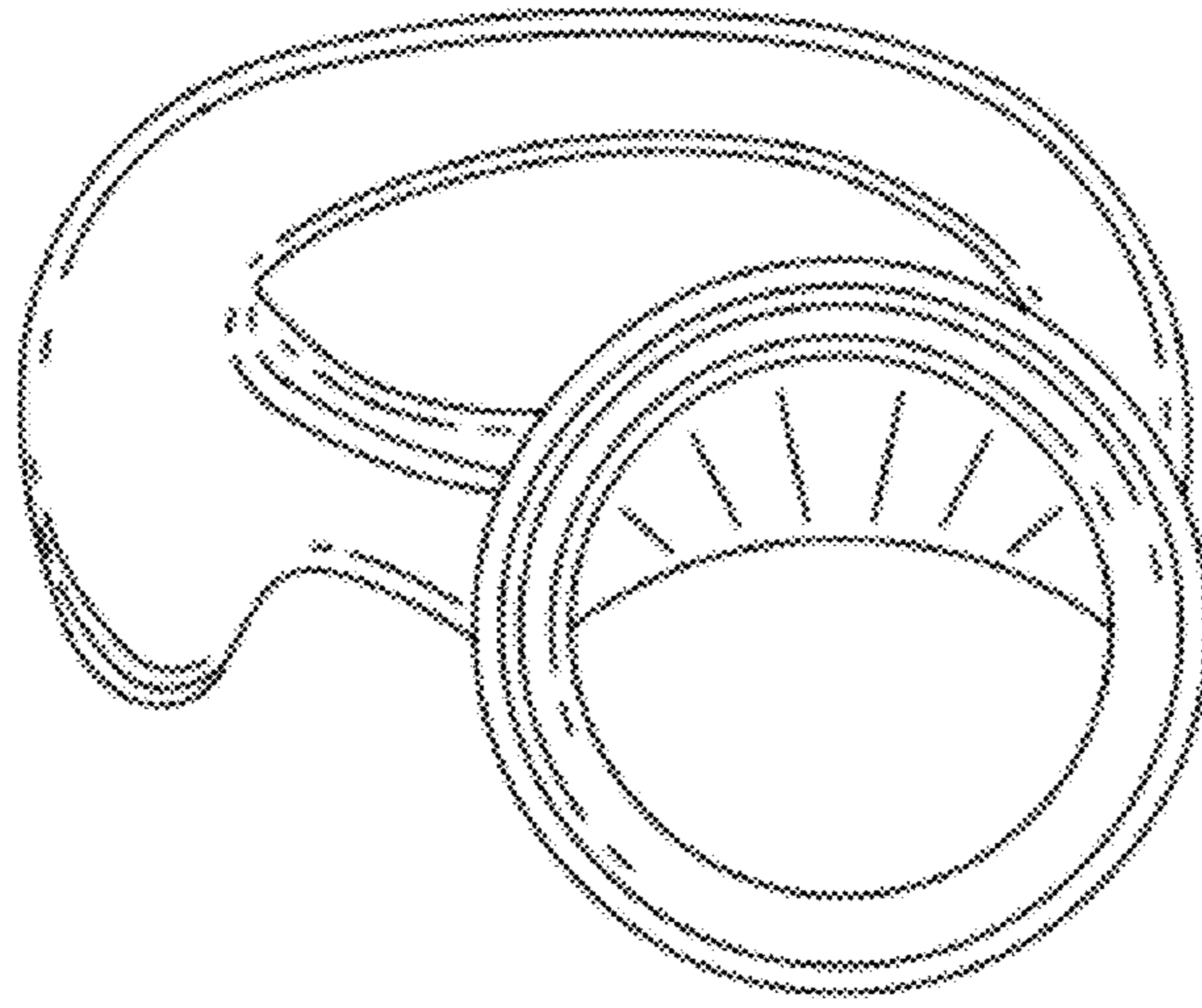


FIG. 4

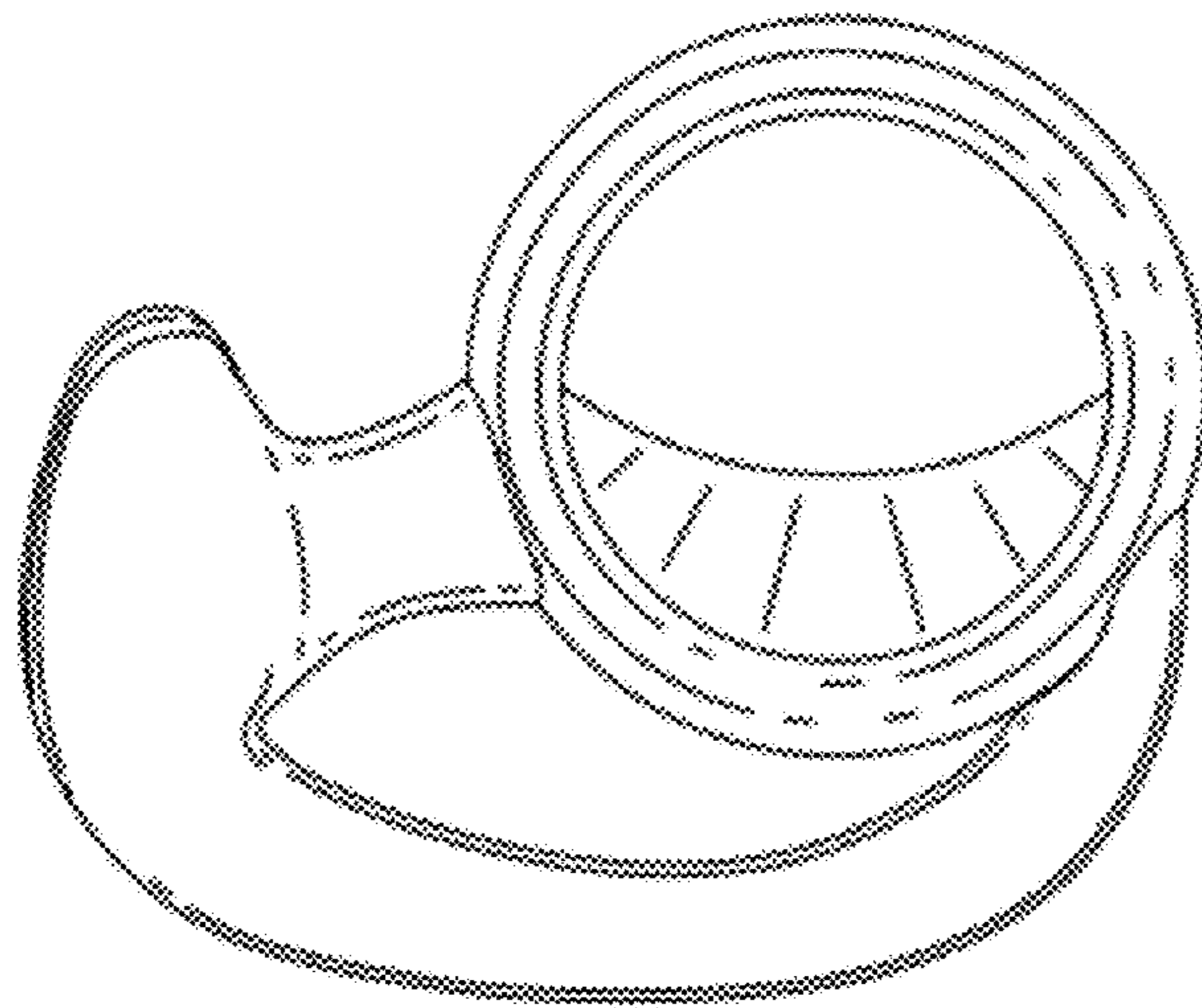


FIG. 5

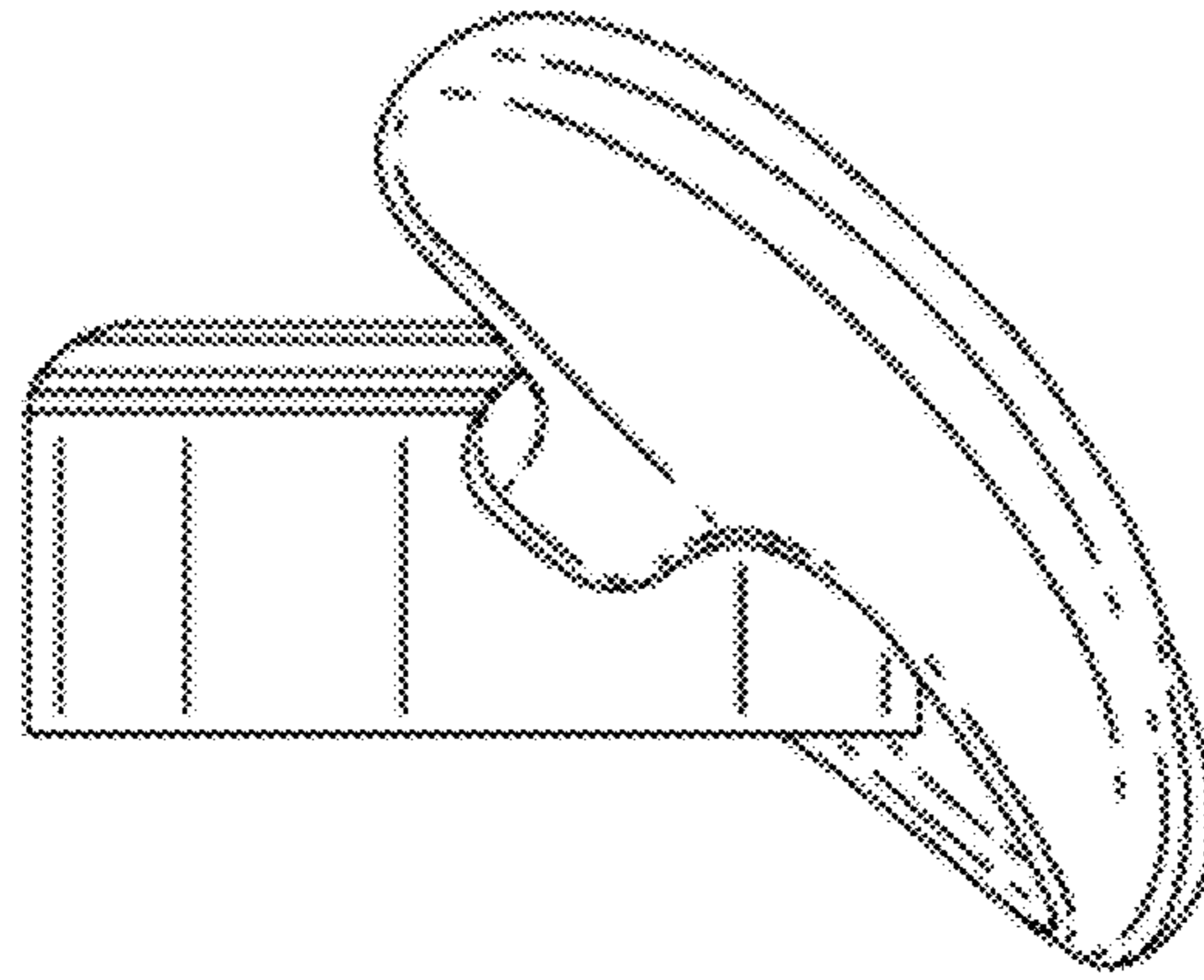


FIG. 6

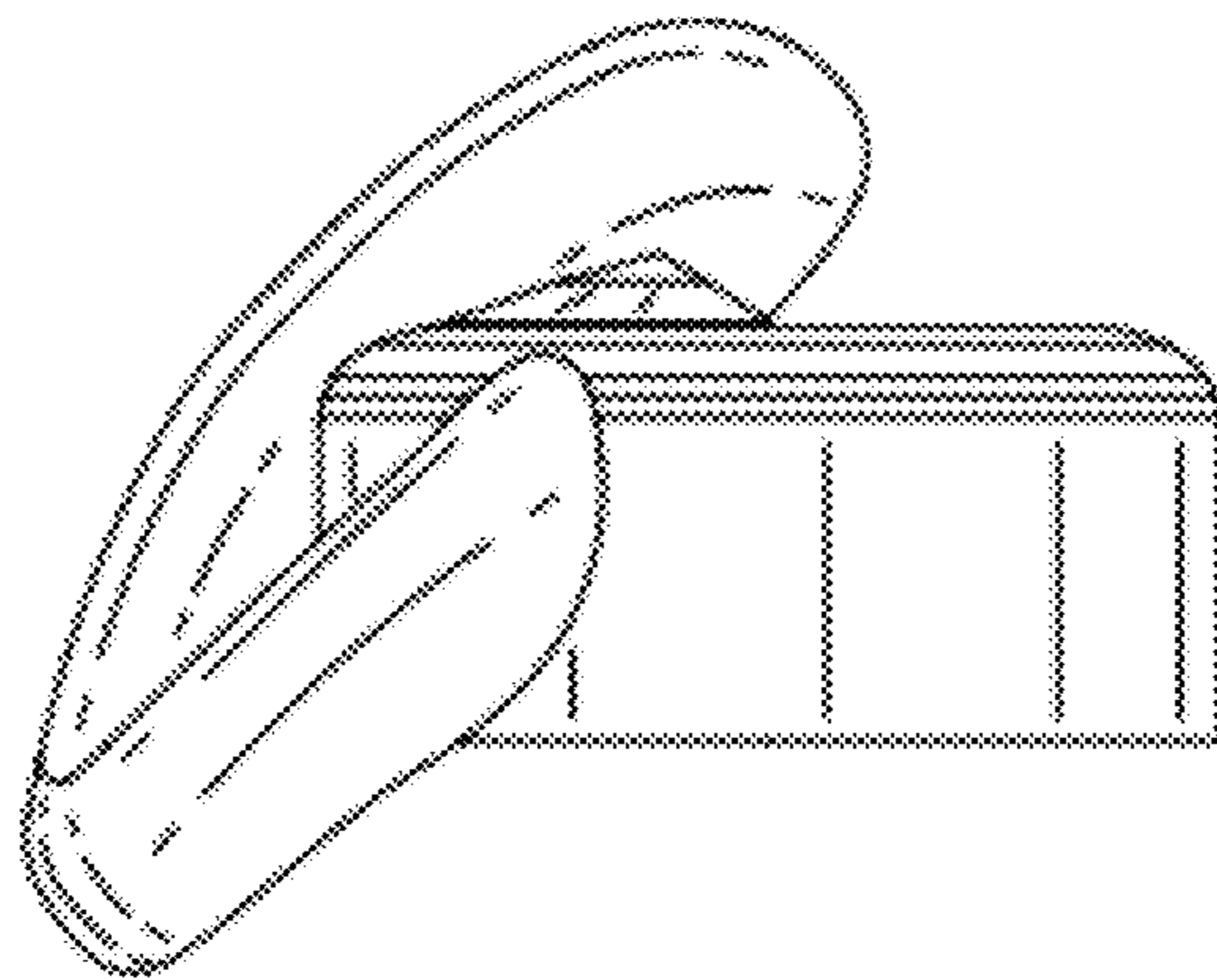


FIG. 7

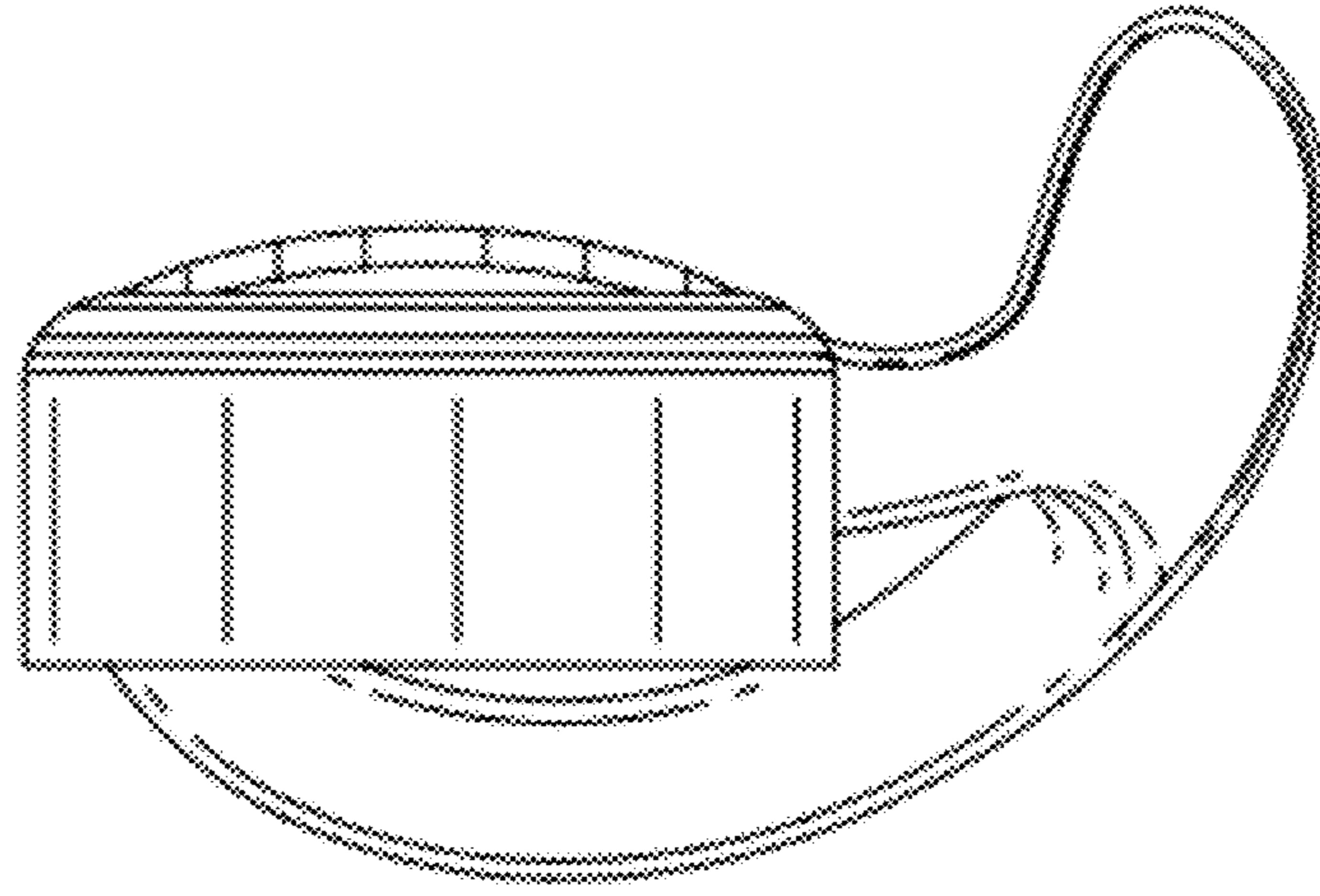


FIG. 8

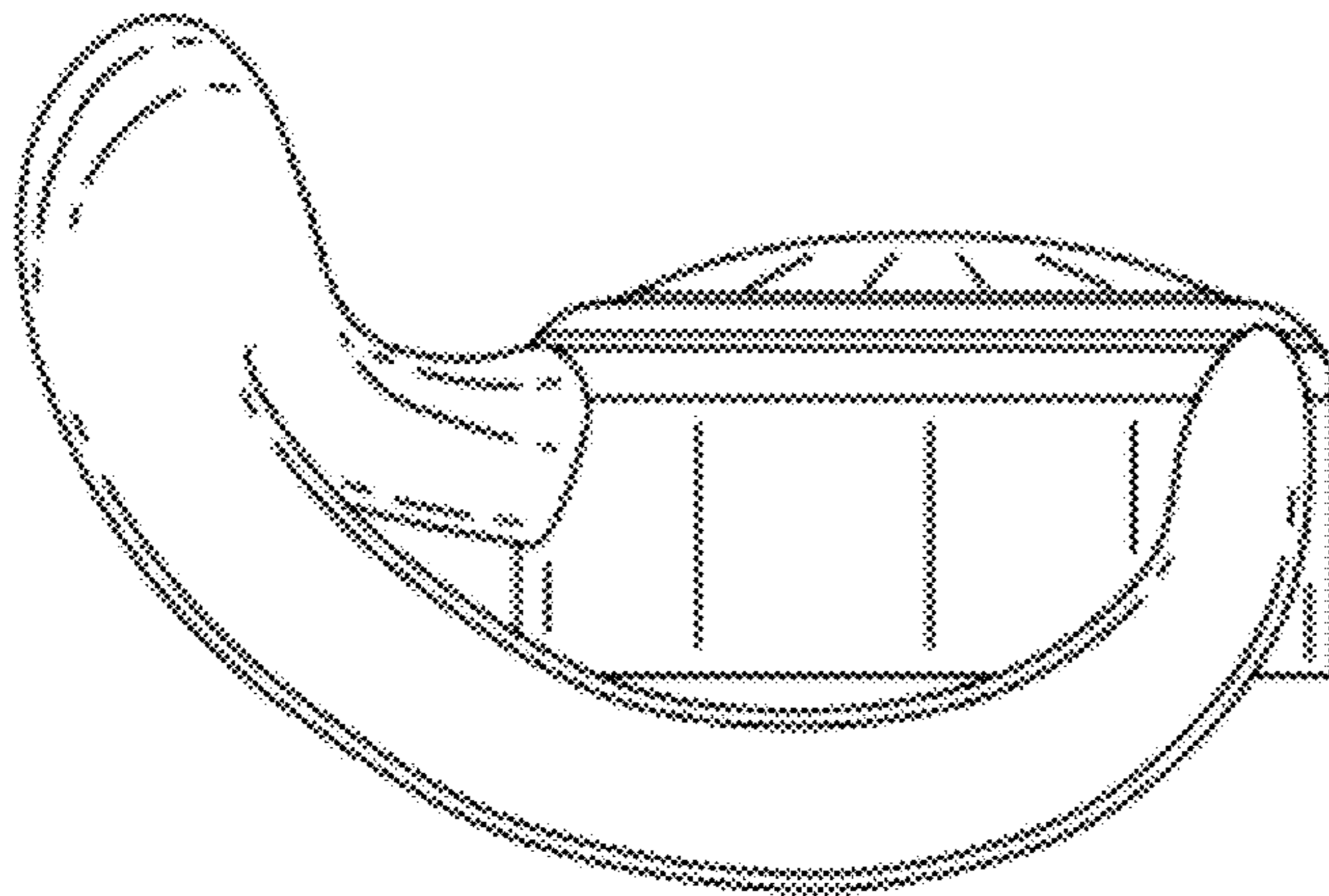


FIG. 9

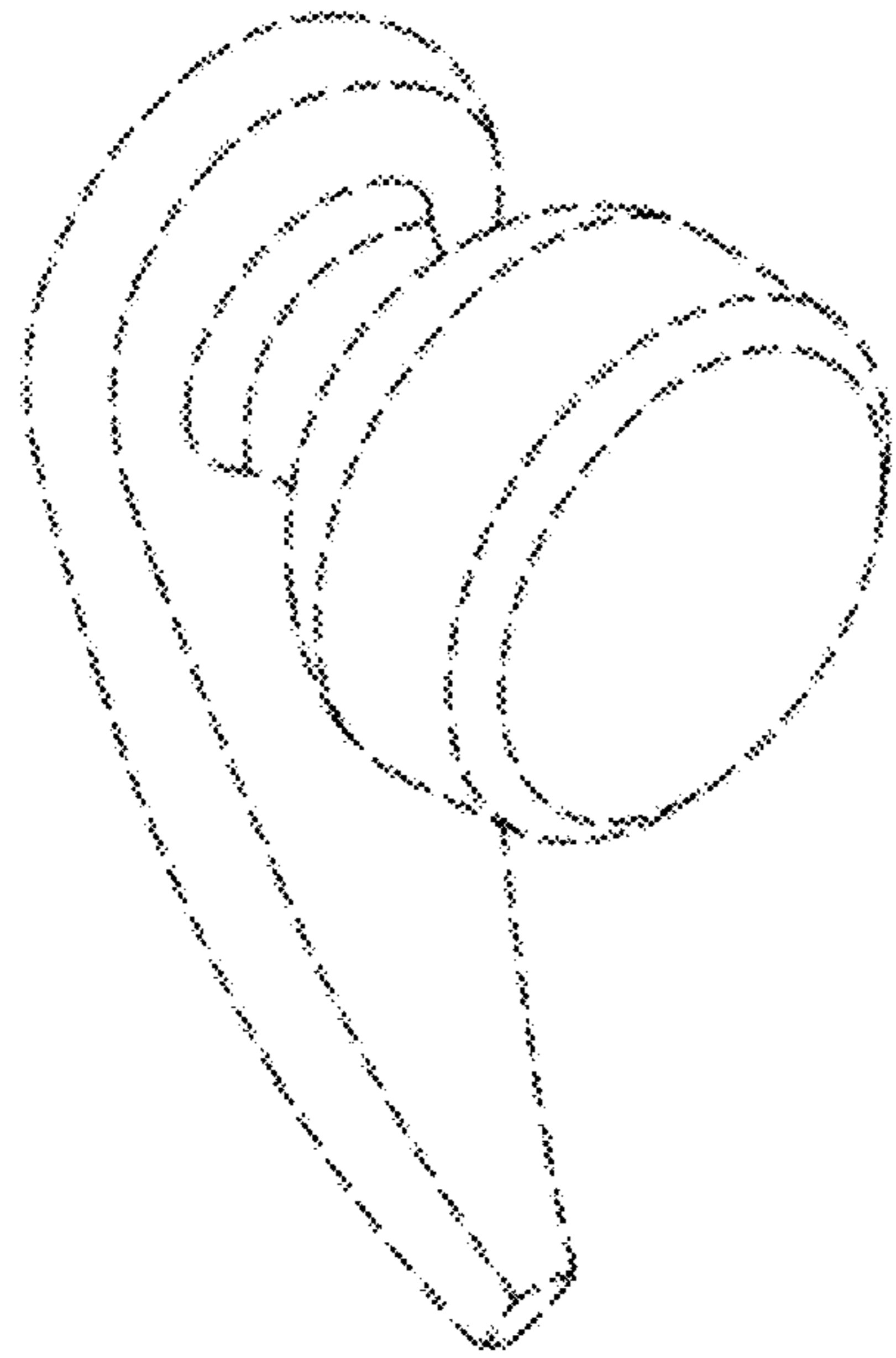


FIG. 10

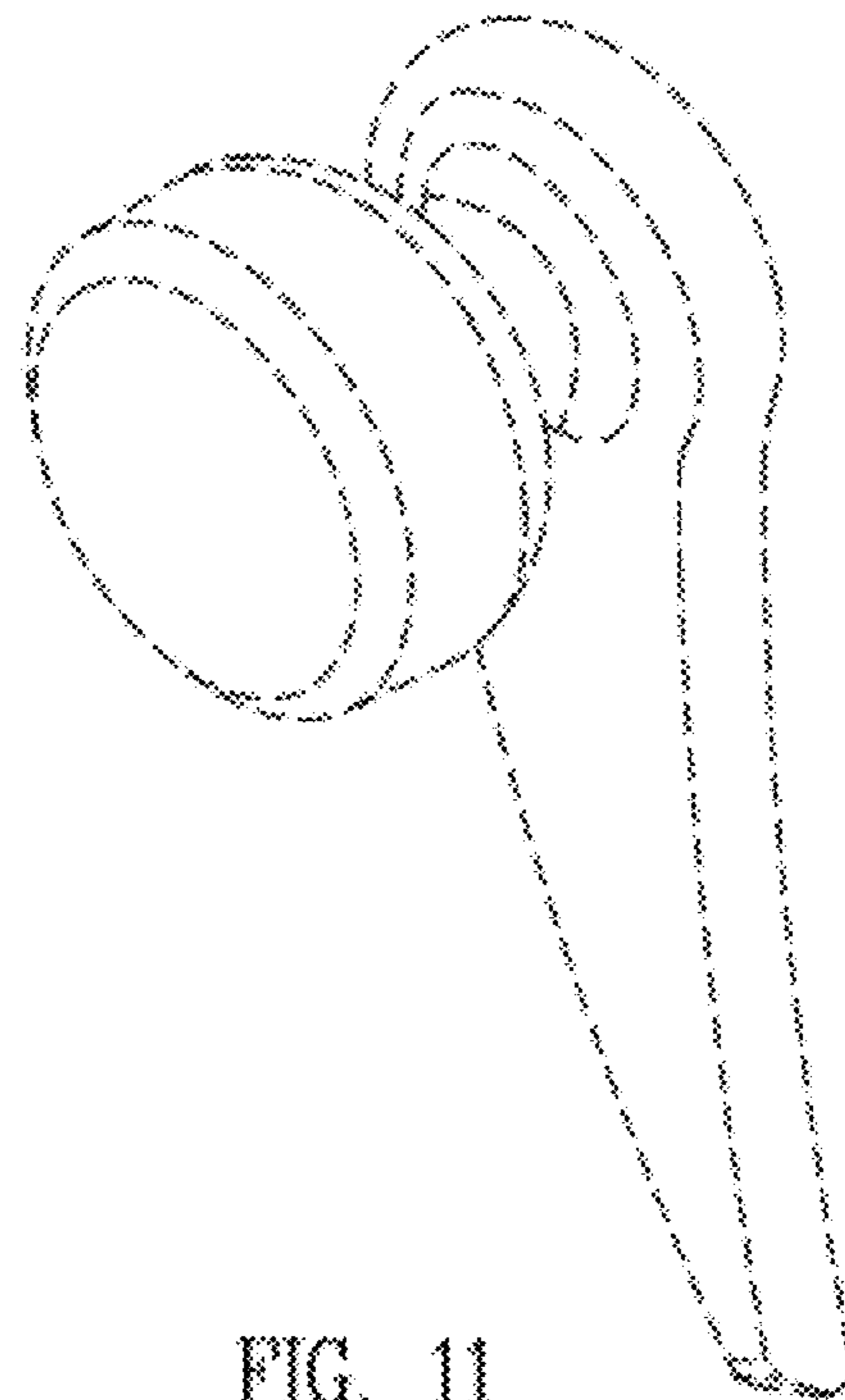


FIG. 11



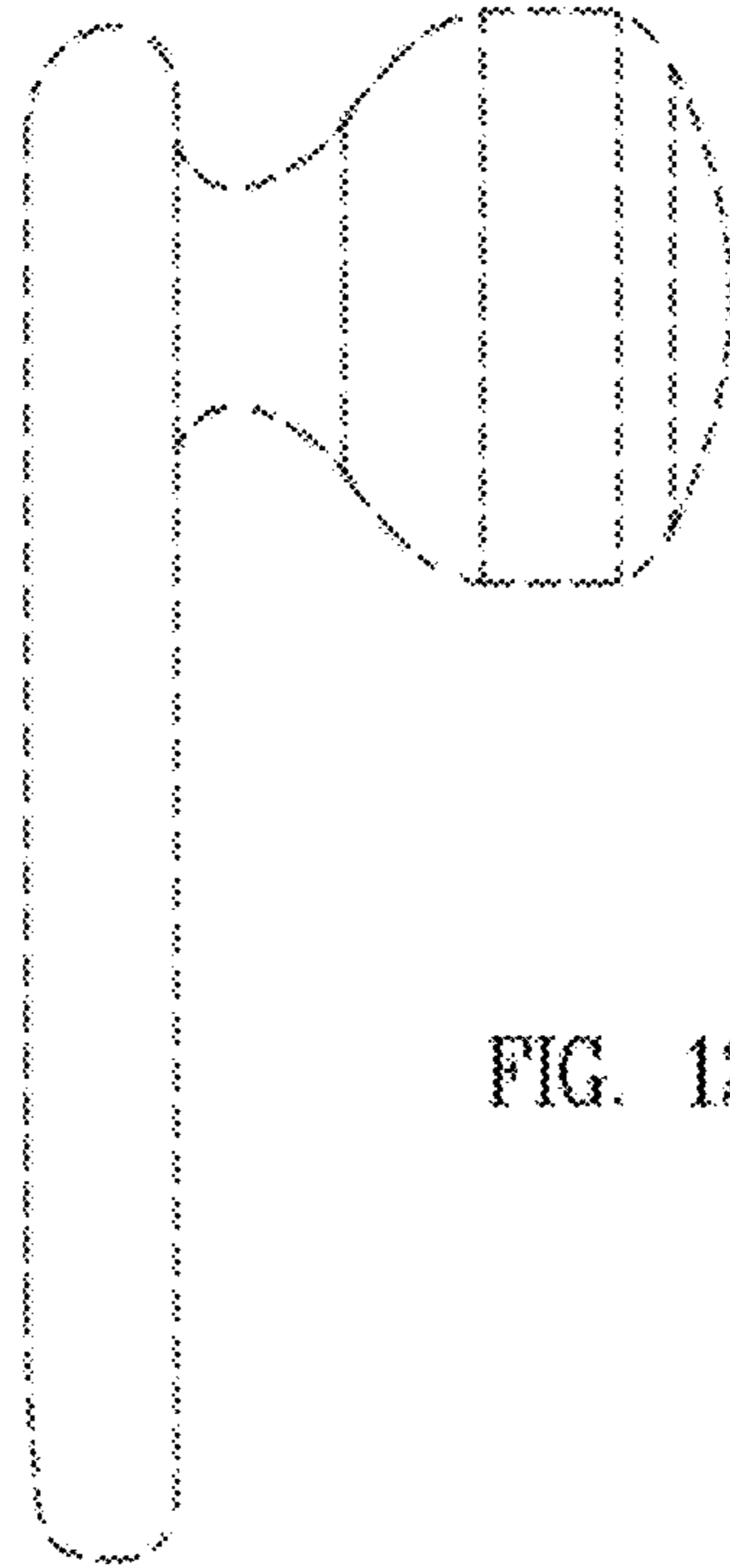


FIG. 12

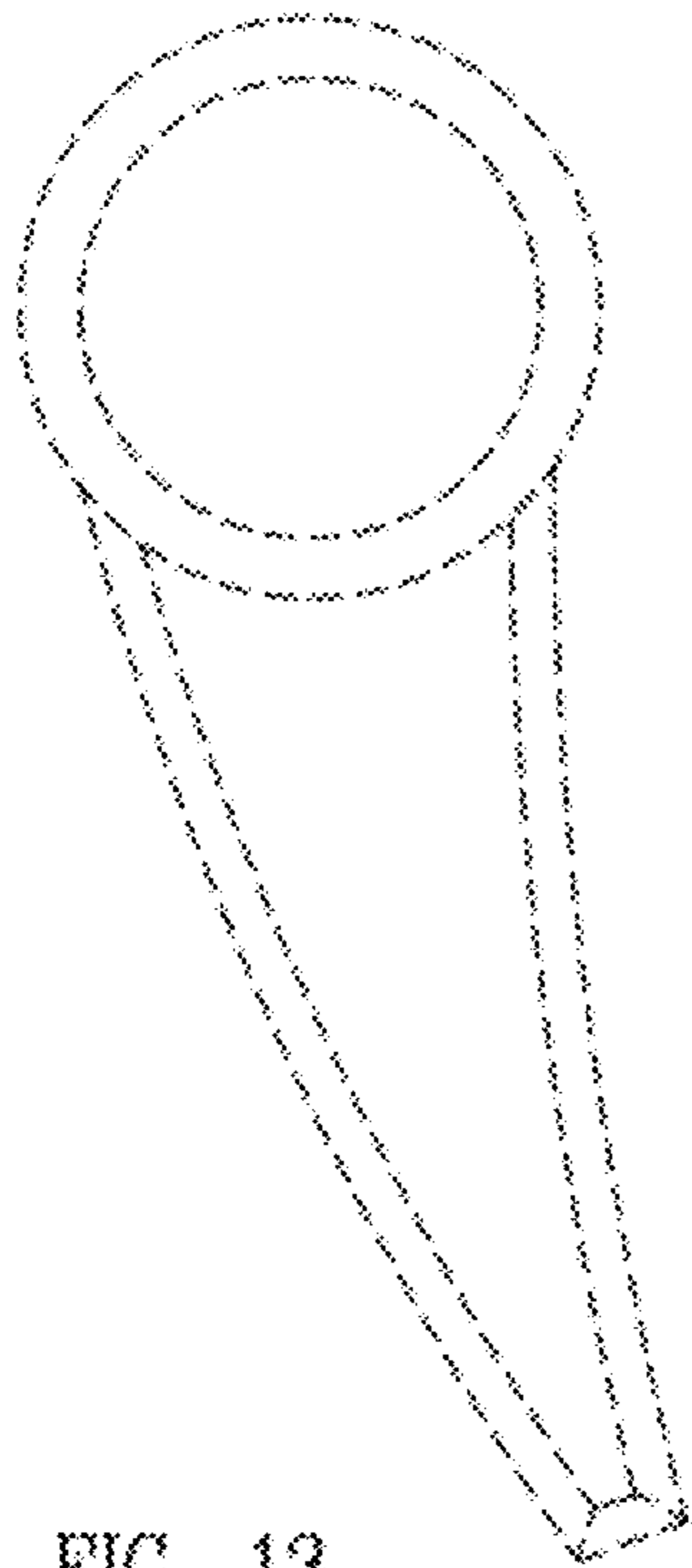


FIG. 13

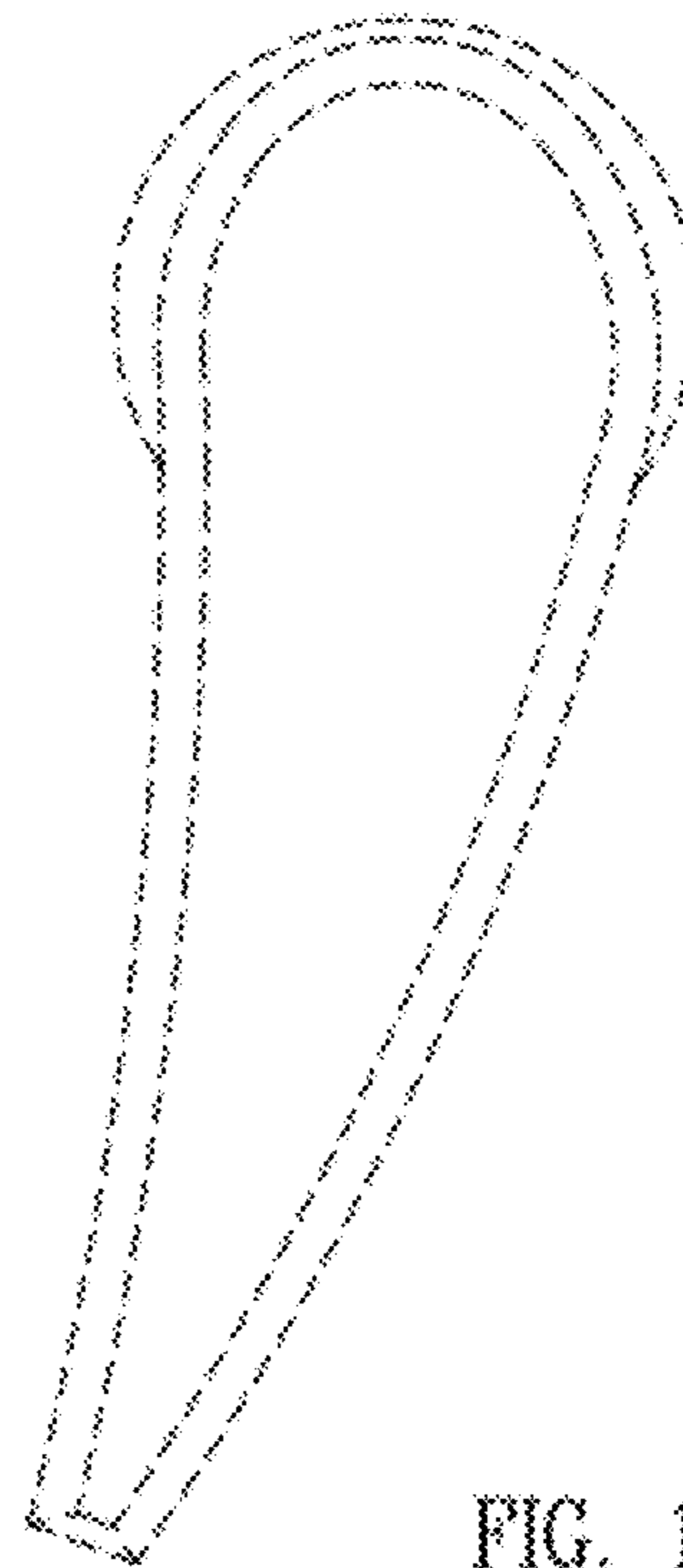


FIG. 14

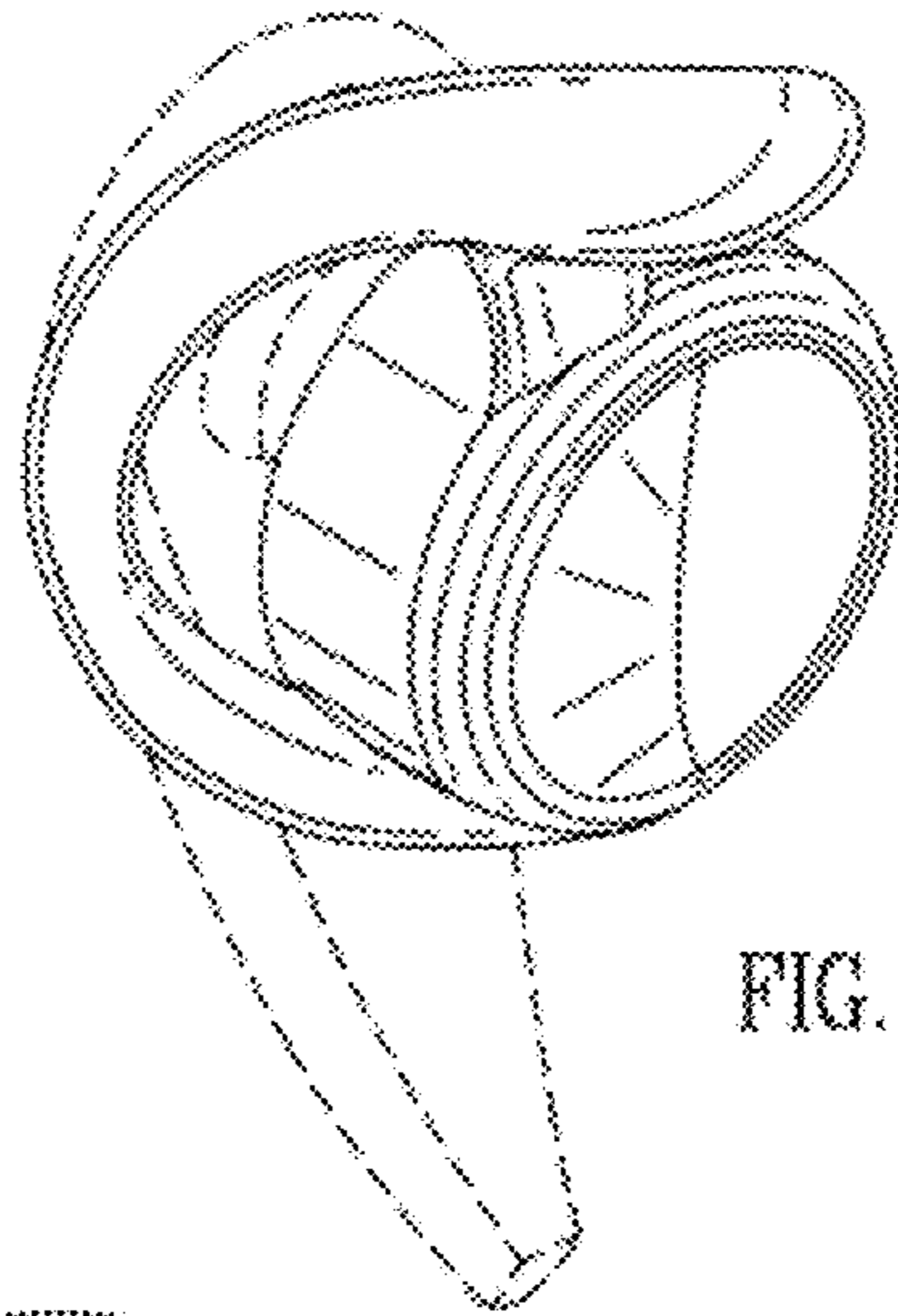


FIG. 15

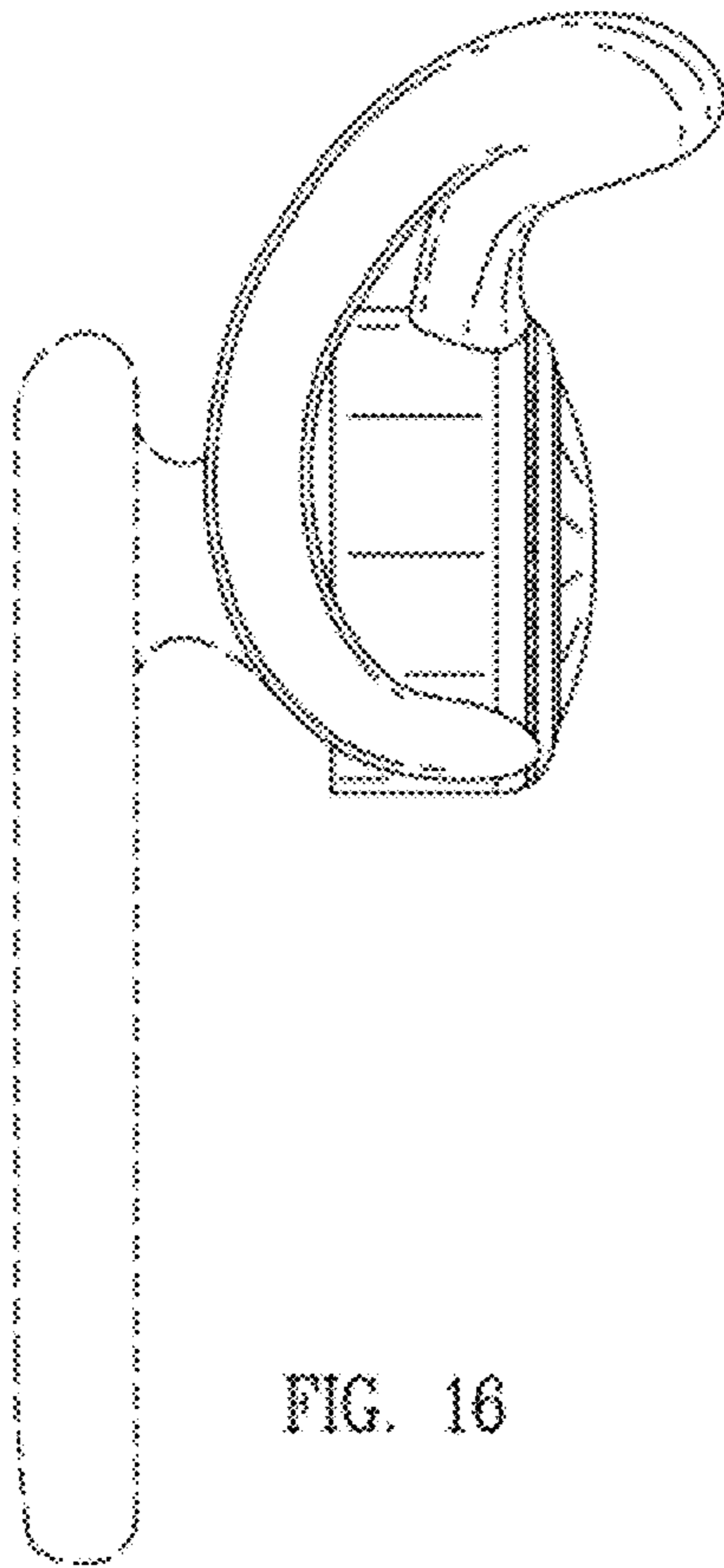


FIG. 16

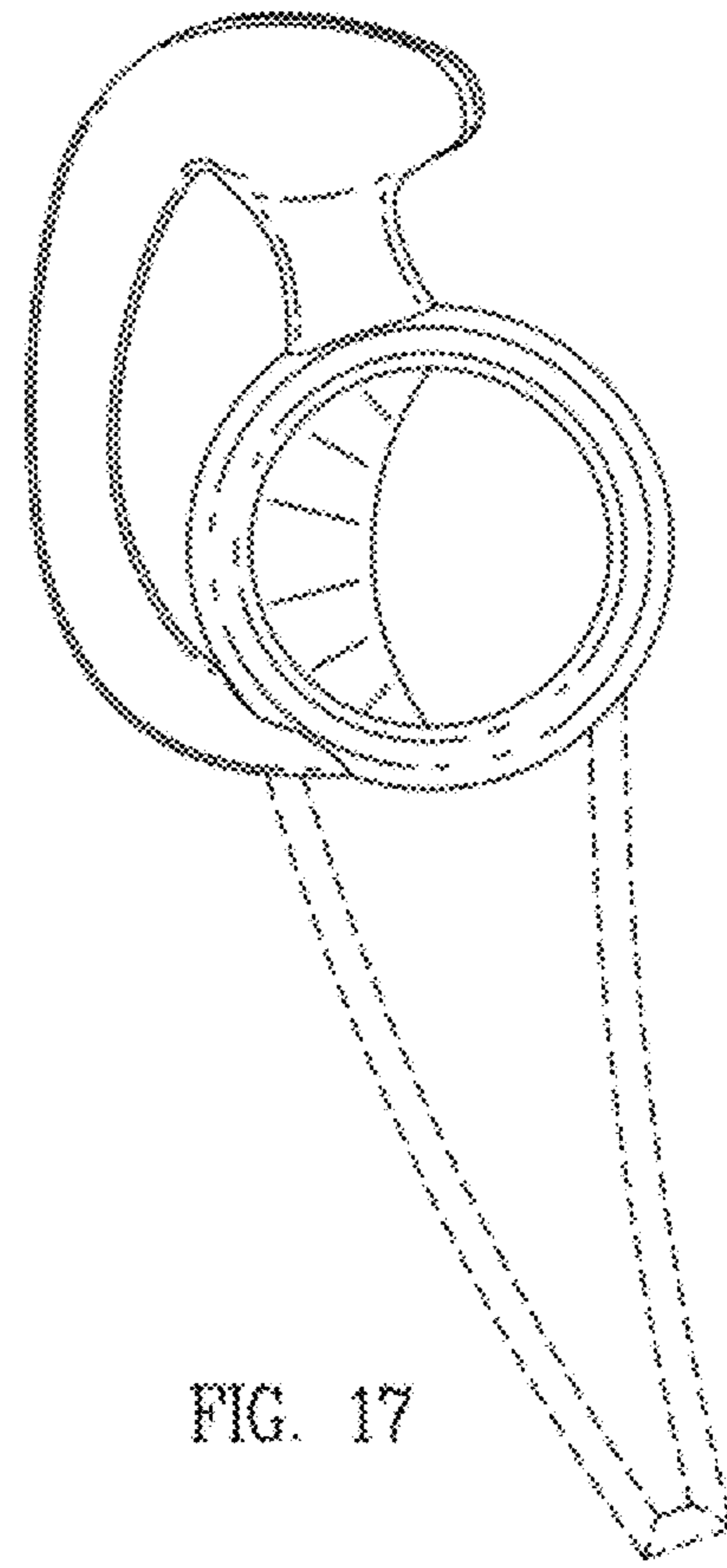


FIG. 17