



US00D664123S

(12) **United States Design Patent**
Nguyen et al.

(10) **Patent No.:** **US D664,123 S**
(45) **Date of Patent:** **** Jul. 24, 2012**

(54) **REMOTE CONTROL DEVICE**

(75) Inventors: **Francois D. Nguyen**, San Francisco, CA (US); **Matthew B. Shoemake**, Allen, TX (US)

(73) Assignee: **Biscotti, Inc.**, Allen, TX (US)

(**) Term: **14 Years**

(21) Appl. No.: **29/363,360**

(22) Filed: **Jun. 8, 2010**

(51) **LOC (9) Cl.** **14-03**

(52) **U.S. Cl.** **D14/218**

(58) **Field of Classification Search** D14/218,
D14/455; D13/168; D21/566; D10/104,
D10/106; 345/169; 348/14.05, 114, 211.99,
348/734; 340/825.24; 341/22; 455/92, 95,
455/128, 151.1–151.4, 352, 355, FOR. 121;
700/65

See application file for complete search history.

(56) **References Cited**

U.S. PATENT DOCUMENTS

D315,552 S *	3/1991	Sacherman	D14/417
D331,060 S *	11/1992	Emmons et al.	D14/218
D532,777 S *	11/2006	Yu et al.	D14/218
D560,230 S *	1/2008	Yagi et al.	D14/496
D573,577 S *	7/2008	Huang	D14/155
D573,957 S *	7/2008	Ledbetter et al.	D13/168
D577,715 S *	9/2008	Lim et al.	D14/240
D596,623 S *	7/2009	Laine	D14/218
D605,167 S *	12/2009	Sheba et al.	D14/203.7
D606,046 S *	12/2009	Bradford et al.	D14/218
D614,171 S *	4/2010	Son et al.	D14/218

D618,203 S *	6/2010	Bradford	D14/203.2
D621,371 S *	8/2010	Sheppard et al.	D13/168
D624,880 S *	10/2010	Felegy, Jr. et al.	D13/168
D626,942 S *	11/2010	Aquillano et al.	D14/218

OTHER PUBLICATIONS

“Apple Remote,” Wikipedia. N.p., Oct 10, 2010. Web. Nov 15, 2010.
http://en.wikipedia.org/wiki/Apple_Remote—5 pages.

“Wii Remote,” Wikipedia. N.p., Nov 10, 2010. Web. Nov 10, 2010.
http://en.wikipedia.org/wiki/Wii_Remote—16 pages.

“Wii Speak,” Wikipedia. N.p., Nov 14, 2010. Web. Nov 15, 2010.
http://en.wikipedia.org/wiki/Wii_Speak—4 pages.

* cited by examiner

Primary Examiner — John Windmuller

(74) *Attorney, Agent, or Firm* — Swanson & Bratschun, L.L.C.

(57) **CLAIM**

We claim the ornamental design for a remote control device, as shown and described.

DESCRIPTION

FIG. 1 is front elevation view of the remote control device showing my new design;

FIG. 2 is a left side elevation view thereof;

FIG. 3 is a right side elevation view thereof;

FIG. 4 is a top plan view thereof;

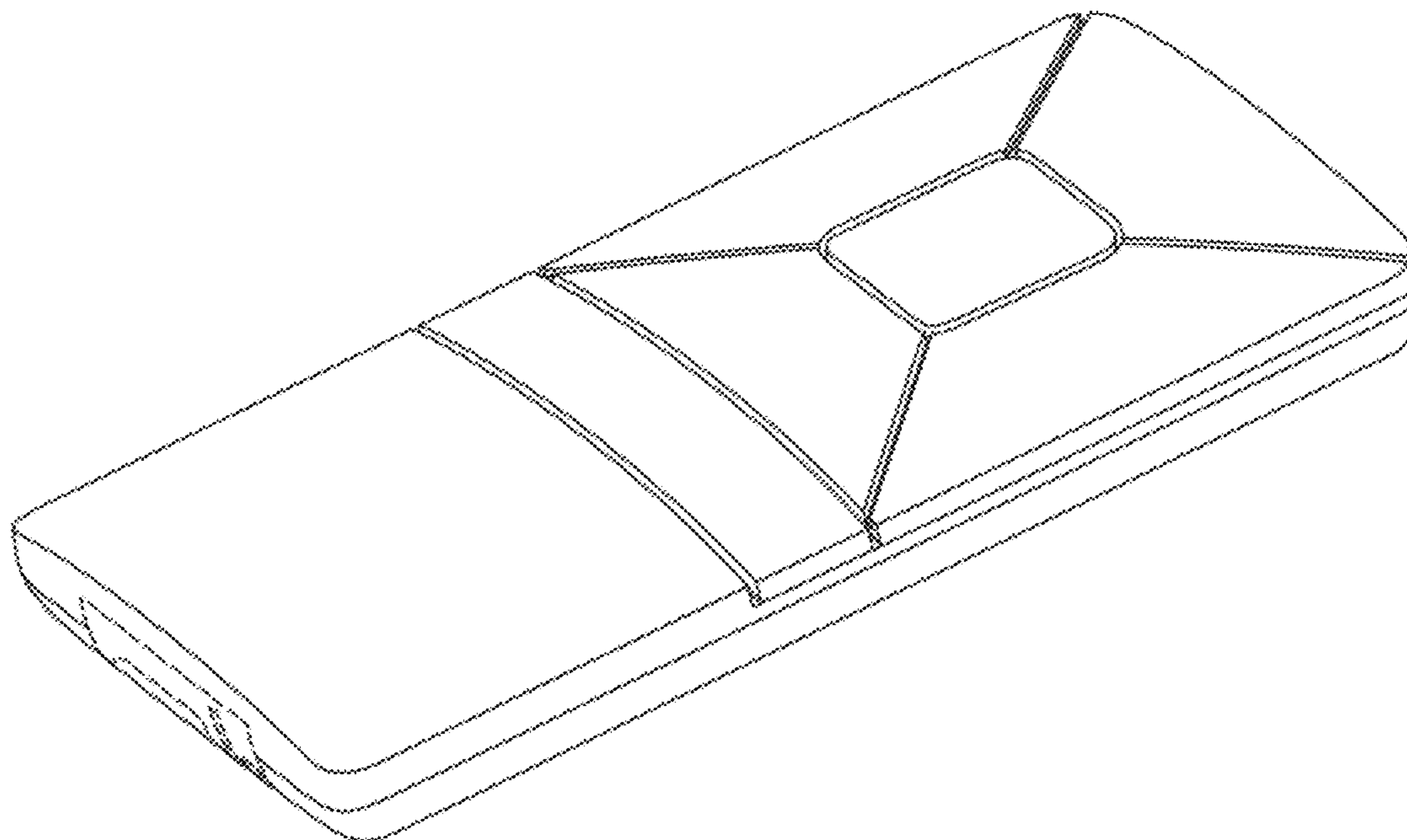
FIG. 5 is a bottom plan view thereof;

FIG. 6 is a rear elevation view thereof; and,

FIG. 7 is a top perspective view thereof.

The broken line showing on the drawing disclosure is for illustrative purpose only and forms no part of the claimed design.

1 Claim, 7 Drawing Sheets



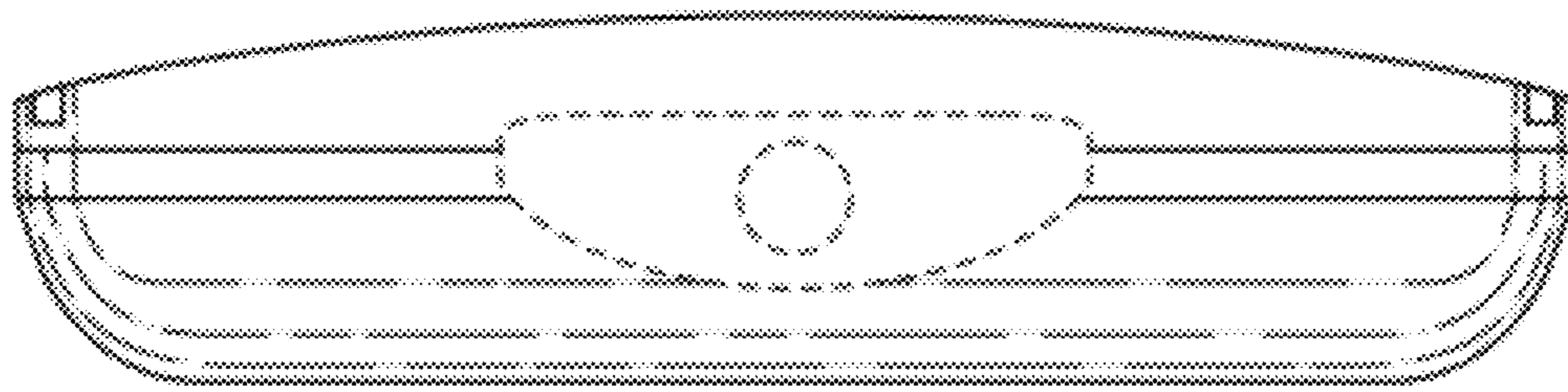


Fig. 1

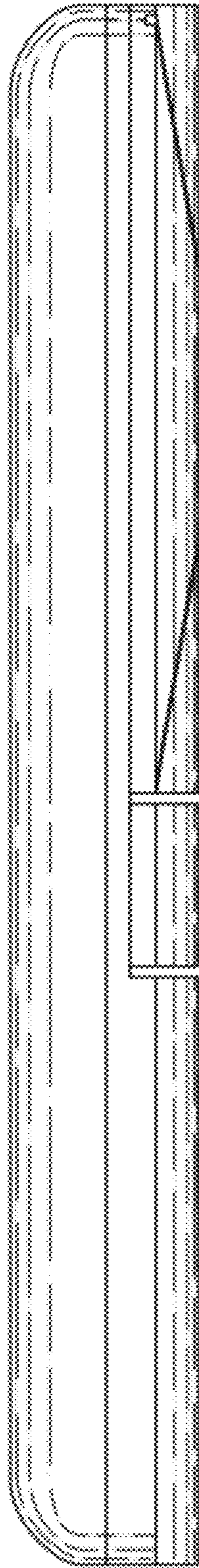


Fig. 2



Fig. 3

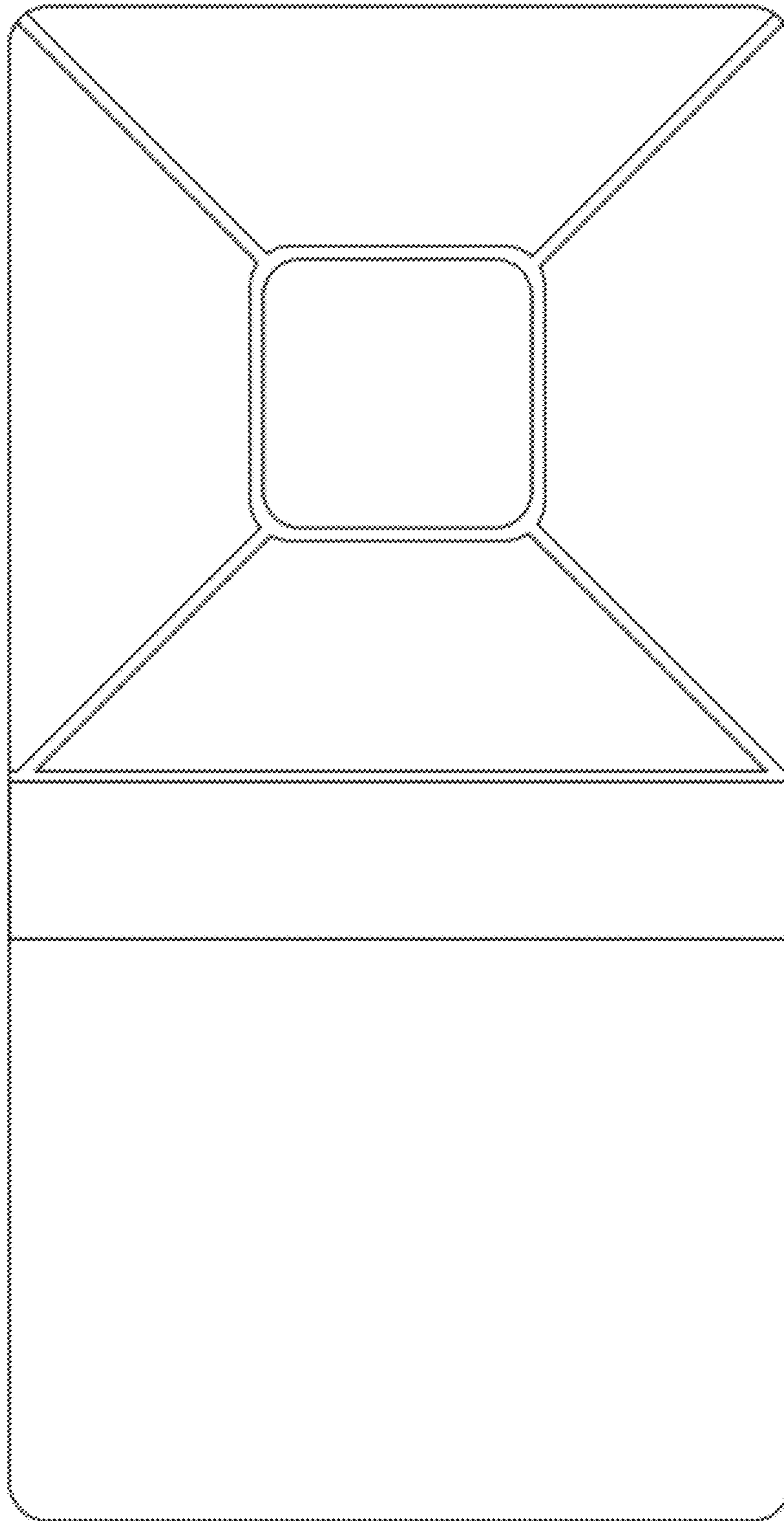


Fig. 4

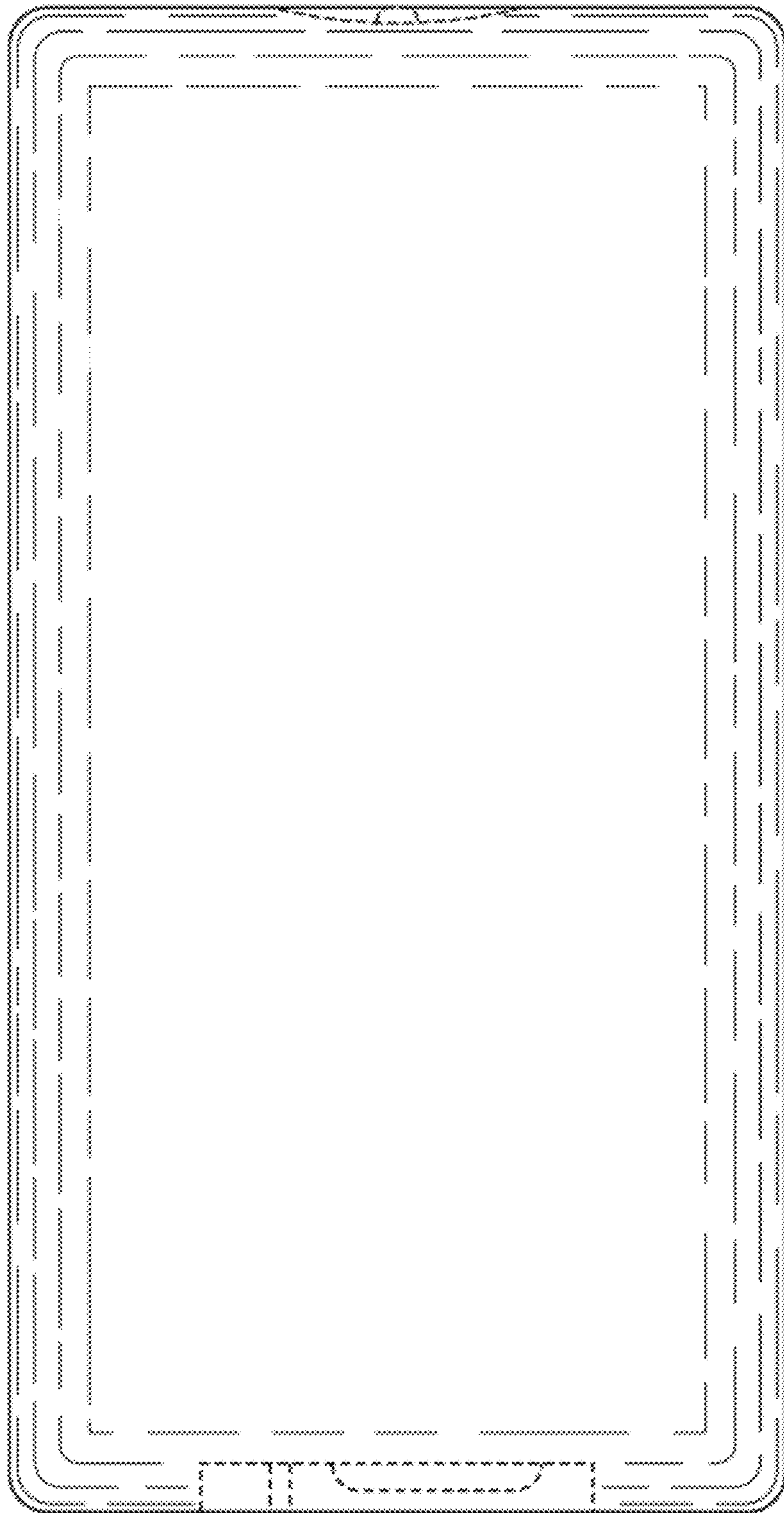


Fig. 5

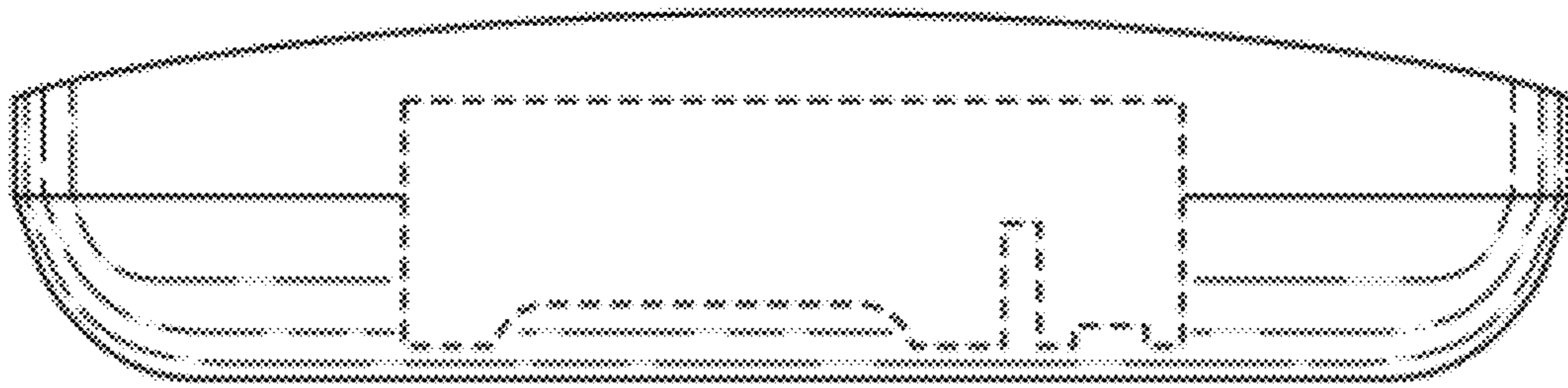


Fig. 6

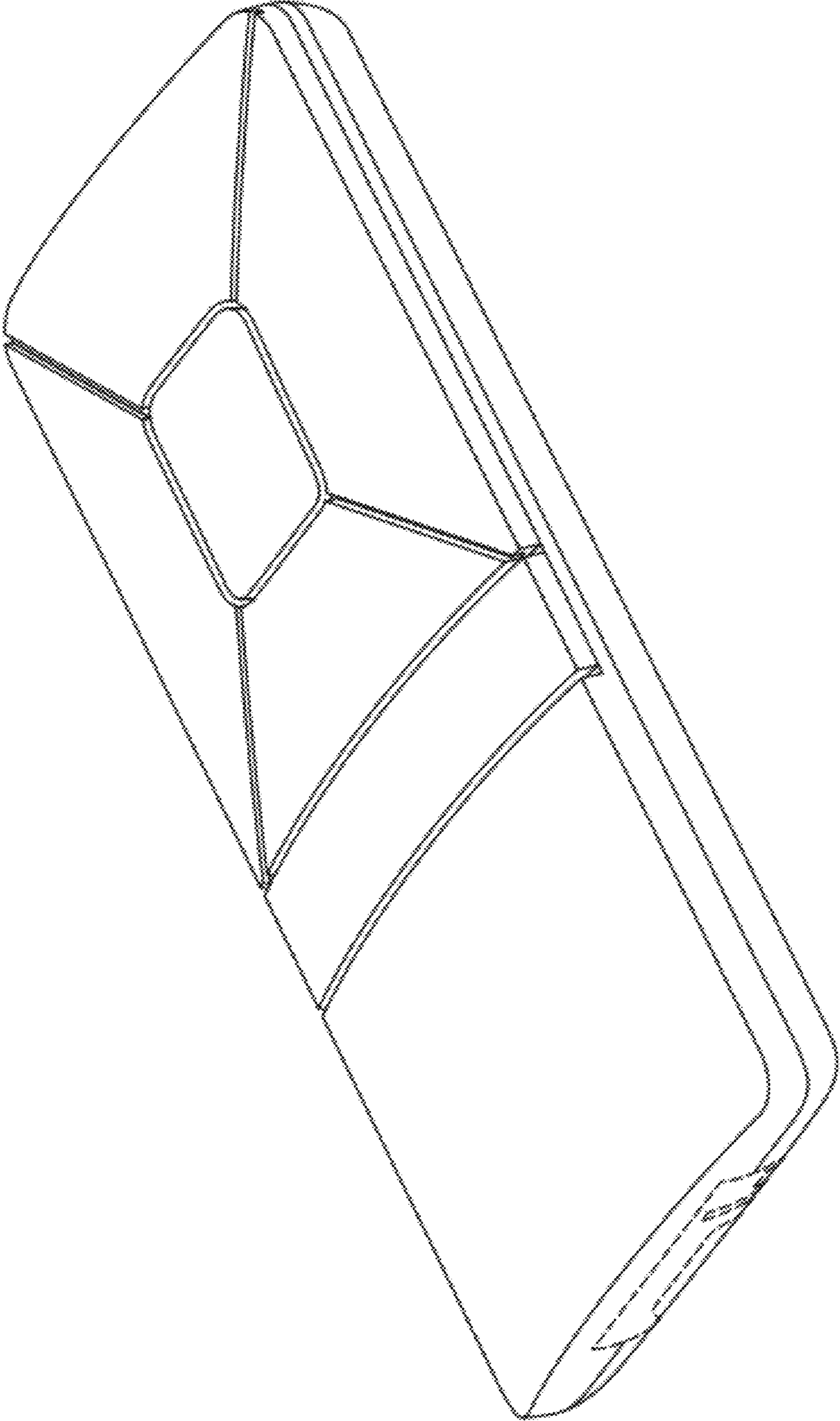


Fig. 7