

US00D664117S

(12) **United States Design Patent**
Tappeiner et al.

(10) **Patent No.:** **US D664,117 S**
(45) **Date of Patent:** **** Jul. 24, 2012**

(54) **HEADPHONES**

(75) Inventors: **Marc Alan Tappeiner**, Santa Barbara, CA (US); **Eric Michael Bergman**, Santa Barbara, CA (US); **Frank Bleck**, Santa Barbara, CA (US)

(73) Assignee: **Signeo USA, LLC**, Lake Mary, FL (US)

(**) Term: **14 Years**

(21) Appl. No.: **29/399,567**

(22) Filed: **Aug. 16, 2011**

(51) **LOC (9) Cl.** **14-01**

(52) **U.S. Cl.** **D14/205**

(58) **Field of Classification Search** D14/205,
D14/206, 223; 181/129, 130, 135; 379/430,
379/431, 433.05; 381/370, 371, 374, 380,
381/381; 2/209, 423; D29/112; D5/52,
D5/53; 455/90.3, 575.2

See application file for complete search history.

(56) **References Cited**

U.S. PATENT DOCUMENTS

D17,880	S	*	11/1887	Friedlander	D5/53
1,648,832	A	*	11/1927	Urban	181/129
D254,183	S	*	2/1980	Doodson	D14/205
4,459,707	A	*	7/1984	Stallings	2/209
D286,632	S	*	11/1986	Teunis	D14/205
4,689,822	A	*	8/1987	Houng	381/379
D328,461	S	*	8/1992	Daido et al.	D14/205
D333,137	S	*	2/1993	Burke	D14/206
D351,172	S	*	10/1994	Nakamura et al.	D14/205
D386,181	S	*	11/1997	Fisher	D14/205
D403,128	S	*	12/1998	Scanlon et al.	D29/122
5,989,682	A	*	11/1999	Anderson	428/152
D494,154	S	*	8/2004	Polito	D14/206
7,072,483	B2	*	7/2006	Lenhard-Backhaus	381/383

7,114,823	B2	*	10/2006	McCullough et al.	362/105
D534,155	S	*	12/2006	Obata	D14/205
D540,301	S	*	4/2007	Obata	D14/205
D552,077	S		10/2007	Brunner et al.		
D563,382	S	*	3/2008	Wikel	D14/205
7,388,960	B2	*	6/2008	Kuo et al.	381/186
D593,995	S	*	6/2009	Shimizu	D14/205
D616,865	S	*	6/2010	Marchand et al.	D14/205
D625,705	S	*	10/2010	Ohuri et al.	D14/205
D628,554	S	*	12/2010	Tedja et al.	D14/205
D632,668	S		2/2011	Brunner et al.		
D652,406	S	*	1/2012	Lee et al.	D14/205
D654,472	S	*	2/2012	Fischer	D14/206

OTHER PUBLICATIONS

Joe Pollicino; "Klipsch Mode noise-canceling headphones tweet highs, woof lows"; <http://www.engadget.com/2011/07/12/klipsch-mode-noise-canceling-headphones-tweet-highs-woof-lows>; posted Jul. 12, 2011.

(Continued)

Primary Examiner — Paula Greene

(74) *Attorney, Agent, or Firm* — Grossman, Tucker, Perreault & Pfleger, PLLC

(57) **CLAIM**

The ornamental design for headphones, as shown.

DESCRIPTION

FIG. 1 is a perspective view of headphones showing our new design;

FIG. 2 is a front view of the headphones of FIG. 1;

FIG. 3 is a back view of the headphones of FIG. 1;

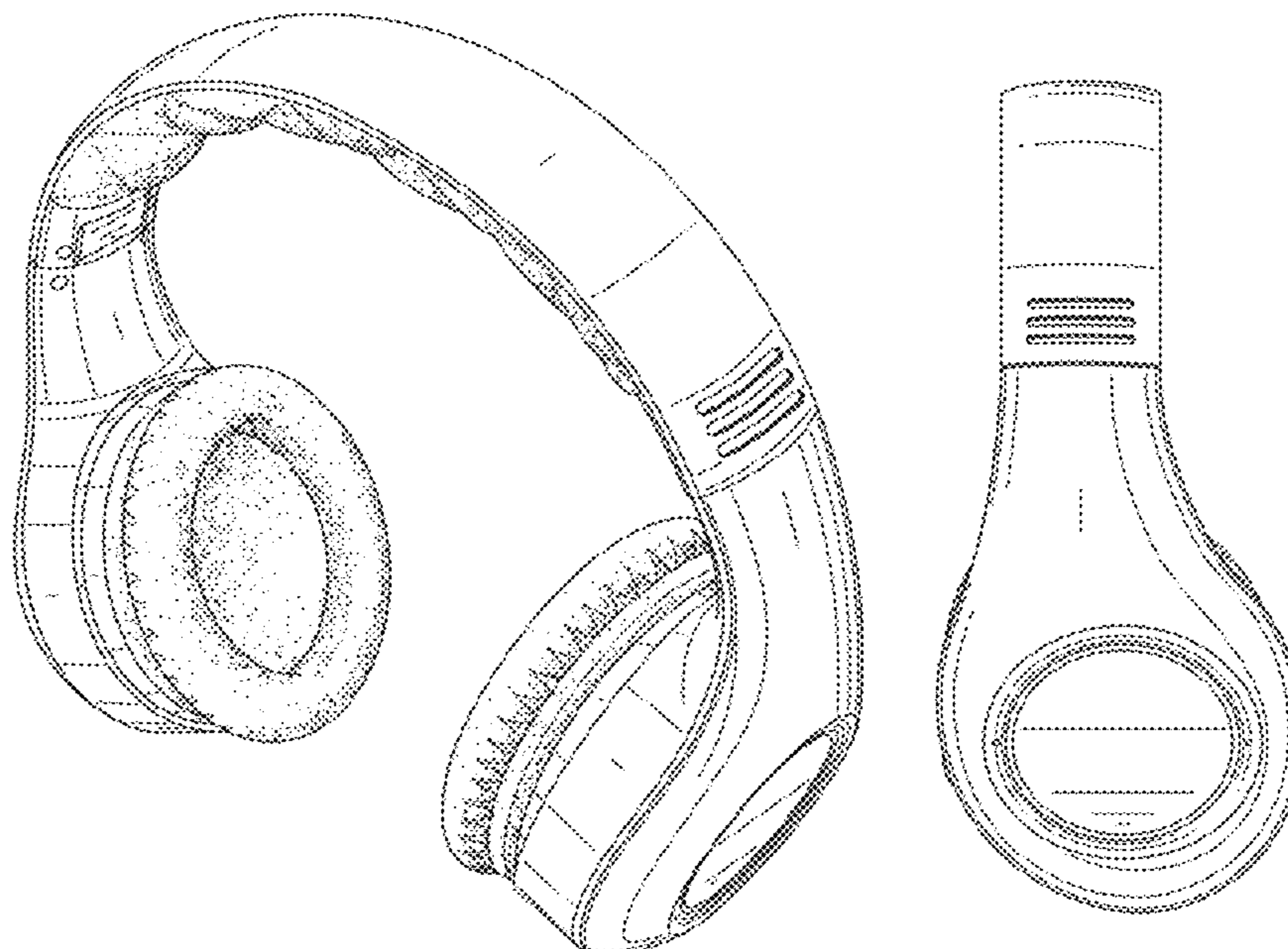
FIG. 4 is a left side view of the headphones of FIG. 1;

FIG. 5 is a right side view of the headphones of FIG. 1;

FIG. 6 is a top view of the headphones of FIG. 1; and,

FIG. 7 is a bottom view of the headphones of FIG. 1.

1 Claim, 7 Drawing Sheets



OTHER PUBLICATIONS

Defendant Beats Electronics' Answer and Counter Claim & Demand for Jury Trial, *Signeo USA, LLC. vs. Beats Electronics, LLC and Monster Cable Products, Inc.*, Case No. CV11-2664 EMC in the

United State District Court for the Northern District of California San Francisco Division, dated Jul. 8, 2011.

* cited by examiner

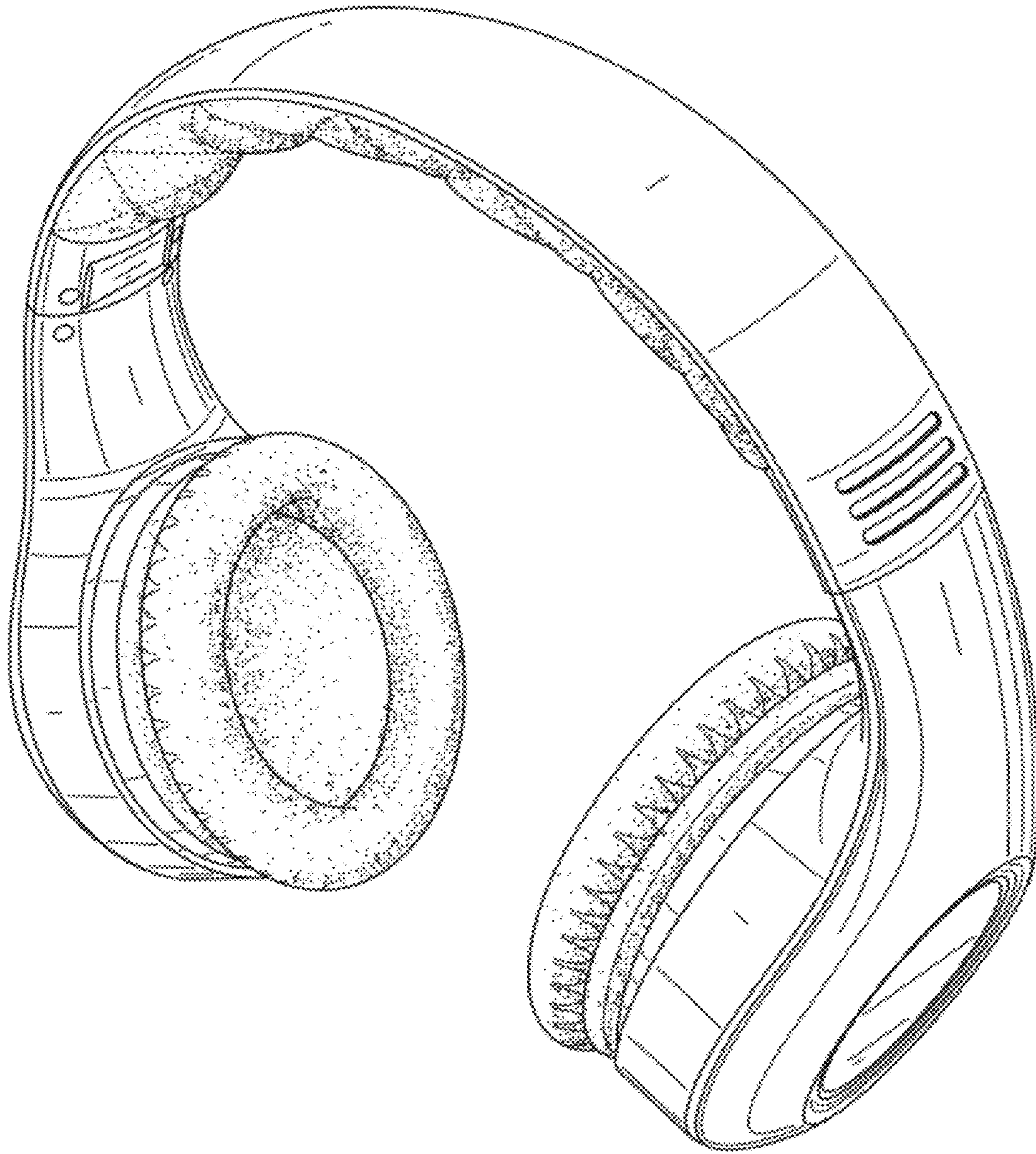


FIG. 1



FIG. 2



FIG. 3

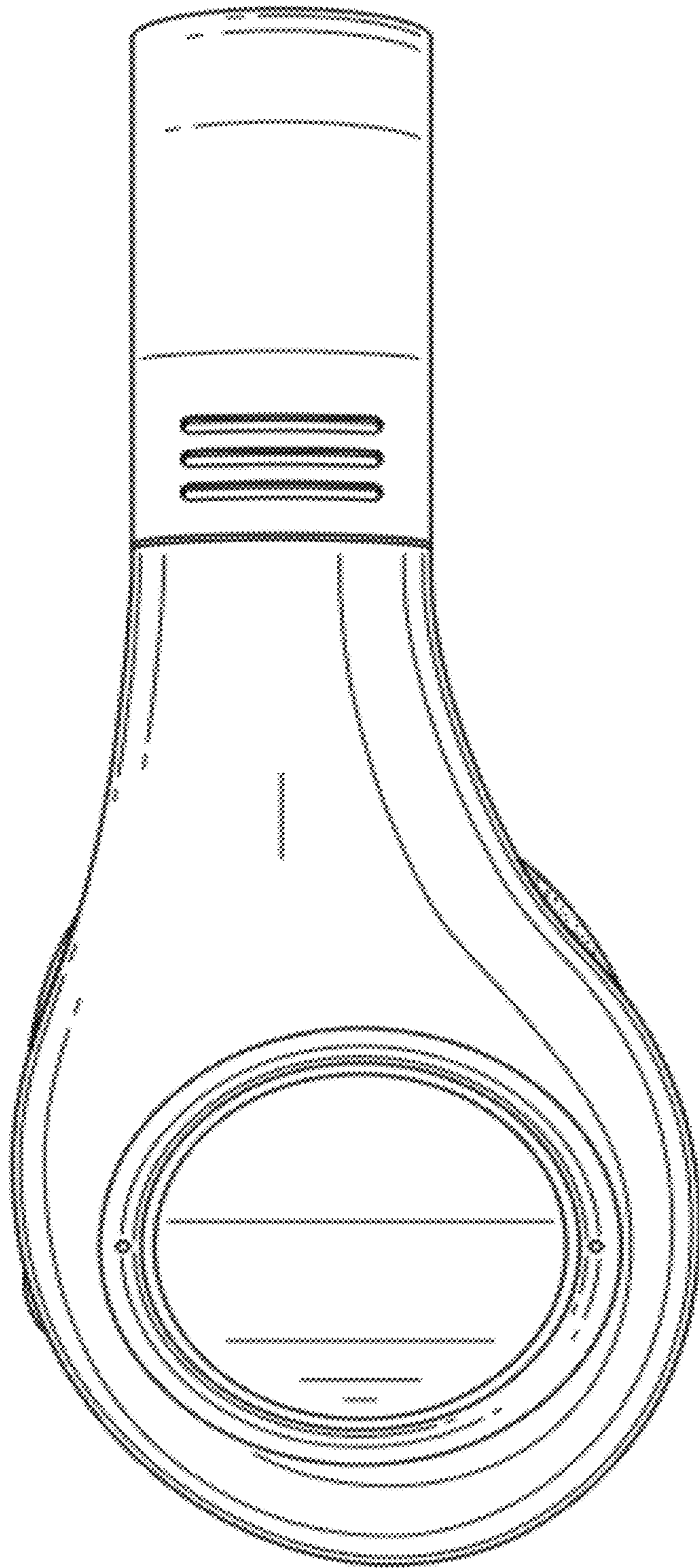


FIG. 4

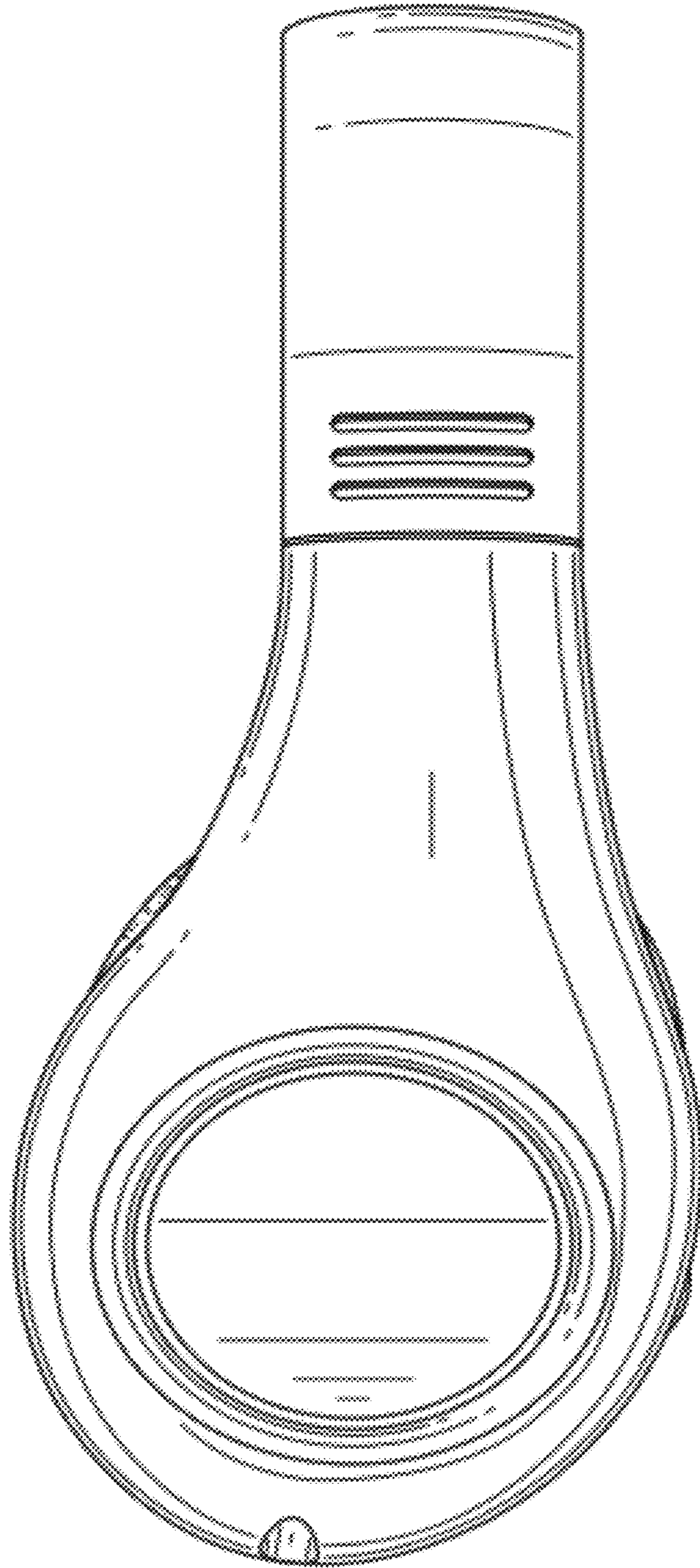


FIG. 5

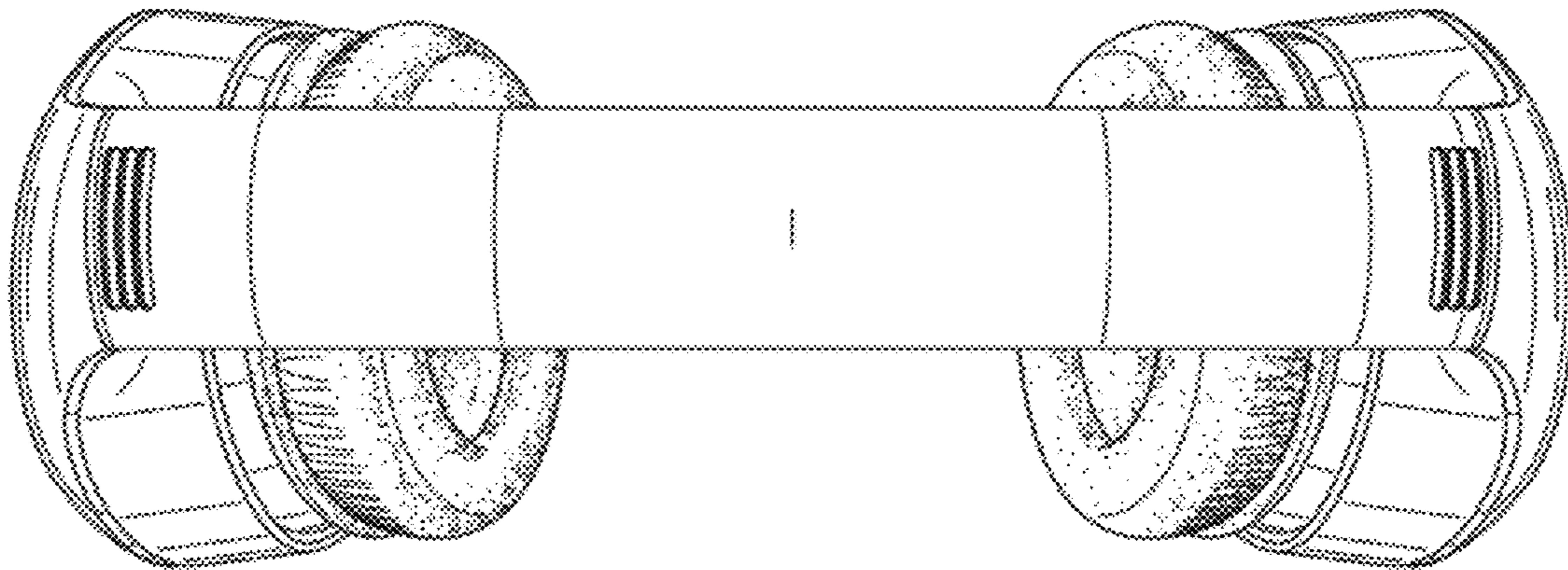


FIG. 6

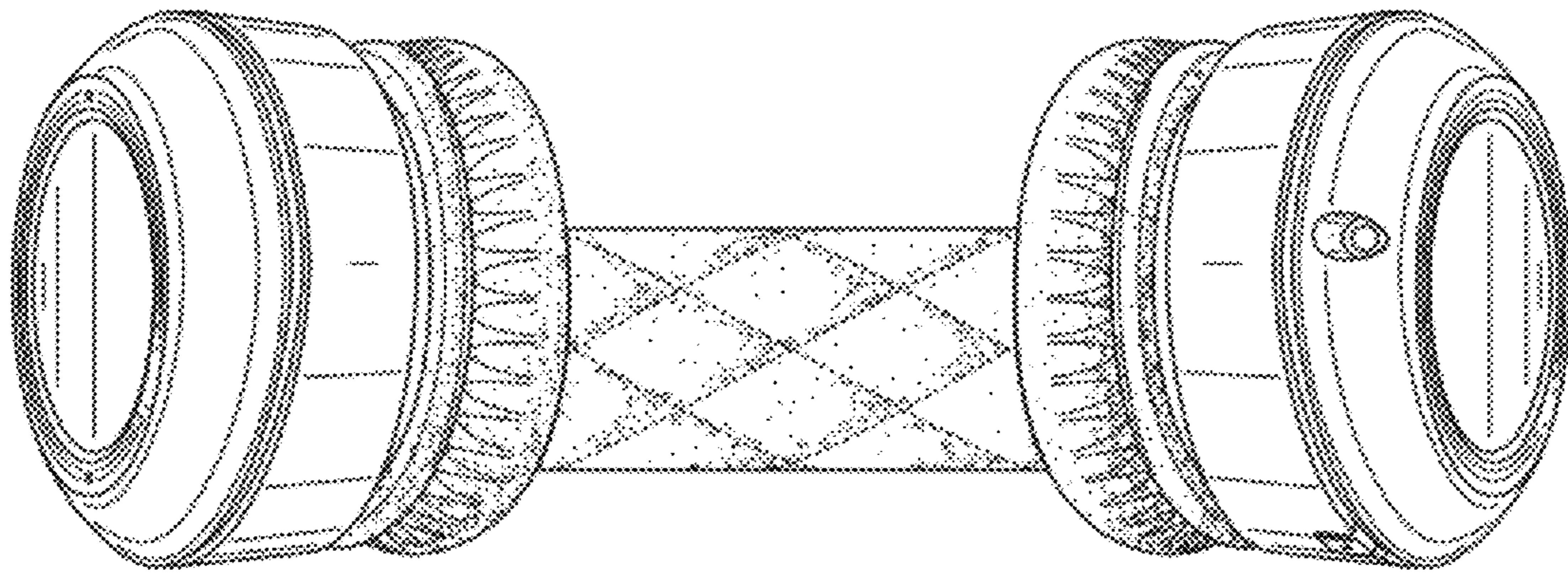


FIG. 7