



US00D664116S

(12) **United States Design Patent**  
**Hutchieson**

(10) **Patent No.:** **US D664,116 S**  
(45) **Date of Patent:** **\*\* Jul. 24, 2012**

(54) **HEADPHONE**

(75) Inventor: **Brendan Hutchieson**, Kowloon (HK)

(73) Assignee: **Koninklijke Philips Electronics N.V.**,  
Eindhoven (NL)

(\*\*) Term: **14 Years**

(21) Appl. No.: **29/399,139**

(22) Filed: **Aug. 10, 2011**

(30) **Foreign Application Priority Data**

Feb. 10, 2011 (EM) ..... 001819467-0002

(51) **LOC (9) Cl.** ..... **14-01**

(52) **U.S. Cl.** ..... **D14/205**

(58) **Field of Classification Search** ..... D14/205,  
D14/206, 223; 181/129, 130, 135; 379/430,  
379/431, 433.01, 433.05; 381/380, 381,  
381/370, 374, 379, 361, 371, 376; D29/112,  
D29/122; 128/864, 865; 455/575.1

See application file for complete search history.

(56) **References Cited**

**U.S. PATENT DOCUMENTS**

4,597,469	A *	7/1986	Nagashima	.....	181/129
4,609,786	A *	9/1986	Omoto et al.	.....	381/383
4,634,816	A *	1/1987	O'Malley et al.	.....	379/430
4,689,822	A *	8/1987	Houng	.....	381/379
D291,690	S *	9/1987	Tabachnik	.....	D14/205
D292,205	S *	10/1987	Kikutani	.....	D14/205

5,033,094	A *	7/1991	Hung	.....	381/379
D323,167	S *	1/1992	Yamazaki et al.	.....	D14/205
5,113,428	A *	5/1992	Fitzgerald	.....	455/575.2
D328,074	S *	7/1992	Yamazaki et al.	.....	D14/205
D351,172	S *	10/1994	Nakamura et al.	.....	D14/205
5,793,870	A *	8/1998	Conley	.....	380/54
6,016,574	A *	1/2000	Chen	.....	2/209
D430,140	S *	8/2000	Roman	.....	D14/205
6,880,174	B2 *	4/2005	Prokop	.....	2/209
D625,705	S *	10/2010	Ohuri et al.	.....	D14/205
D632,668	S *	2/2011	Brunner et al.	.....	D14/205
D634,732	S *	3/2011	Kondo et al.	.....	D14/205
D635,958	S *	4/2011	Ando et al.	.....	D14/205
D635,959	S *	4/2011	Hutchieson	.....	D14/205
D637,176	S *	5/2011	Brunner et al.	.....	D14/205
D639,776	S *	6/2011	Arimoto	.....	D14/205
D652,406	S *	1/2012	Lee et al.	.....	D14/205
D654,472	S *	2/2012	Fischer	.....	D14/206

\* cited by examiner

*Primary Examiner* — Paula Greene

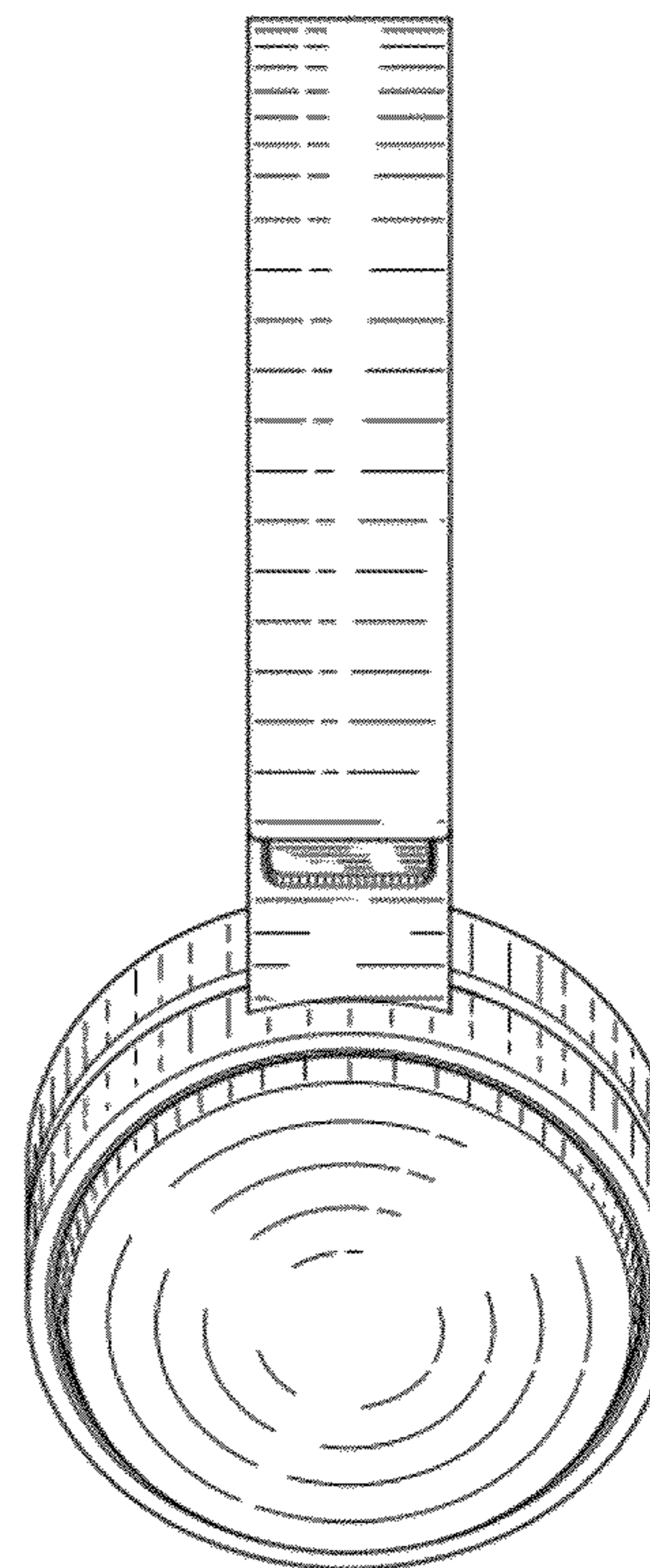
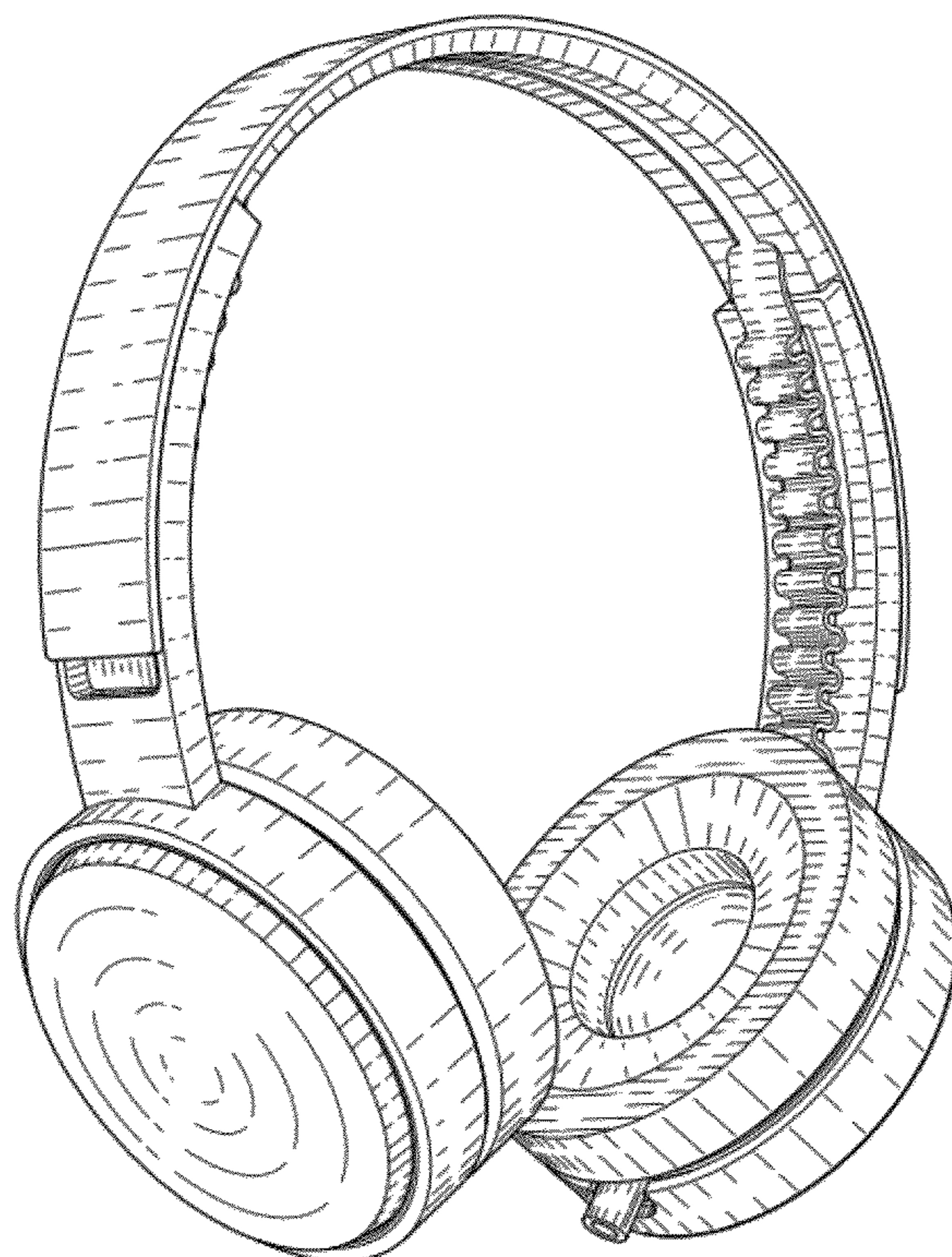
(57) **CLAIM**

The ornamental design for a headphone, as shown.

**DESCRIPTION**

FIG. 1 is a perspective view showing my design;  
FIG. 2 is a front elevational view thereof;  
FIG. 3 is a rear elevational view thereof;  
FIG. 4 is a right side elevational view thereof;  
FIG. 5 is a left side elevational view thereof;  
FIG. 6 is a top plan view thereof; and,  
FIG. 7 is a bottom plan view thereof.

**1 Claim, 5 Drawing Sheets**



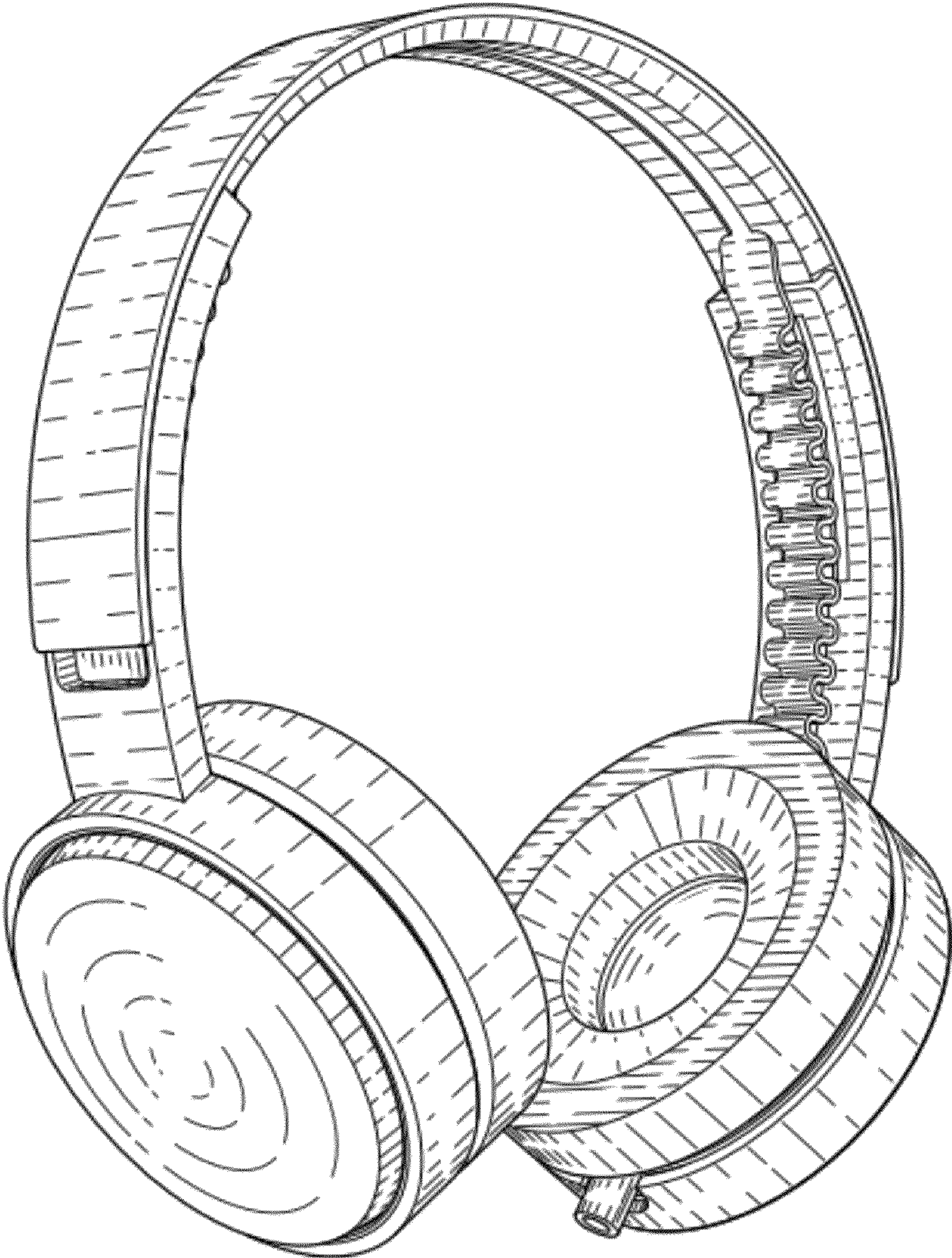


FIG. 1

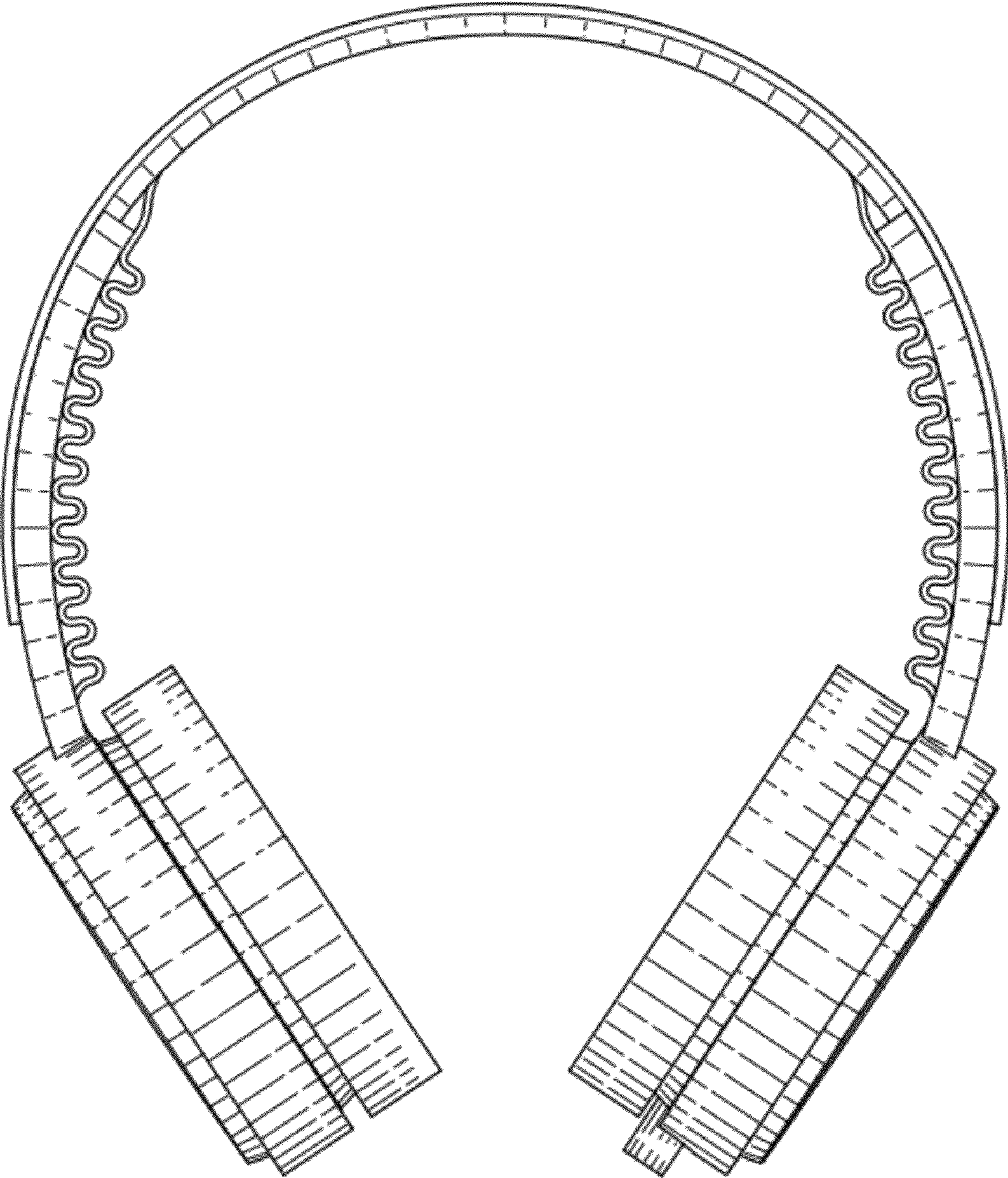


FIG.2

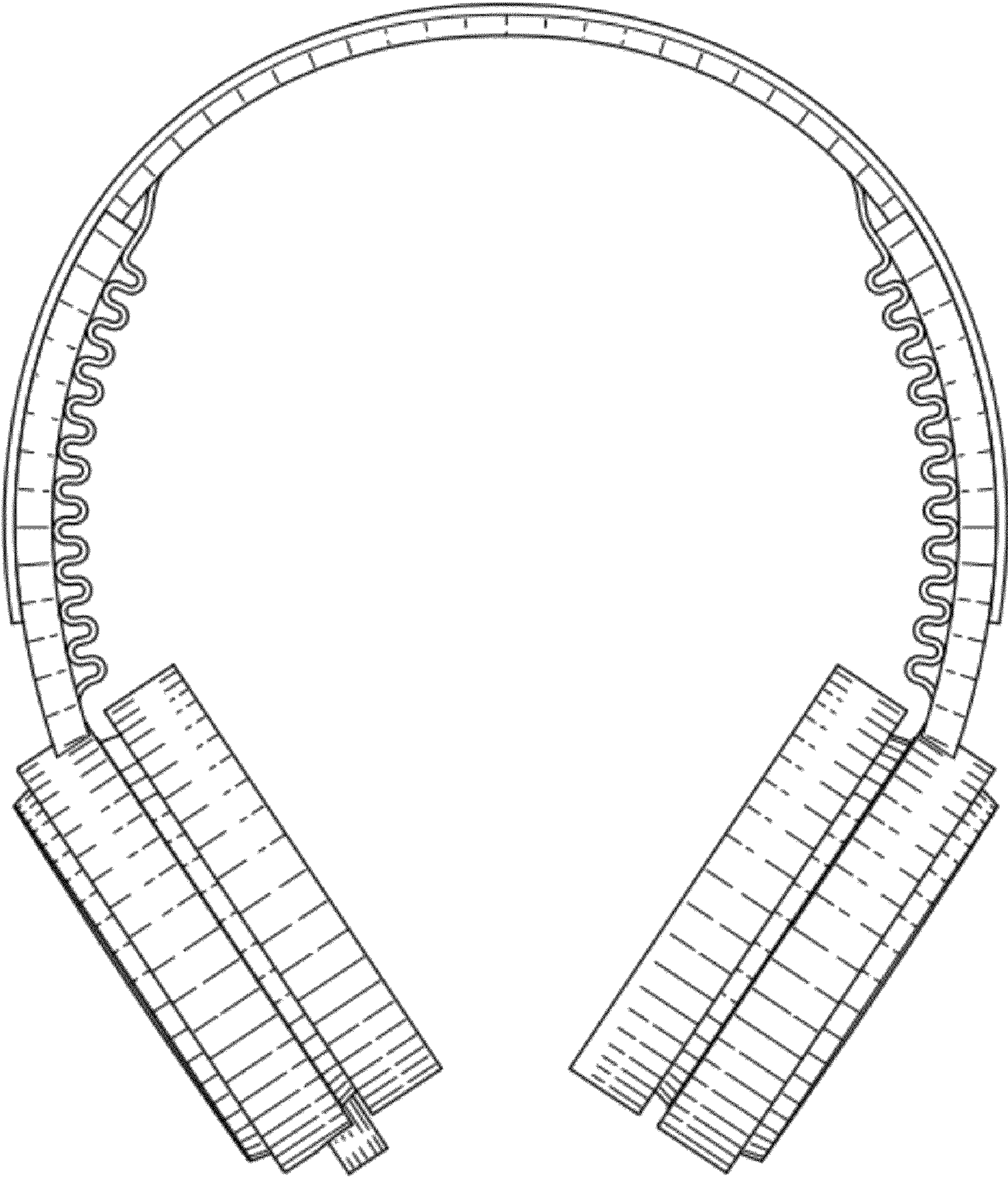


FIG.3

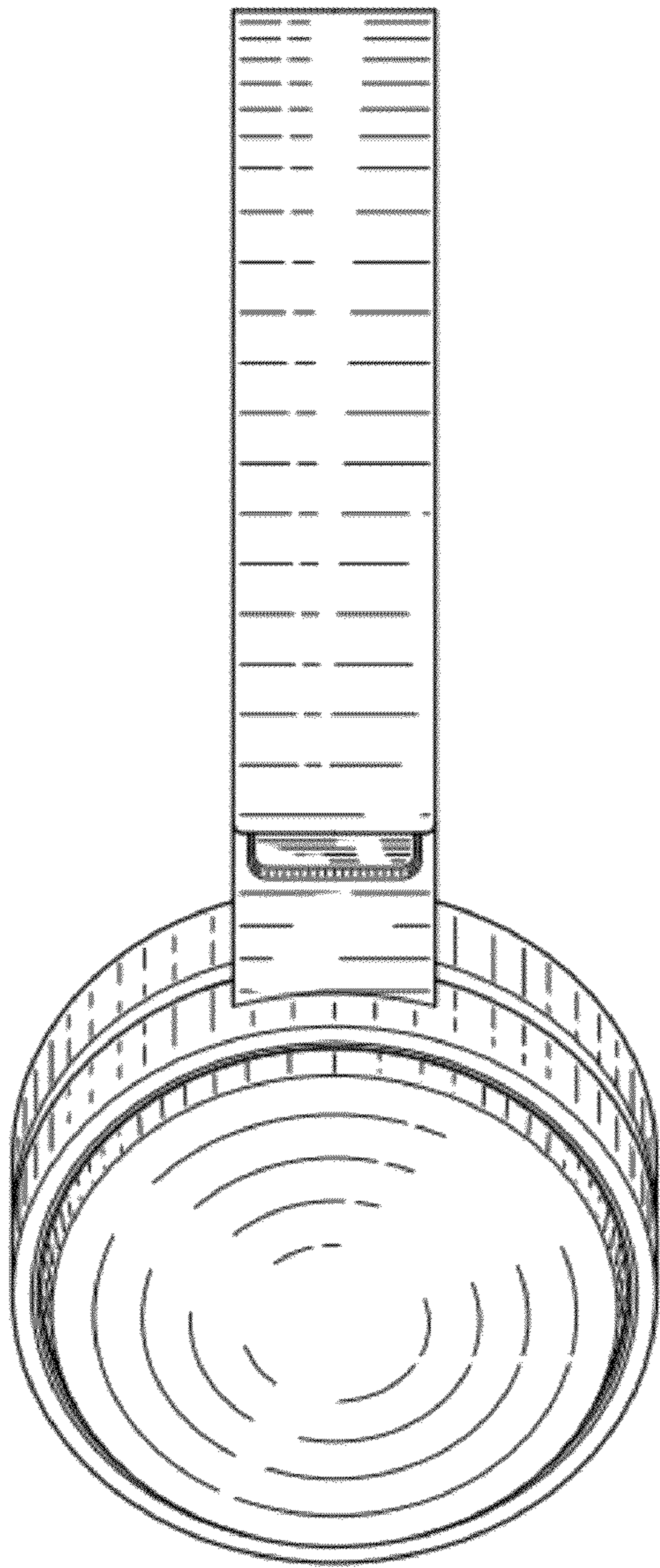


FIG.4

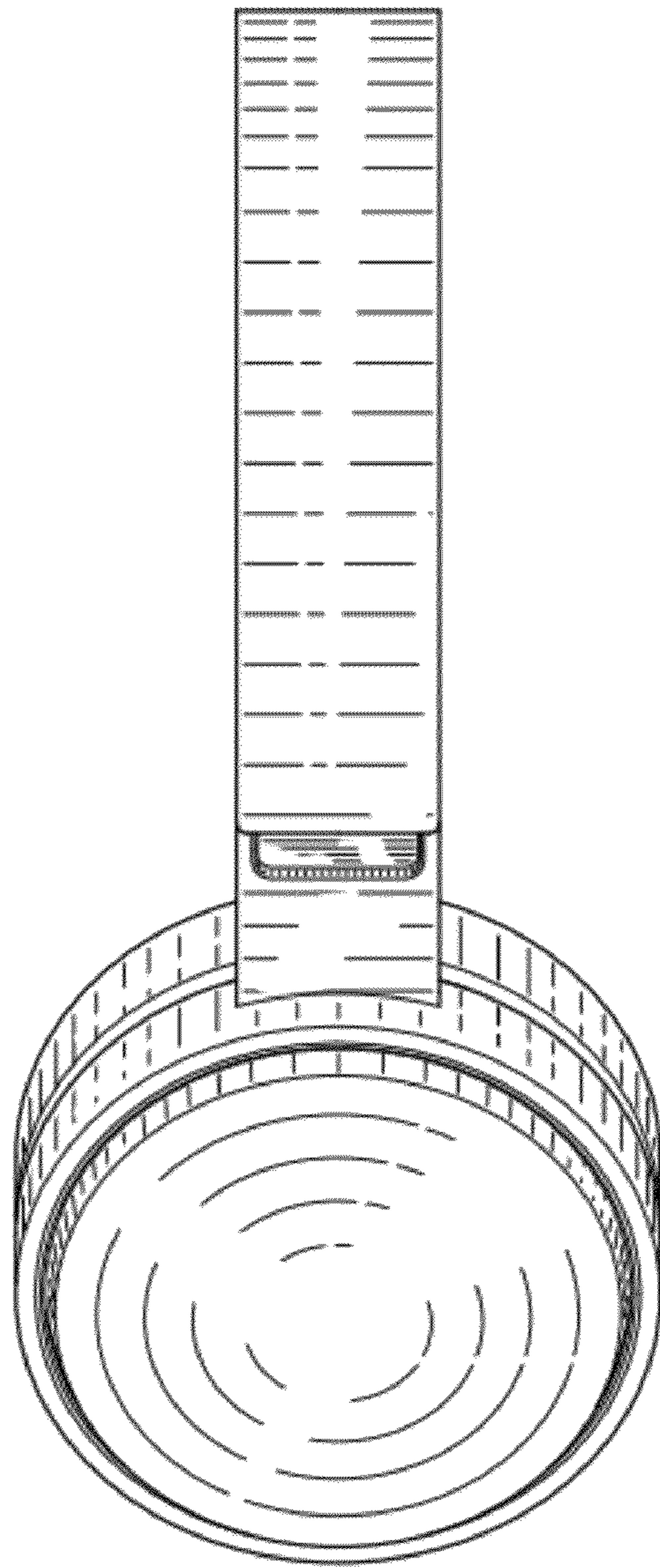


FIG.5

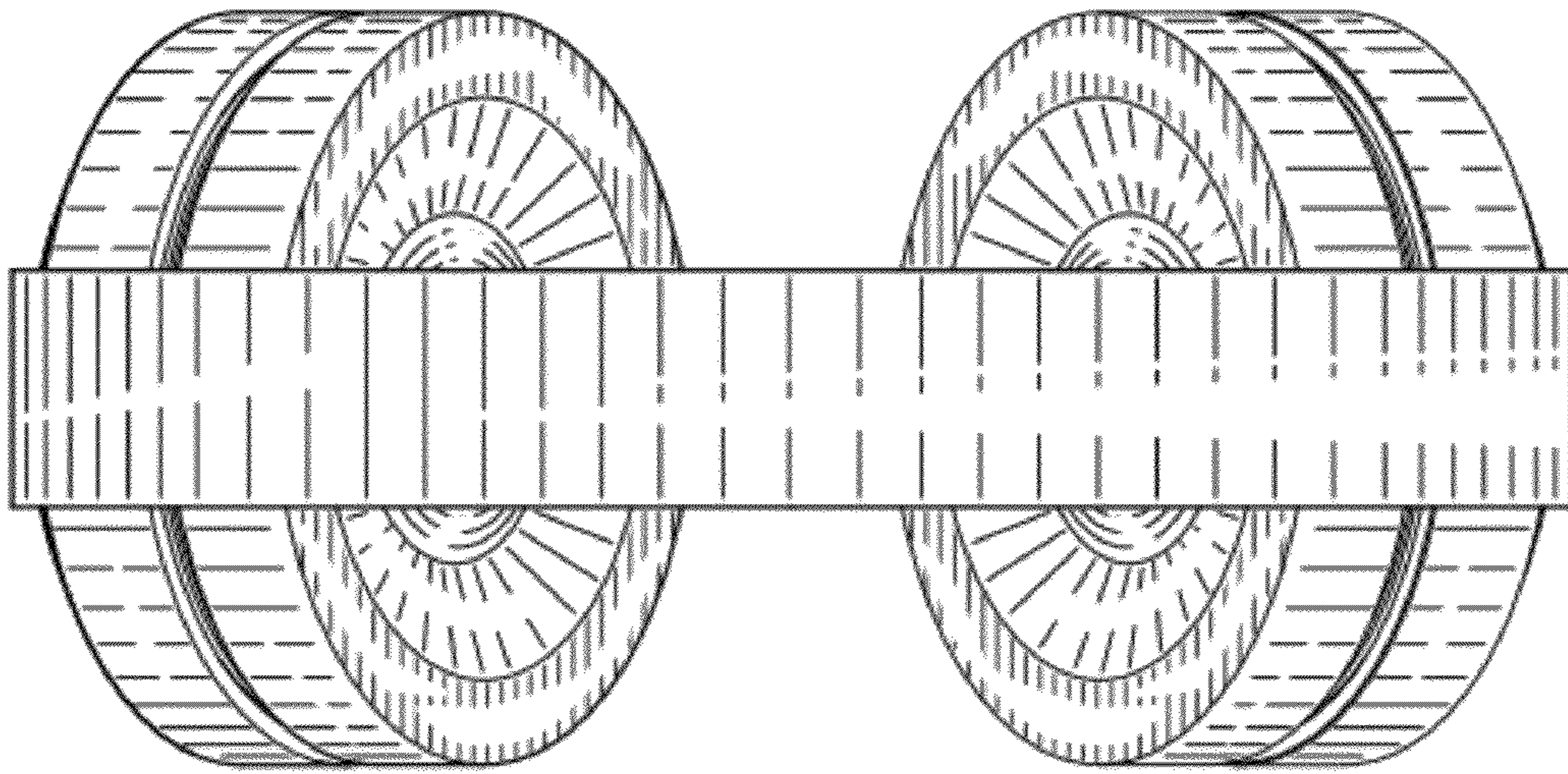


FIG. 6

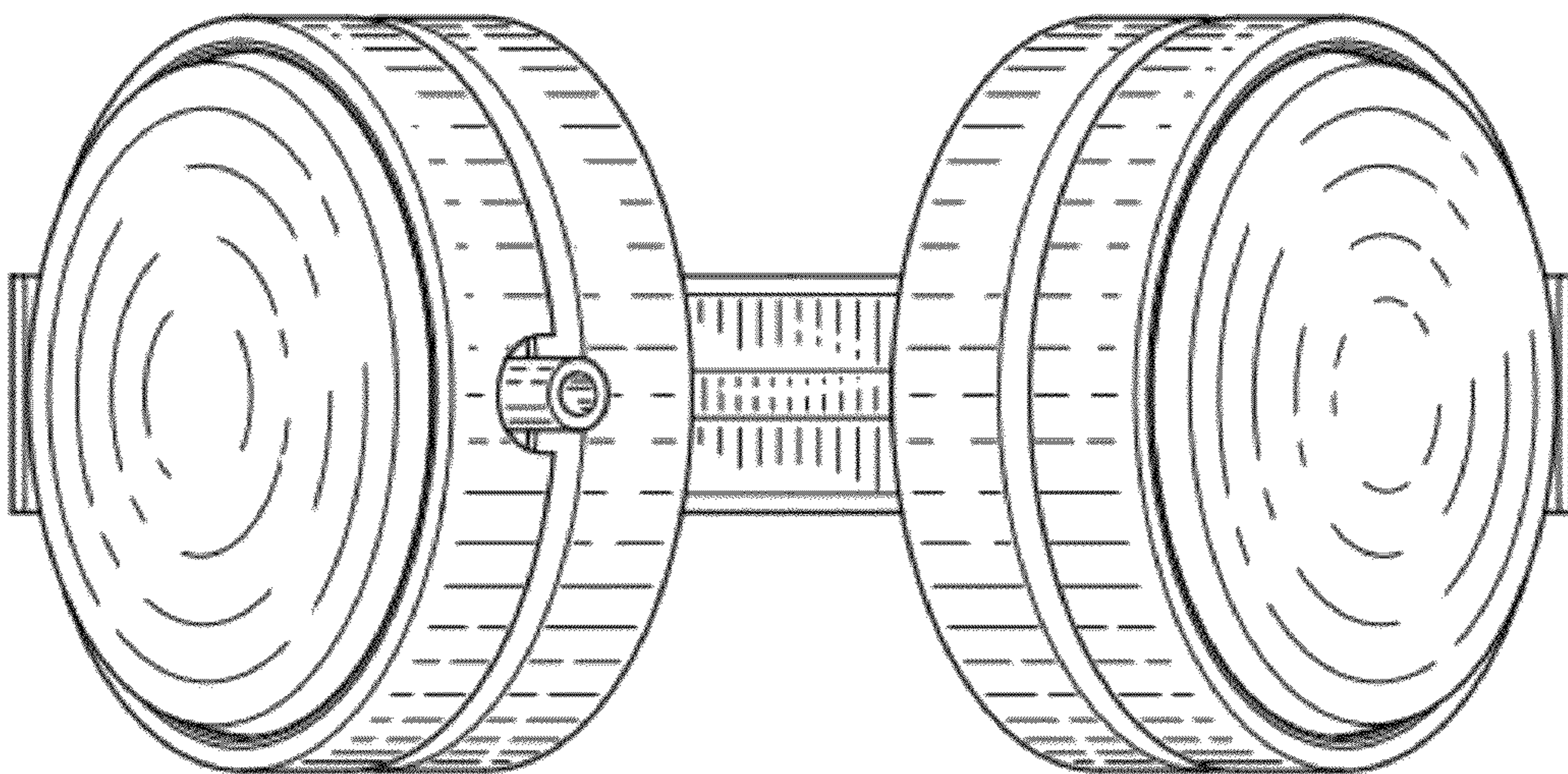


FIG. 7