



US00D664112S

(12) **United States Design Patent**
Fukuoka et al.

(10) **Patent No.:** **US D664,112 S**
(45) **Date of Patent:** **** Jul. 24, 2012**

(54) **AUDIO RECORDER**

(75) Inventors: **Akihiko Fukuoka**, Shizuoka (JP);
Akihito Kimura, Shizuoka (JP)

(73) Assignee: **Roland Corporation**, Hamamatsu,
Shizuoka (JP)

(**) Term: **14 Years**

(21) Appl. No.: **29/414,226**

(22) Filed: **Feb. 27, 2012**

(51) **LOC (9) Cl.** **14-01**

(52) **U.S. Cl.** **D14/167**

(58) **Field of Classification Search** D14/167,
D14/154, 168, 188, 496, 156, 160, 161, 162,
D14/163, 164, 165, 158, 203.1, 341, 346,
D14/342, 345, 225, 226, 228, 227, 214; 455/351,
455/350; D19/60, 62; D21/330; 369/44.14,
369/44.32; 700/94

See application file for complete search history.

(56) **References Cited**

U.S. PATENT DOCUMENTS

D486,466 S *	2/2004	Tanaka	D14/167
D489,057 S *	4/2004	Obata et al.	D14/225
D532,411 S *	11/2006	Shimizu	D14/228
D581,898 S *	12/2008	Oka	D14/167
D601,120 S *	9/2009	Aoki	D14/167
D611,925 S *	3/2010	Miyazaki	D14/167
D623,166 S *	9/2010	Oka	D14/167
D623,172 S *	9/2010	Kondo et al.	D14/227

D640,230 S * 6/2011 Sakai et al. D14/167
D649,524 S * 11/2011 Miyazaki D14/167

* cited by examiner

Primary Examiner — Austin Murphy

(74) *Attorney, Agent, or Firm* — Fish & Richardson P.C.

(57) **CLAIM**

The ornamental design for an audio recorder, as shown and described.

DESCRIPTION

FIG. 1 is a front perspective view of an audio recorder showing our new design;

FIG. 2 is a front view thereof;

FIG. 3 is a rear view thereof;

FIG. 4 is a top plan view thereof;

FIG. 5 is a right side view thereof;

FIG. 6 is a left side view thereof;

FIG. 7 is an enlarged cross-sectional view of the upper portion of the article taken along line 7-7 in FIG. 4 with the internal structure partly omitted;

FIG. 8 is an enlarged cross-sectional view of the upper portion of the article taken along line 8-8 in FIG. 4 with the internal structure partly omitted;

FIG. 9 is an enlarged cross-sectional view of the upper portion of the article taken along line 9-9 in FIG. 4 with the internal structure partly omitted; and,

FIG. 10 is an enlarged cross-sectional view of the upper portion of the article taken along line 10-10 in FIG. 4 with the internal structure of partly omitted.

The features shown in broken lines in the drawings depict environmental subject matter only and form no part of the claimed design.

1 Claim, 8 Drawing Sheets

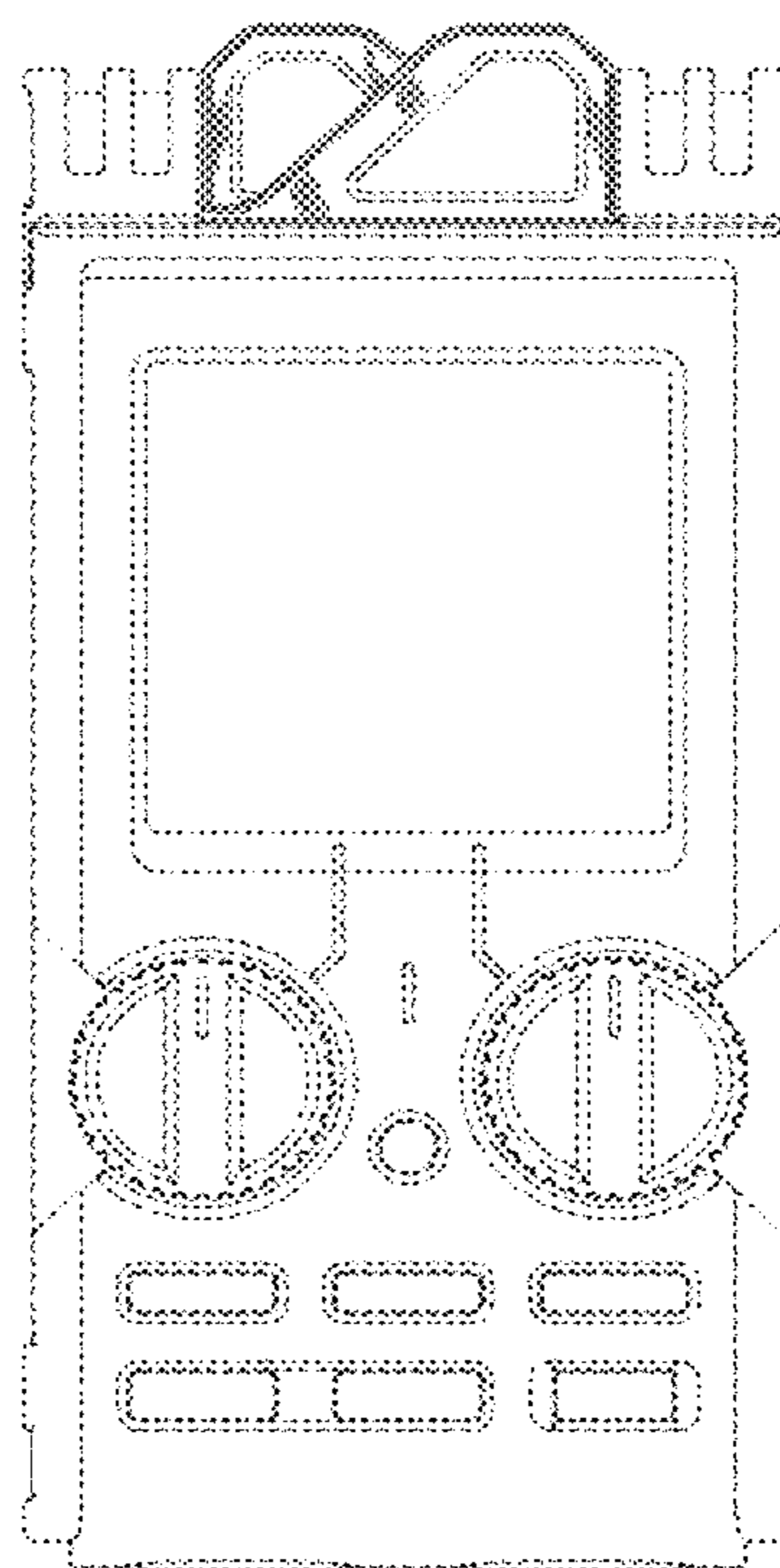
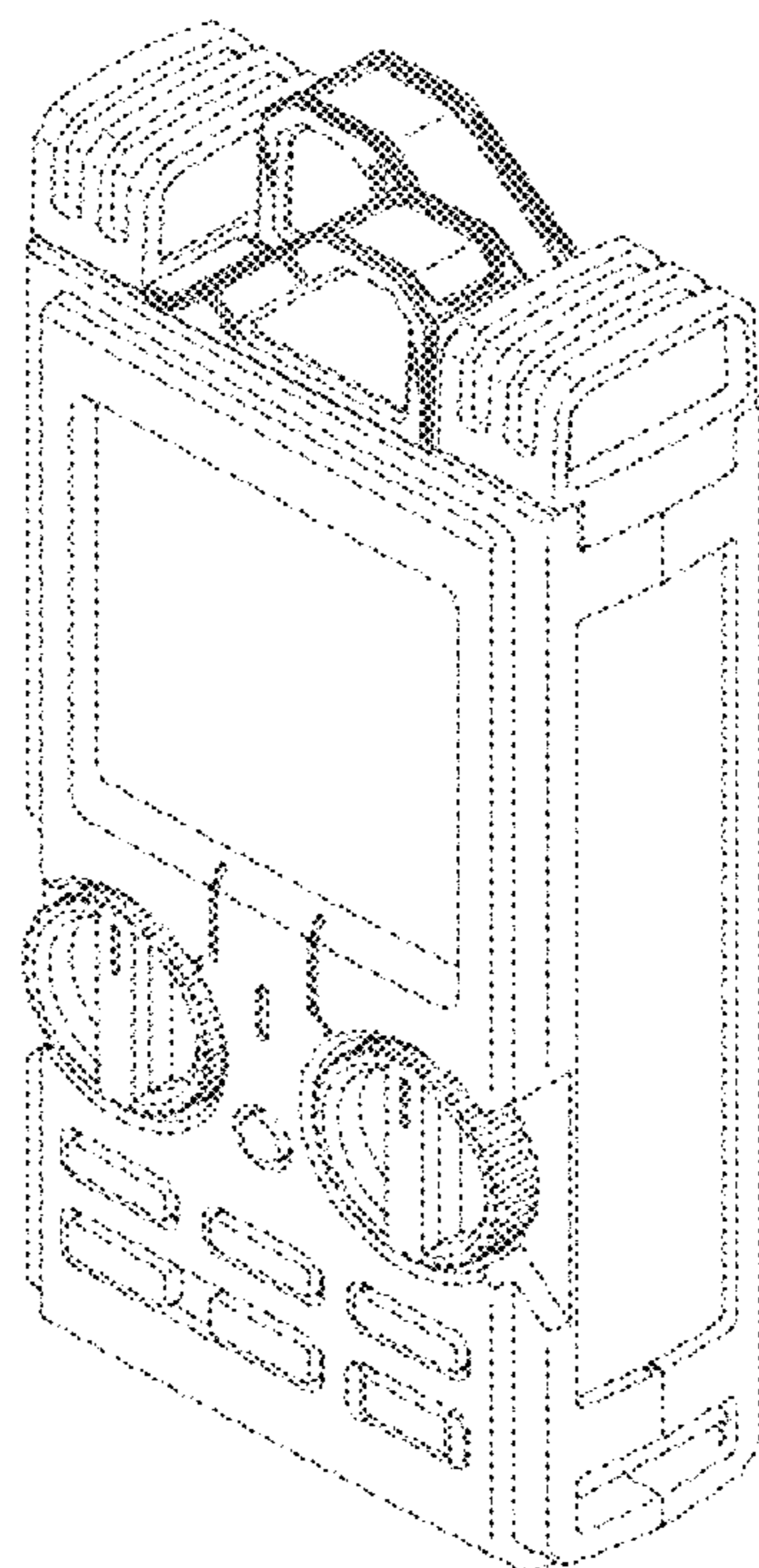


FIG. 1

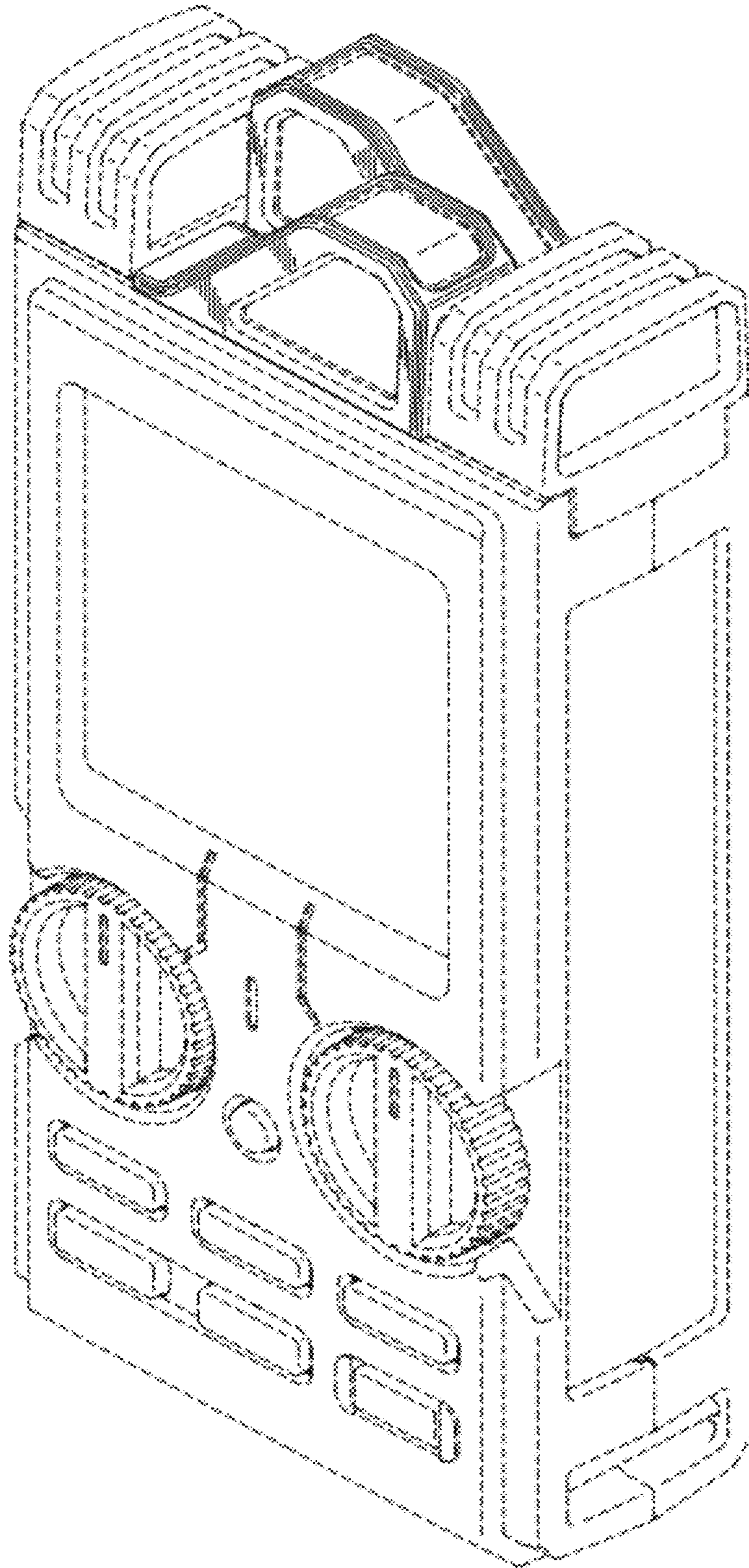


FIG. 2

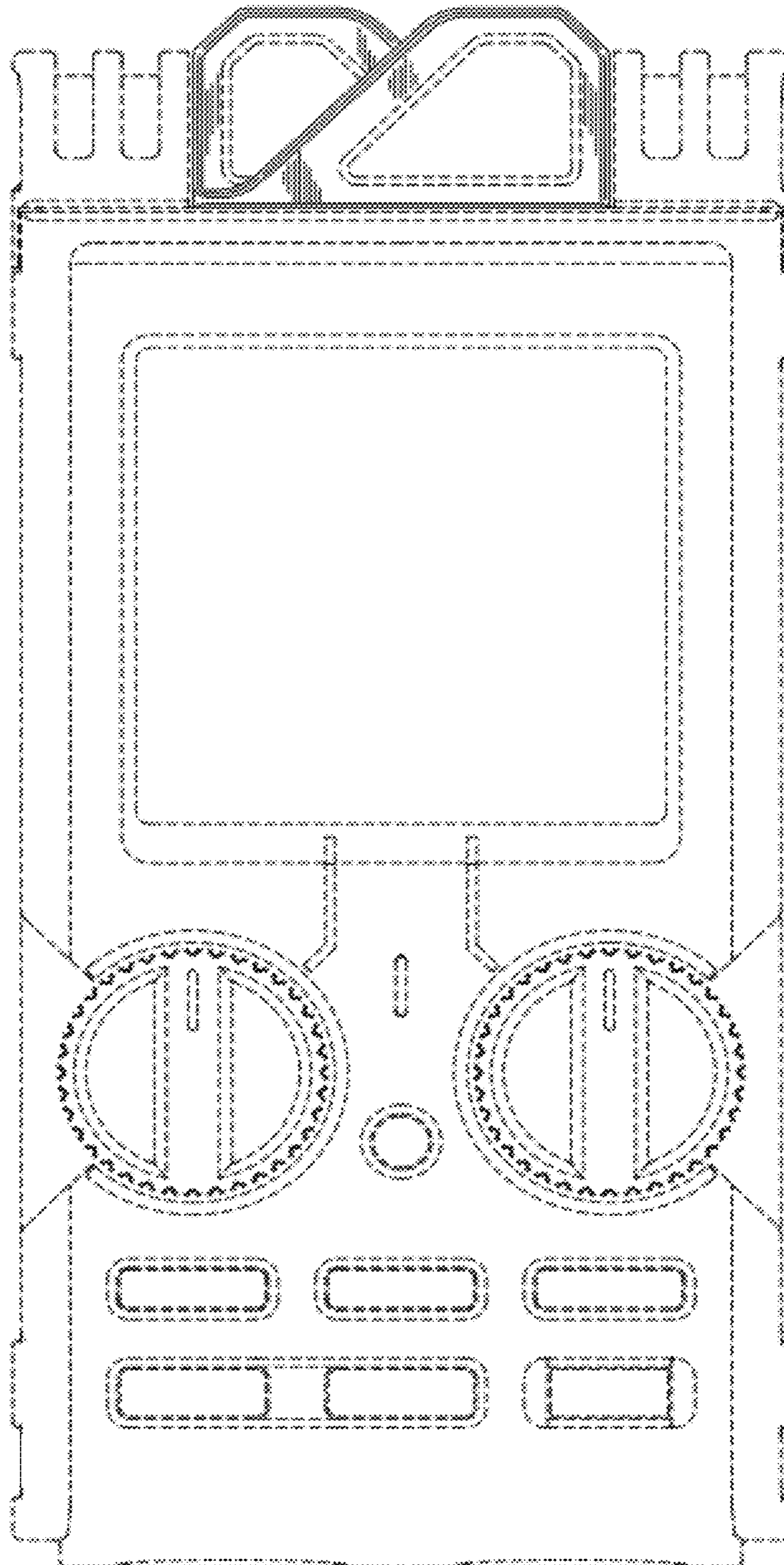


FIG. 3

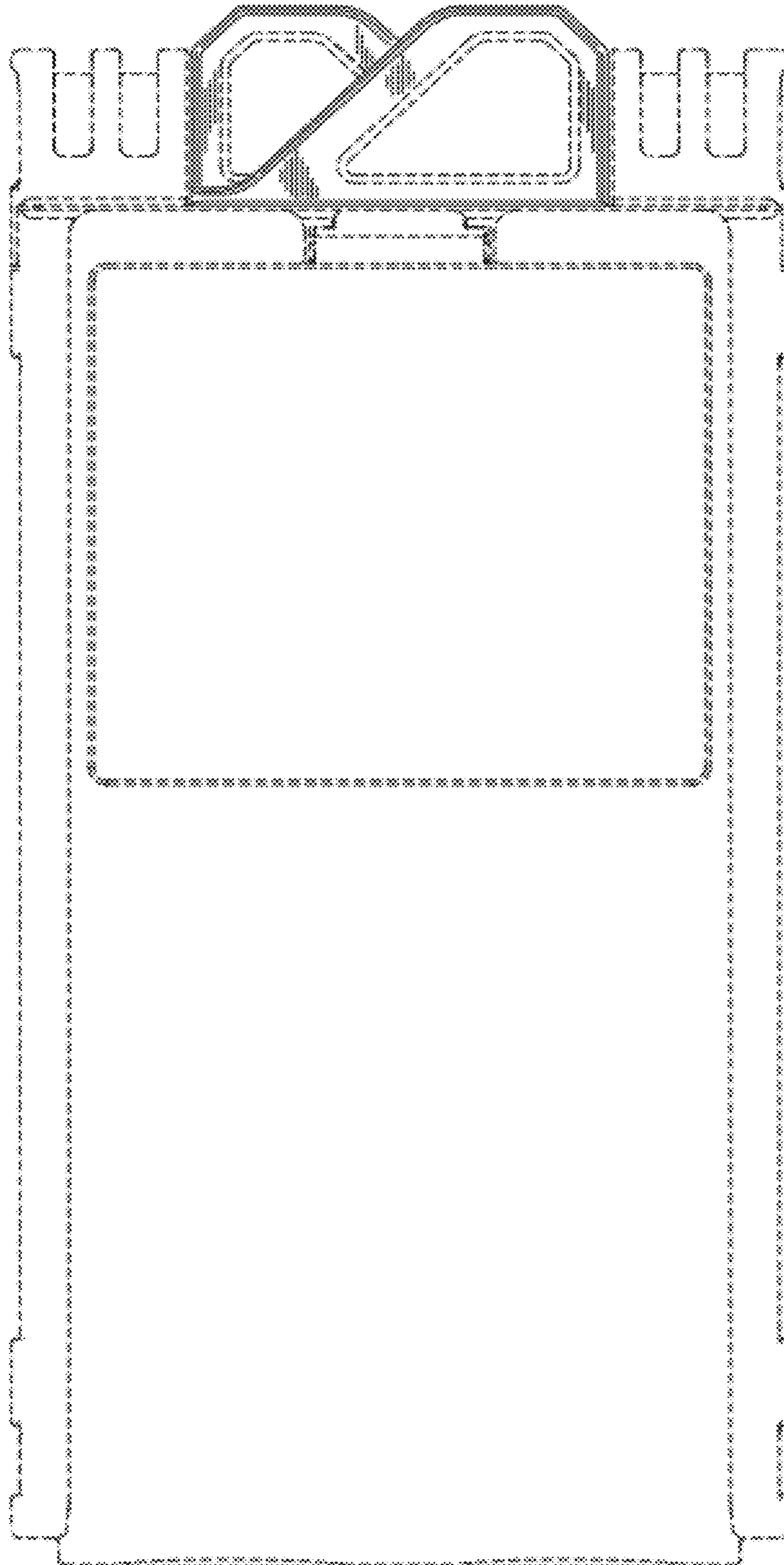


FIG. 4

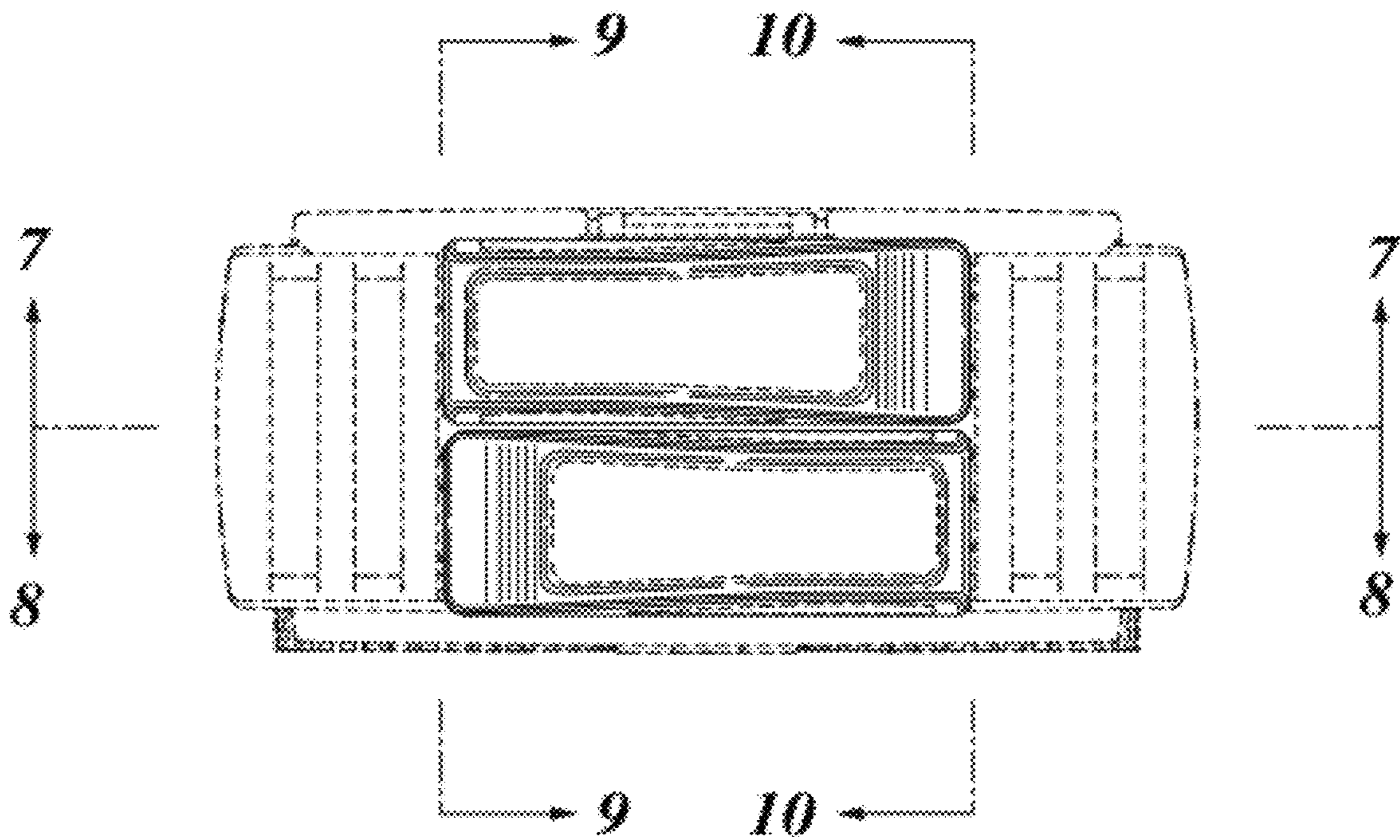


FIG. 5

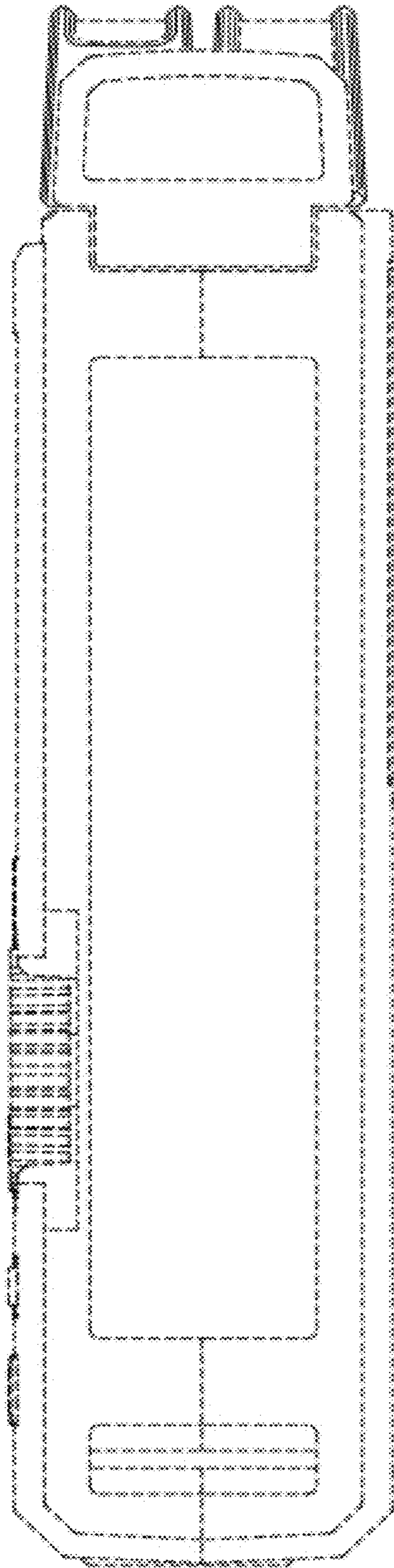


FIG. 6

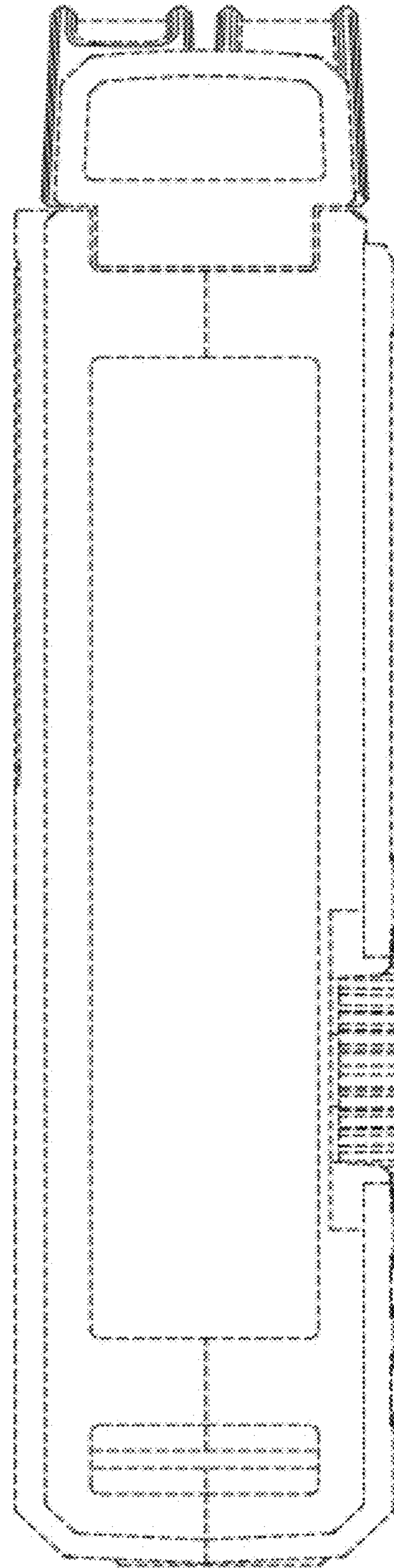


FIG. 7

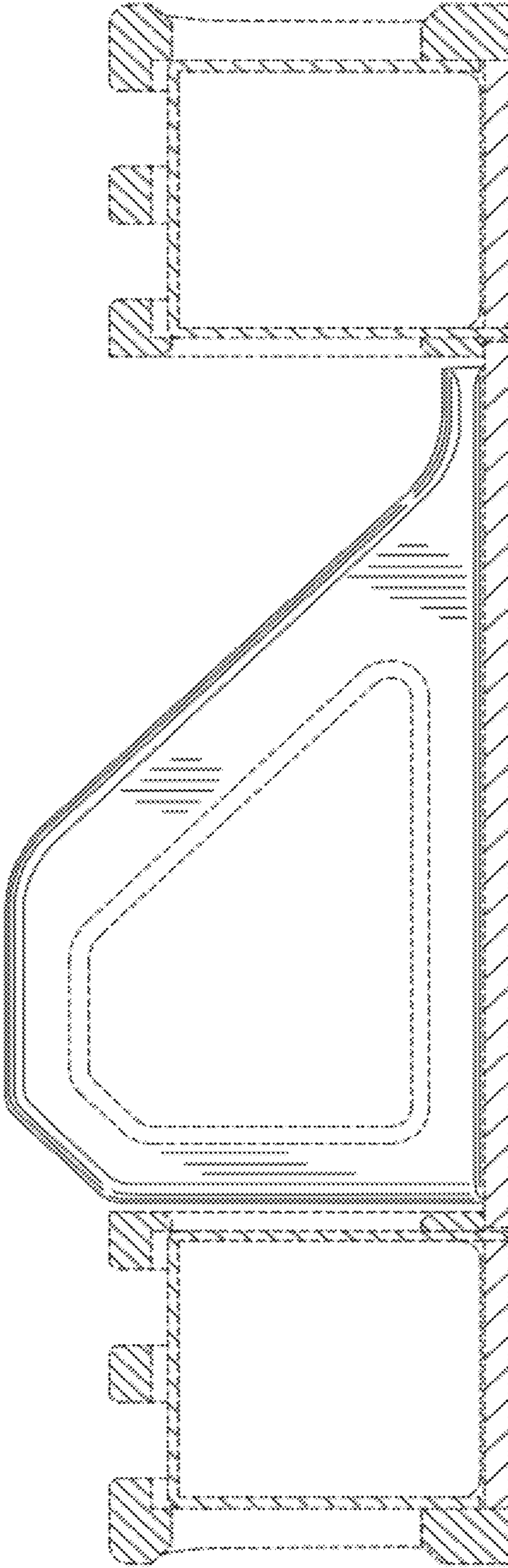


FIG. 8

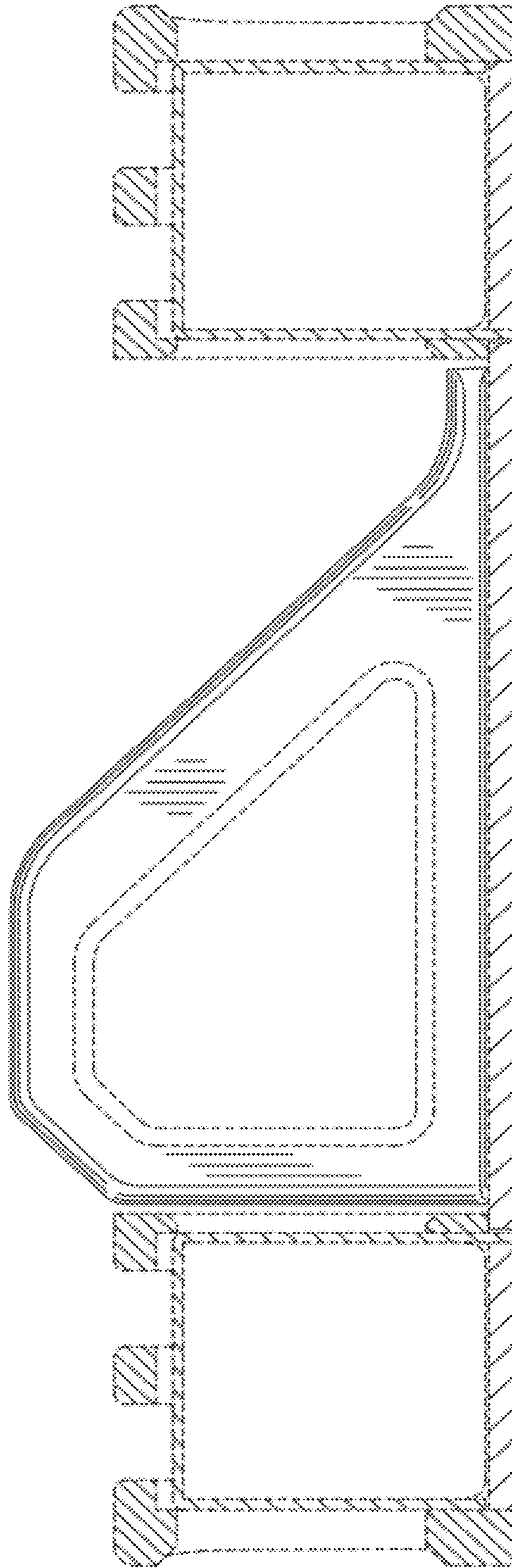


FIG. 9

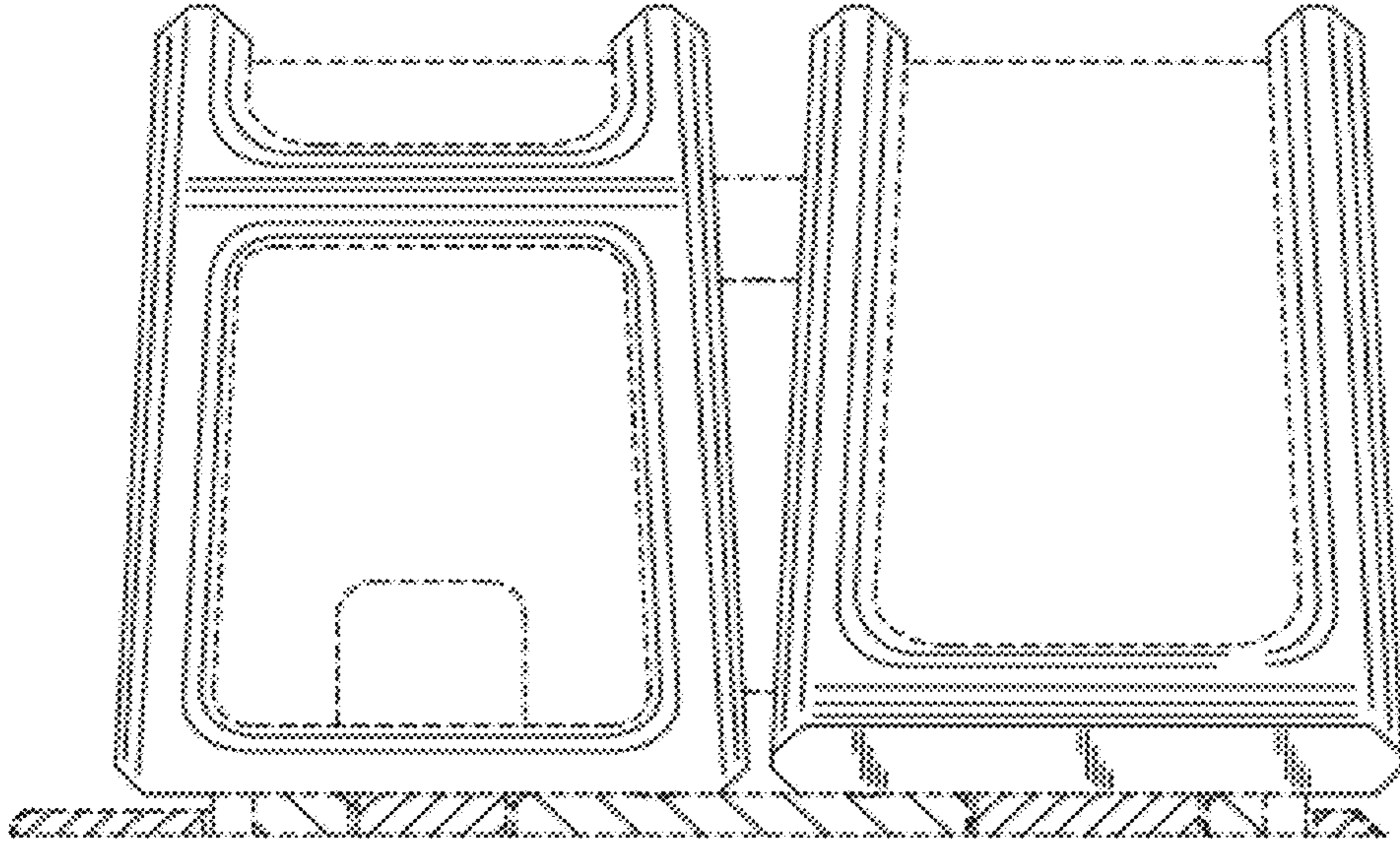


FIG. 10

