



US00D664110S

(12) **United States Design Patent**
Min et al.

(10) **Patent No.:** **US D664,110 S**
(45) **Date of Patent:** **** Jul. 24, 2012**

(54) **SUBSTRATE FOR LED PACKAGE**
(75) Inventors: **Bong Kul Min**, Seoul (KR); **Gyu Hyeong Bak**, Seoul (KR)
(73) Assignee: **LG Innotek Co., Ltd.**, Seoul (KR)
(**) Term: **14 Years**
(21) Appl. No.: **29/407,197**
(22) Filed: **Nov. 23, 2011**

2007/0096114 A1* 5/2007 Aoki et al. 257/79
2011/0127566 A1* 6/2011 Yoon 257/99
2011/0241030 A1* 10/2011 Kim 257/88
2012/0074451 A1* 3/2012 Lin 257/99

* cited by examiner

Primary Examiner — Selina Sikder

(74) *Attorney, Agent, or Firm* — Birch, Stewart, Kolasch & Birch, LLP

(30) **Foreign Application Priority Data**

May 24, 2011 (KR) 30-2011-0020939

(51) **LOC (9) Cl.** **13-03**
(52) **U.S. Cl.** **D13/180**
(58) **Field of Classification Search** D13/180;
D26/1, 2; 257/79, 80, 81, 88, 89, 95, 98,
257/99, 100, E33.058; 313/483, 498, 500;
362/555, 800

See application file for complete search history.

(56) **References Cited**

U.S. PATENT DOCUMENTS

D634,284 S * 3/2011 Ko et al. D13/180
D638,378 S * 5/2011 Ko et al. D13/180
D645,425 S * 9/2011 Lin et al. D13/180
D652,808 S * 1/2012 Chang et al. D13/180

(57) **CLAIM**

The ornamental design for a substrate for LED package, as shown and described.

DESCRIPTION

FIG. 1 is a perspective view of the substrate for LED package showing our new design;
FIG. 2 is a front view thereof, the rear view being a mirror image thereof;
FIG. 3 is a left side view thereof, the right side view being a mirror image thereof;
FIG. 4 is a top plan view thereof;
FIG. 5 is a bottom plan view thereof; and,
FIG. 6 is a cross-sectional reference view thereof through VI-VI of FIG. 2.

The broken lines shown are included for the purpose of illustrating the unclaimed portions of the article and form no part of the claim.

1 Claim, 3 Drawing Sheets

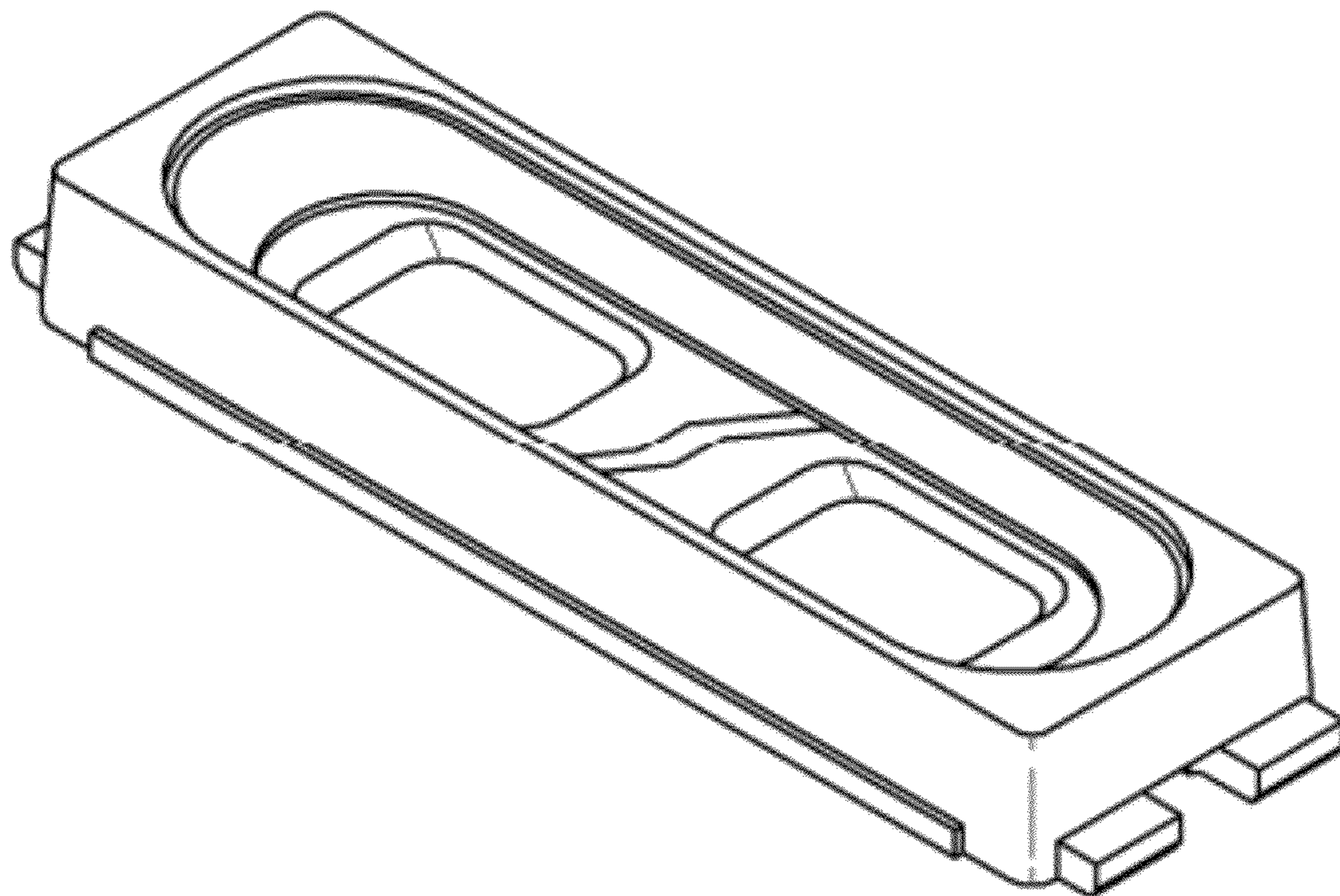


FIG. 1

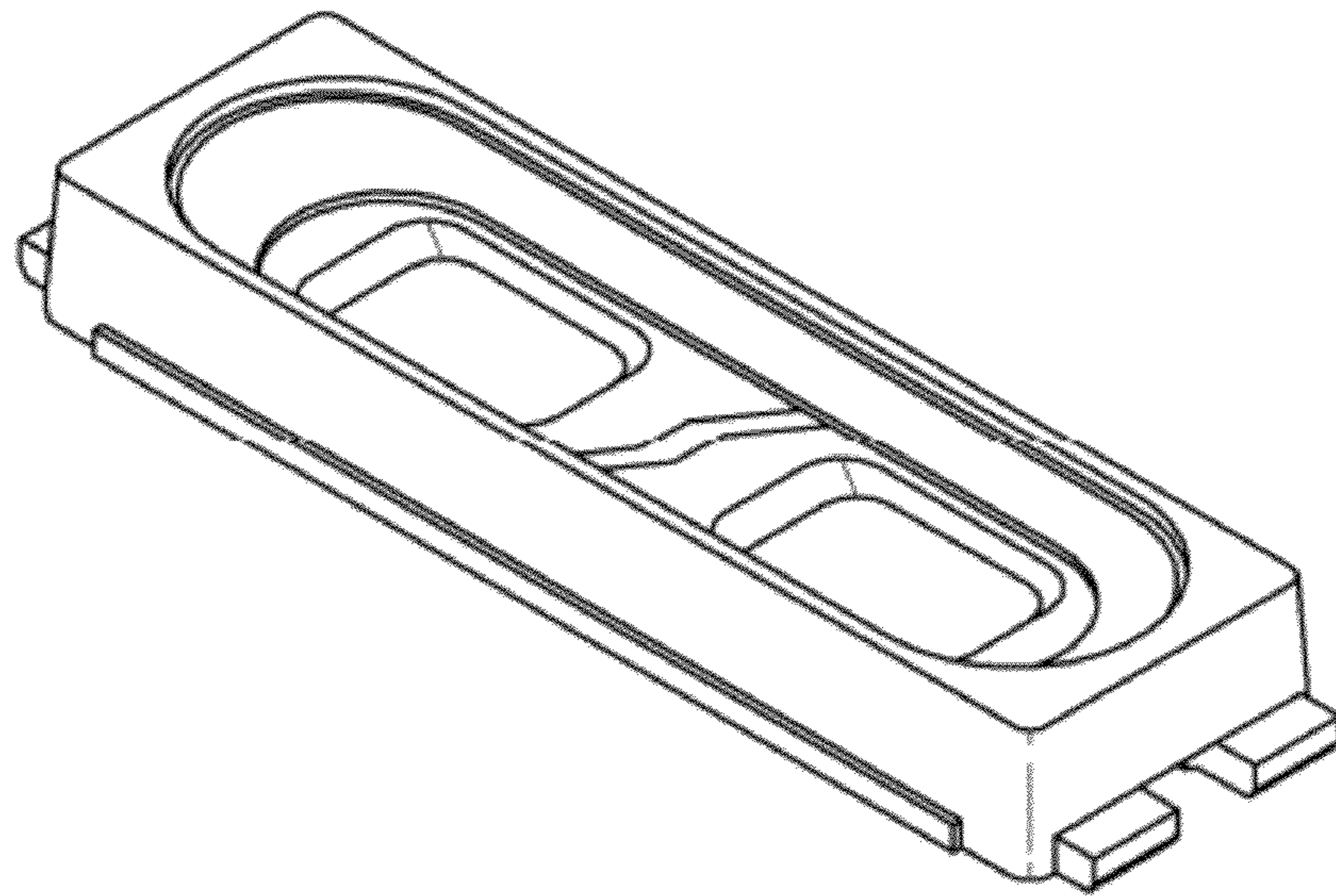


FIG. 2

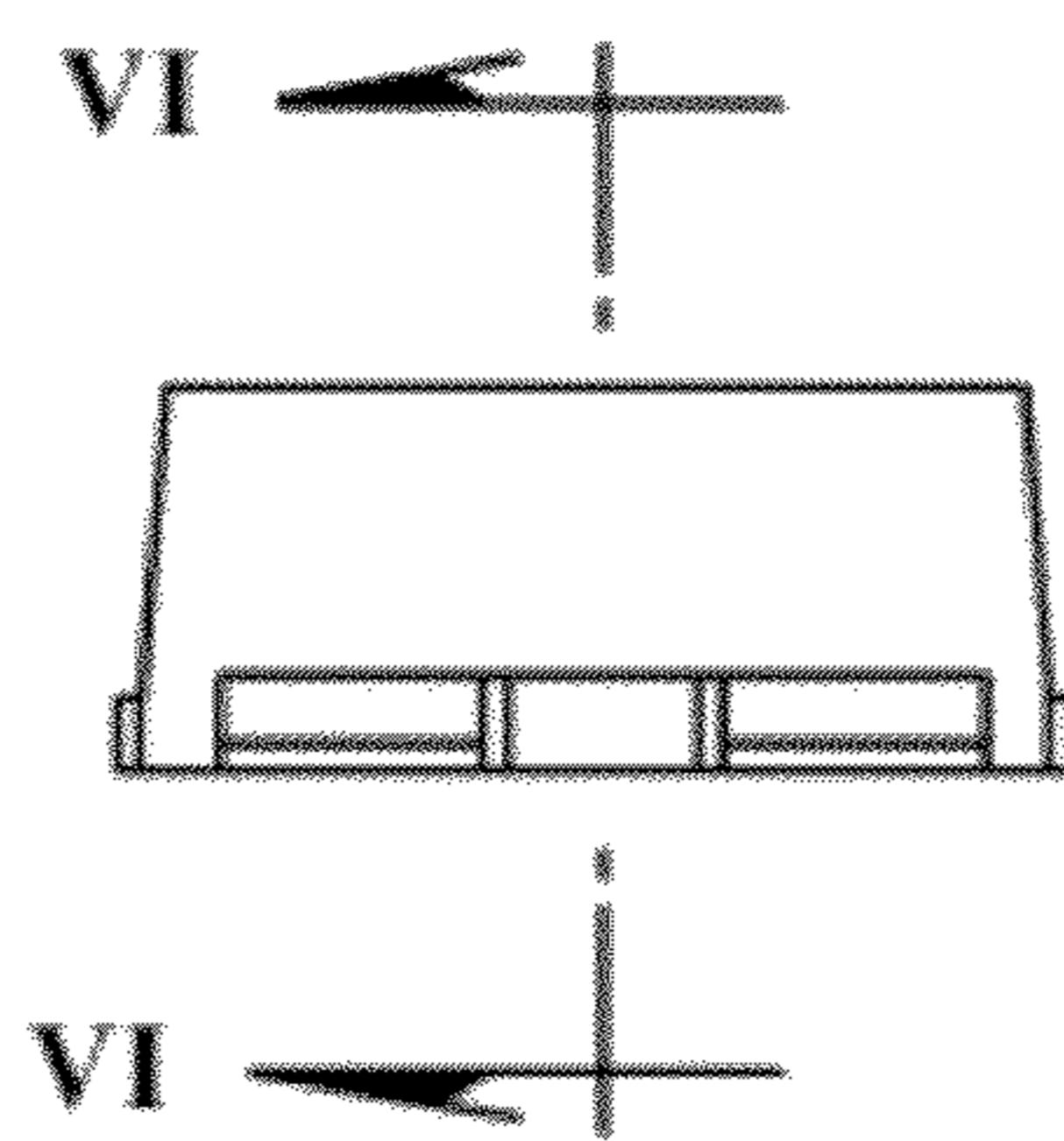


FIG. 3

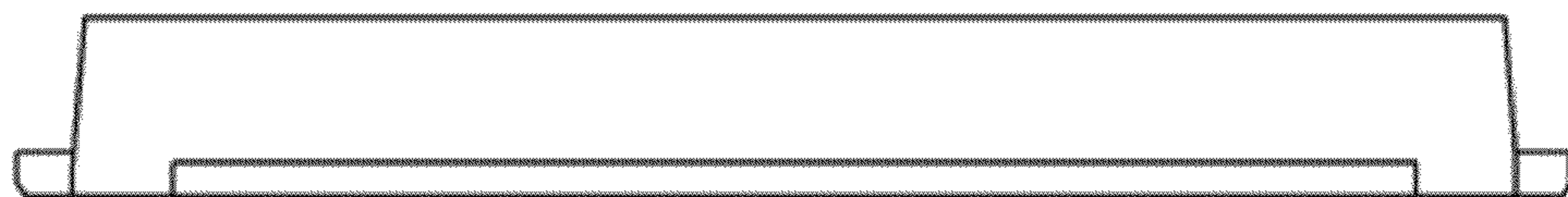


FIG. 4

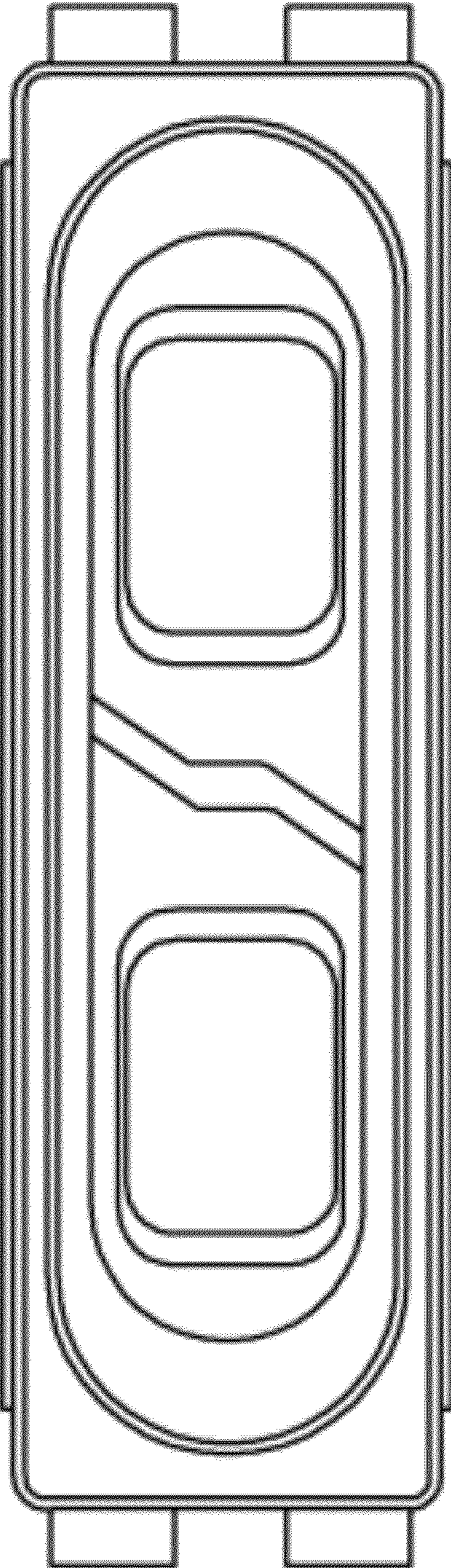


FIG. 5

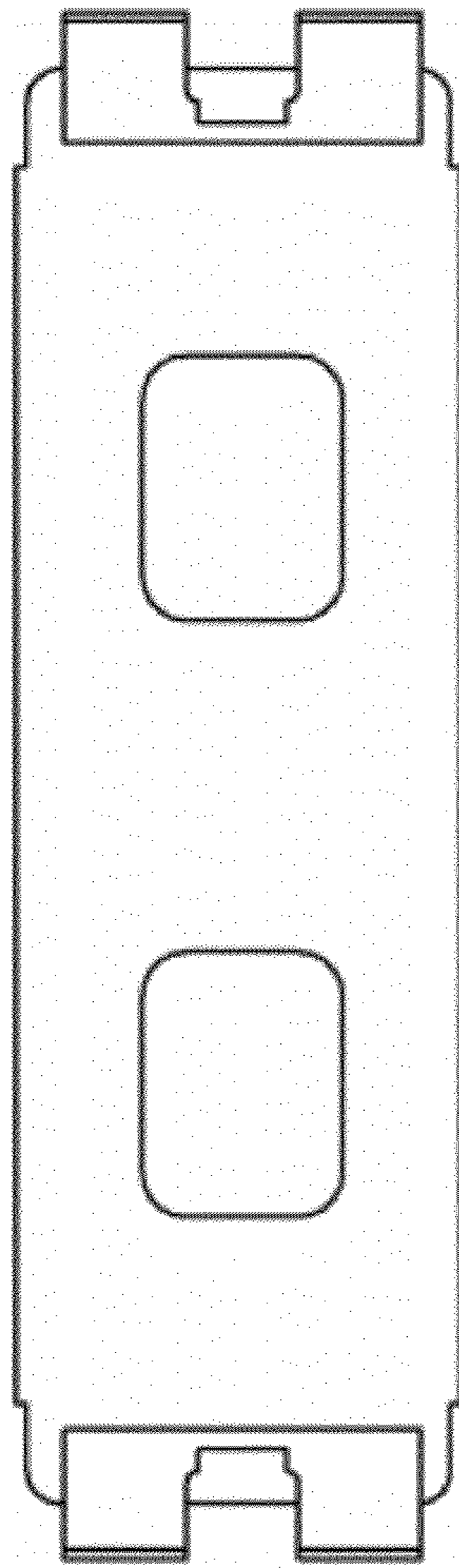


FIG. 6

