

US00D664108S

(12) **United States Design Patent**
Wang

(10) **Patent No.:** **US D664,108 S**
(45) **Date of Patent:** **** Jul. 24, 2012**

(54) **LIGHT EMITTING DIODE LEAD-FRAME**

(75) Inventor: **Chi-Kuon Wang**, Taipei (TW)

(73) Assignee: **Lextar Electronics Corp.**, Hsinchu (TW)

(**) Term: **14 Years**

(21) Appl. No.: **29/402,479**

(22) Filed: **Sep. 23, 2011**

(30) **Foreign Application Priority Data**

May 26, 2011 (TW) 100302588

(51) **LOC (9) Cl.** **13-03**

(52) **U.S. Cl.** **D13/180**

(58) **Field of Classification Search** D13/180;
D26/2; 257/79, 80, 81, 88, 89, 95, 98, 99,
257/100, E33.058; 313/483, 498, 500; 362/555,
362/800

See application file for complete search history.

(56) **References Cited**

U.S. PATENT DOCUMENTS

D622,680	S	*	8/2010	Lin et al.	D13/180
D627,310	S	*	11/2010	Lin et al.	D13/180
D634,284	S	*	3/2011	Ko et al.	D13/180
D638,378	S	*	5/2011	Ko et al.	D13/180
D640,994	S	*	7/2011	Lin et al.	D13/180

D640,995	S	*	7/2011	Lin et al.	D13/180
D640,996	S	*	7/2011	Lee et al.	D13/180
D644,617	S	*	9/2011	Nishino et al.	D13/180
D656,106	S	*	3/2012	Hsu	D13/180
D656,107	S	*	3/2012	Hsu	D13/180
2007/0063213	A1	*	3/2007	Hsieh et al.	257/99
2007/0096114	A1	*	5/2007	Aoki et al.	257/79
2011/0127566	A1	*	6/2011	Yoon	257/99
2011/0186873	A1	*	8/2011	Emerson	257/88
2011/0241030	A1	*	10/2011	Kim	257/88

* cited by examiner

Primary Examiner — Selina Sikder

(74) *Attorney, Agent, or Firm* — Schmeiser, Olsen & Watts LLP

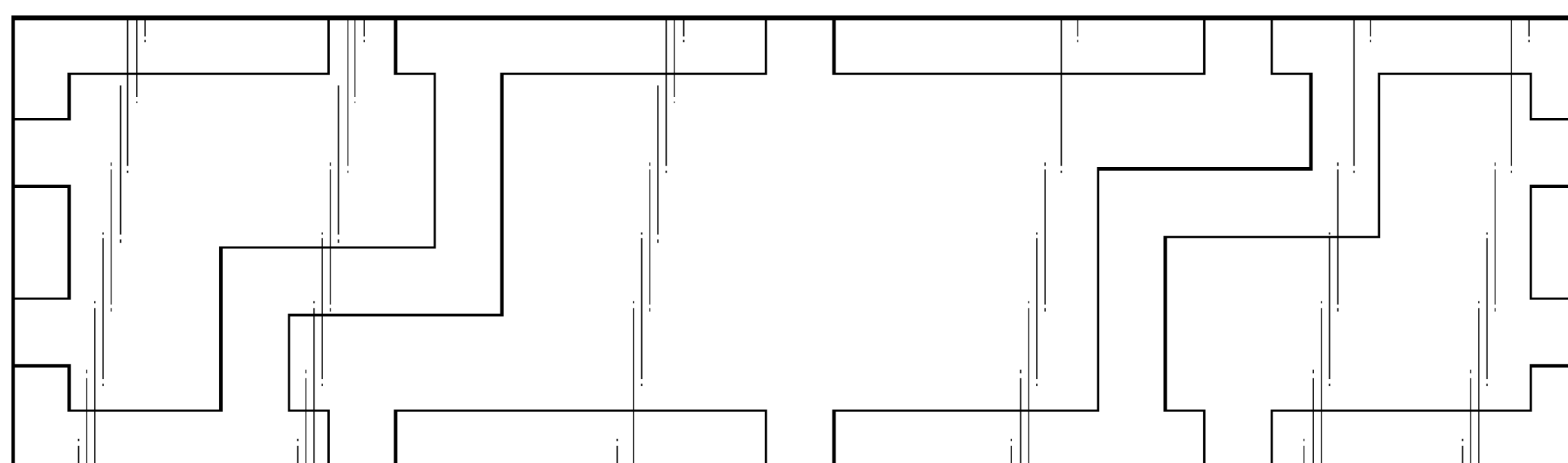
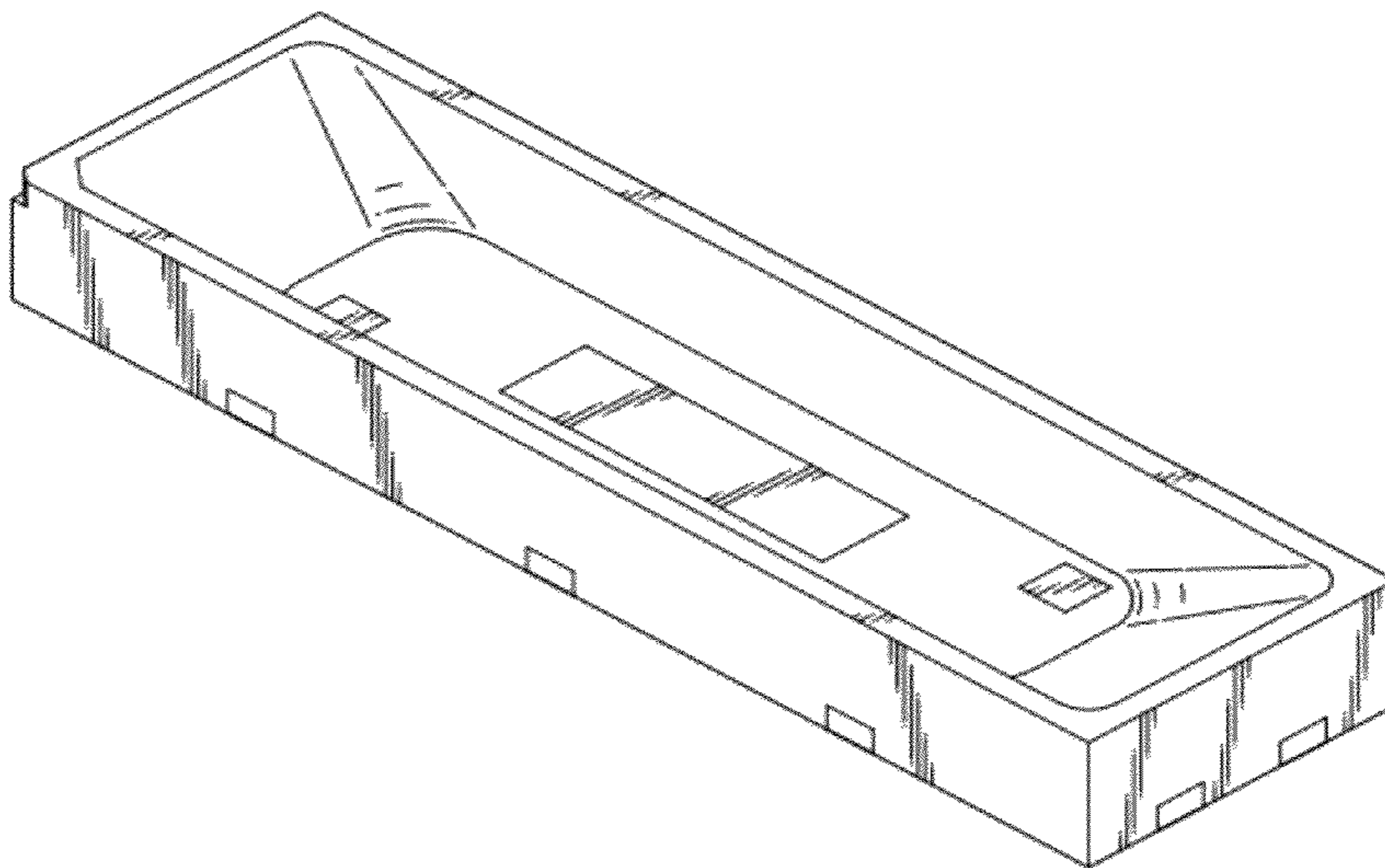
(57) **CLAIM**

I claim the ornamental design for light emitting diode lead-frame, as shown and described.

DESCRIPTION

FIG. 1 is a front perspective view of light emitting diode lead-frame showing the new design;
FIG. 2 is a front elevational view thereof;
FIG. 3 is a rear elevational view thereof;
FIG. 4 is a left side elevational view thereof;
FIG. 5 is a right side elevational view thereof;
FIG. 6 is a top plan view thereof; and,
FIG. 7 is a bottom plan view thereof.

1 Claim, 7 Drawing Sheets



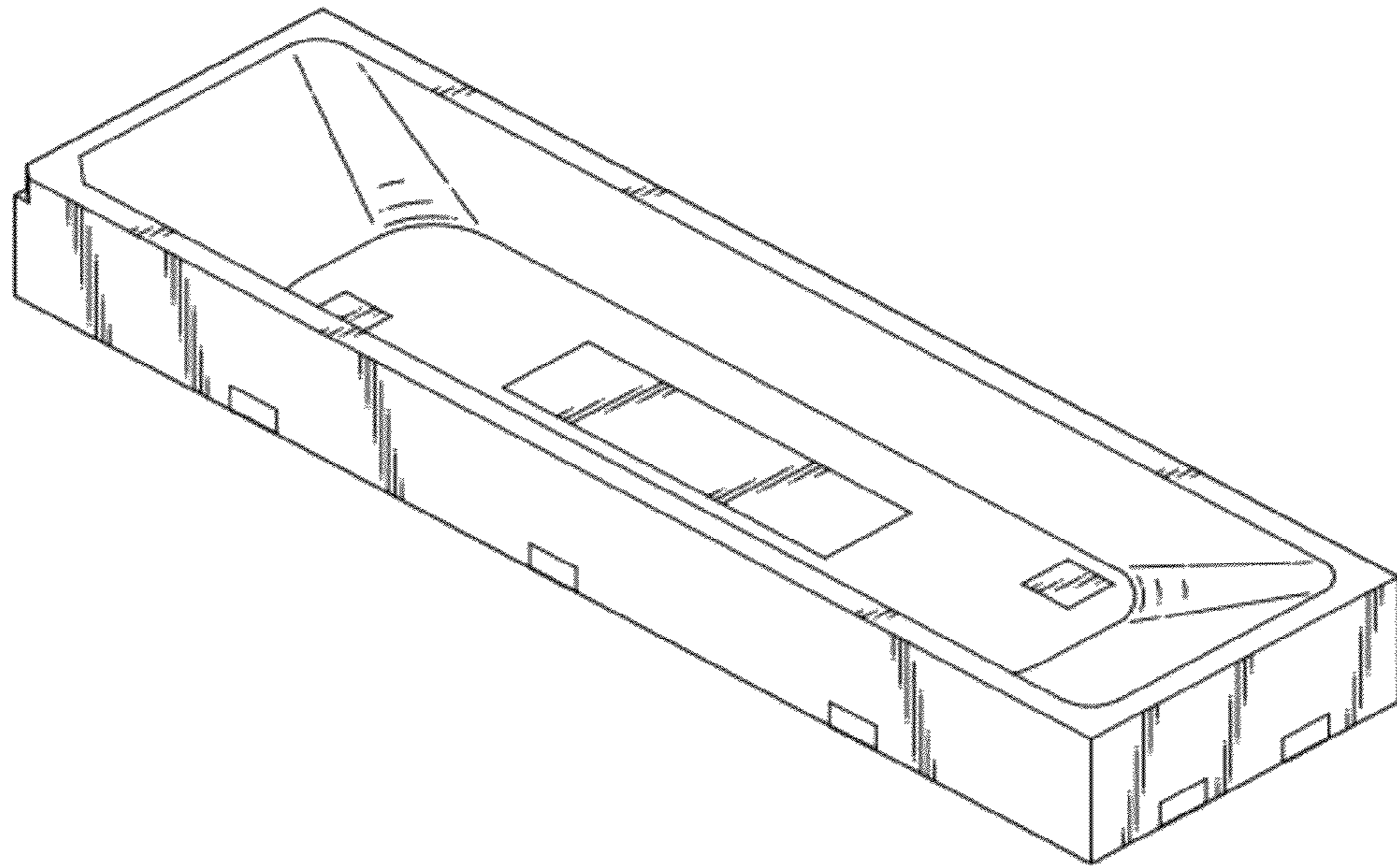


FIG.1

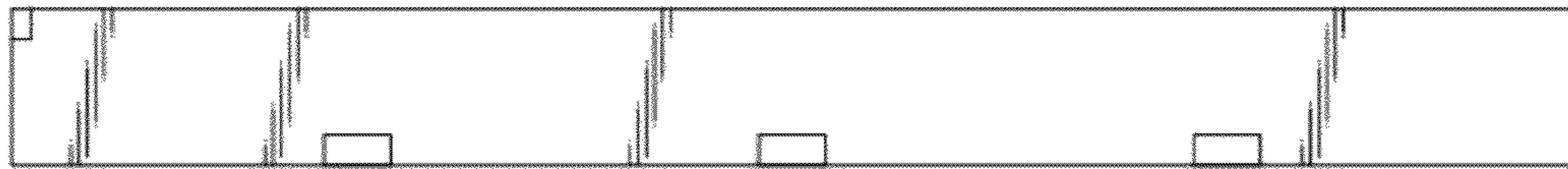


FIG.2

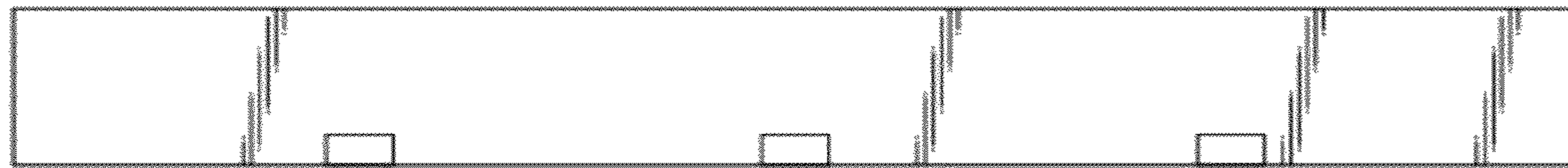


FIG.3

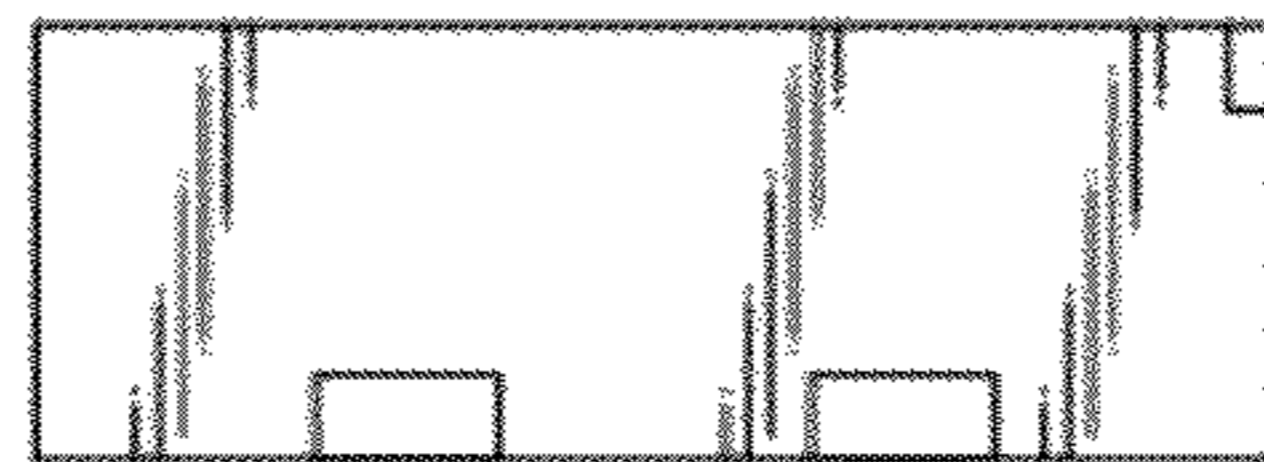


FIG.4

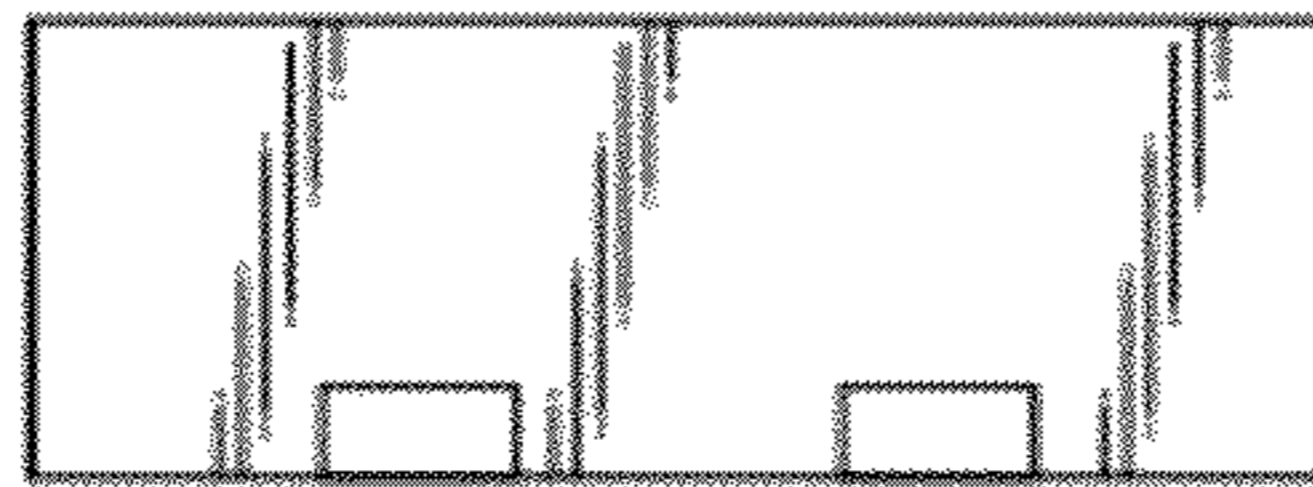


FIG.5

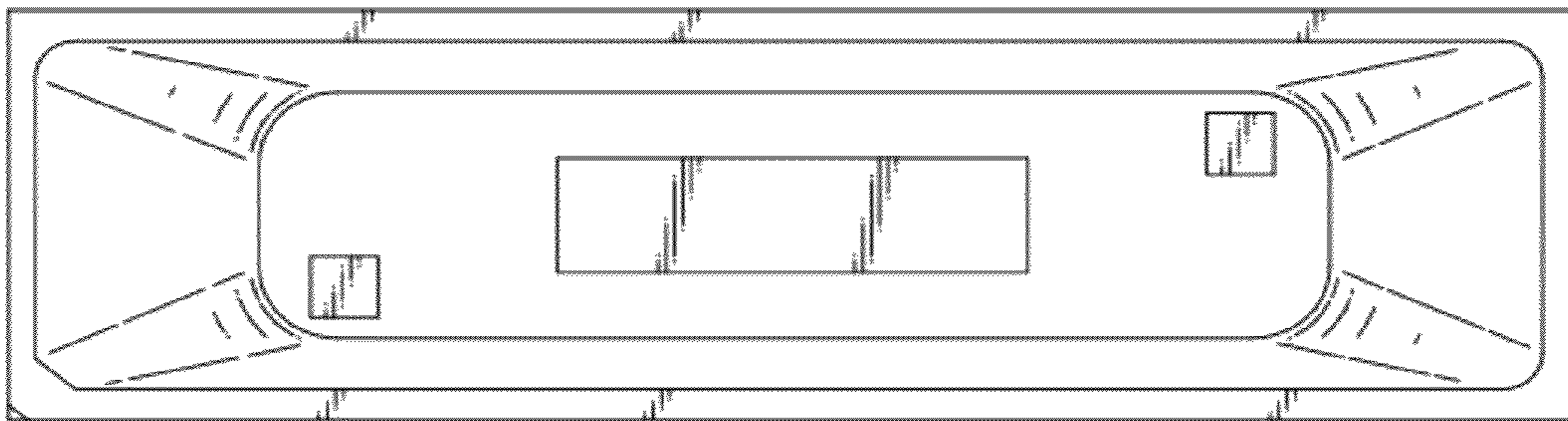


FIG.6

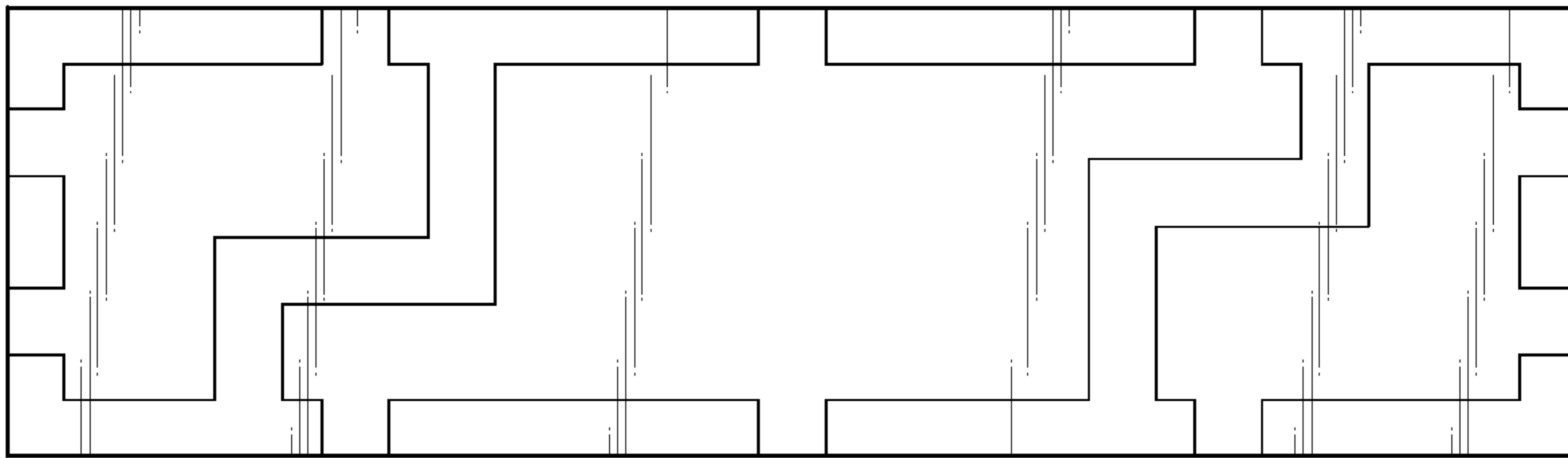


FIG. 7