



US00D664106S

(12) **United States Design Patent**
Kobayakawa et al.

(10) **Patent No.:** **US D664,106 S**
(45) **Date of Patent:** **** Jul. 24, 2012**

(54) **LIGHT EMITTING DIODE MODULE**

(75) Inventors: **Masahiko Kobayakawa**, Kyoto (JP);
Takashi Moriguchi, Kyoto (JP)

(73) Assignee: **Rohm Co., Ltd.**, Kyoto (JP)

(**) Term: **14 Years**

(21) Appl. No.: **29/399,073**

(22) Filed: **Aug. 9, 2011**

(30) **Foreign Application Priority Data**

Feb. 10, 2011 (JP) 2011-002825

(51) **LOC (9) Cl.** **13-03**

(52) **U.S. Cl.** **D13/180**

(58) **Field of Classification Search** D13/180;
D26/1, 2; 257/79, 80, 81, 88, 89, 95, 98,
257/99, 100, E33.058; 313/483, 498, 500;
362/555, 800

See application file for complete search history.

(56) **References Cited**

U.S. PATENT DOCUMENTS

D476,960 S * 7/2003 Fukasawa et al. D13/182
D478,879 S * 8/2003 Imai D13/182

D499,075 S * 11/2004 Yoon et al. D13/180
D565,514 S * 4/2008 Cho D13/180
D590,354 S * 4/2009 Tsuchiya et al. D13/180
D609,653 S * 2/2010 Watanabe et al. D13/180
D623,611 S * 9/2010 Okuwaki D13/180
D628,166 S * 11/2010 Okuwaki D13/180
D647,068 S * 10/2011 Okuwaki D13/180
2006/0186431 A1 * 8/2006 Miki et al. 257/100
2006/0284207 A1 * 12/2006 Park et al. 257/99
2011/0051039 A1 * 3/2011 Okamoto et al. 349/62

* cited by examiner

Primary Examiner — Selina Sikder

(74) *Attorney, Agent, or Firm* — Hamre, Schumann, Mueller
& Larson, P.C.

(57) **CLAIM**

We claim the ornamental design for a light emitting diode
module, as shown.

DESCRIPTION

FIG. 1 is a perspective view of a light emitting diode module
according to our new design;
FIG. 2 is a front view of the same module;
FIG. 3 is a rear view of the same module;
FIG. 4 is a top plan view of the same module;
FIG. 5 is a bottom view of the same module;
FIG. 6 is a right side view of the same module; and,
FIG. 7 is a left side view of the same module.

1 Claim, 3 Drawing Sheets

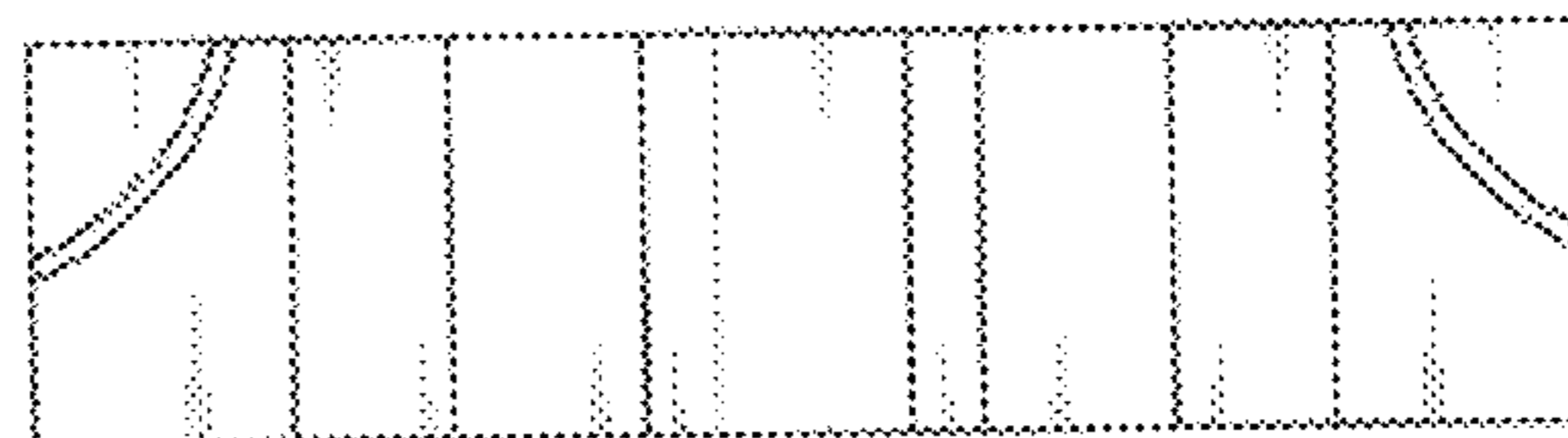
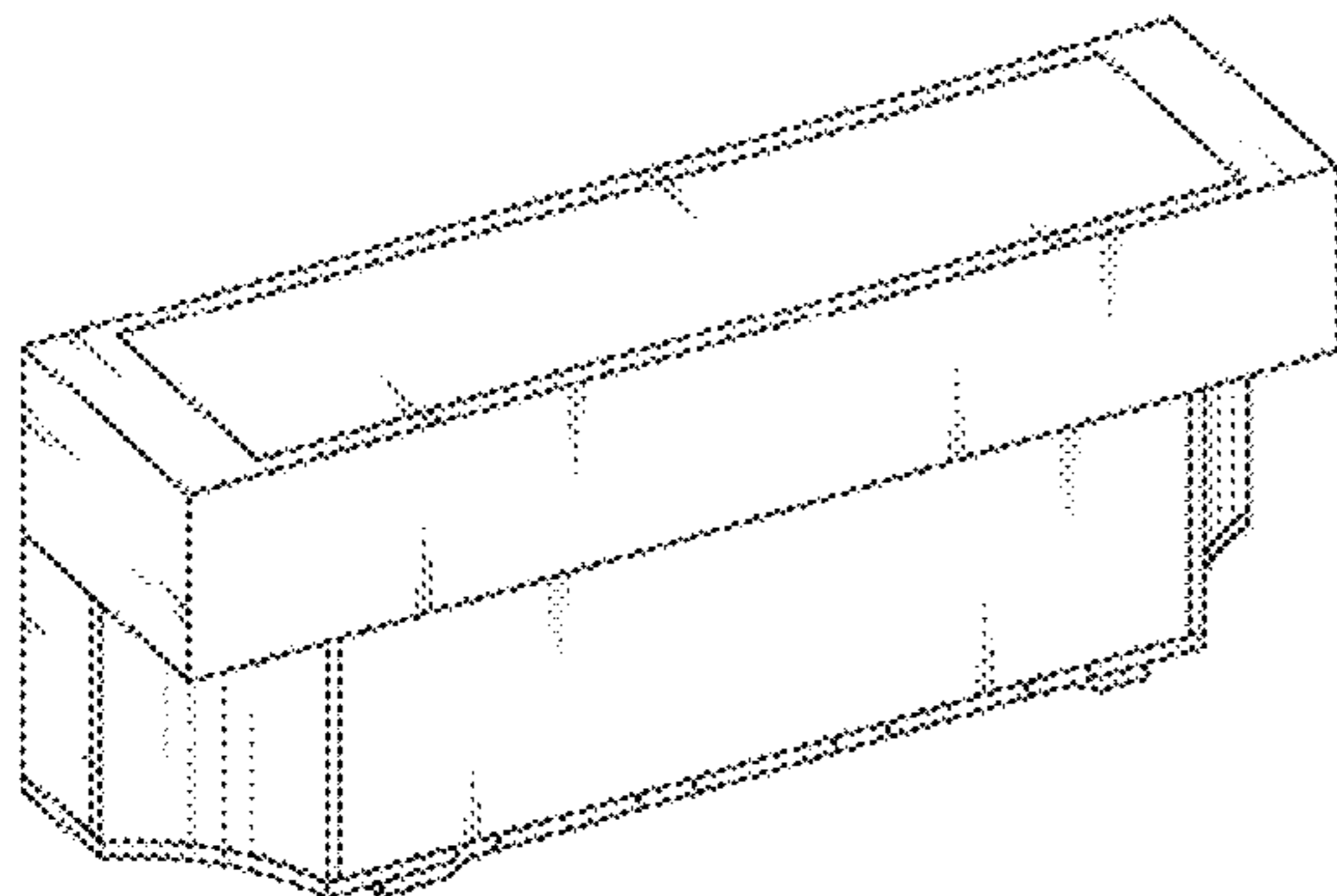


Fig. 1

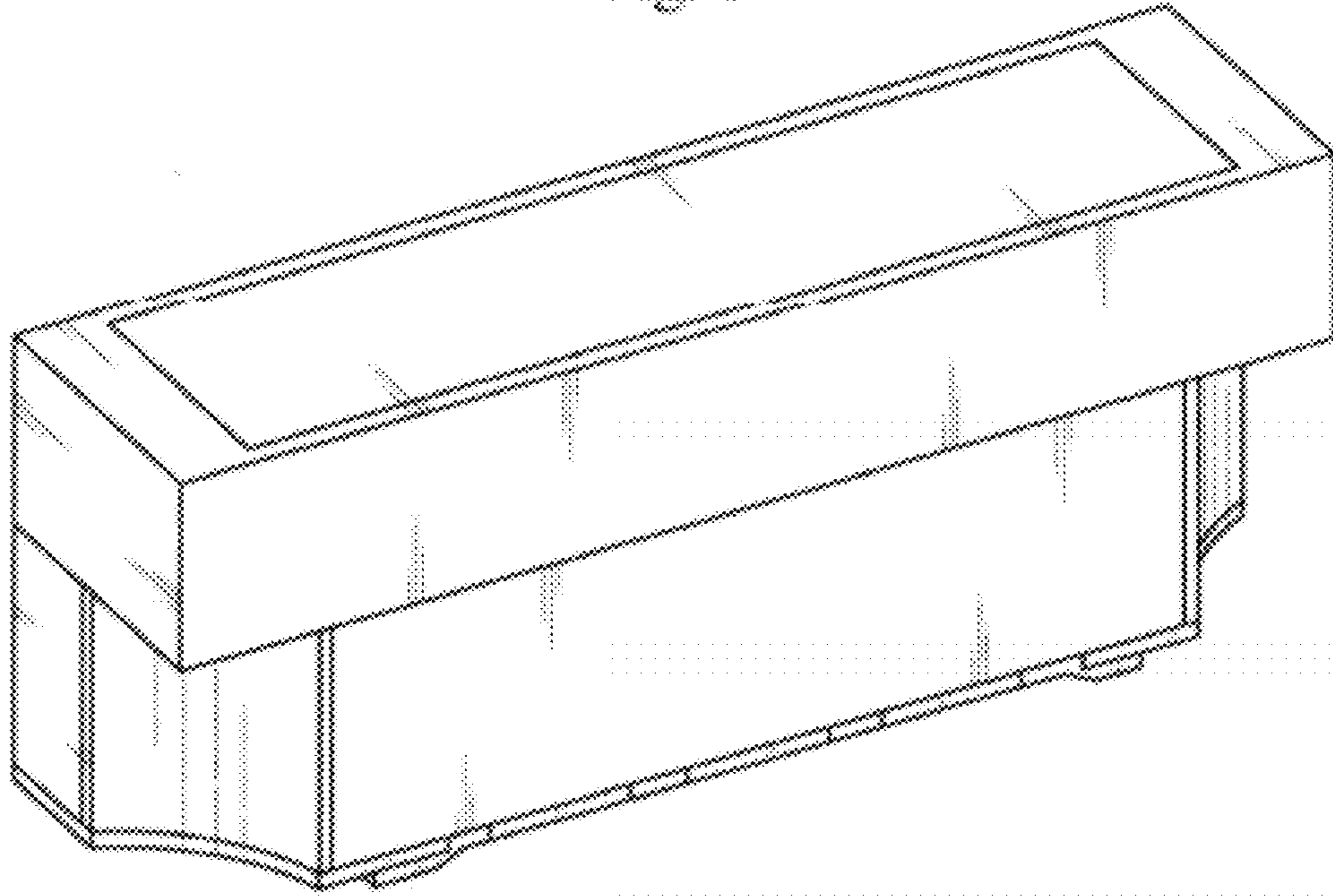


Fig. 2

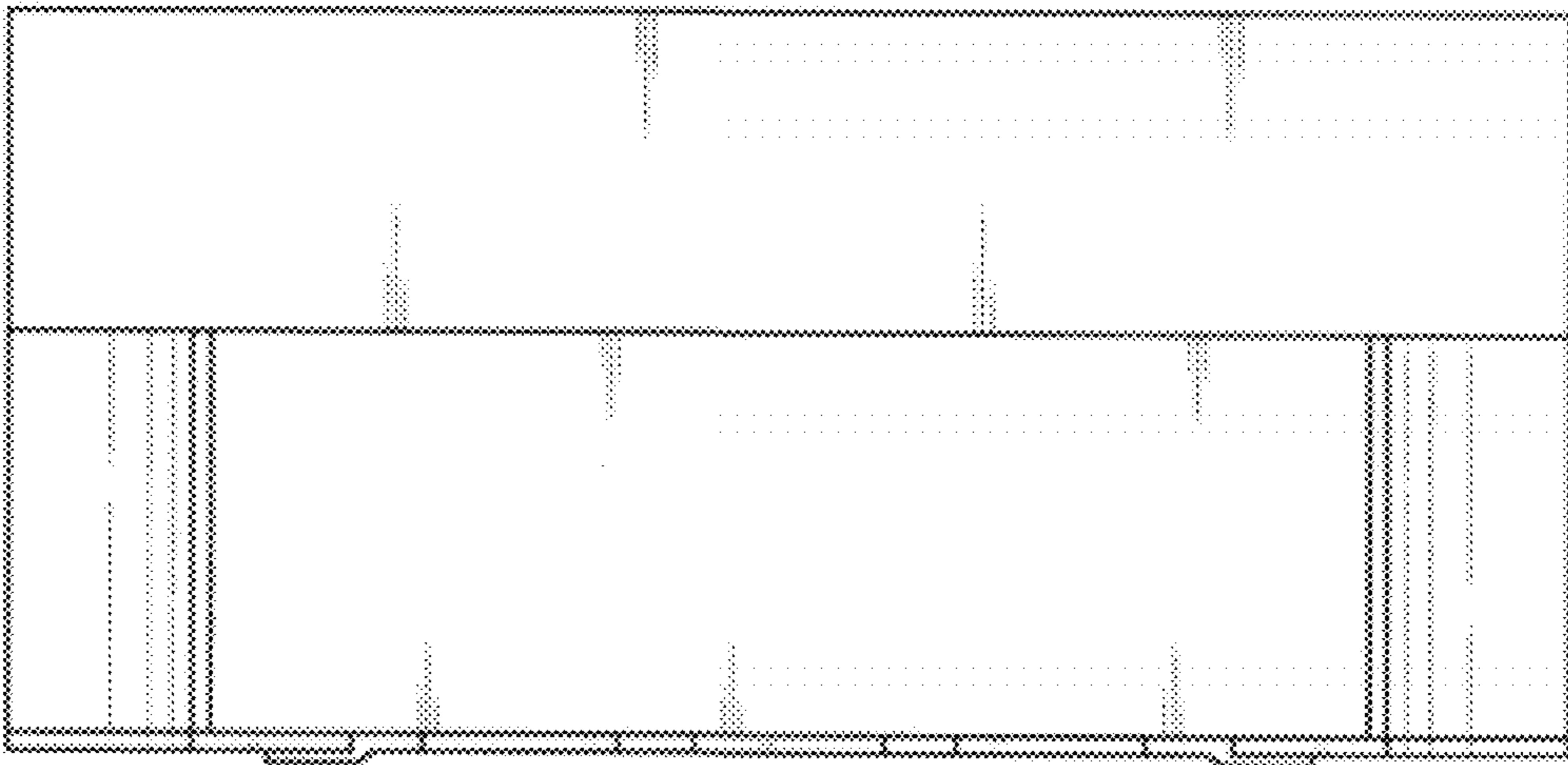


Fig. 3

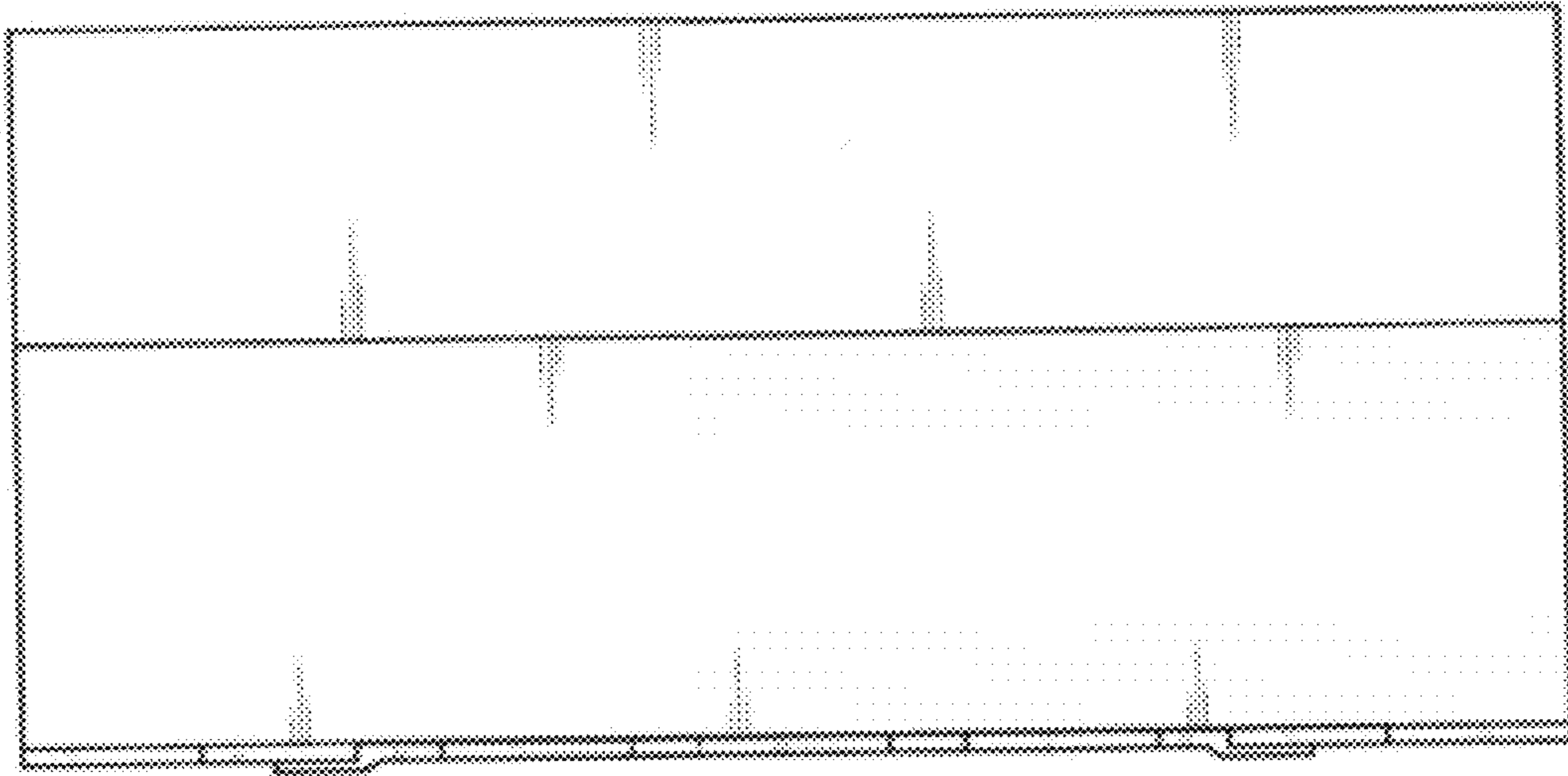


Fig. 4

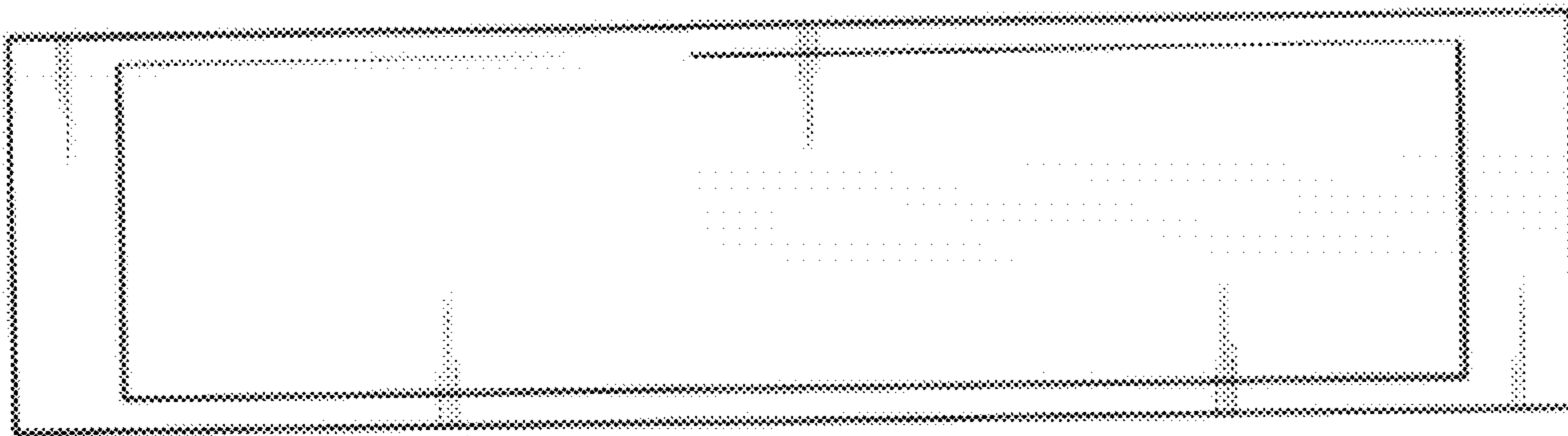


Fig. 5

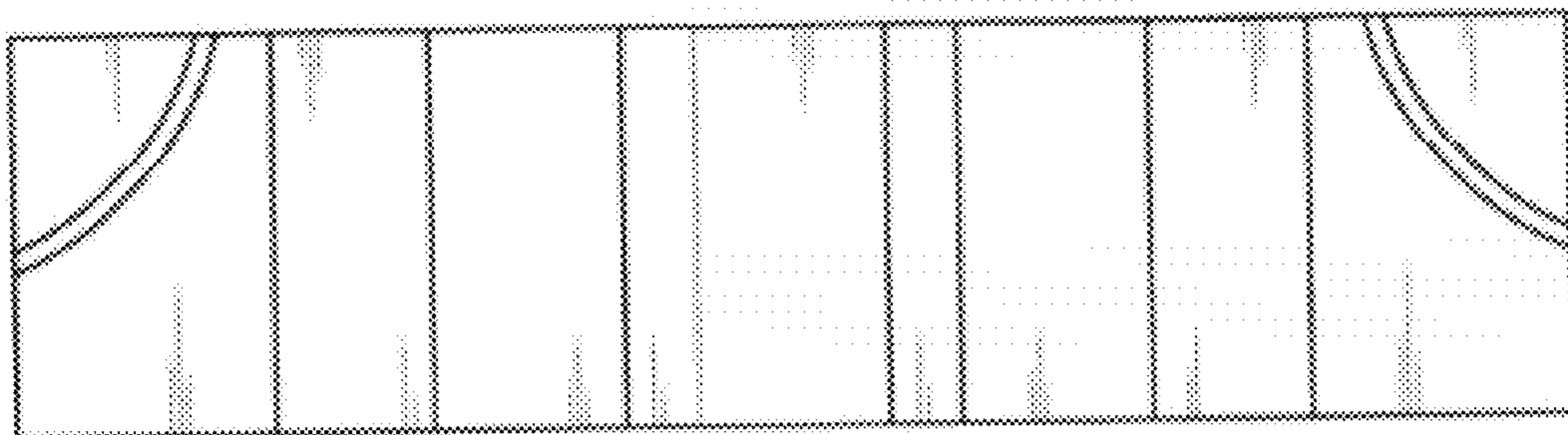


Fig. 6

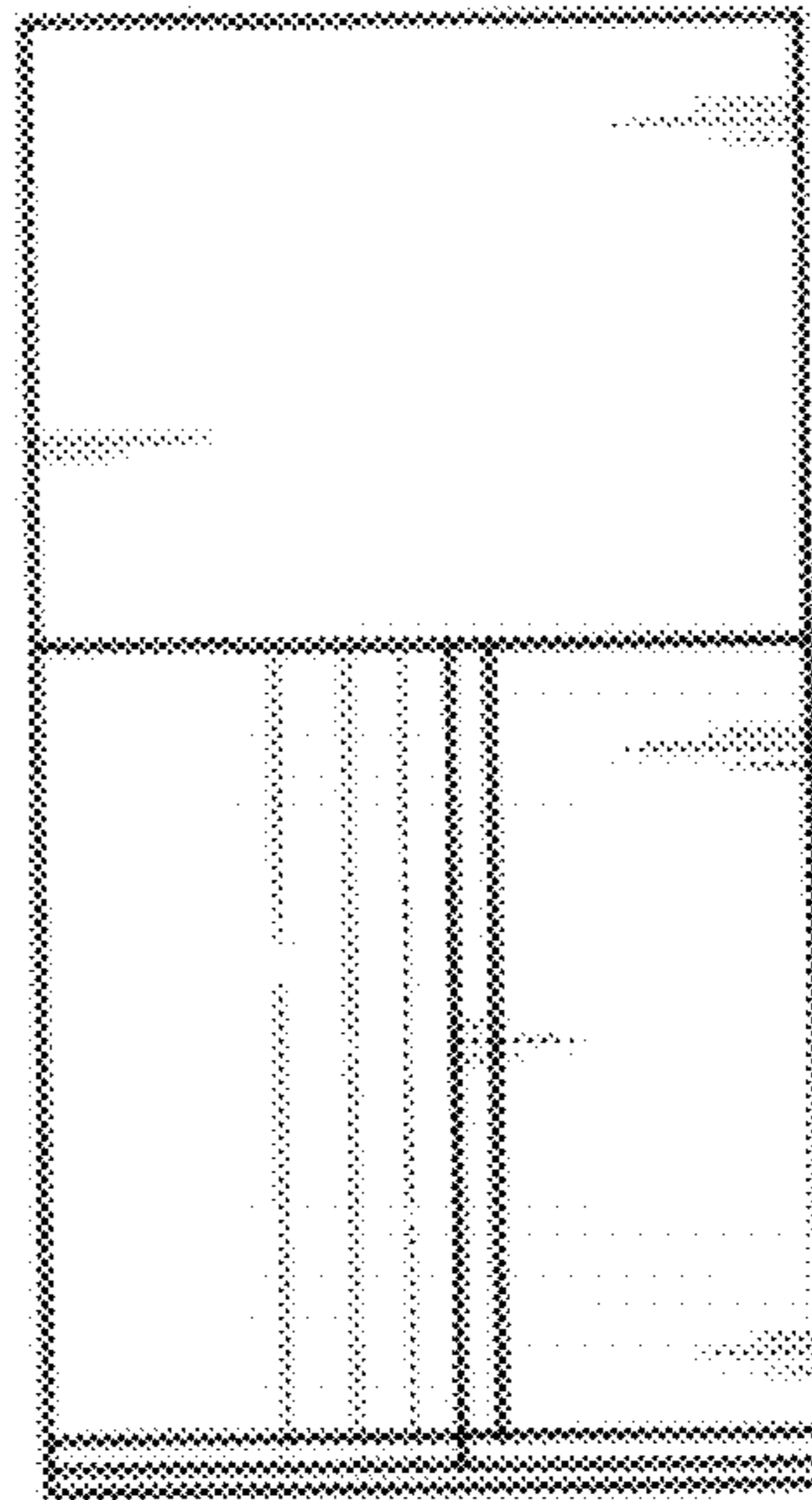


Fig. 7

