

US00D664105S

(12) **United States Design Patent**
Hsu

(10) **Patent No.:** **US D664,105 S**
(45) **Date of Patent:** **** Jul. 24, 2012**

(54) **LIGHT EMITTING DIODE LEAD-FRAME**

(75) Inventor: **Chin-Chang Hsu**, Pingtung County (TW)

(73) Assignee: **Lextar Electronics Corp.**, Hsinchu (TW)

(**) Term: **14 Years**

(21) Appl. No.: **29/398,400**

(22) Filed: **Jul. 29, 2011**

(30) **Foreign Application Priority Data**

Feb. 25, 2011 (TW) 100300879

(51) **LOC (9) Cl.** **13-03**

(52) **U.S. Cl.** **D13/180**

(58) **Field of Classification Search** D13/180;
D26/2; 257/79, 80, 81, 88, 89, 95, 98, 99,
257/100, E33.058; 313/483, 498, 500; 362/555,
362/800

See application file for complete search history.

(56) **References Cited**

U.S. PATENT DOCUMENTS

D622,680 S * 8/2010 Lin et al. D13/180
D627,310 S * 11/2010 Lin et al. D13/180

D634,284 S * 3/2011 Ko et al. D13/180
D638,378 S * 5/2011 Ko et al. D13/180
D640,995 S * 7/2011 Lin et al. D13/180
D640,996 S * 7/2011 Lee et al. D13/180
D644,617 S * 9/2011 Nishino et al. D13/180
D645,424 S * 9/2011 Lee et al. D13/180
D645,425 S * 9/2011 Lin et al. D13/180
D647,070 S * 10/2011 Huang et al. D13/180
D656,106 S * 3/2012 Hsu D13/180
2011/0127566 A1 * 6/2011 Yoon 257/99
2011/0186873 A1 * 8/2011 Emerson 257/88

* cited by examiner

Primary Examiner — Selina Sikder

(74) *Attorney, Agent, or Firm* — Schmeiser, Olsen & Watts LLP

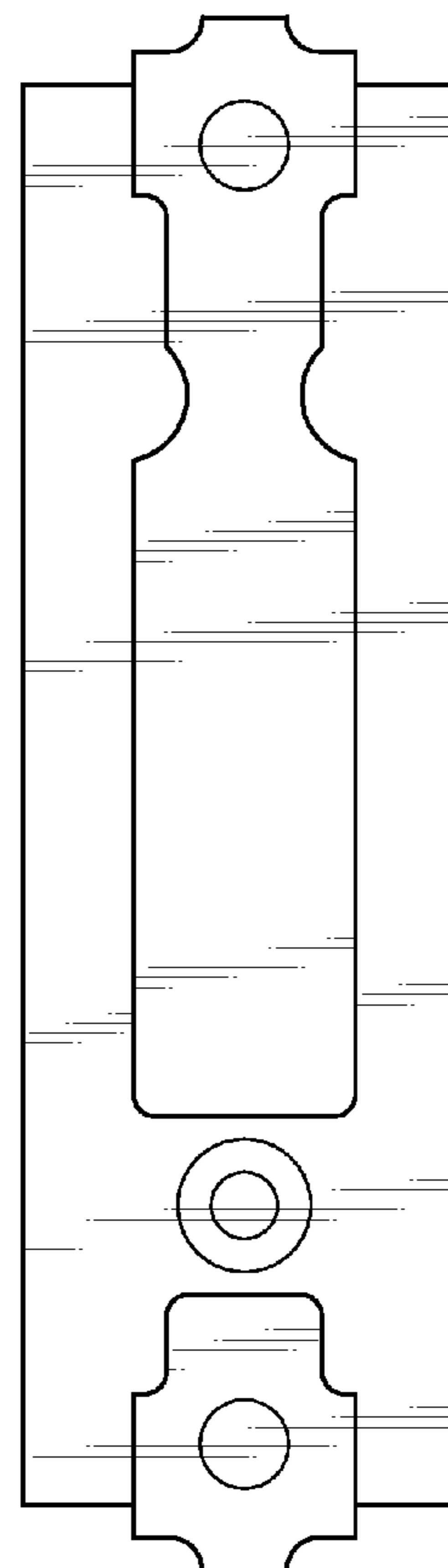
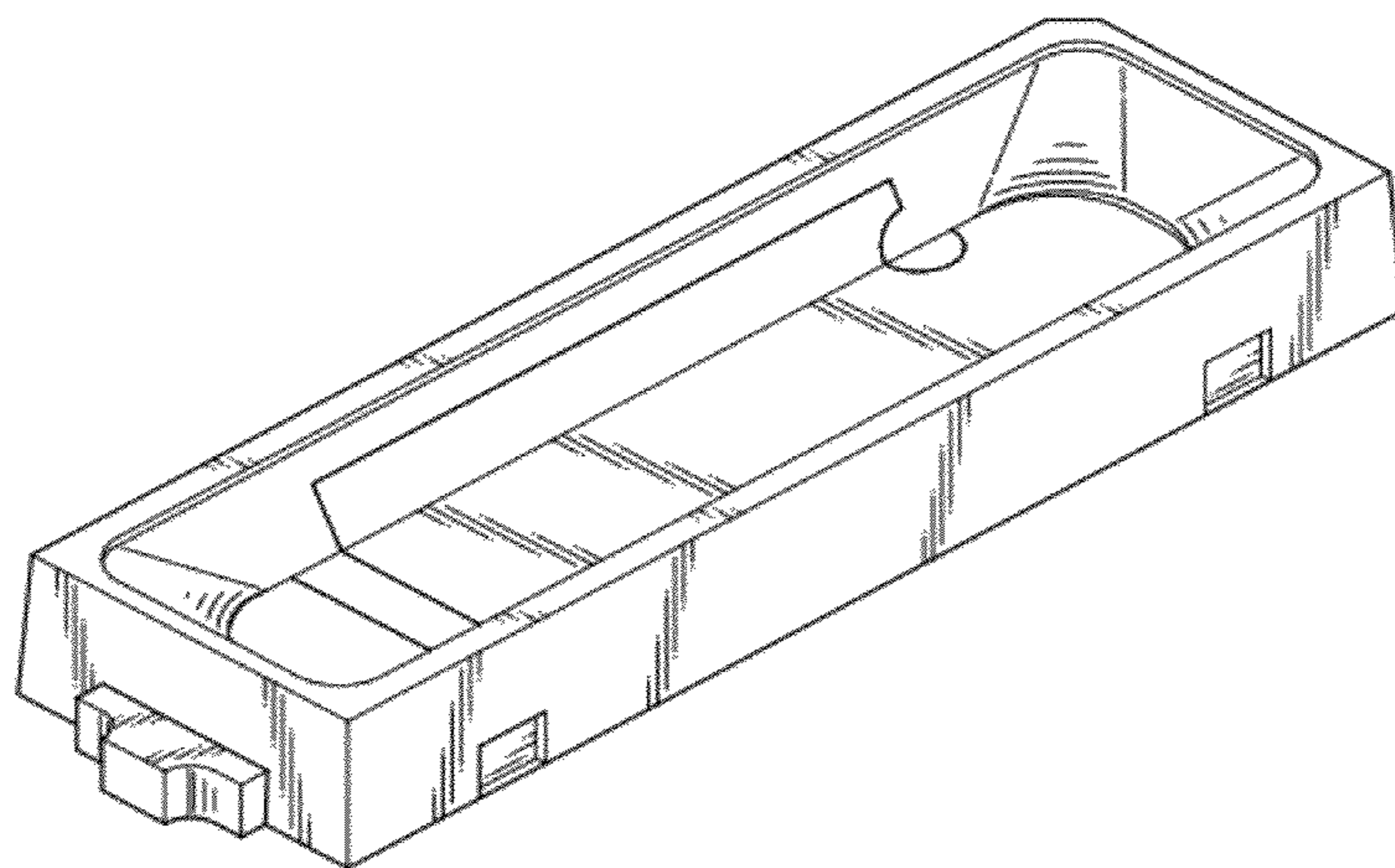
(57) **CLAIM**

I claim the ornamental design for light emitting diode lead-frame, as shown and described.

DESCRIPTION

FIG. 1 is a front perspective view of light emitting diode lead-frame showing the new design;
FIG. 2 is a front elevational view thereof;
FIG. 3 is a rear elevational view thereof;
FIG. 4 is a left side elevational view thereof;
FIG. 5 is a right side elevational view thereof;
FIG. 6 is a top plan view thereof; and,
FIG. 7 is a bottom plan view thereof.

1 Claim, 4 Drawing Sheets



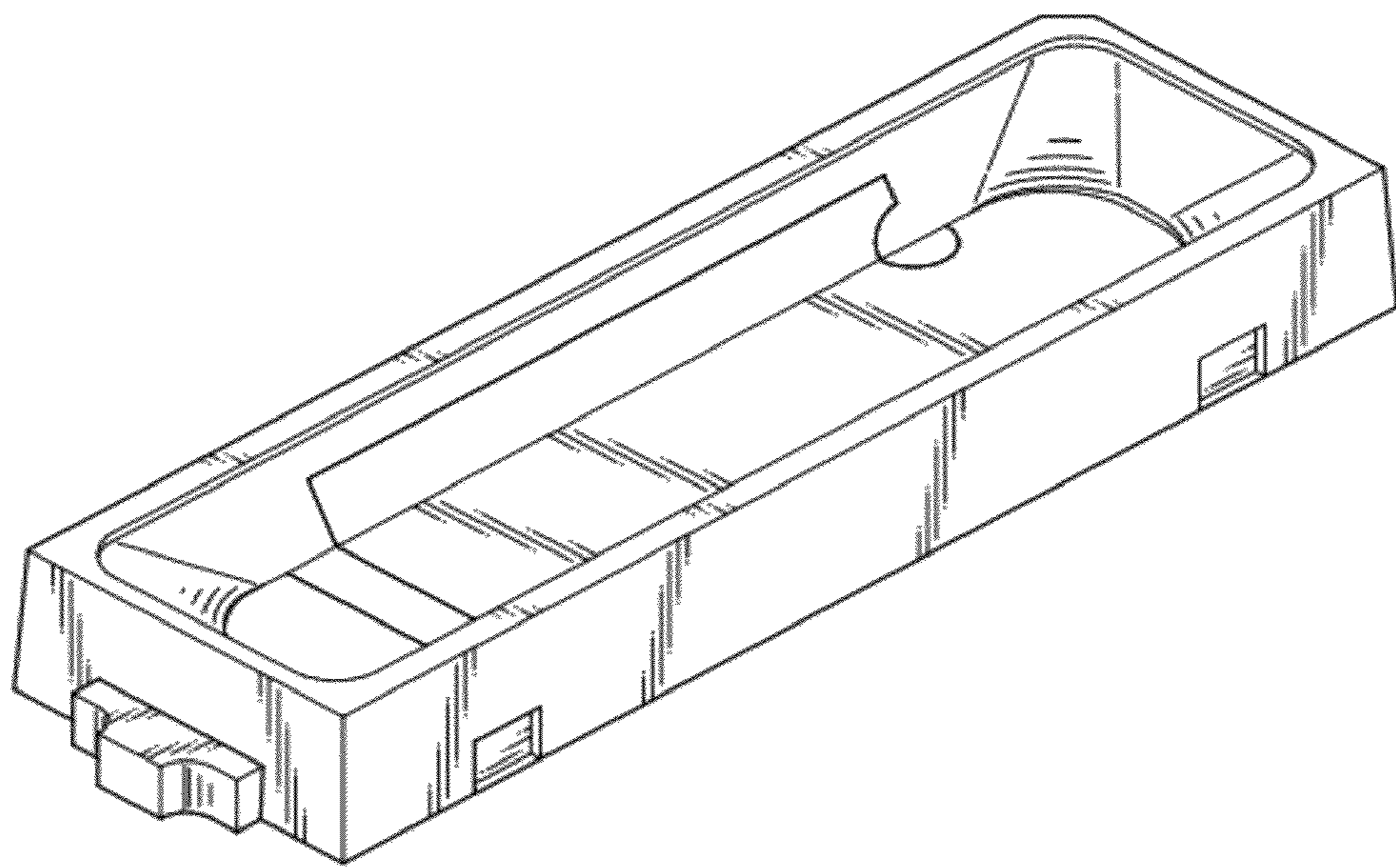


FIG. 1

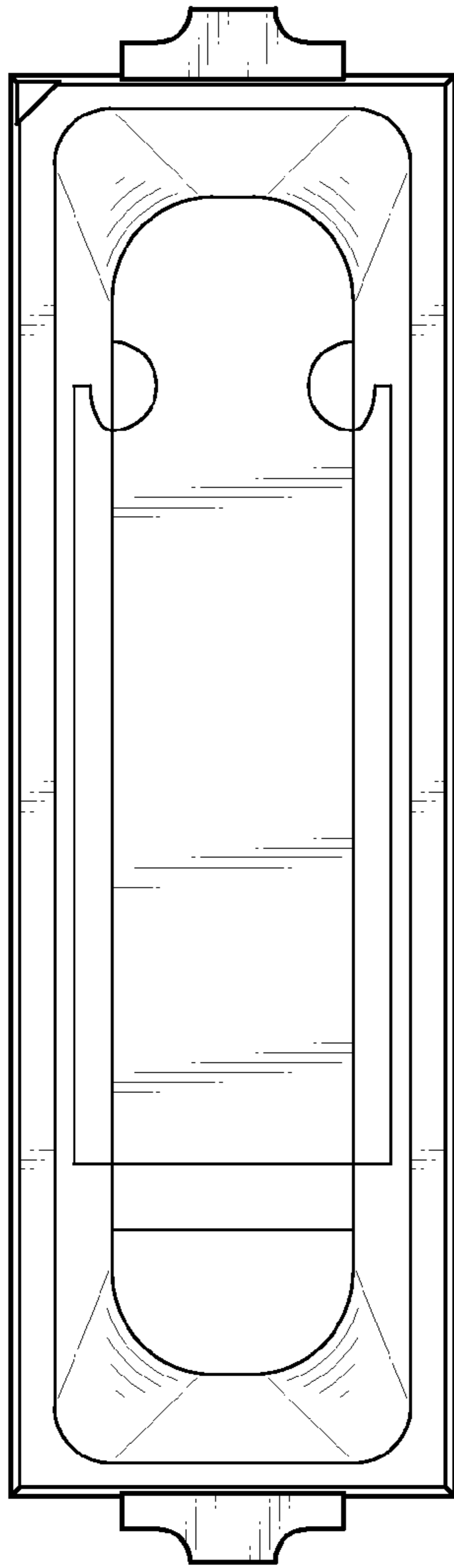


FIG. 2



FIG. 3

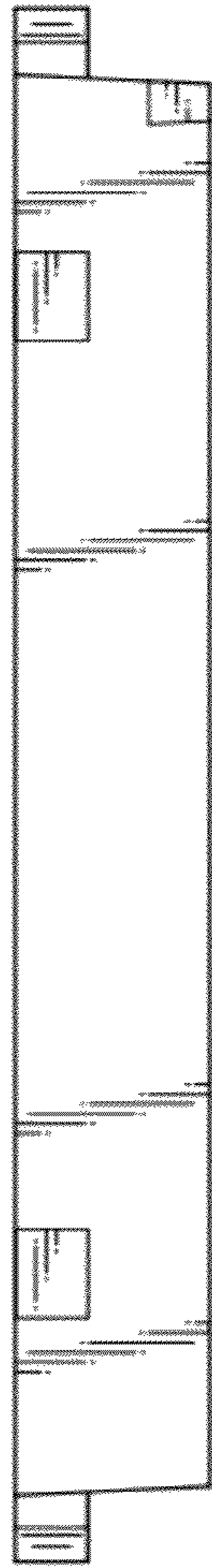


FIG.4

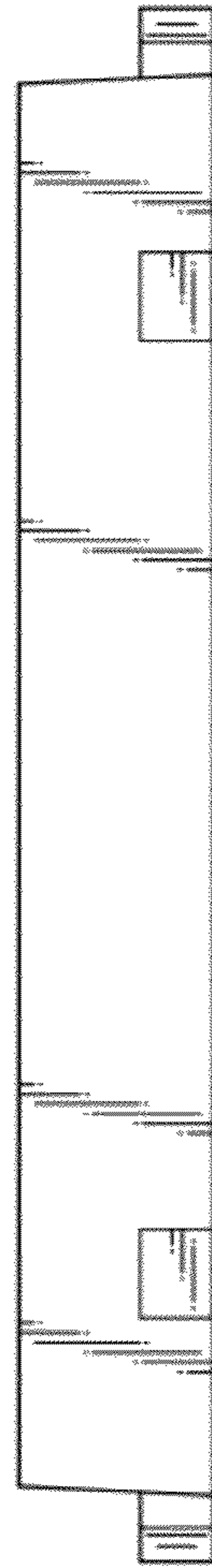


FIG.5

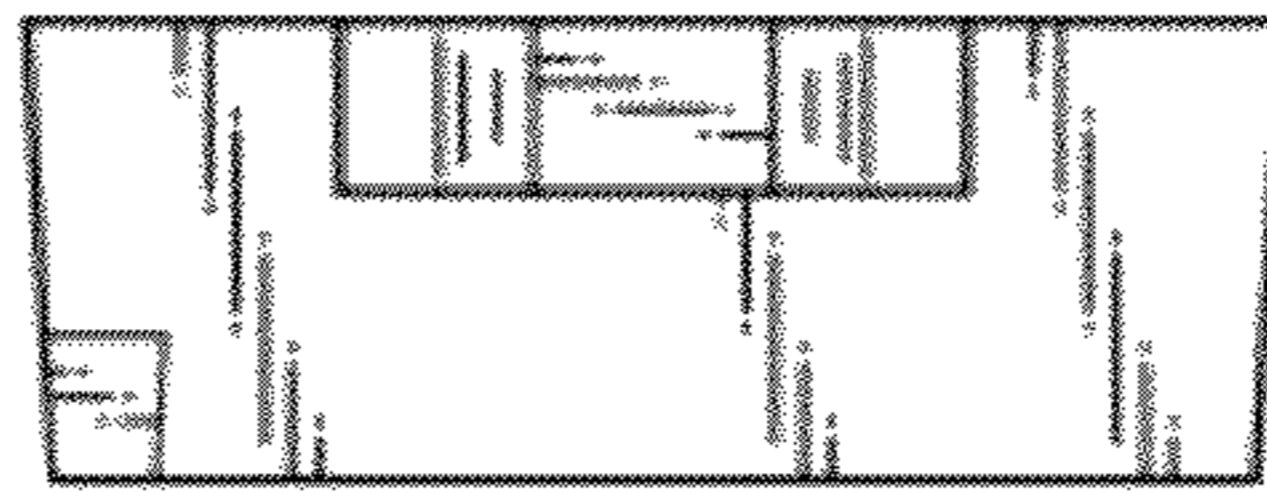


FIG. 6

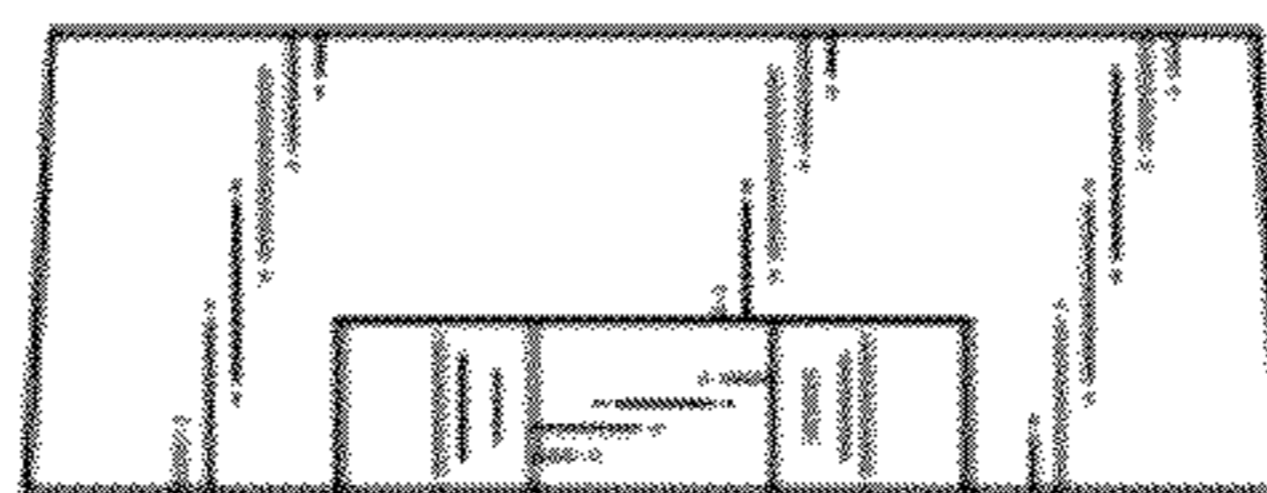


FIG. 7