

US00D664104S

(12) **United States Design Patent**  
**Hsu**

(10) **Patent No.:** **US D664,104 S**  
(45) **Date of Patent:** **\*\* Jul. 24, 2012**

(54) **LIGHT EMITTING DIODE**

(75) Inventor: **Chin-Chang Hsu**, Pingtung County (TW)

(73) Assignee: **Lextar Electronics Corp.**, Hsinchu (TW)

(\*\*) Term: **14 Years**

(21) Appl. No.: **29/398,366**

(22) Filed: **Jul. 29, 2011**

(30) **Foreign Application Priority Data**

Feb. 25, 2011 (TW) ..... 100300877

(51) **LOC (9) Cl.** ..... **13-03**

(52) **U.S. Cl.** ..... **D13/180**

(58) **Field of Classification Search** ..... D13/180;  
D26/2; 257/79, 80, 81, 88, 89, 95, 98, 99,  
257/100, E33.058; 313/483, 498, 500; 362/555,  
362/800

See application file for complete search history.

(56) **References Cited**

**U.S. PATENT DOCUMENTS**

D576,570 S \* 9/2008 Chen et al. .... D13/180  
D578,084 S \* 10/2008 Kobayakawa ..... D13/180

D608,309 S \* 1/2010 Kim ..... D13/180  
D622,682 S \* 8/2010 Park et al. .... D13/180  
D628,541 S \* 12/2010 Lin ..... D13/180  
D632,267 S \* 2/2011 Chen et al. .... D13/180  
D635,529 S \* 4/2011 Hsu ..... D13/180  
D640,995 S \* 7/2011 Lin et al. .... D13/180  
D640,996 S \* 7/2011 Lee et al. .... D13/180  
D656,107 S \* 3/2012 Hsu ..... D13/180  
2011/0127566 A1\* 6/2011 Yoon ..... 257/99

\* cited by examiner

*Primary Examiner* — Selina Sikder

(74) *Attorney, Agent, or Firm* — Schmeiser, Olsen & Watts LLP

(57) **CLAIM**

I claim the ornamental design for light emitting diode, as shown and described.

**DESCRIPTION**

FIG. 1 is a front perspective view of light emitting diode showing the new design;

FIG. 2 is a front elevational view thereof;

FIG. 3 is a rear elevational view thereof;

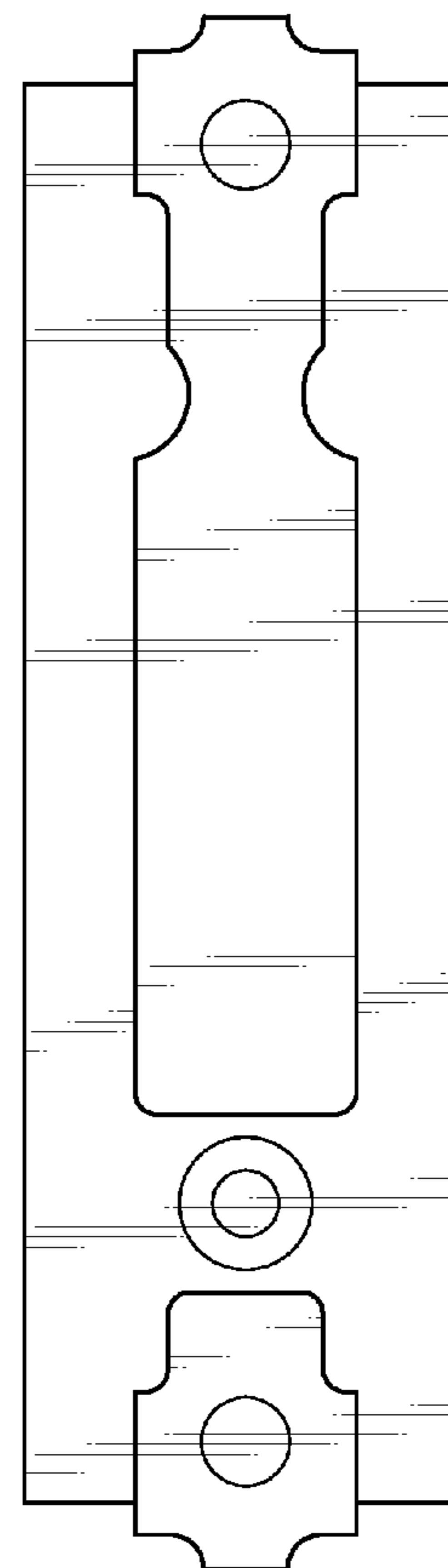
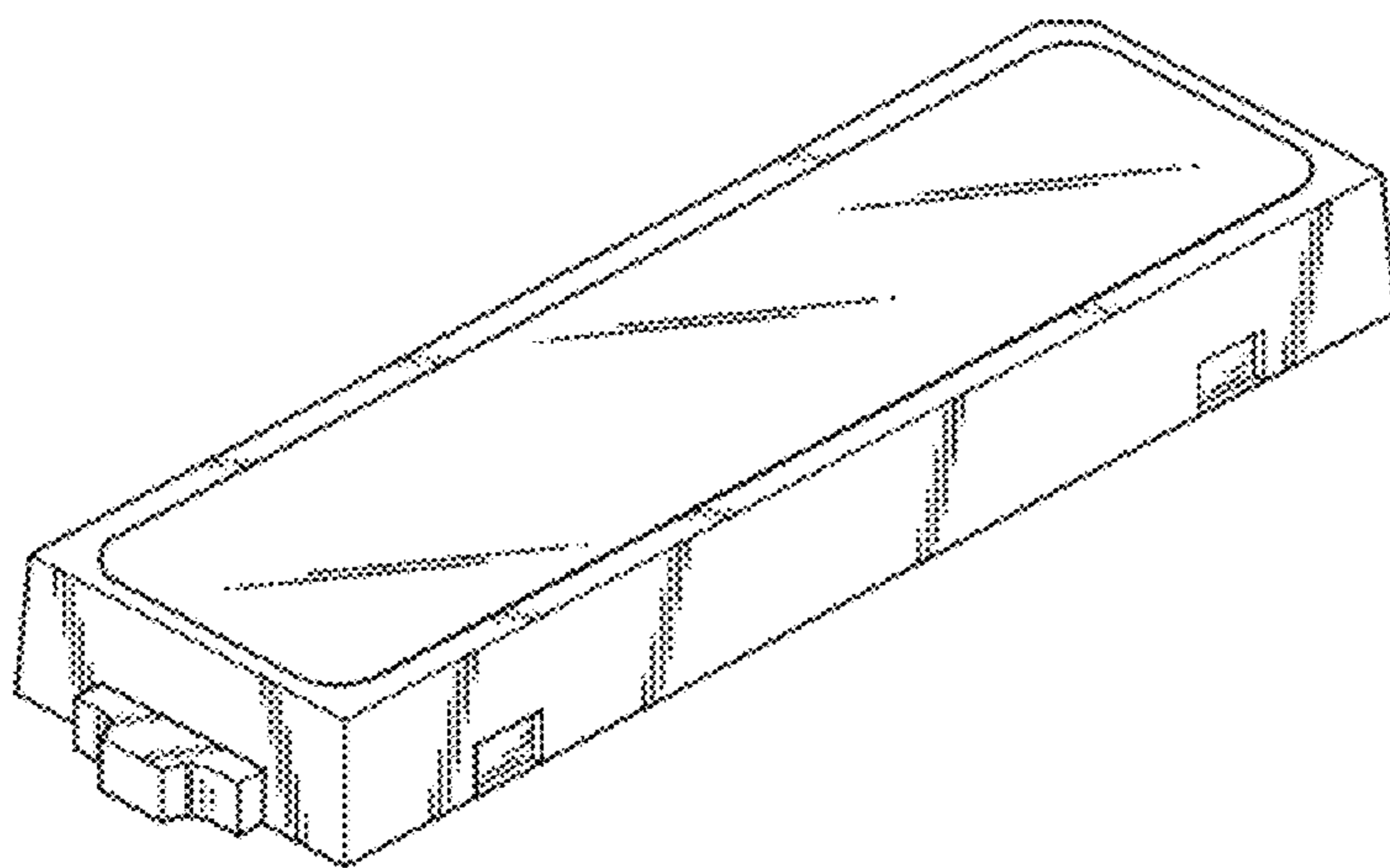
FIG. 4 is a left side elevational view thereof;

FIG. 5 is a right side elevational view thereof;

FIG. 6 is a top plan view thereof; and,

FIG. 7 is a bottom plan view thereof.

**1 Claim, 4 Drawing Sheets**



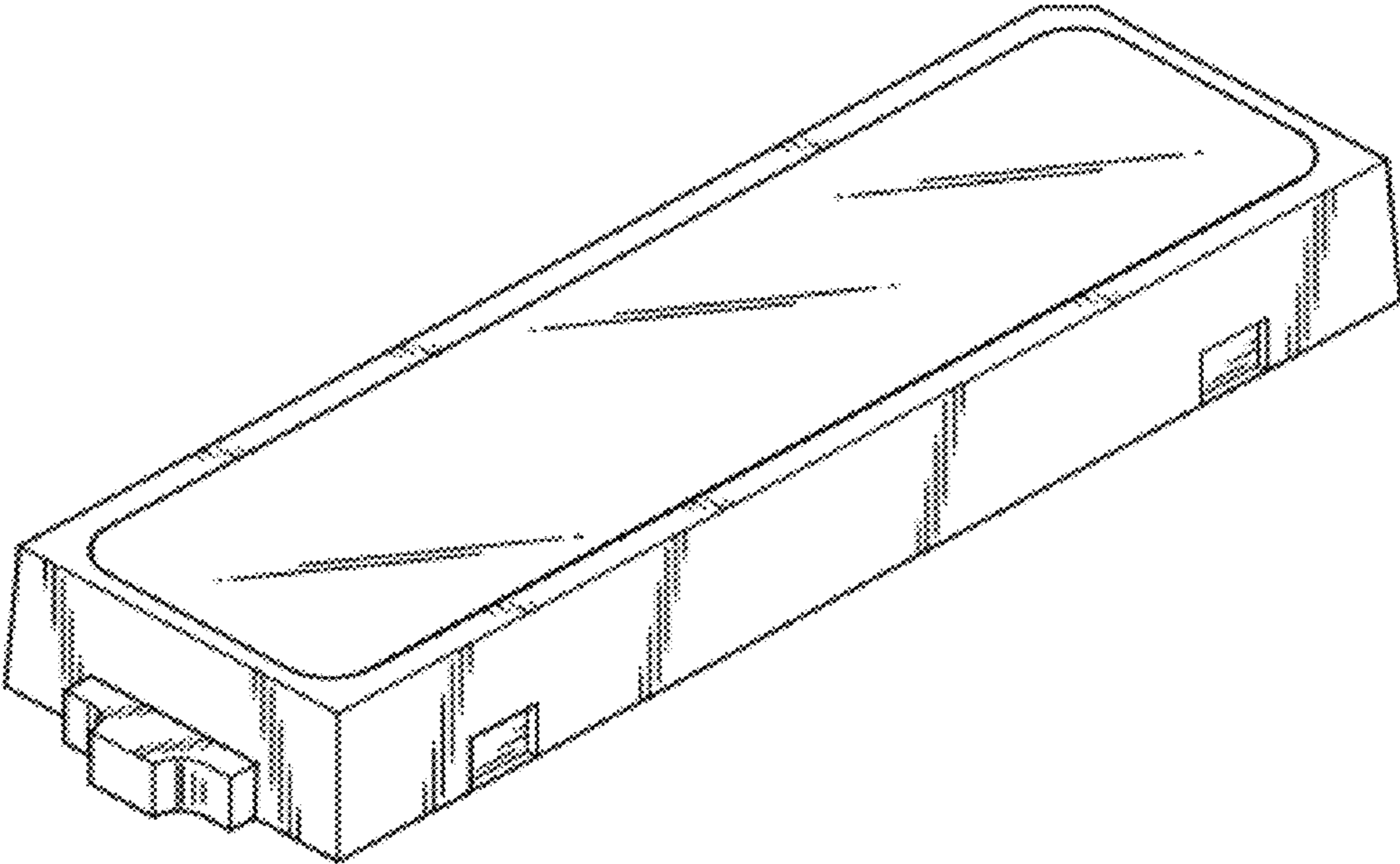


FIG. 1

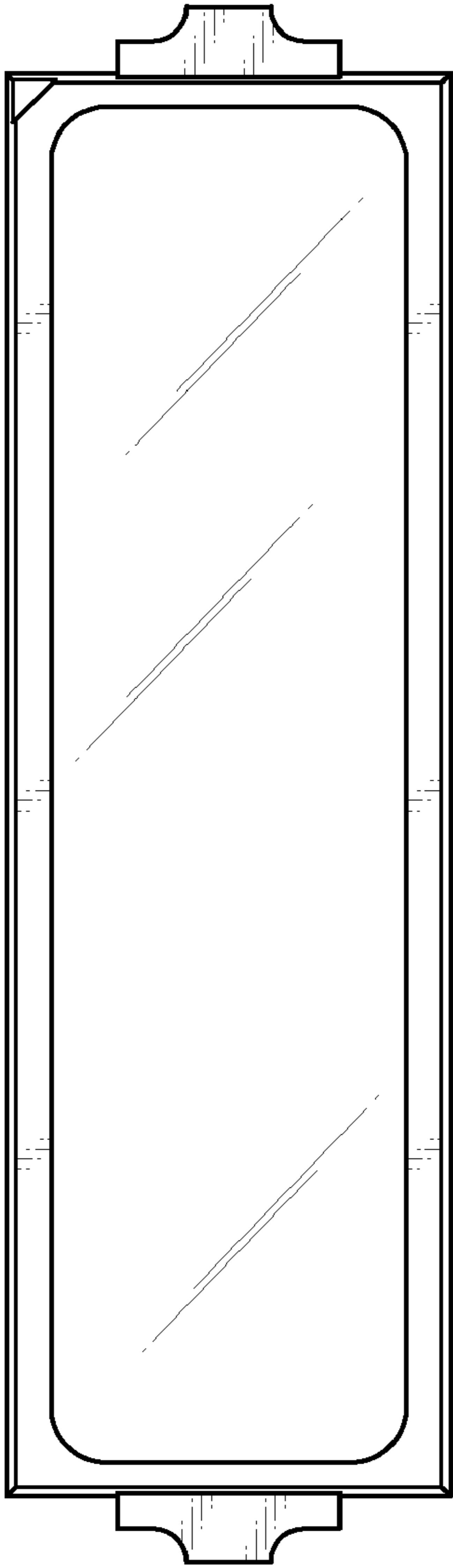


FIG. 2

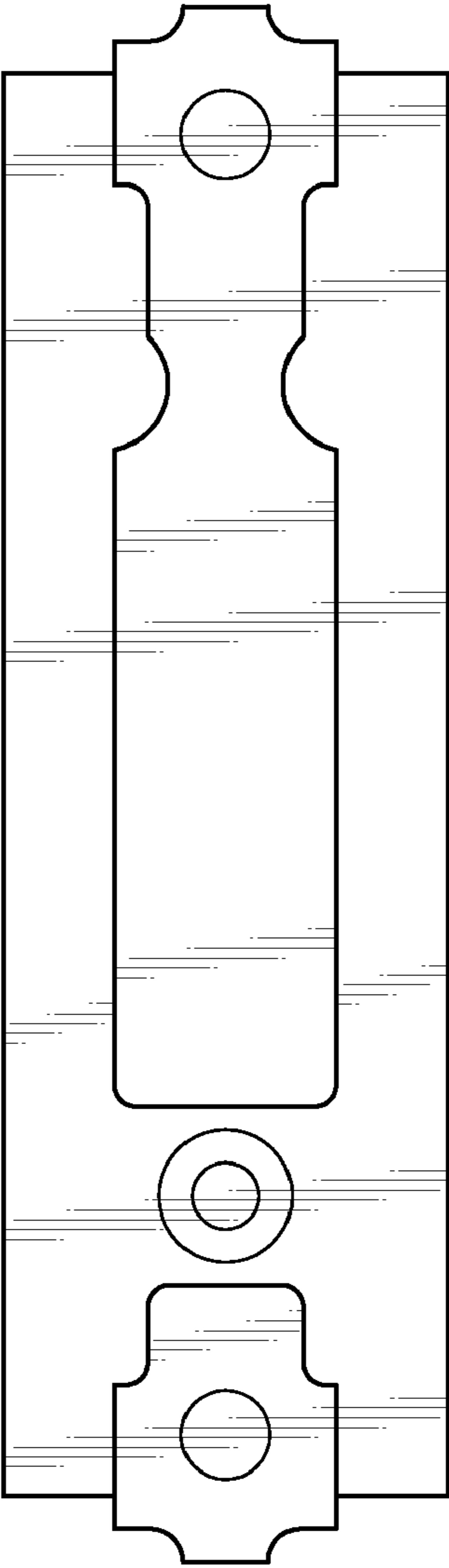


FIG. 3

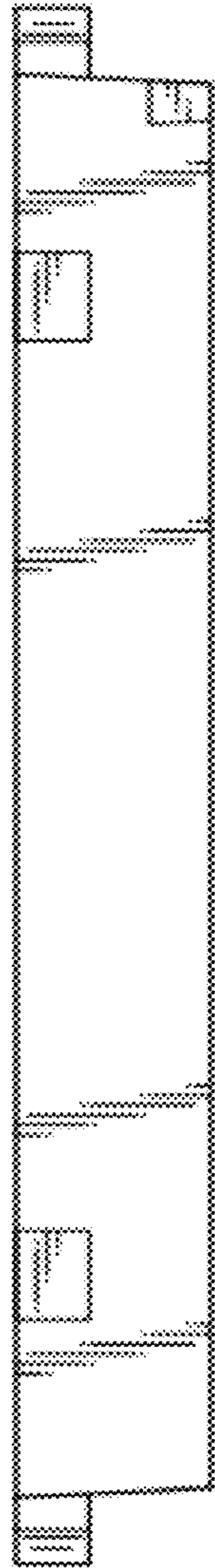


FIG. 4

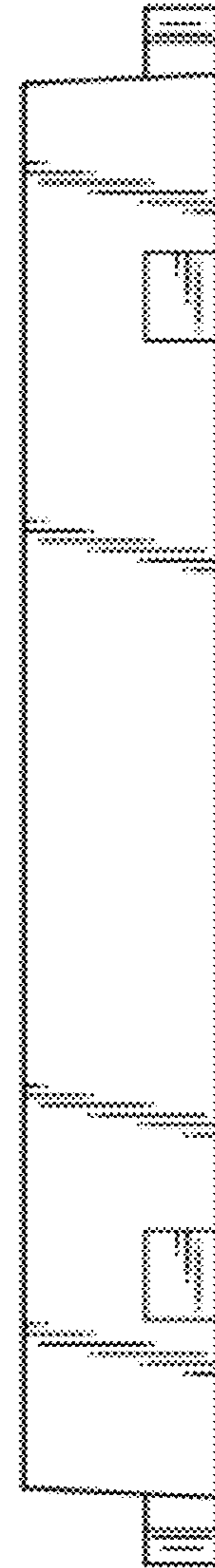
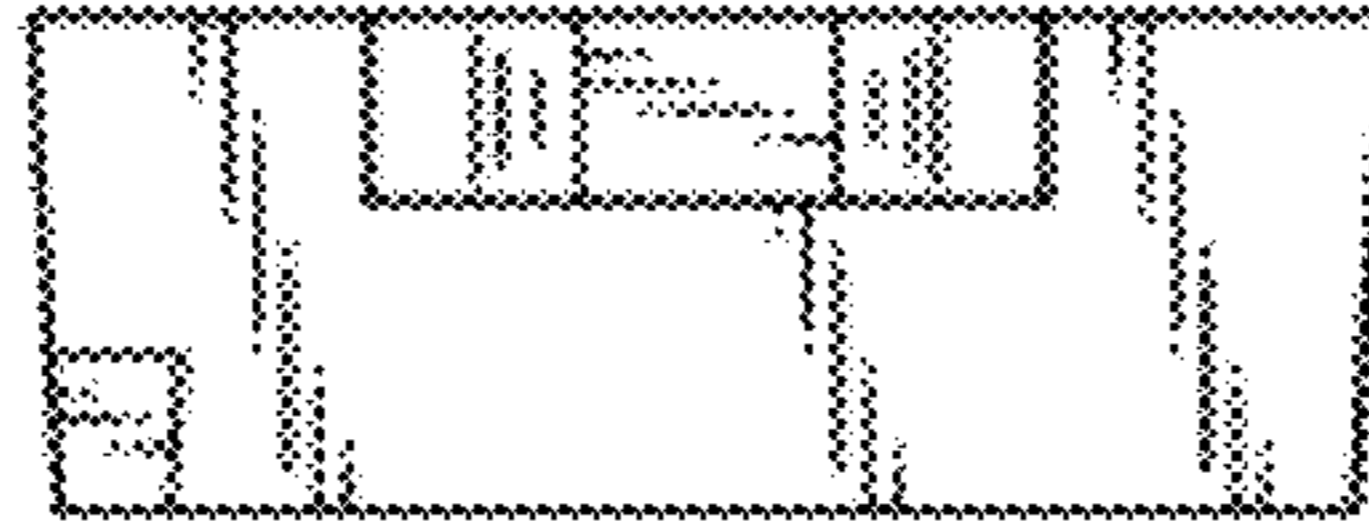
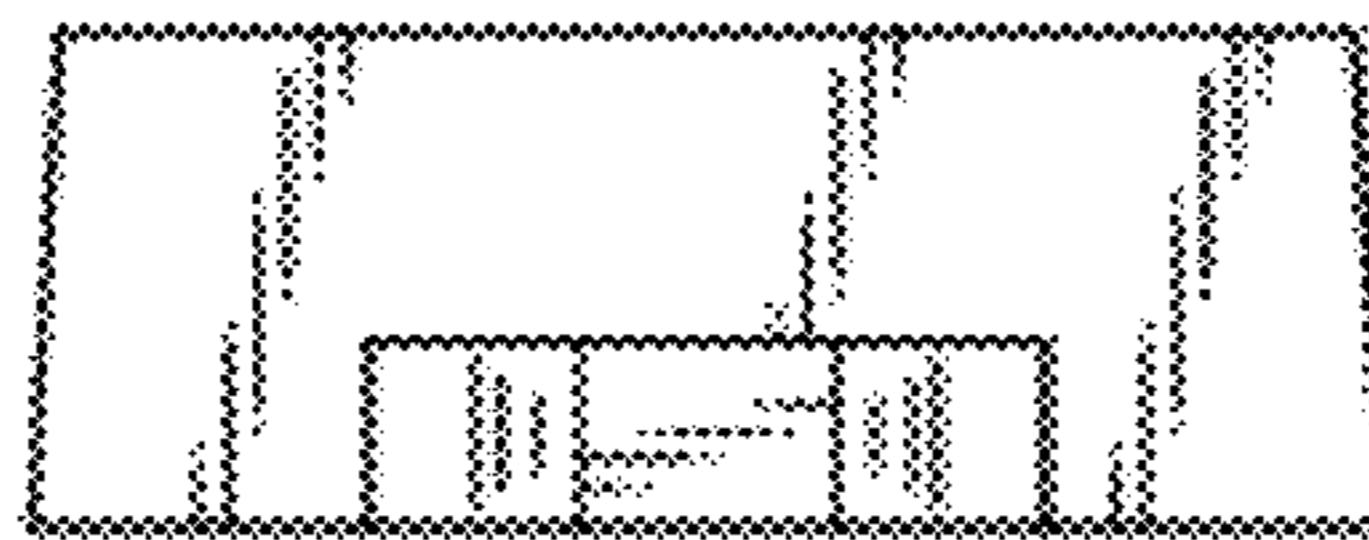


FIG. 5



**FIG. 6**



**FIG. 7**