

US00D664103S

(12) **United States Design Patent**
Sasaoka et al.

(10) **Patent No.:** **US D664,103 S**

(45) **Date of Patent:** **** Jul. 24, 2012**

(54) **LIGHT EMITTING DIODE**

(75) Inventors: **Shimpei Sasaoka**, Tokushima (JP);
Hironobu Takahashi, Tokushima-ken
(JP)

(73) Assignee: **Nichia Corporation** (JP)

(**) Term: **14 Years**

(21) Appl. No.: **29/361,546**

(22) Filed: **May 12, 2010**

(30) **Foreign Application Priority Data**

Nov. 13, 2009 (JP) 2009-026638
Nov. 13, 2009 (JP) 2009-026639
Nov. 13, 2009 (JP) 2009-026640
May 7, 2010 (JP) 2010-011138
May 7, 2010 (JP) 2010-011139

(51) **LOC (9) Cl.** **13-03**

(52) **U.S. Cl.** **D13/180; D26/1**

(58) **Field of Classification Search** D13/180;
D26/1; 257/79-81, 88-89, 95, 98-100; 313/483,
313/498-500

See application file for complete search history.

(56) **References Cited**

U.S. PATENT DOCUMENTS

D494,550 S * 8/2004 Hoshiba D13/180
D495,304 S * 8/2004 Kim et al. D13/180

D578,084 S * 10/2008 Kobayakawa D13/180
D632,658 S * 2/2011 Lin D13/180
D640,993 S * 7/2011 Lin D13/180

FOREIGN PATENT DOCUMENTS

DE 402008002583 7/2008
EM 001194260-001 3/2010

* cited by examiner

Primary Examiner — Marcus Jackson

(74) *Attorney, Agent, or Firm* — SAIDMAN DesignLaw
Group

(57) **CLAIM**

The ornamental design for a light emitting diode, as shown
and described.

DESCRIPTION

FIG. 1 is a front, bottom, left side perspective view of a light
emitting diode showing our new design;
FIG. 2 is a rear, top, right side perspective view thereof;
FIG. 3 is a front elevational view thereof;
FIG. 4 is a rear elevational view thereof;
FIG. 5 is a top plan view thereof;
FIG. 6 is a bottom plan view thereof;
FIG. 7 is a left side elevational view thereof; and,
FIG. 8 is a right side elevational view thereof.
The curved diagonal shading indicates translucency.

1 Claim, 3 Drawing Sheets

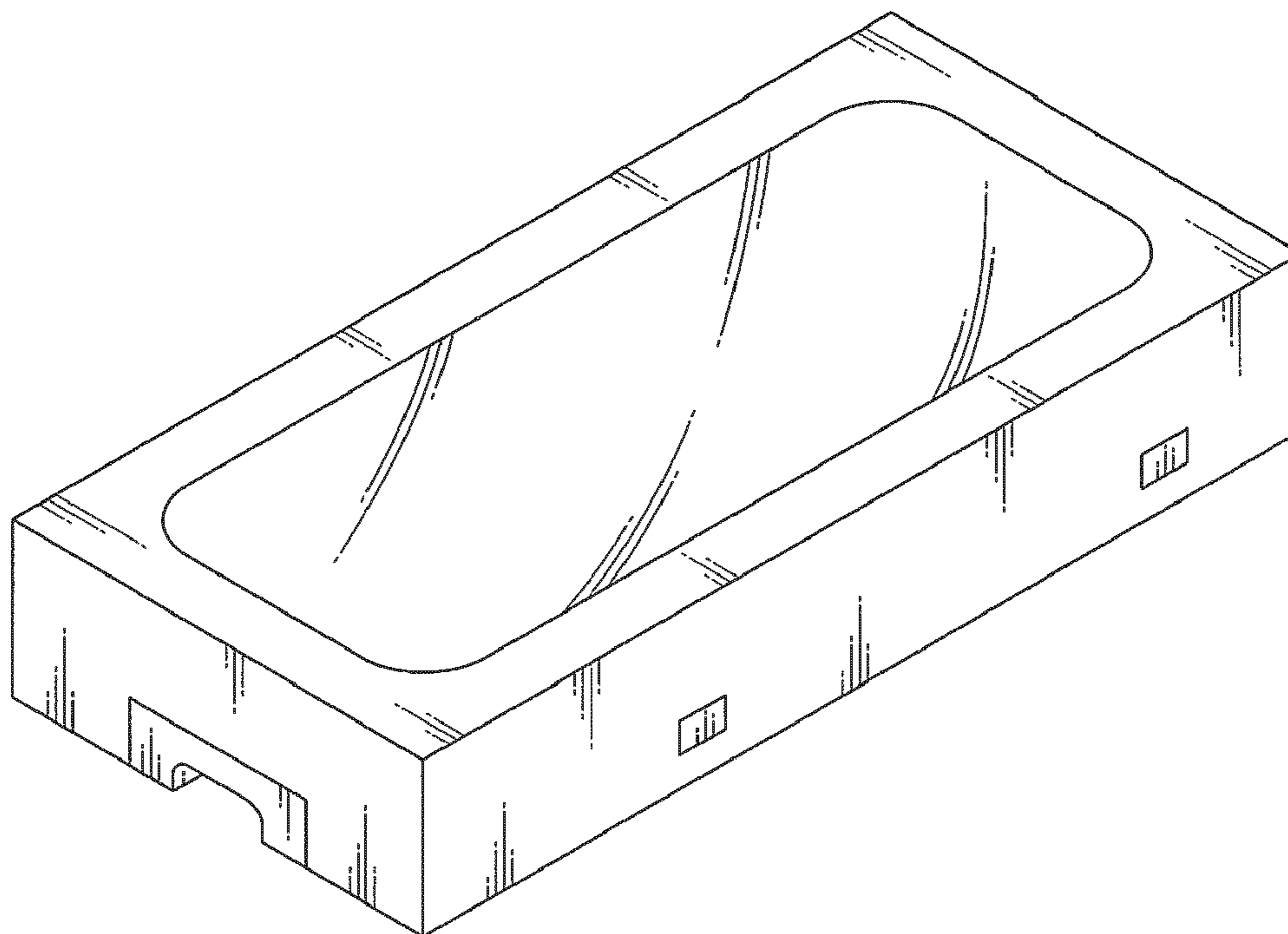


Fig.1

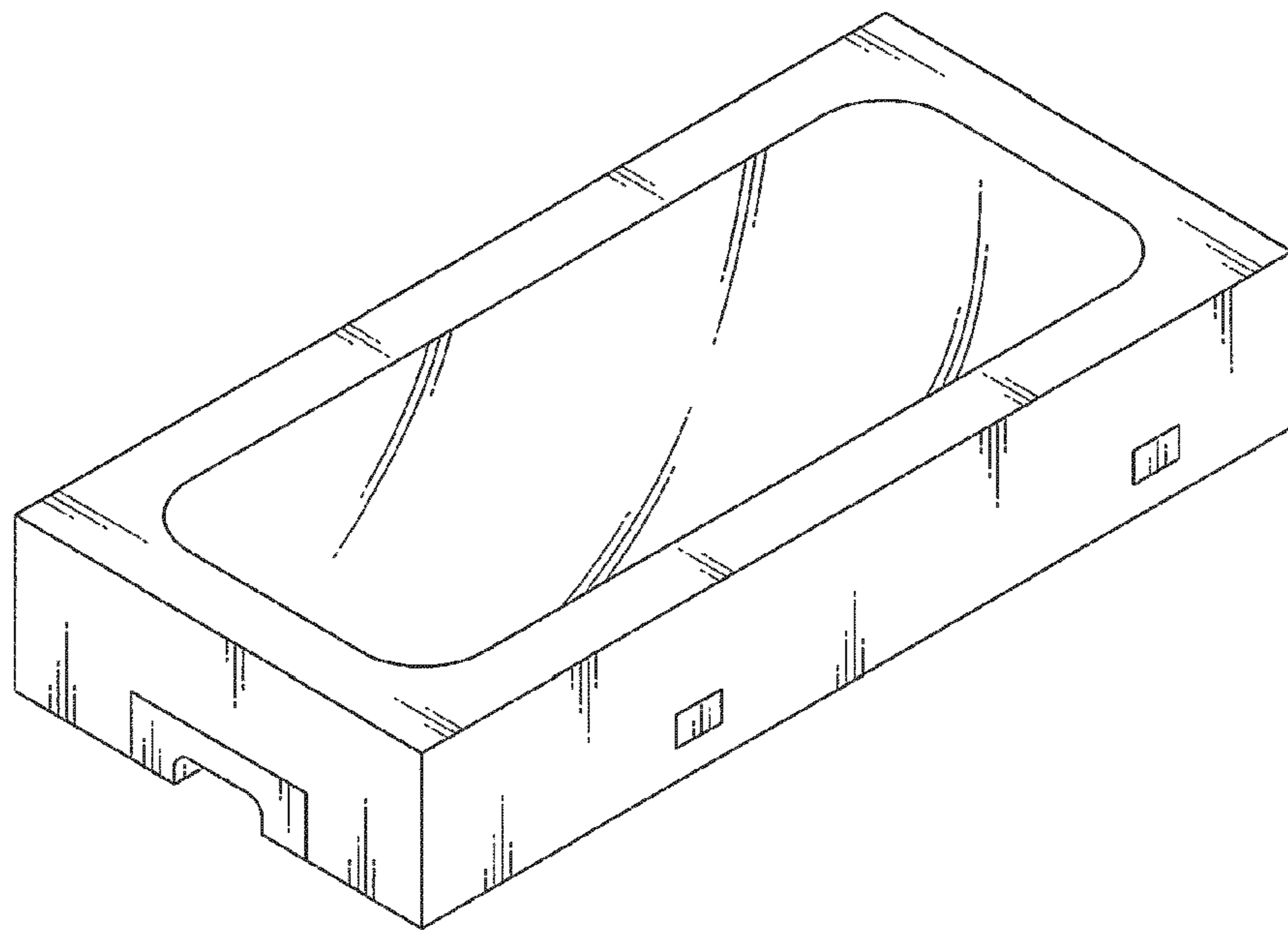


Fig.2

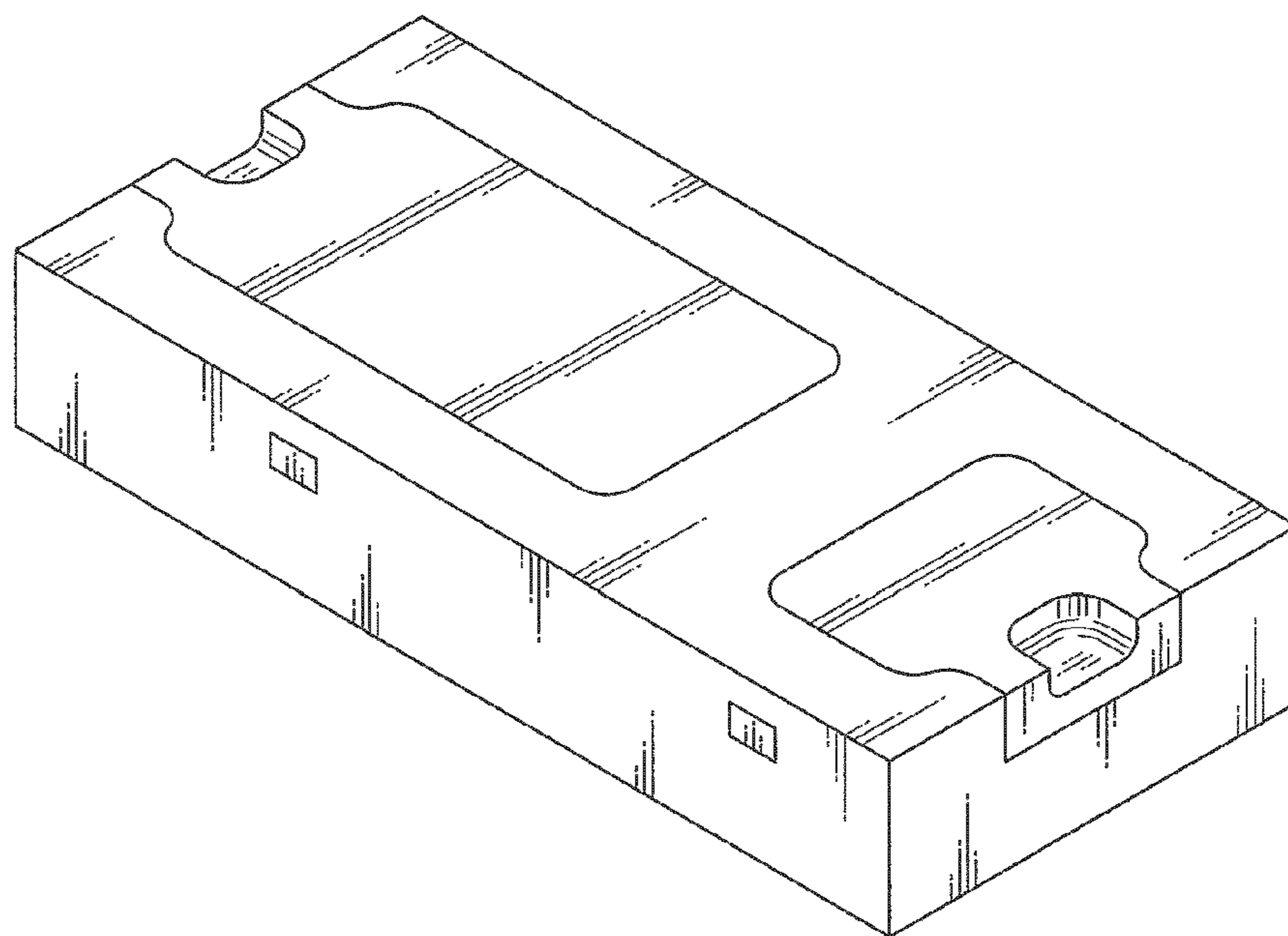


Fig.3

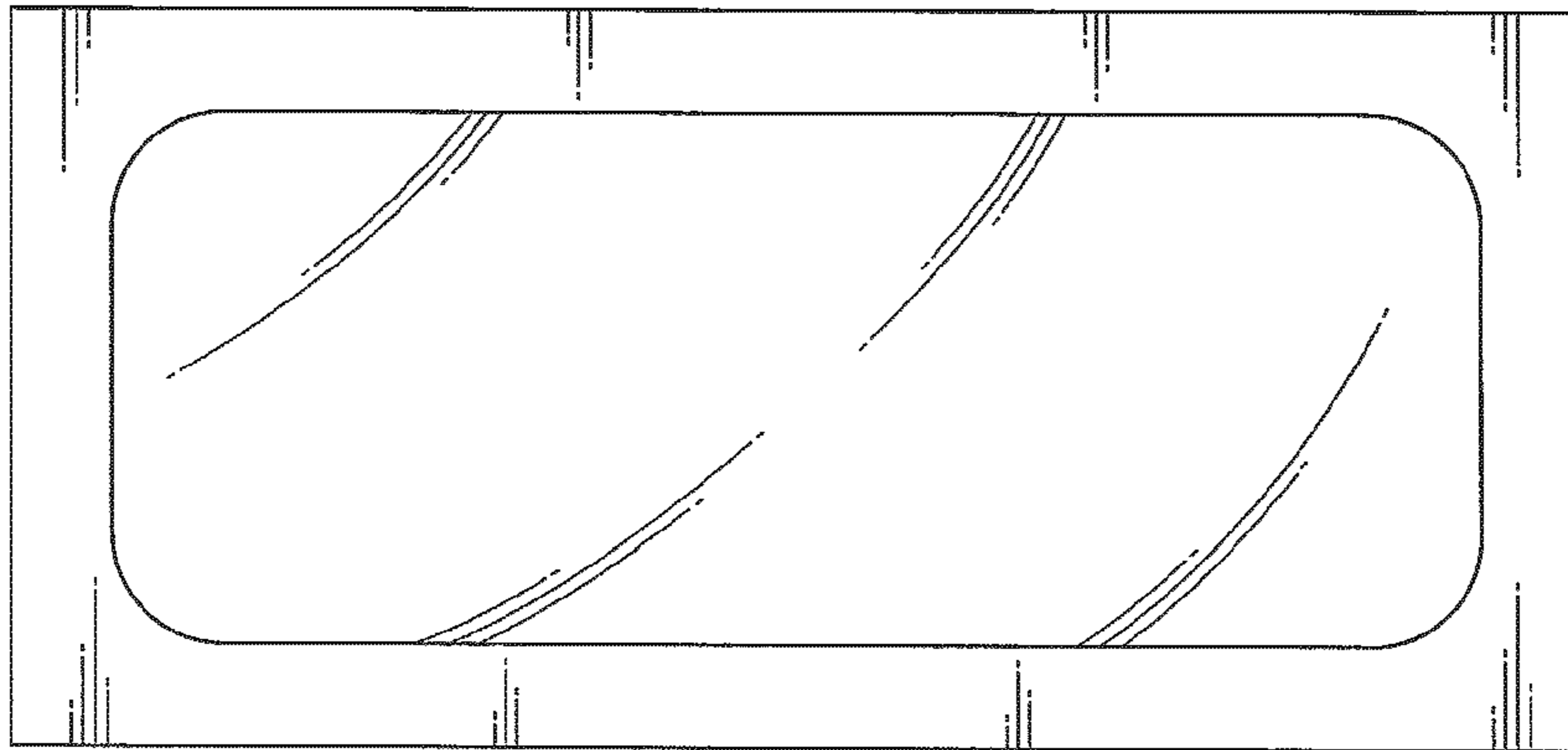


Fig.4

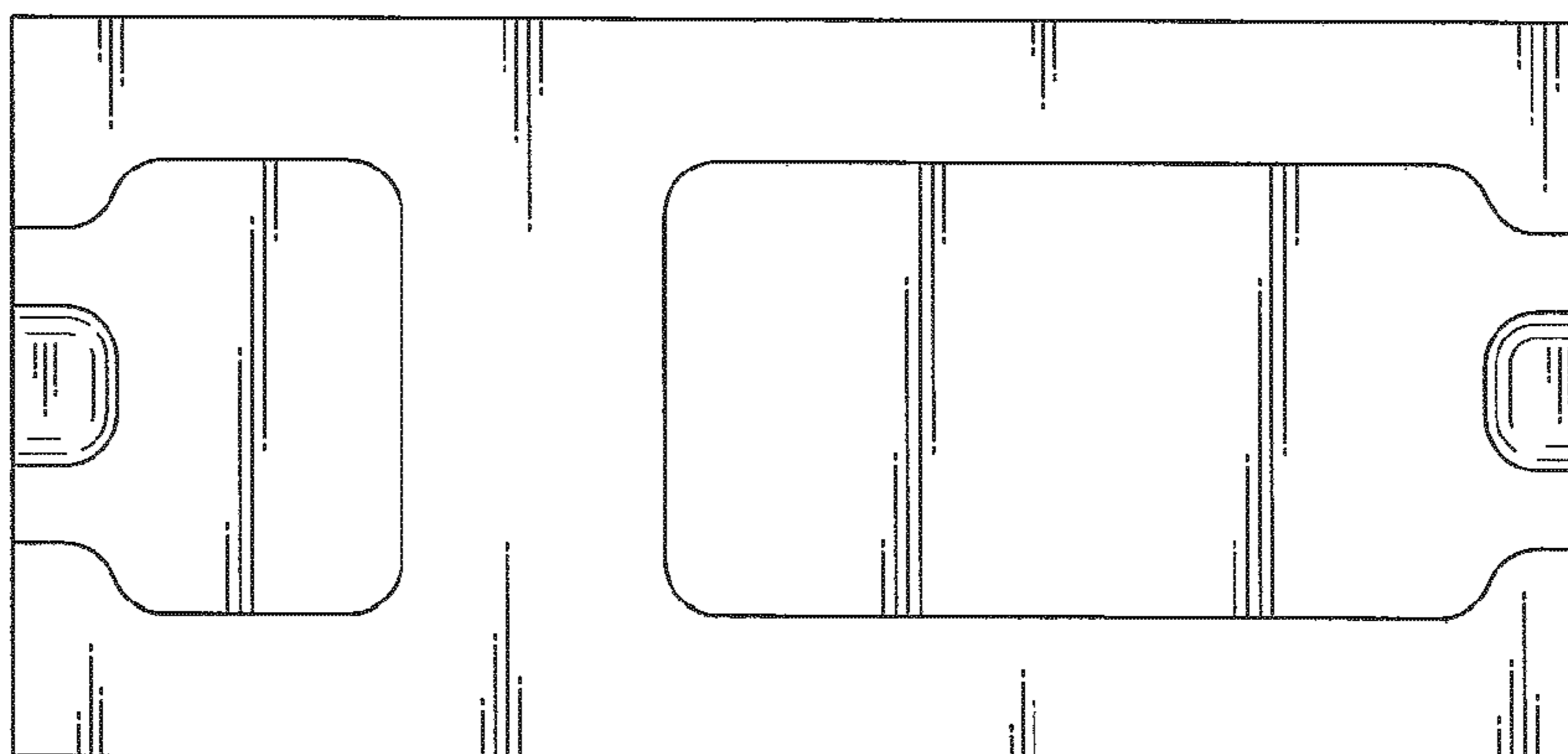


Fig.5

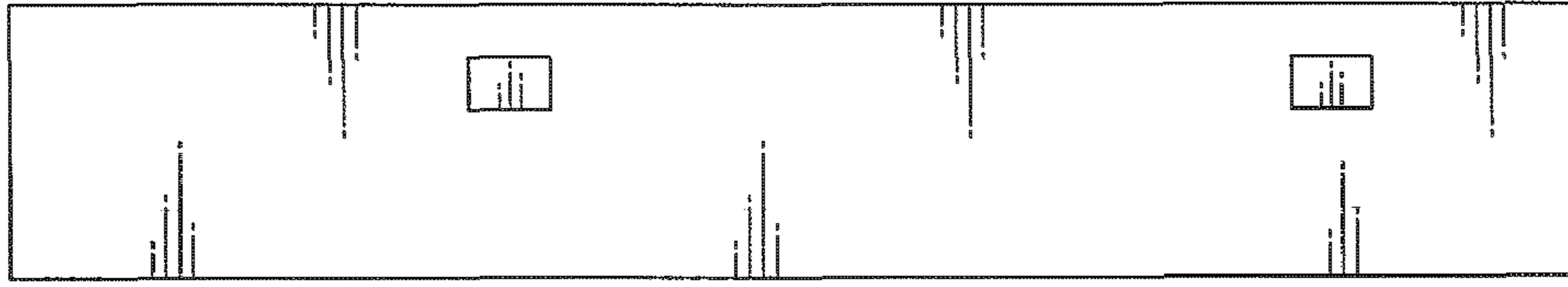


Fig.6

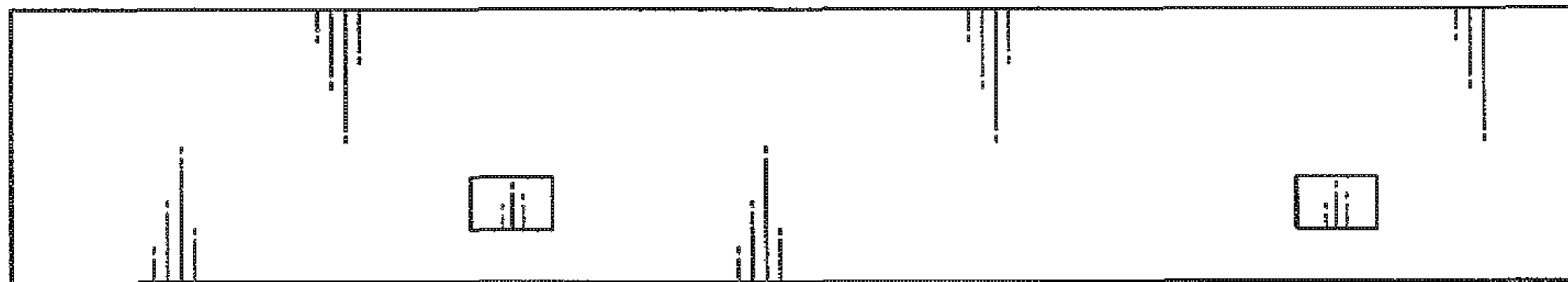


Fig.7

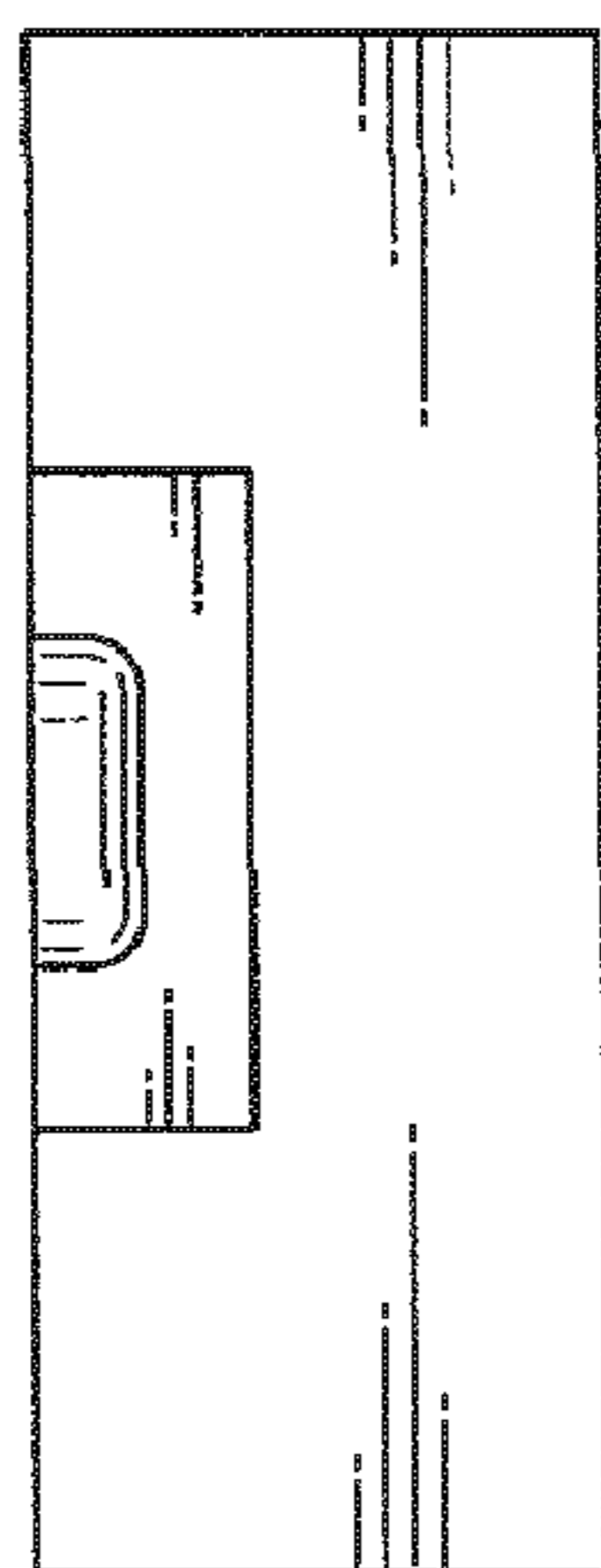


Fig.8

