

US00D664102S

(12) **United States Design Patent**
Hwang et al.

(10) **Patent No.:** **US D664,102 S**
(45) **Date of Patent:** **** Jul. 24, 2012**

(54) **COOLING FIN**

(75) Inventors: **Ching-Bai Hwang**, New Taipei (TW);
Chih-Hsun Lin, New Taipei (TW)

(73) Assignee: **Foxconn Technology Co., Ltd.**,
Tu-Cheng, New Taipei (TW)

(**) Term: **14 Years**

(21) Appl. No.: **29/402,892**

(22) Filed: **Sep. 28, 2011**

(51) **LOC (9) Cl.** **13-03**

(52) **U.S. Cl.** **D13/179**

(58) **Field of Classification Search** D13/179;
165/80.3, 104.33, 122, 151, 185; 257/706,
257/707, 718-722; 361/695, 697, 700, 702,
361/704, 709, 710, 711, 719

See application file for complete search history.

(56) **References Cited**

U.S. PATENT DOCUMENTS

D280,320	S *	8/1985	McCarthy	D13/179
D467,559	S *	12/2002	Lee	D13/179
D478,055	S *	8/2003	Jing et al.	D13/179
D487,885	S *	3/2004	Fan	D13/179
7,568,518	B2 *	8/2009	Li et al.	165/80.3
2003/0024687	A1 *	2/2003	Cheng et al.	165/80.3

2003/0155104	A1 *	8/2003	Wenger et al.	165/80.3
2007/0084584	A1 *	4/2007	Hashimoto	165/80.3
2007/0119566	A1 *	5/2007	Peng	165/80.3
2007/0188992	A1 *	8/2007	Hwang et al.	361/700
2007/0235162	A1 *	10/2007	Lin	165/80.3
2008/0115910	A1 *	5/2008	Sheng	165/80.3
2009/0255649	A1 *	10/2009	Feng	165/80.3
2010/0025018	A1 *	2/2010	Chen	165/104.33
2011/0048675	A1 *	3/2011	Xu et al.	165/80.3
2012/0024514	A1 *	2/2012	Shen	165/185

* cited by examiner

Primary Examiner — Selina Sikder

(74) *Attorney, Agent, or Firm* — Altis Law Group, Inc.

(57) **CLAIM**

The ornamental design for a cooling fin, as shown.

DESCRIPTION

FIG. 1 is a perspective view of a cooling fan showing our new design.

FIG. 2 is a front elevational view thereof.

FIG. 3 is a rear elevational view thereof.

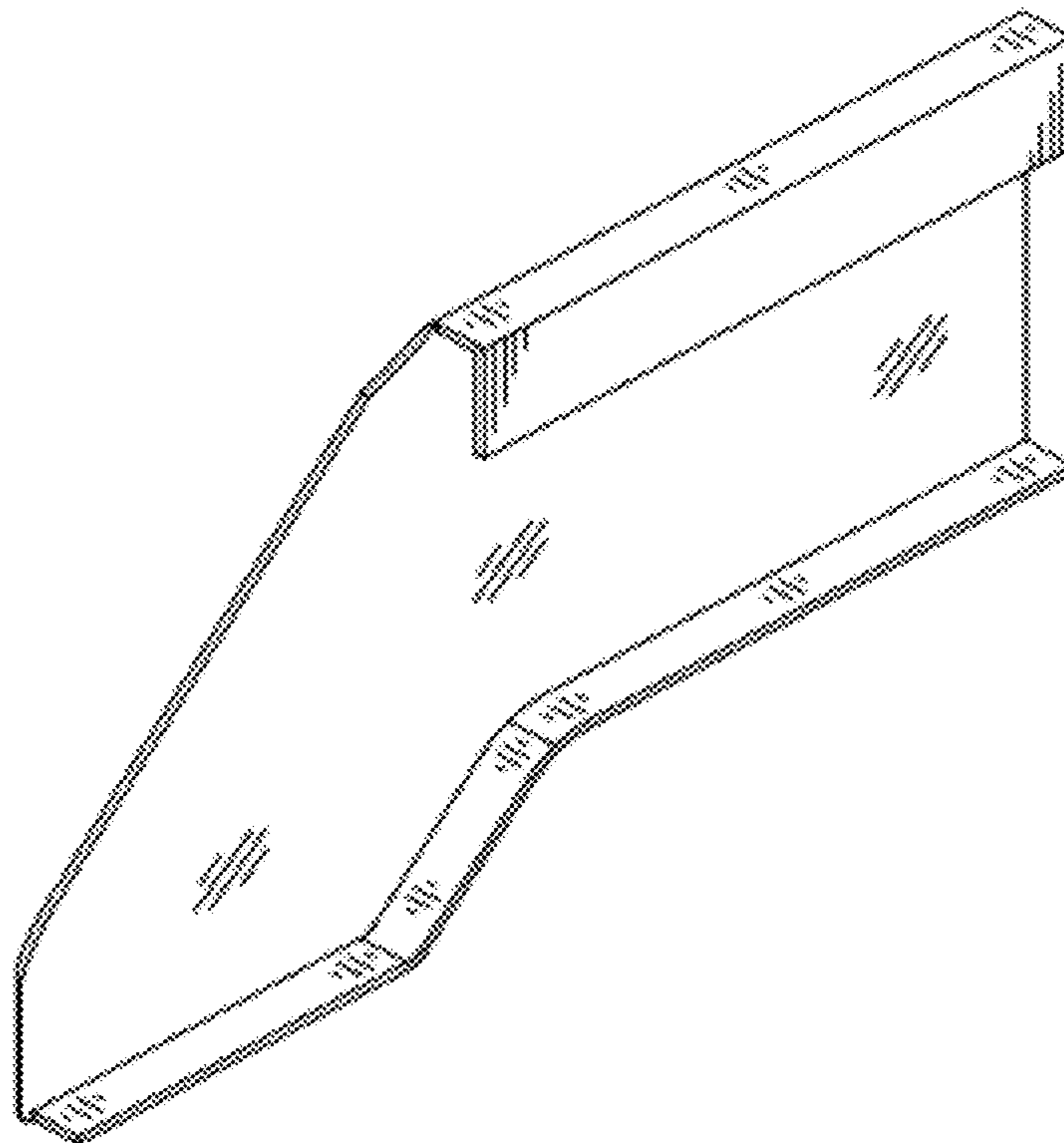
FIG. 4 is a left-side, elevational view thereof.

FIG. 5 is a right-side, elevational view thereof.

FIG. 6 is a top plan view thereof; and,

FIG. 7 is a bottom plan view thereof.

1 Claim, 7 Drawing Sheets



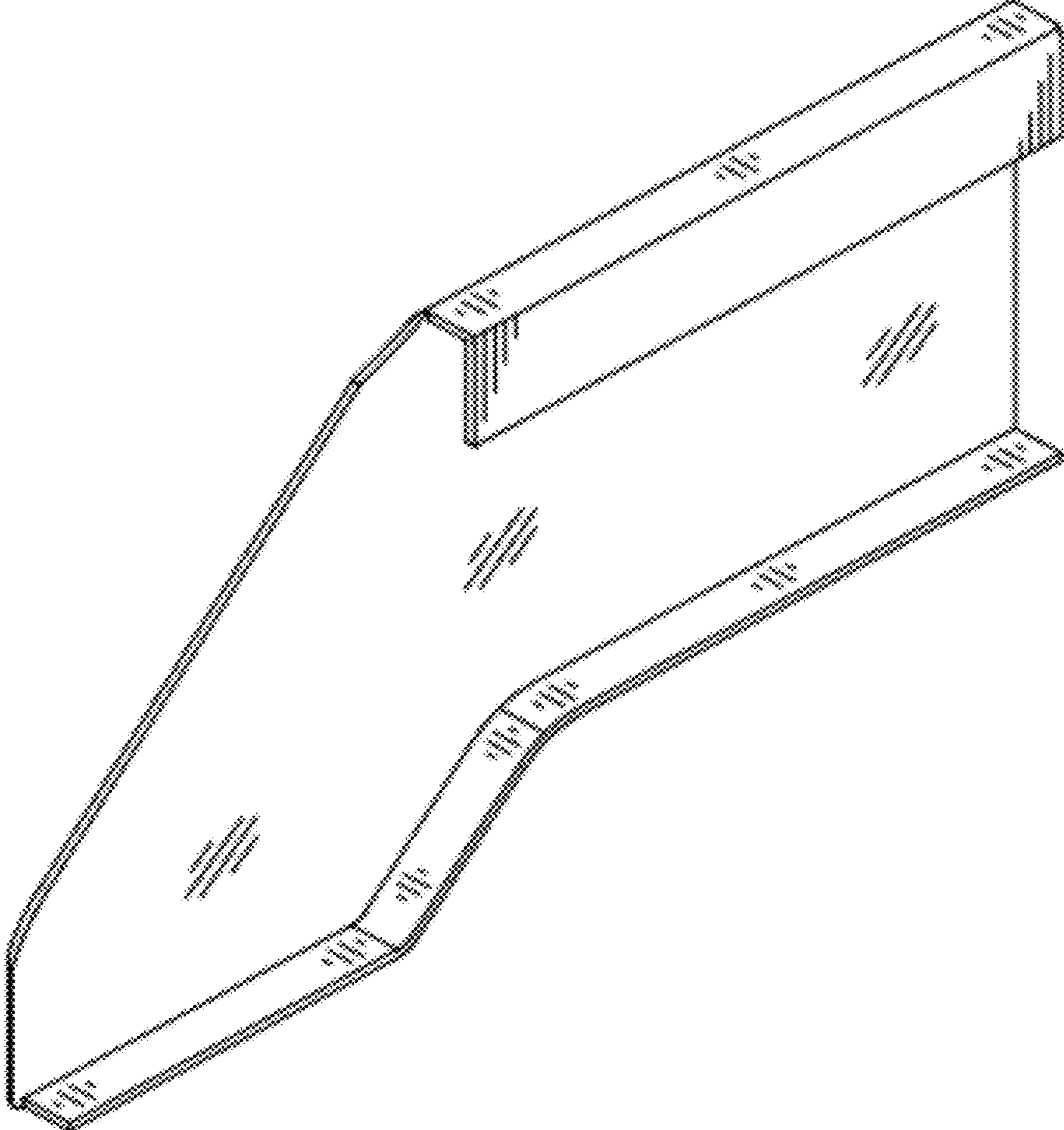


FIG. 1



FIG. 2

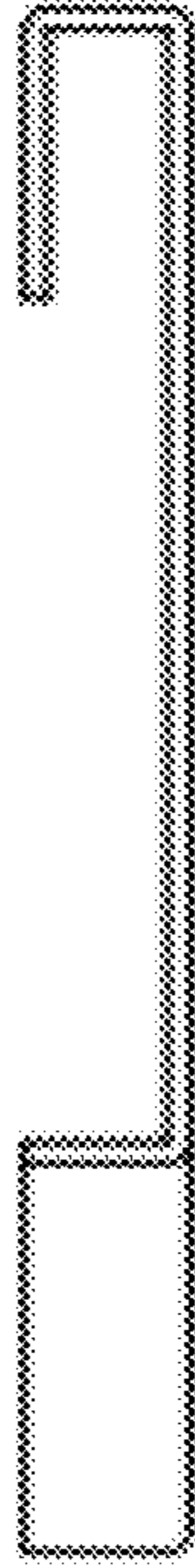


FIG. 3

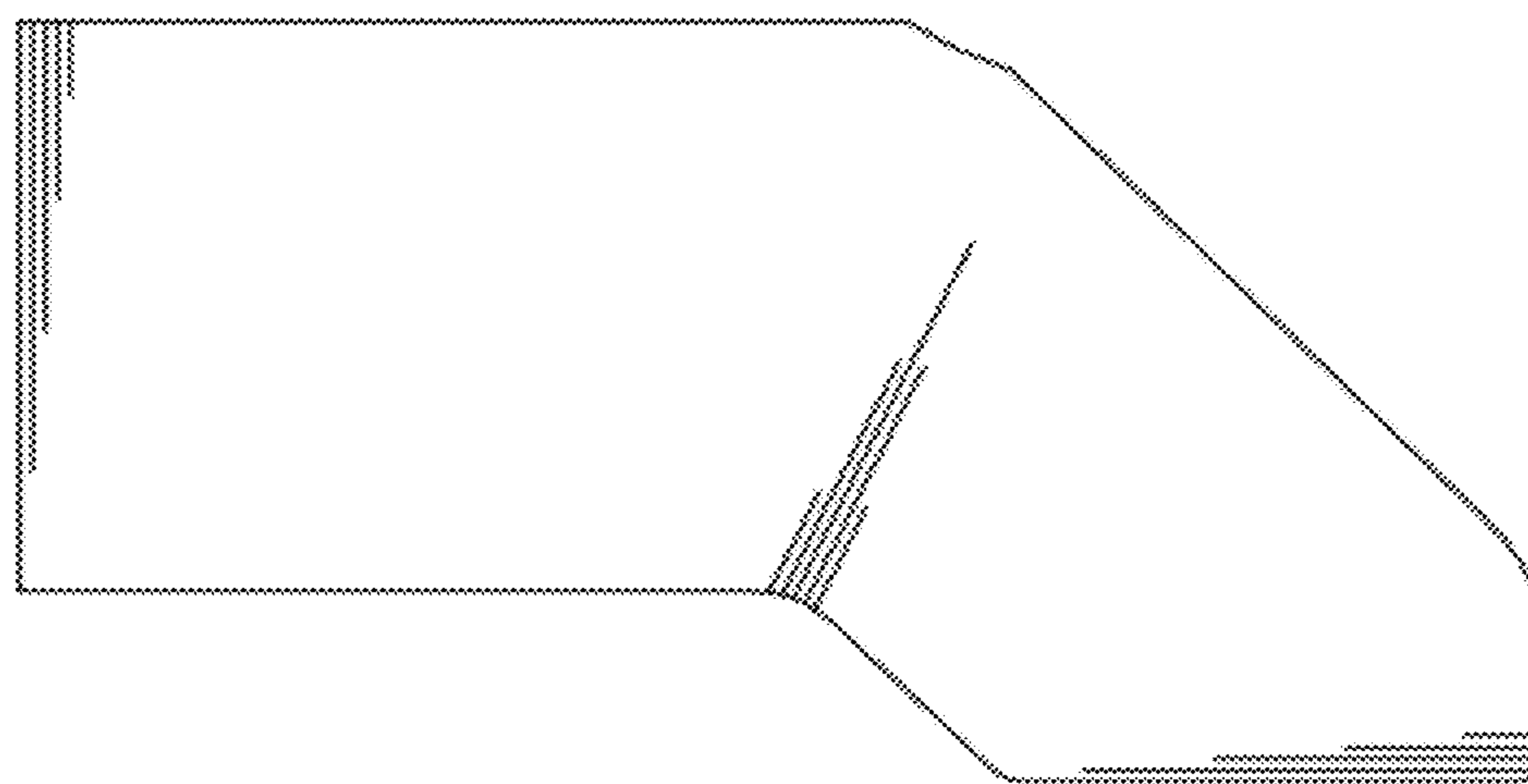


FIG. 4

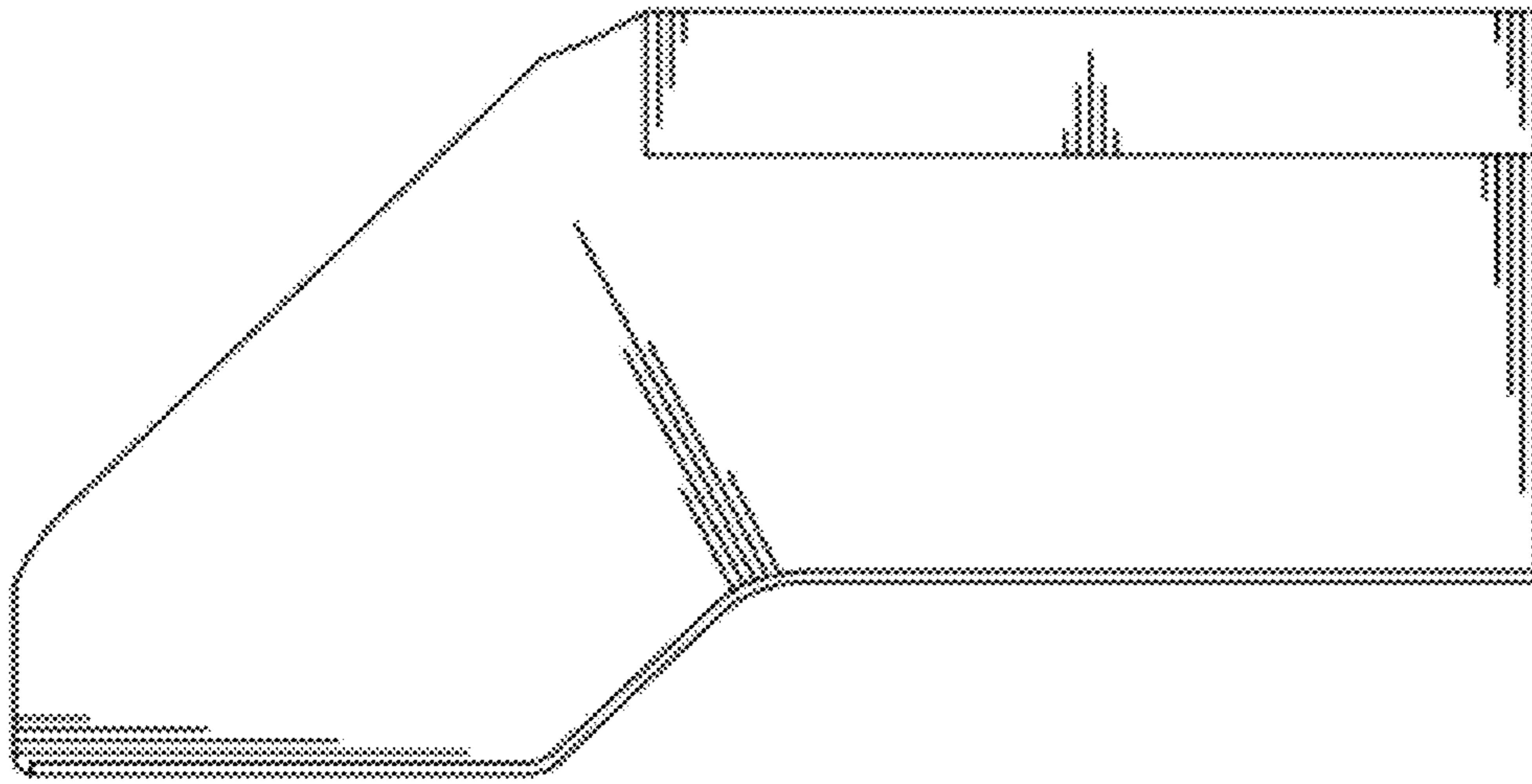


FIG. 5

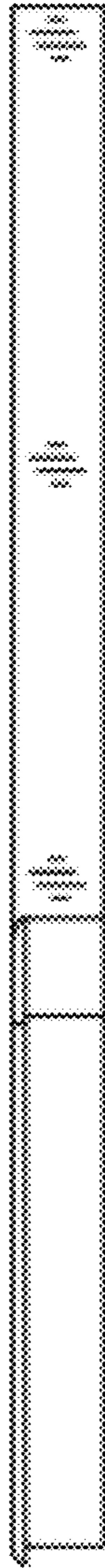


FIG. 6



FIG. 7