

US00D664100S

(12) **United States Design Patent**  
**Montena et al.**

(10) **Patent No.:** **US D664,100 S**  
(45) **Date of Patent:** **\*\* \*Jul. 24, 2012**

- (54) **SEALING BOOT**
- (75) Inventors: **Noah Montena**, Syracuse, NY (US);  
**Chris Natoli**, Fulton, NY (US)
- (73) Assignee: **John Mezzalingua Associates, Inc.**,  
East Syracuse, NY (US)
- (\*) Notice: This patent is subject to a terminal disclaimer.
- (\*\*) Term: **14 Years**
- (21) Appl. No.: **29/398,963**
- (22) Filed: **Aug. 8, 2011**

- 4,173,385 A 11/1979 Fenn et al.
- 4,224,464 A 9/1980 Bunnell et al.
- 4,283,597 A 8/1981 Cooper, Jr.
- 4,325,600 A 4/1982 Nestor
- 4,593,962 A 6/1986 Knorreck et al.
- 4,822,293 A 4/1989 Robson
- 4,998,894 A 3/1991 Gronvall
- D322,954 S 1/1992 Avramovich
- 5,132,495 A 7/1992 Ewing et al.
- D331,567 S 12/1992 Braga et al.
- 5,299,951 A 4/1994 Blaetz
- 5,502,280 A 3/1996 Rocci et al.
- 5,564,951 A 10/1996 Attal et al.
- 5,816,853 A 10/1998 Buekers et al.
- 5,844,171 A 12/1998 Fitzgerald
- 5,857,865 A 1/1999 Shimirak et al.
- D407,378 S 3/1999 Lee
- 6,162,087 A 12/2000 Hiura
- 6,273,733 B1 8/2001 Uchiyama
- D456,363 S 4/2002 Lee

**Related U.S. Application Data**

- (63) Continuation of application No. 29/376,068, filed on Oct. 1, 2010, now Pat. No. Des. 643,372, which is a continuation of application No. 12/760,134, filed on Apr. 14, 2010.

- (51) **LOC (9) Cl.** ..... **13-03**
- (52) **U.S. Cl.** ..... **D13/156**
- (58) **Field of Classification Search** ..... D13/133,  
D13/153, 154, 156, 184; 439/271, 275, 277,  
439/278, 279, 281, 282, 283, 445, 447, 578,  
439/583, 584, 927

See application file for complete search history.

(56) **References Cited**

**U.S. PATENT DOCUMENTS**

- 2,881,406 A 4/1959 Arson
- D188,102 S 6/1960 Yarick, Jr.
- 2,946,839 A 7/1960 Horning
- D206,662 S 1/1967 Karol
- 3,390,375 A 6/1968 Salmonson
- 3,528,051 A 9/1970 Toedtman et al.
- 3,713,077 A 1/1973 Leonard
- 3,753,192 A 8/1973 Urani
- D231,534 S 4/1974 Carder
- 3,861,777 A 1/1975 Clark

(Continued)

*Primary Examiner* — Daniel Bui

(74) *Attorney, Agent, or Firm* — Stephen R. Yoder, Esq.

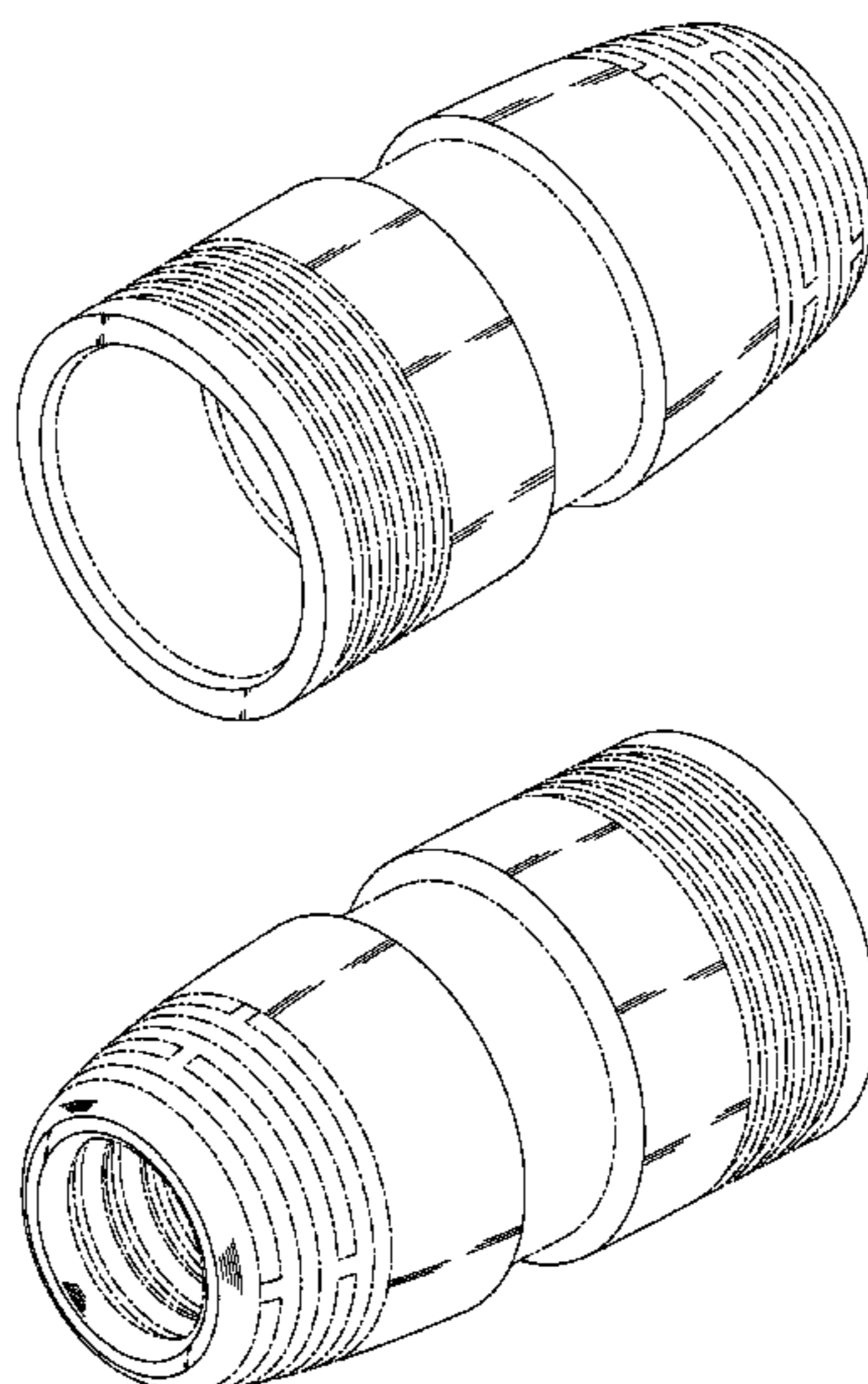
(57) **CLAIM**

The ornamental design for a sealing boot, as shown and described.

**DESCRIPTION**

FIG. 1 is a top, front perspective view of a sealing boot showing our new design;  
 FIG. 2 is a top, back perspective view thereof;  
 FIG. 3 is a top plan view thereof, the bottom plan view being a mirror image thereto;  
 FIG. 4 is a left side elevation view thereof, the right side elevation view being a mirror image thereto;  
 FIG. 5 is a front elevation view thereof; and,  
 FIG. 6 is a back elevation view thereof.  
 The broken line portion of the figure drawings is included to show unclaimed subject matter only and forms no part of the claimed design.

**1 Claim, 5 Drawing Sheets**



# US D664,100 S

Page 2

---

## U.S. PATENT DOCUMENTS

D458,351 S	6/2002	Chen	7,402,063 B2	7/2008	Montena	
6,558,180 B2	5/2003	Nishimoto	D575,744 S	8/2008	Amidon	
D496,000 S	9/2004	Cornell	D584,228 S	1/2009	Strickland, Jr.	
D500,475 S	1/2005	Noro et al.	D586,757 S	2/2009	Minnick	
D504,113 S	4/2005	Montena	7,500,874 B2 *	3/2009	Montena	439/587
6,929,265 B2	8/2005	Holland et al.	D597,947 S	8/2009	Ono	
6,942,520 B2	9/2005	Barlian et al.	D601,090 S	9/2009	Vigorito et al.	
D512,023 S	11/2005	Bachmann	D605,595 S	12/2009	Thomas	
7,001,202 B2	2/2006	Robbins	D631,848 S	2/2011	Montena et al.	
7,179,100 B2	2/2007	Montena	2006/0035508 A1	2/2006	Stekelenburg	
7,186,127 B2	3/2007	Montena	2006/0286862 A1	12/2006	Lubinsky et al.	
7,216,426 B2	5/2007	Borgstrom et al.	2010/0248533 A1	9/2010	Montena	
D549,178 S	8/2007	Amidon				

\* cited by examiner

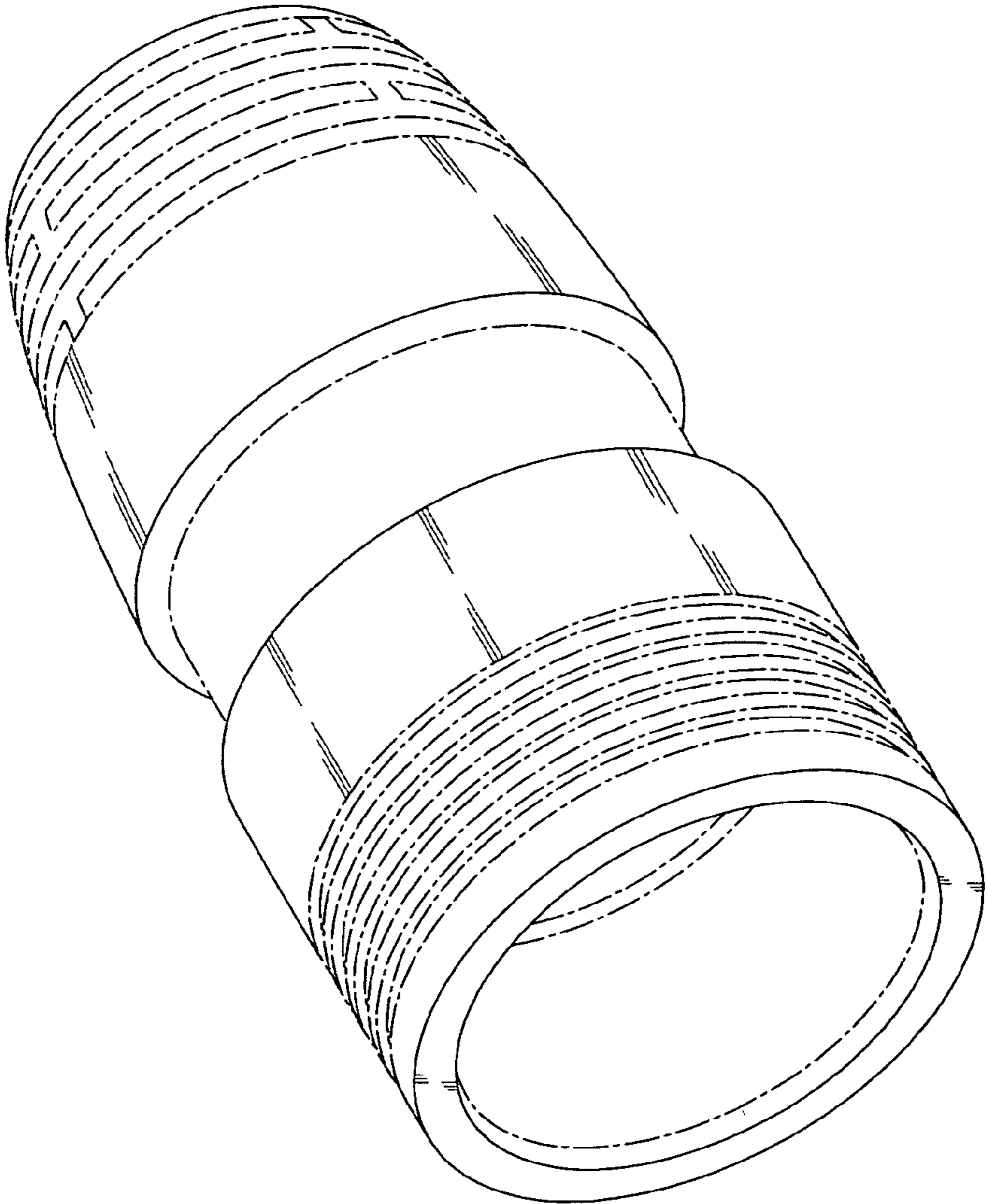


FIG. 1

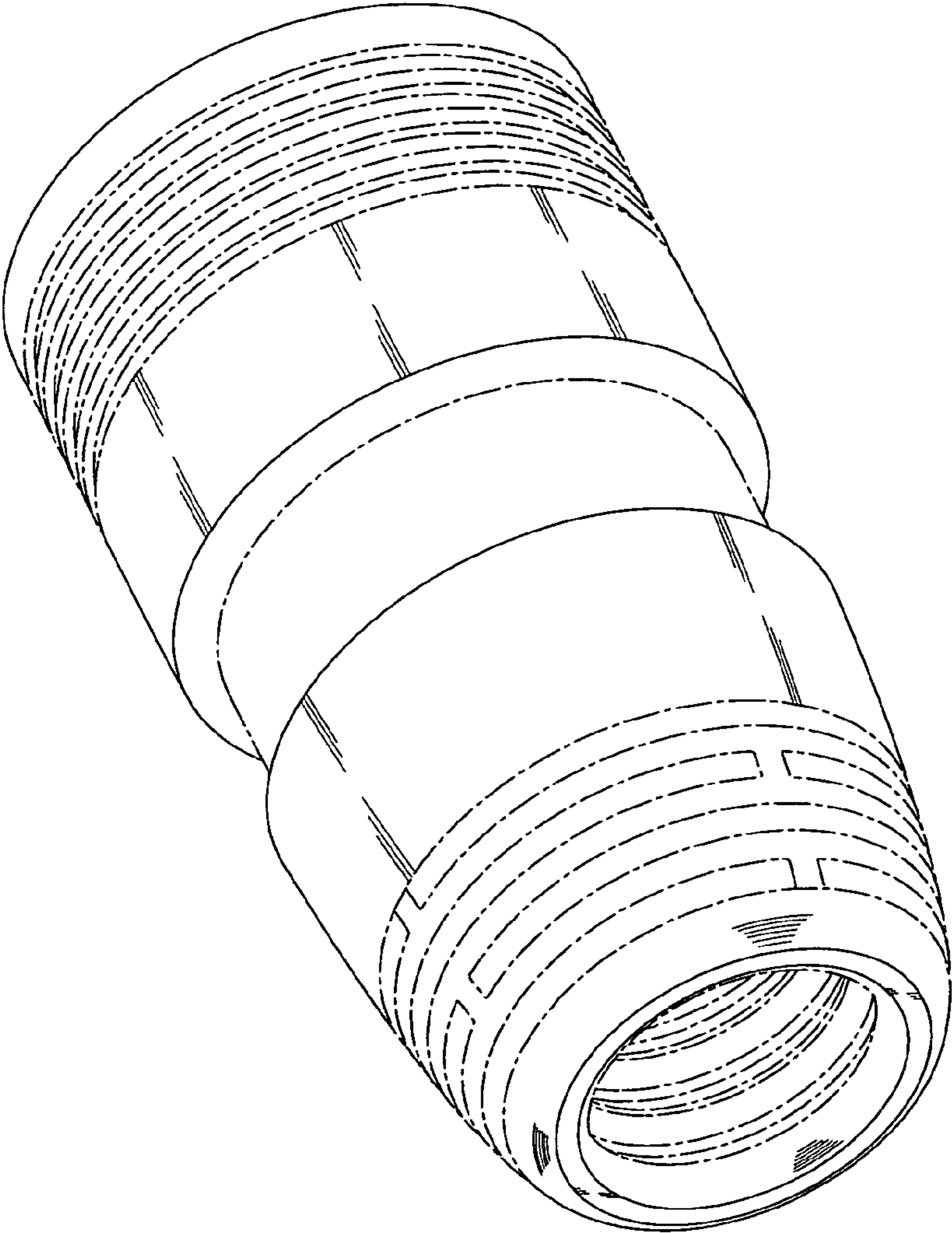


FIG. 2

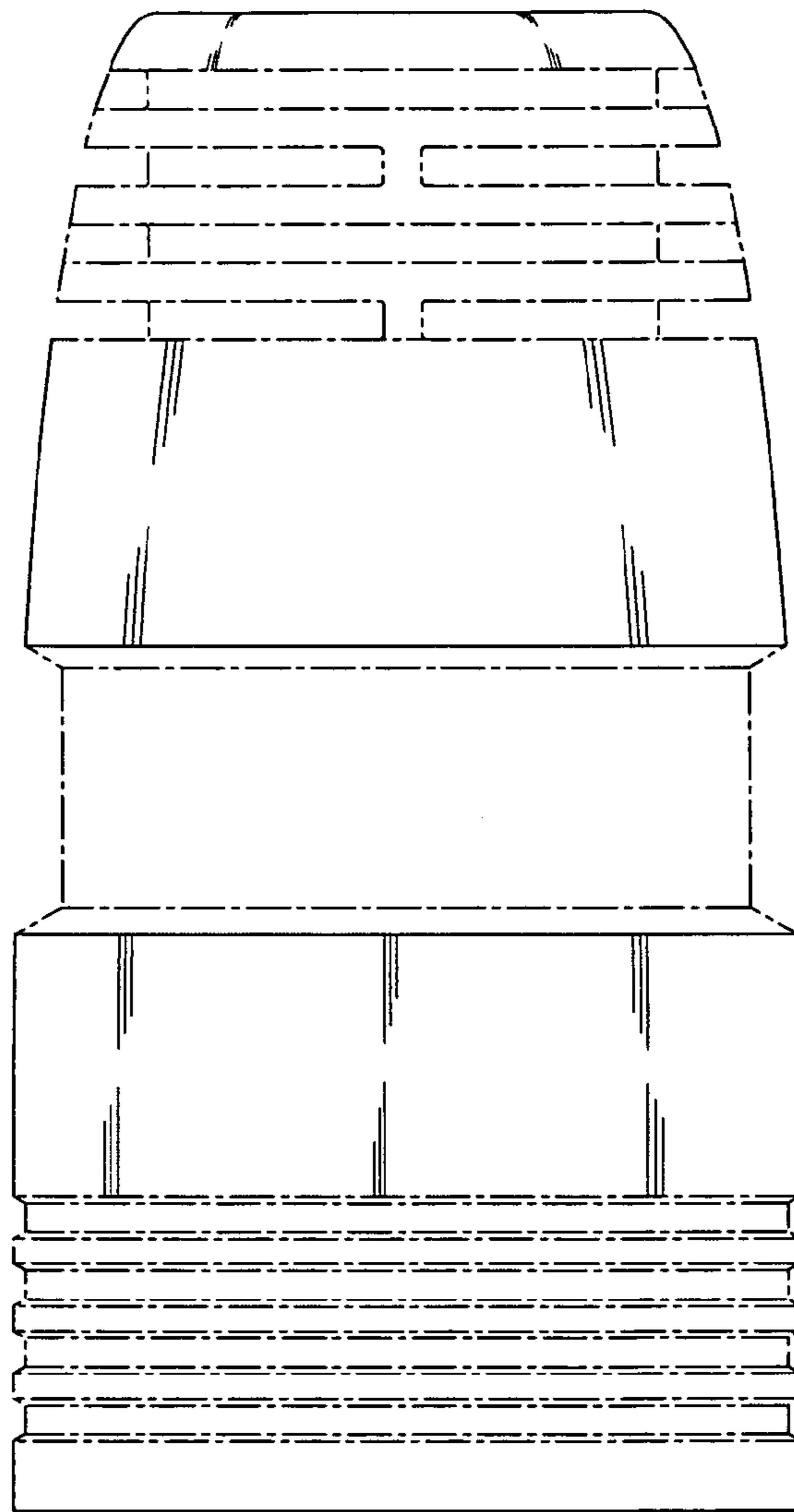


FIG. 3

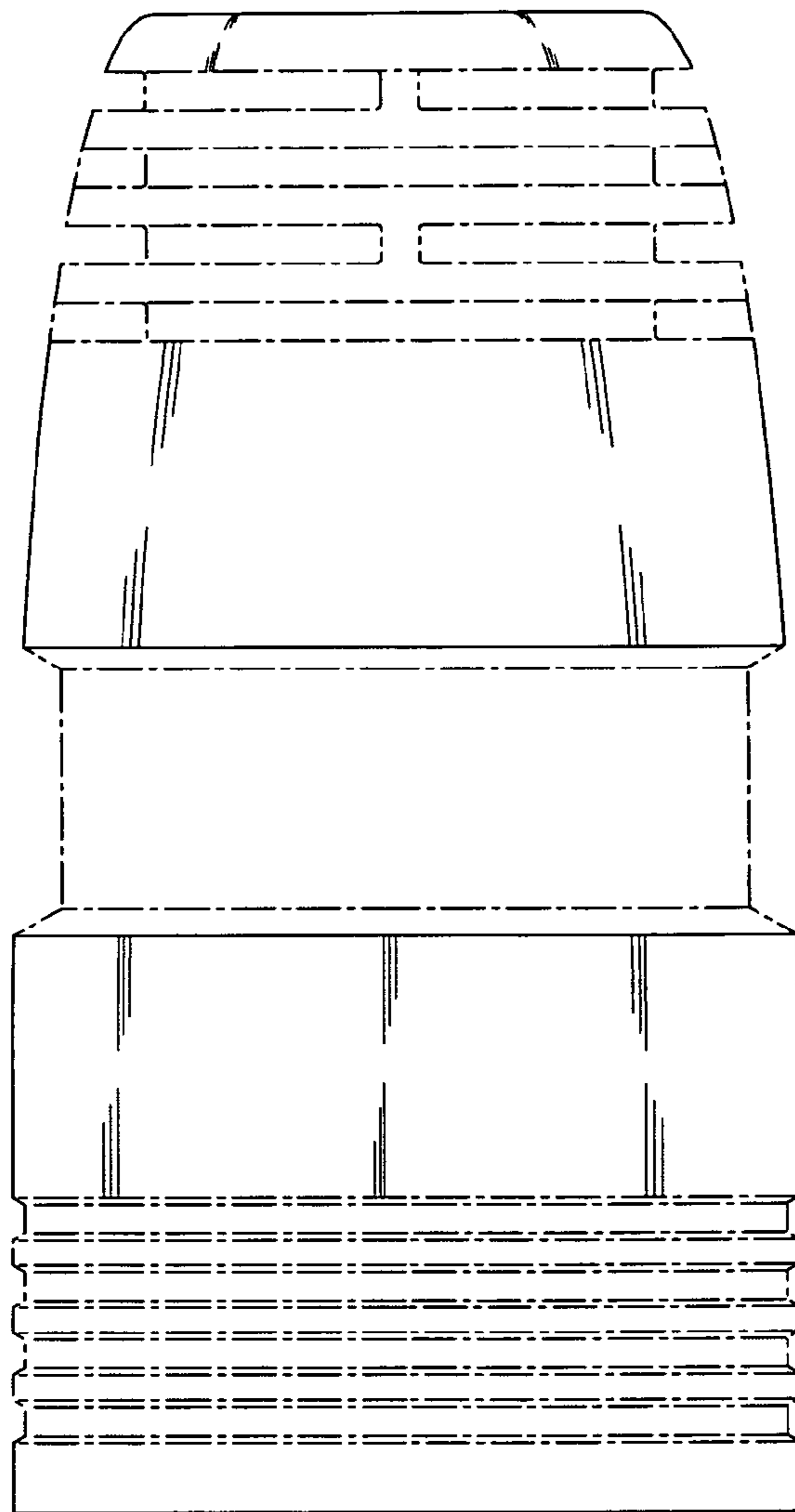


FIG. 4

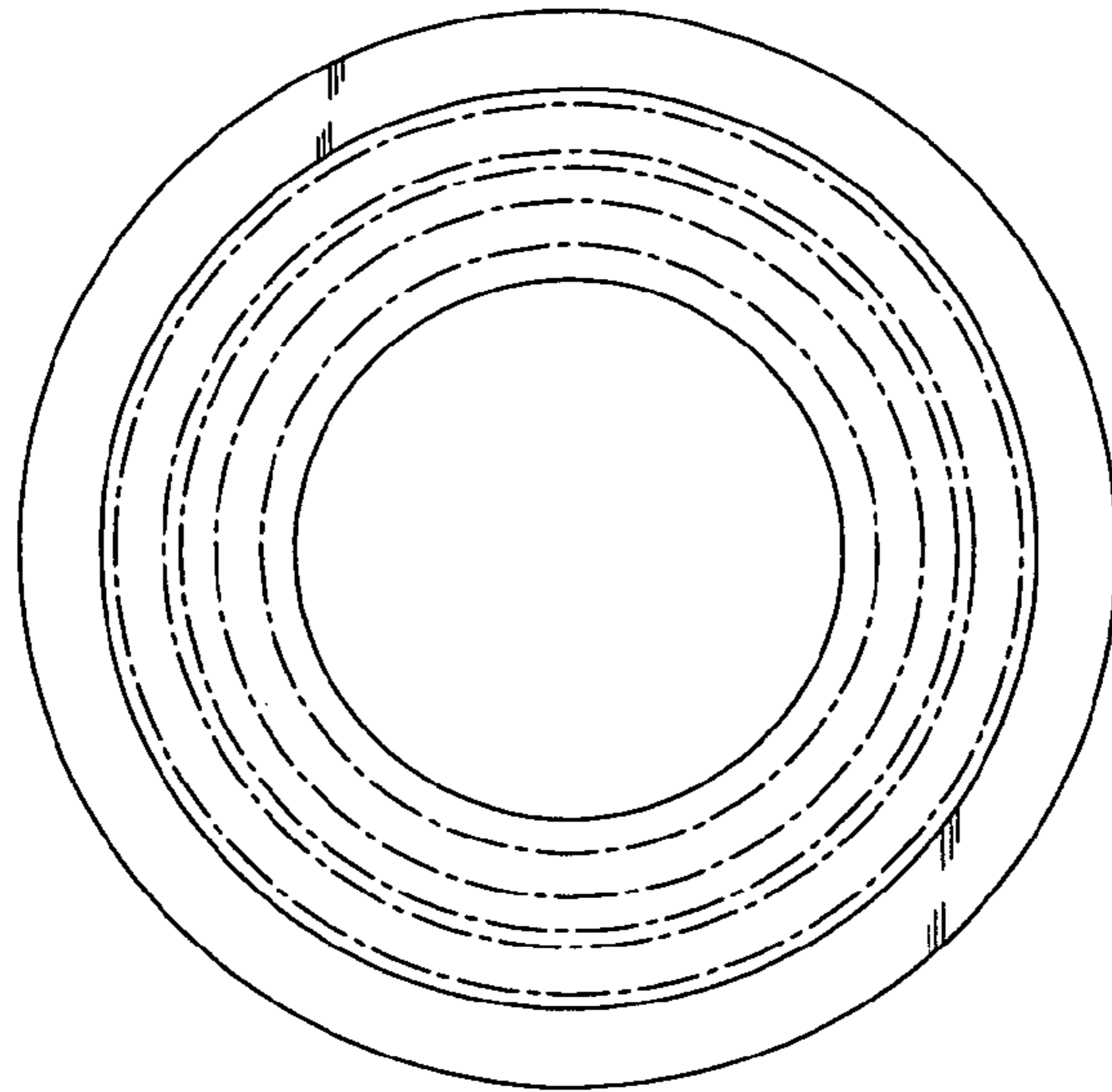


FIG. 5

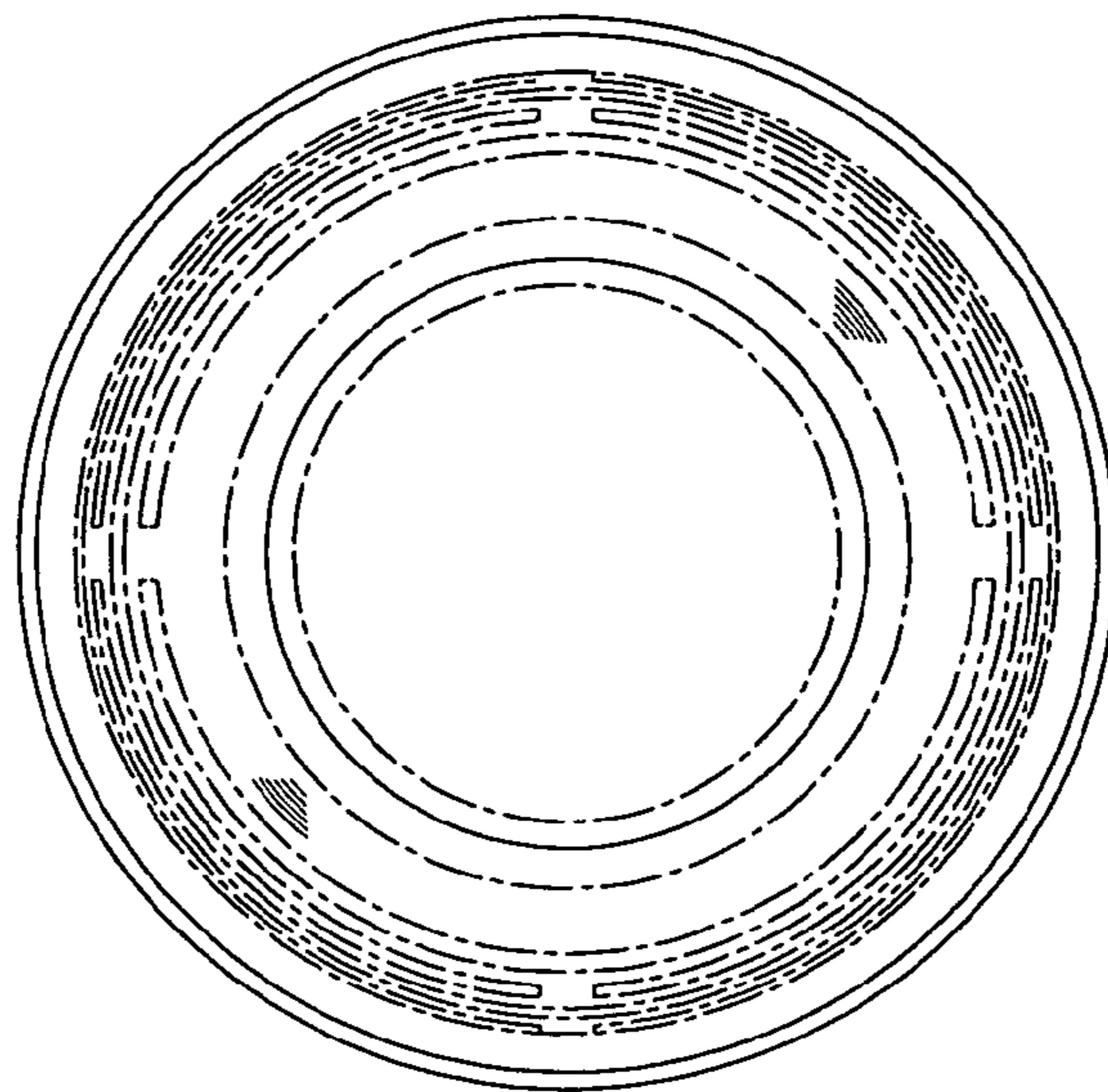


FIG. 6