



US00D664099S

(12) **United States Design Patent**
Fukushima et al.

(10) **Patent No.:** **US D664,099 S**
(45) **Date of Patent:** **** Jul. 24, 2012**

(54) **CAP FOR ELECTRIC CONNECTOR**

(75) Inventors: **Hiroataka Fukushima**, Kakegawa (JP);
Takashi Tsukamoto, Kakegawa (JP)

(73) Assignee: **Yazaki Corporation**, Tokyo (JP)

(**) Term: **14 Years**

(21) Appl. No.: **29/397,985**

(22) Filed: **Jul. 25, 2011**

(30) **Foreign Application Priority Data**

Jan. 27, 2011 (JP) D2011-001734

(51) **LOC (9) Cl.** **13-03**

(52) **U.S. Cl.** **D13/156**

(58) **Field of Classification Search** D13/156,
D13/133, 149, 151, 154, 184, 199; D9/434,
D9/449; D14/217, 242, 256; 439/95, 135,
439/207, 253, 255, 445-447

See application file for complete search history.

(56) **References Cited**

U.S. PATENT DOCUMENTS

D51,893 S * 3/1918 Temple et al. D13/156
D246,898 S * 1/1978 Lisnay D13/156
D292,889 S * 11/1987 Ostrowsky D13/160

D293,235 S * 12/1987 Loof D9/449
5,423,695 A * 6/1995 Robinson et al. D13/157
6,083,016 A * 7/2000 Waynick, Sr. 439/517
D521,941 S * 5/2006 Phung et al. 439/135
D614,143 S * 4/2010 Matsuoka D13/156
D629,366 S * 12/2010 Ericson et al. D13/154

* cited by examiner

Primary Examiner — Derrick Holland

(74) *Attorney, Agent, or Firm* — Sughrue Mion, PLLC

(57) **CLAIM**

The ornamental design for an electric connector, as shown and described.

DESCRIPTION

FIG. 1 is a perspective view of the front, top and right side of a cap for electric connector showing our new design;

FIG. 2 is a front view thereof;

FIG. 3 is a rear view thereof;

FIG. 4 is a top plan view thereof;

FIG. 5 is a bottom plan view thereof;

FIG. 6 is a right side view thereof; and,

FIG. 7 is a reference view showing usage state.

Left side view is omitted from the drawings, since the left side view appears to be symmetrical with the right side view.

The broken lines shown represent unclaimed subject matter and form no part of the claimed design.

1 Claim, 7 Drawing Sheets

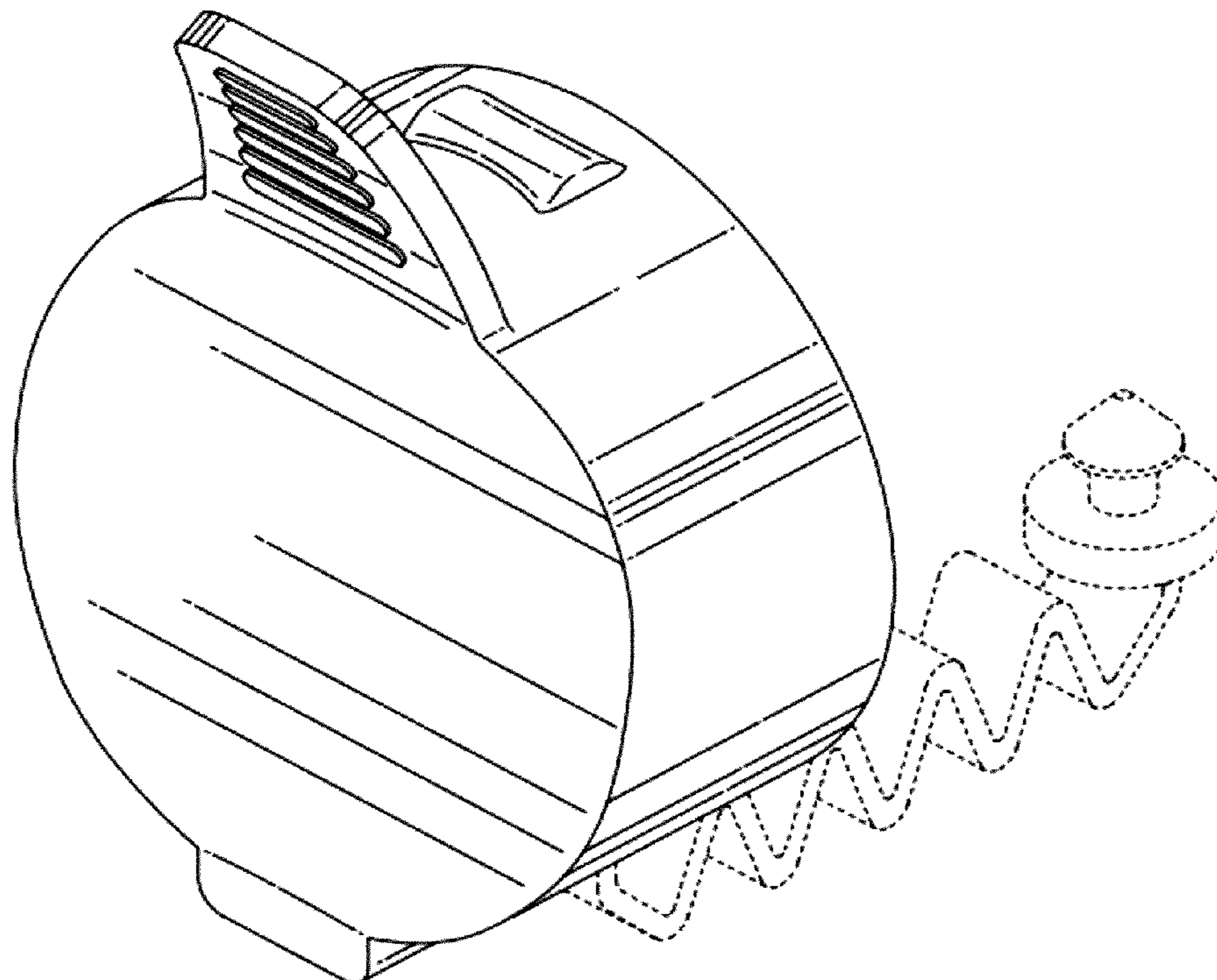


Fig. 1

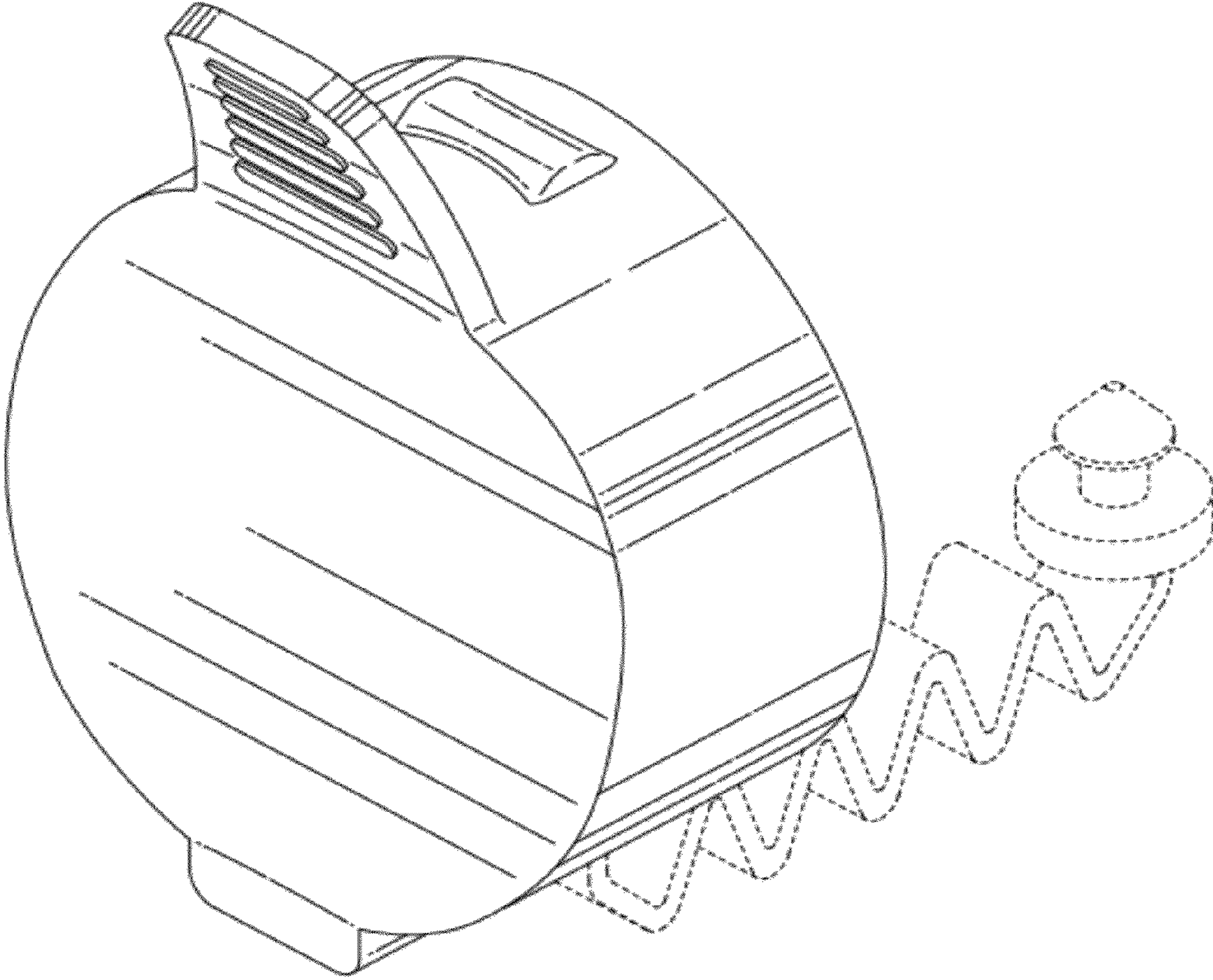


Fig. 2

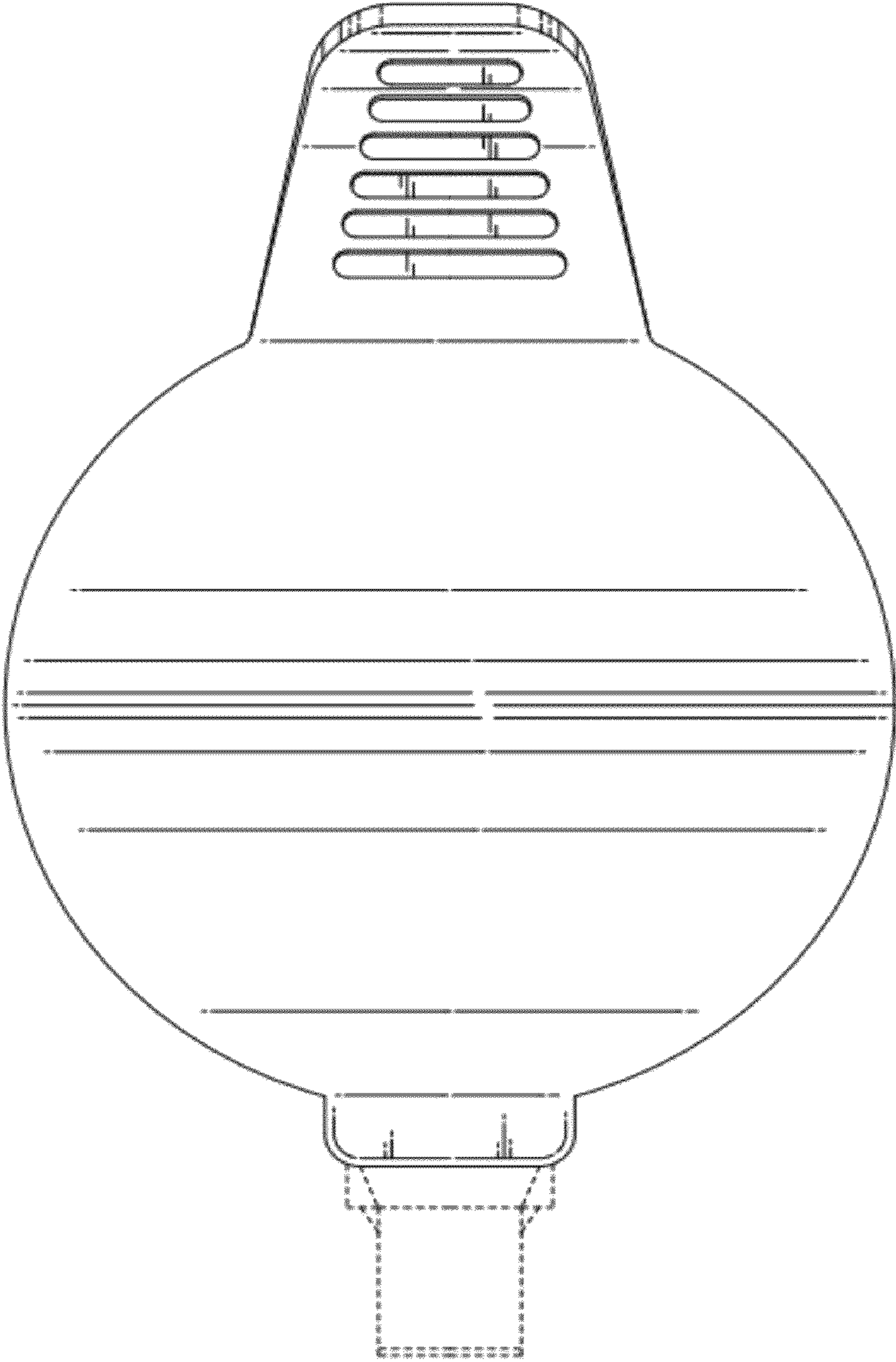


Fig. 3

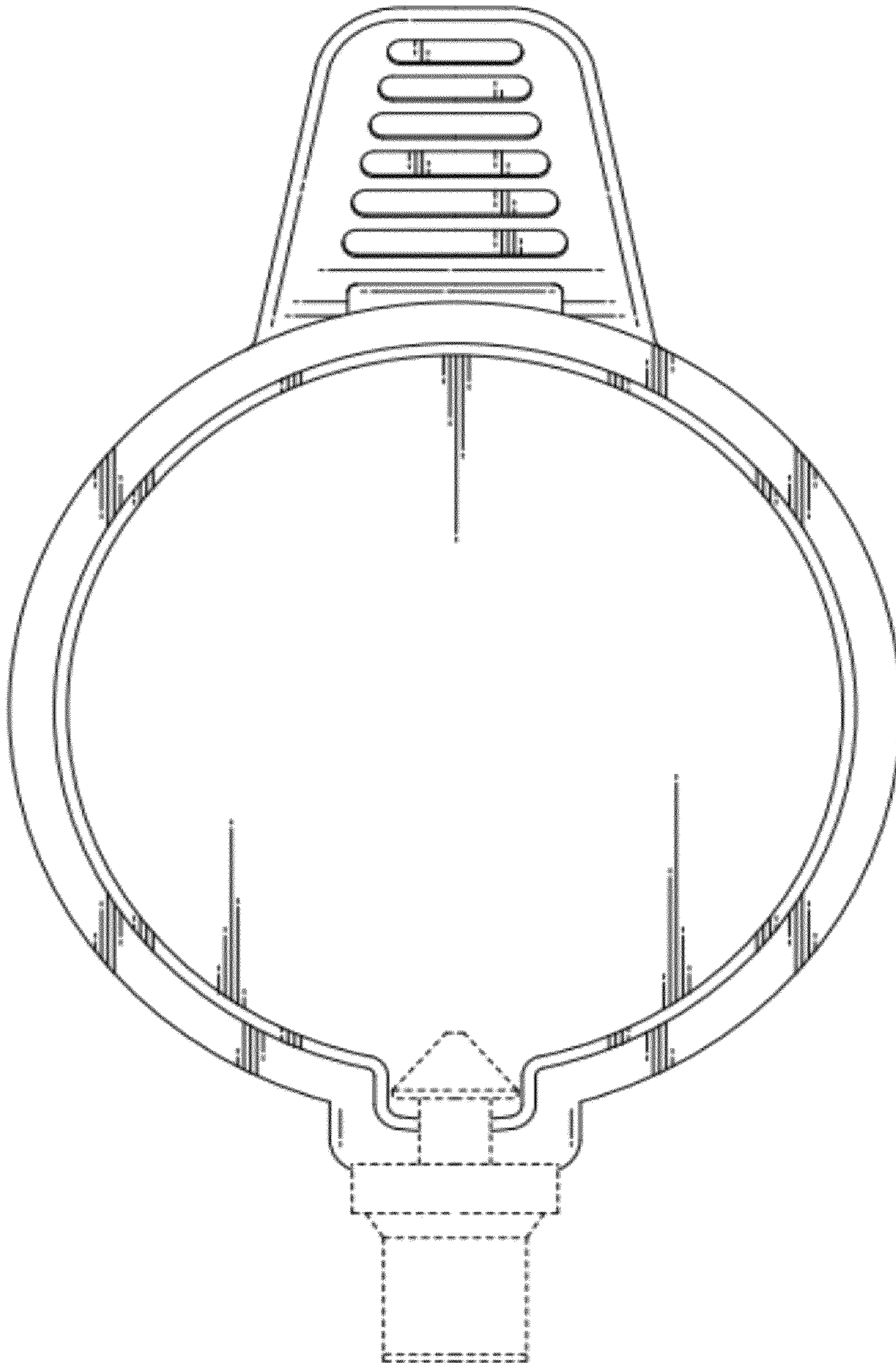


Fig. 4

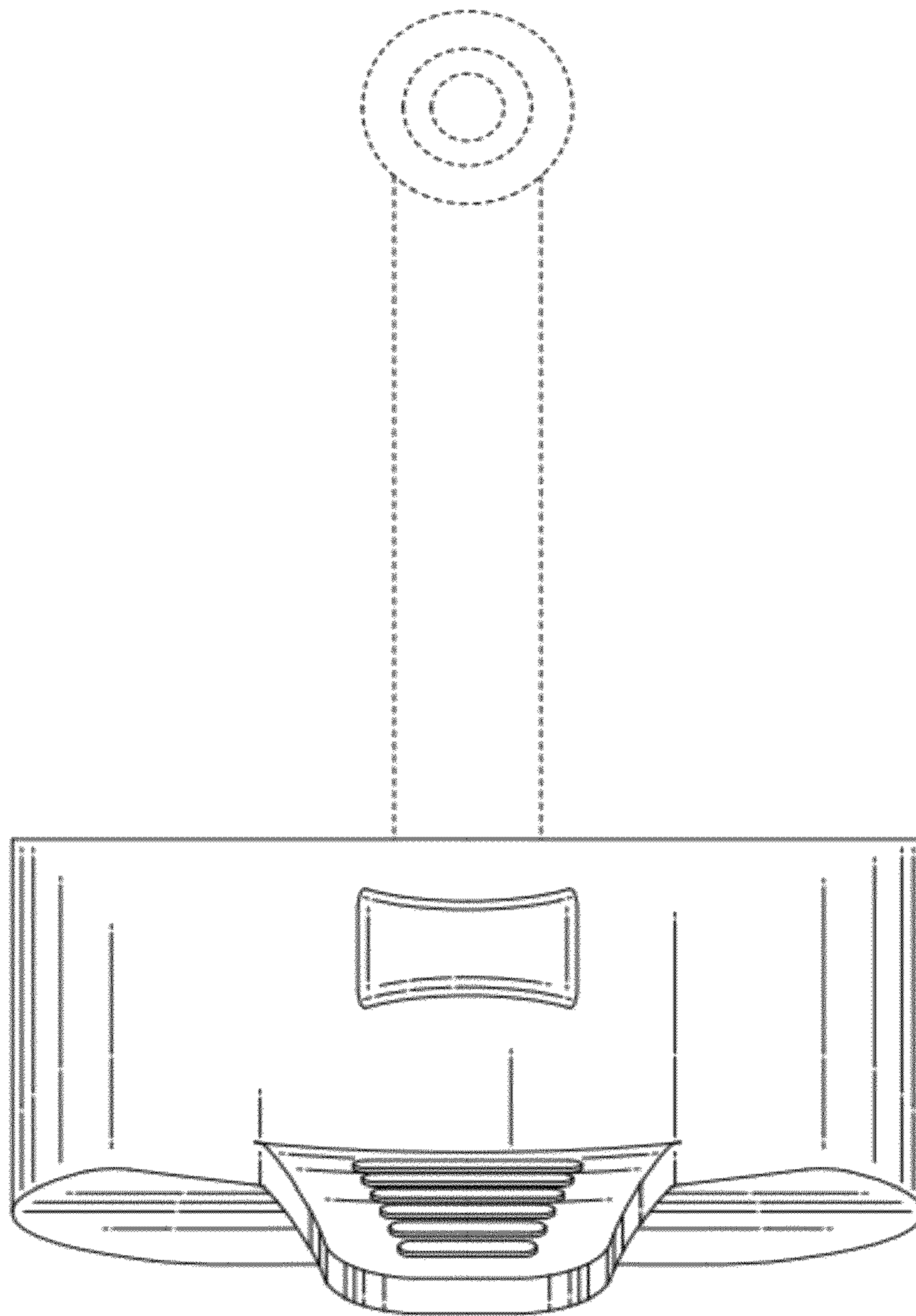


Fig. 5

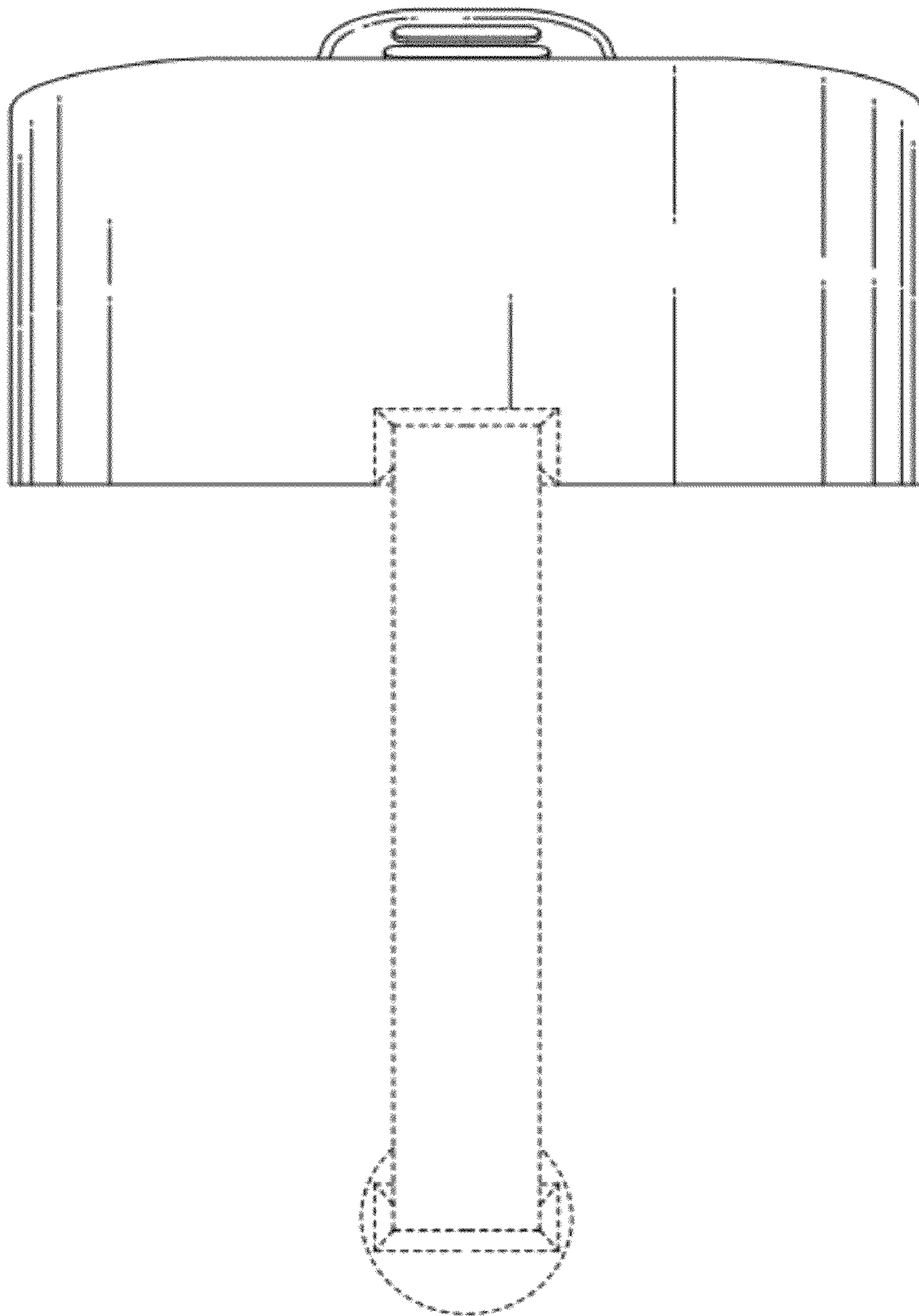


Fig. 6

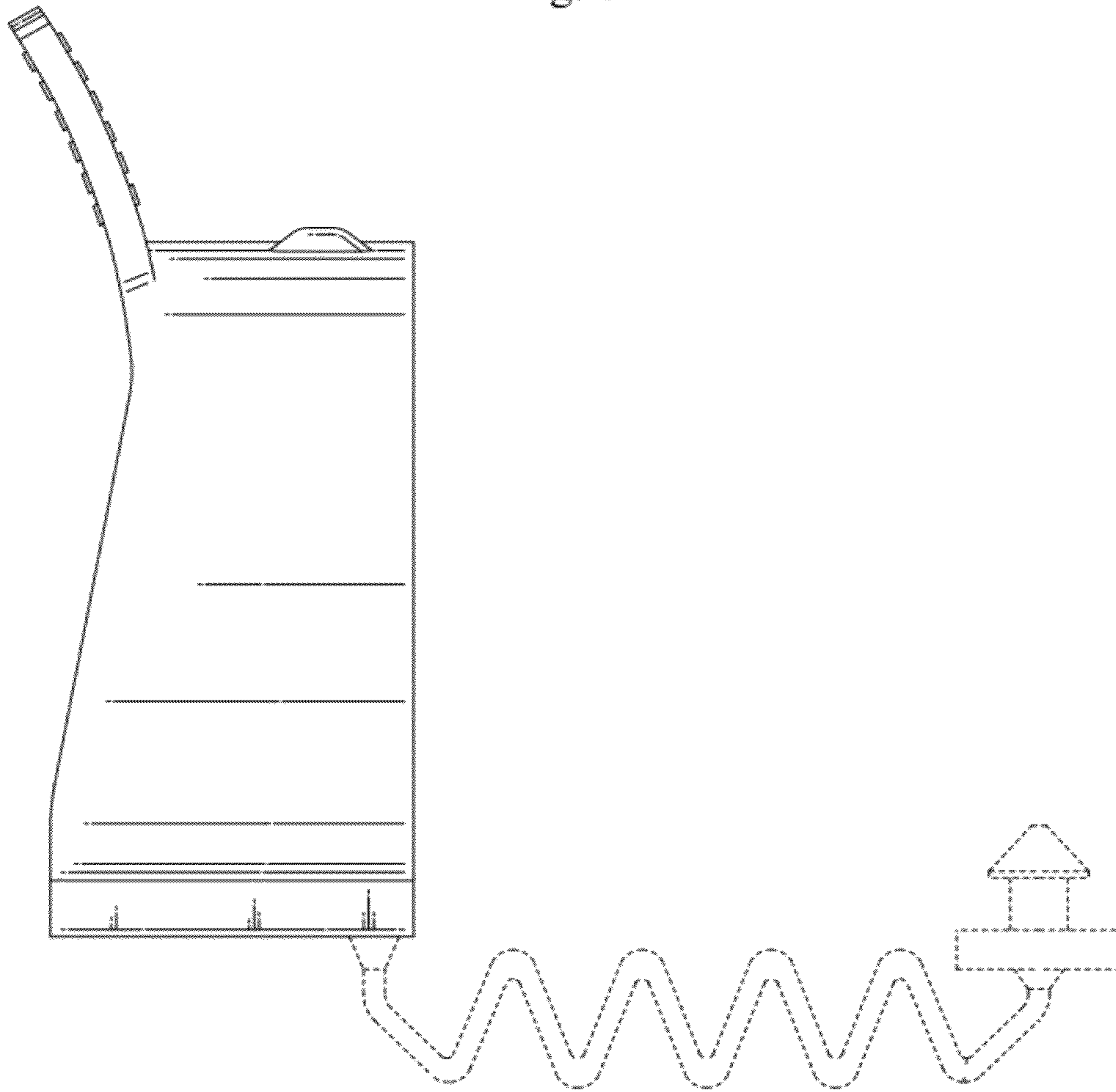


Fig. 7

