



US00D664098S

(12) **United States Design Patent**  
**Liang**

(10) **Patent No.:** **US D664,098 S**

(45) **Date of Patent:** **\*\* Jul. 24, 2012**

(54) **CABLE GUIDE**

(74) *Attorney, Agent, or Firm* — Dorsey & Whitney LLP

(75) Inventor: **Yu Fan Liang**, White Rock (CA)

(57) **CLAIM**

(73) Assignee: **Nuheat Industries Limited**, Delta, BC (CA)

I claim the ornamental design for a cable guide, substantially as shown and described.

(\*\*) Term: **14 Years**

**DESCRIPTION**

(21) Appl. No.: **29/387,995**

FIG. 1 is a top isometric view of a cable guide.

(22) Filed: **Mar. 22, 2011**

FIG. 2 is a left side elevation view of the cable guide of FIG. 1.

(51) **LOC (9) Cl.** ..... **13-03**

FIG. 3 is a right side elevation view of the cable guide of FIG. 1.

(52) **U.S. Cl.** ..... **D13/155**

FIG. 4 is an enlarged view of a portion of the left side elevation view of the cable guide of FIG. 1 as indicated in FIG. 2.

(58) **Field of Classification Search** ..... D13/155, D13/153, 154, 156, 157, 184, 199; D8/349, D8/354, 356, 394; 174/68.1, 68.2, 68.3; 248/49, 53, 60; 361/827; 385/134, 135; 439/207, 210, 445, 446, 447

FIG. 5 is an enlarged view of a portion of the right side elevation view of the cable guide of FIG. 1 as indicated in FIG. 3.

See application file for complete search history.

FIG. 6 is a front elevation view of the cable guide of FIG. 1. FIG. 7 is a back elevation view of the cable guide of FIG. 1. FIG. 8 is a top plan view of the cable guide of FIG. 1. FIG. 9 is a bottom plan view of the cable guide of FIG. 1. FIG. 10 is an enlarged isometric view of a portion of the top and back of the cable guide of FIG. 1 as indicated in FIG. 8. FIG. 11 is an enlarged isometric view of a portion of the top and front of the cable guide of FIG. 1 as indicated in FIG. 8. FIG. 12 is an enlarged isometric view of a portion of the bottom and back of the cable guide of FIG. 1 as indicated in FIG. 9; and, FIG. 13 is an enlarged isometric view of a portion of the bottom and front of the cable guide of FIG. 1 as indicated in FIG. 9.

(56) **References Cited**

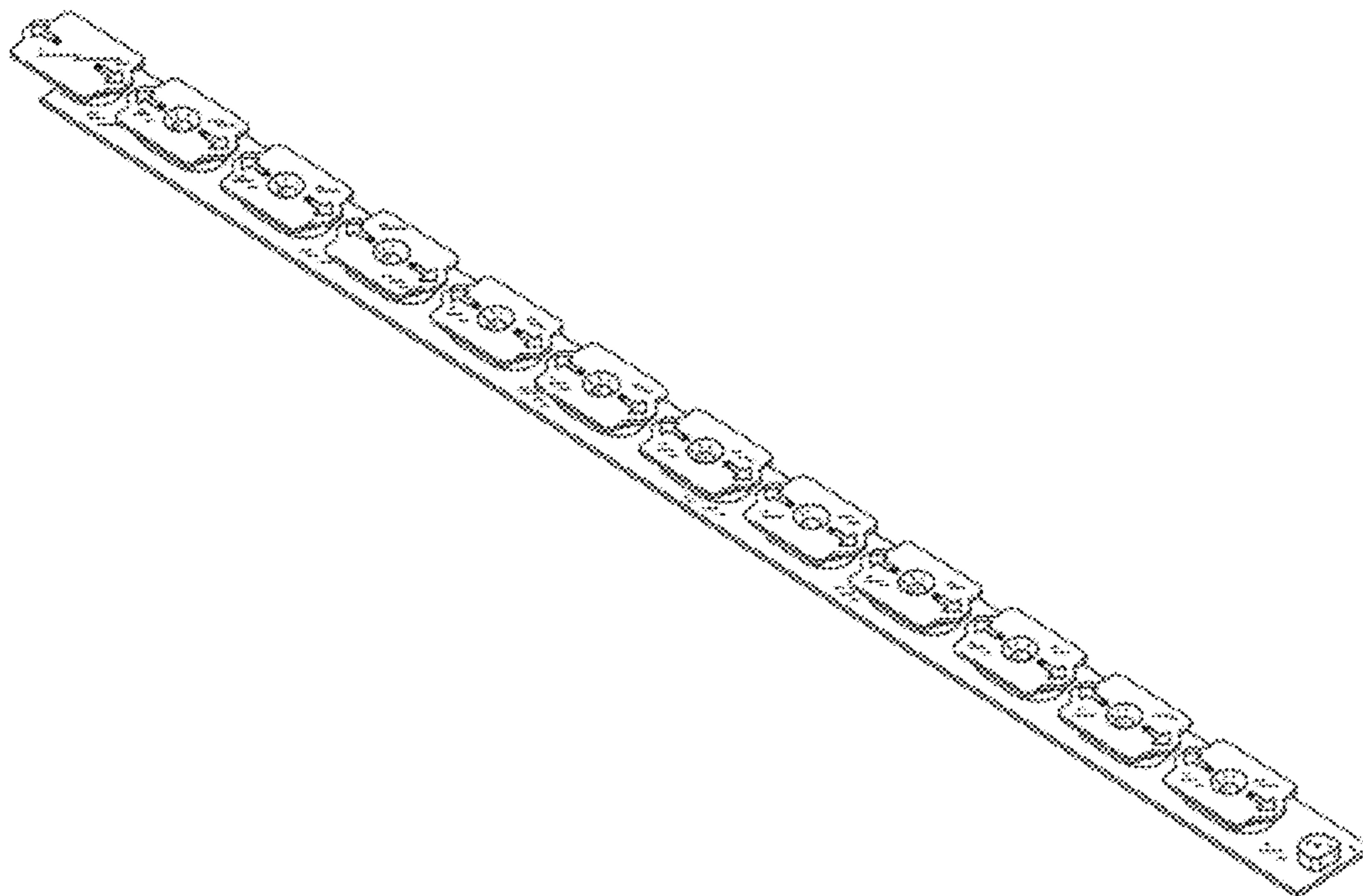
**U.S. PATENT DOCUMENTS**

5,235,136	A *	8/1993	Santucci et al.	.....	174/68.3
D468,699	S *	1/2003	Bjorklund et al.	.....	D13/155
D520,863	S *	5/2006	Schwartz et al.	.....	D8/394
D539,228	S *	3/2007	Toikka et al.	.....	D13/155
7,362,941	B2 *	4/2008	Rinderer et al.	.....	385/134
D568,254	S *	5/2008	Patchett et al.	.....	D13/155
D582,351	S *	12/2008	Gya	.....	D13/155
D597,493	S *	8/2009	Wu	.....	D13/155
D626,817	S *	11/2010	Donowho et al.	.....	D8/356

\* cited by examiner

*Primary Examiner* — Derrick Holland

**1 Claim, 7 Drawing Sheets**



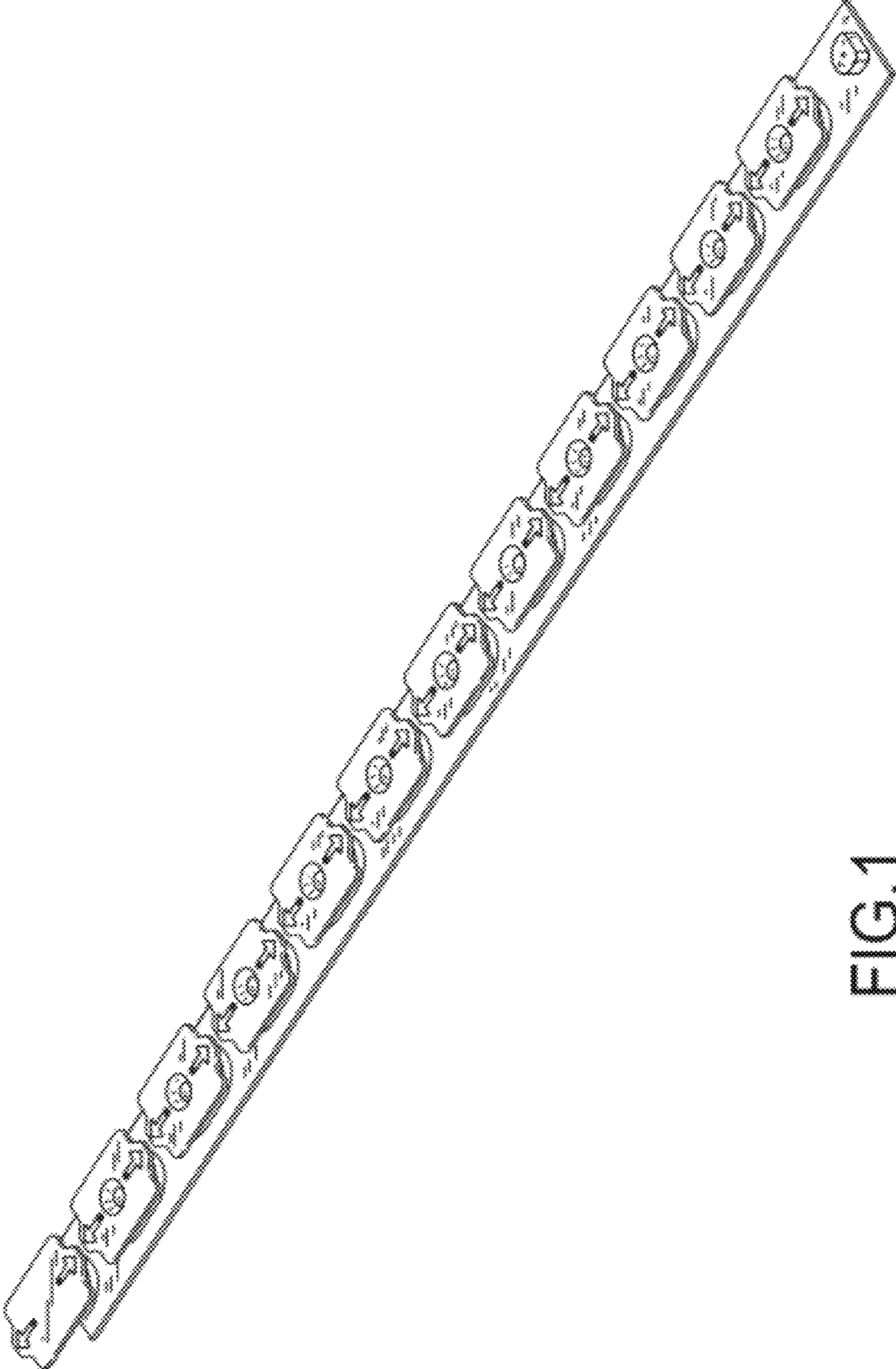


FIG.1

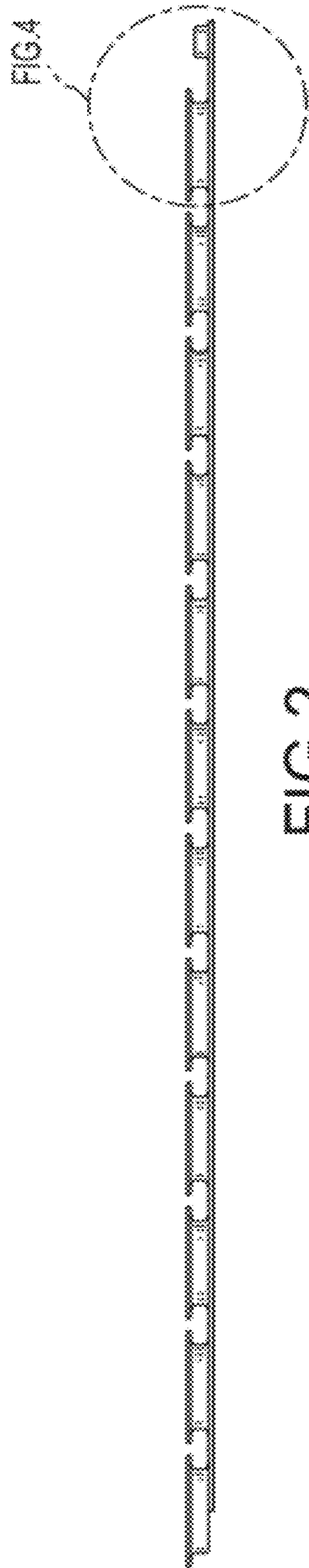


FIG. 2

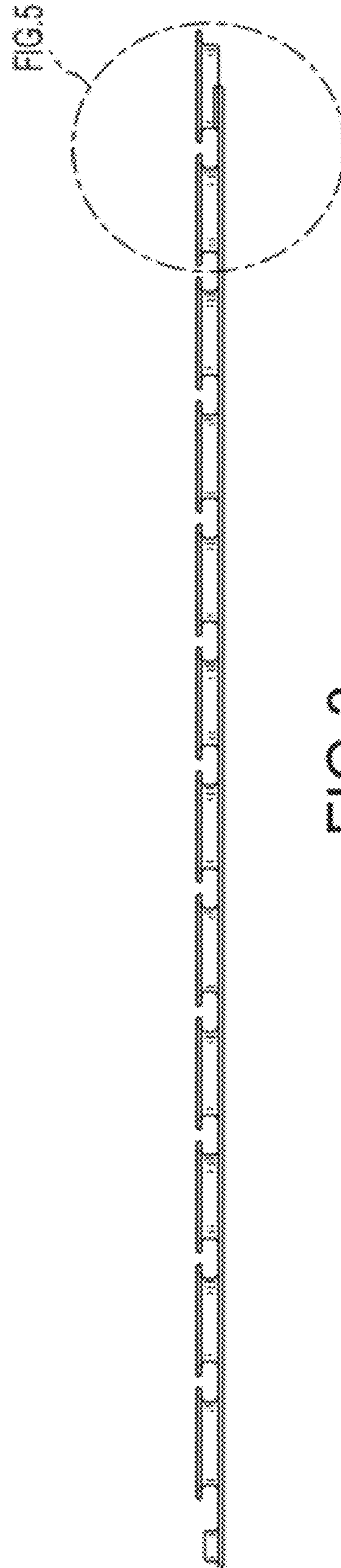


FIG. 3

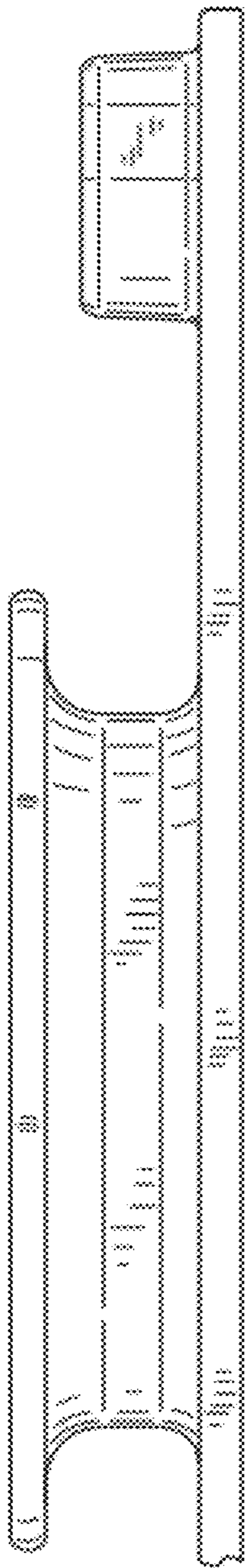


FIG. 4

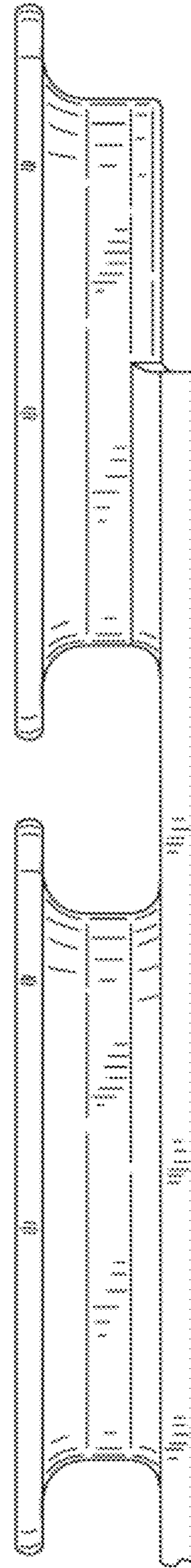


FIG. 5

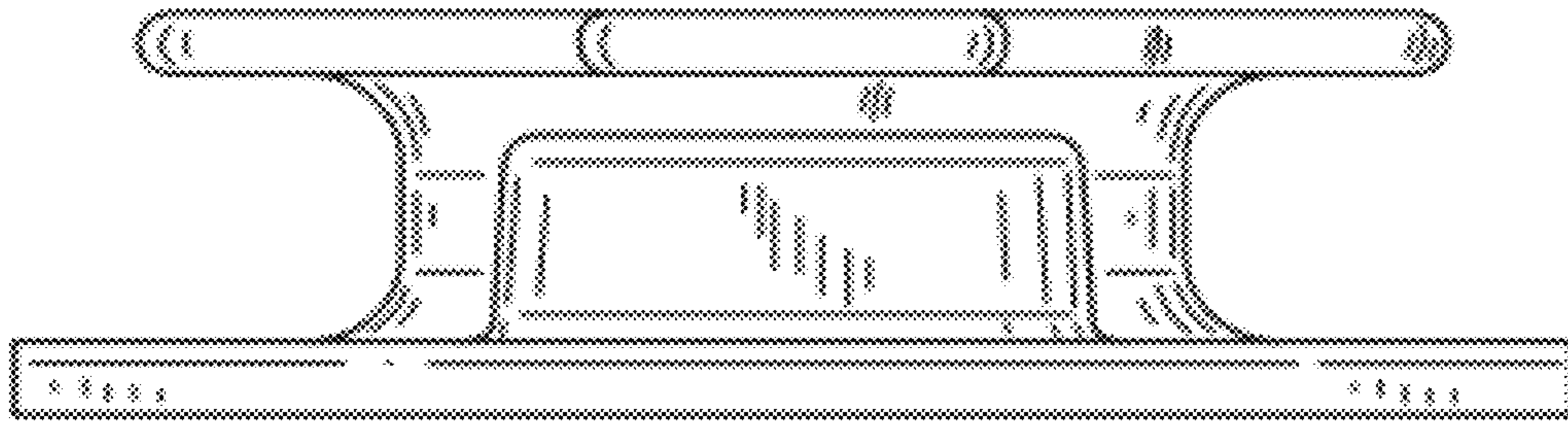


FIG. 6

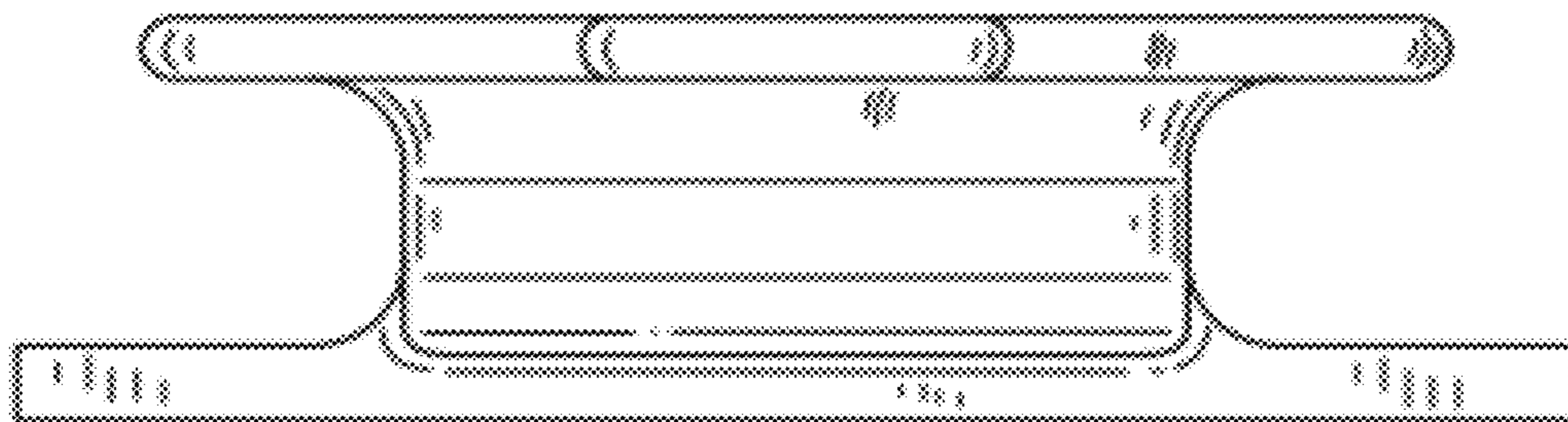


FIG. 7

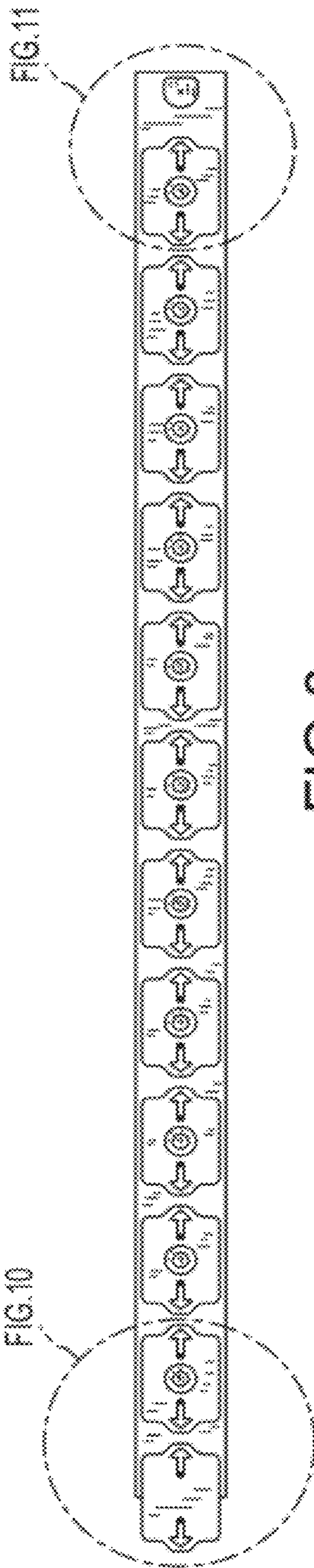


FIG. 8

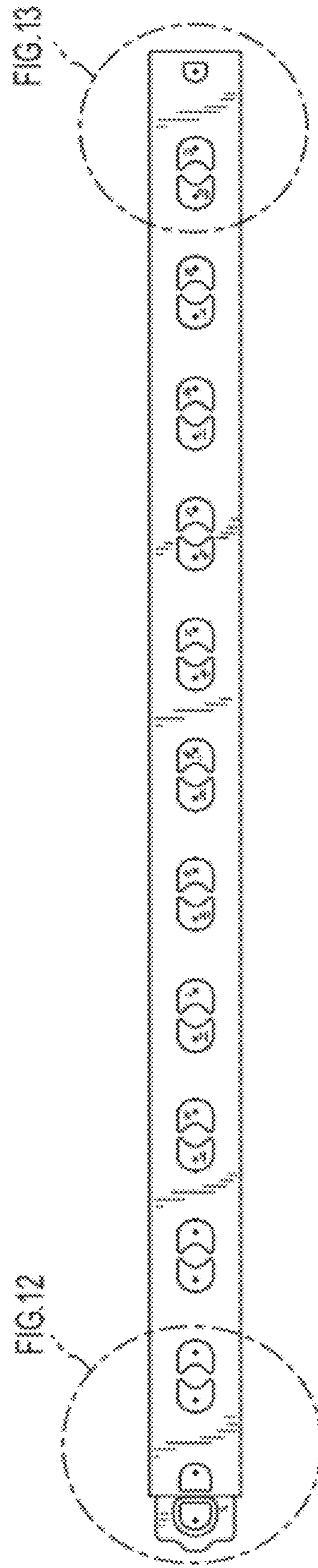


FIG. 9

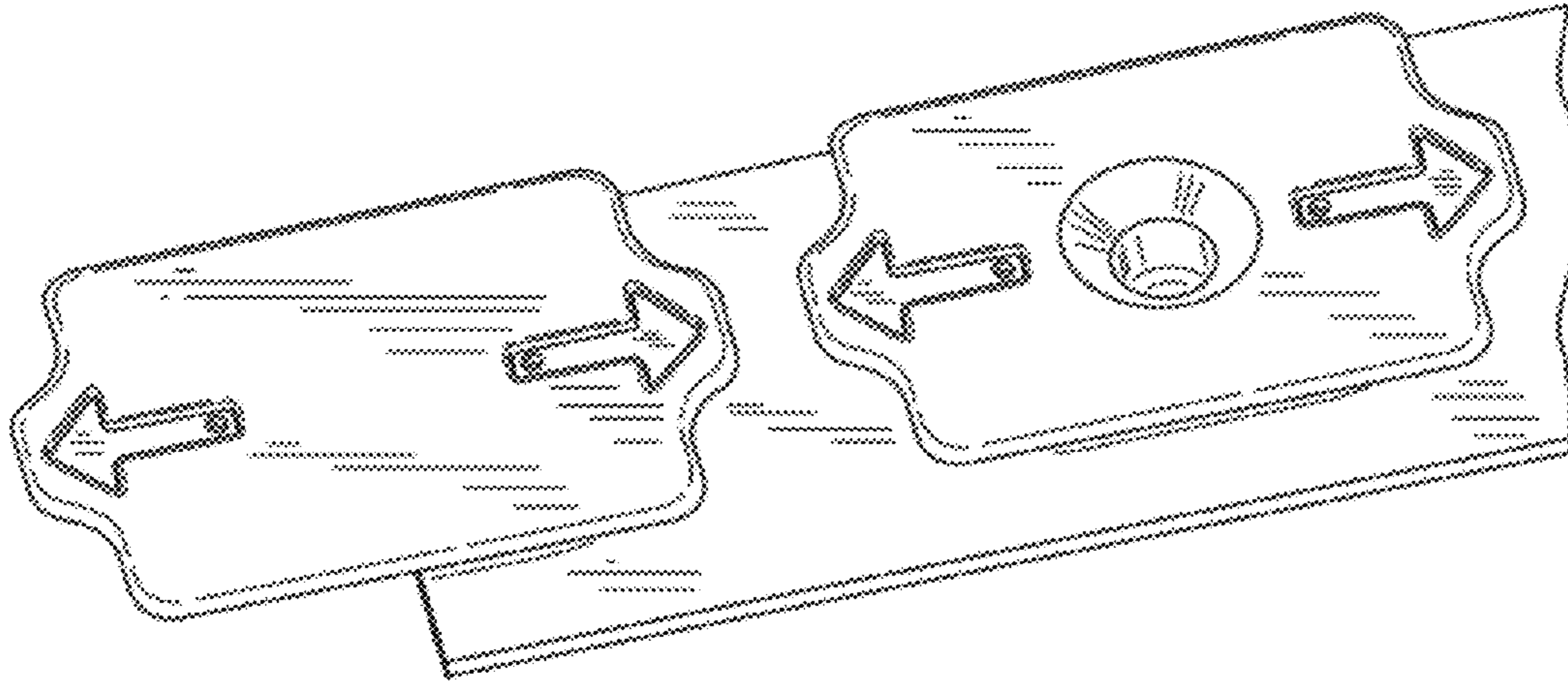


FIG. 10

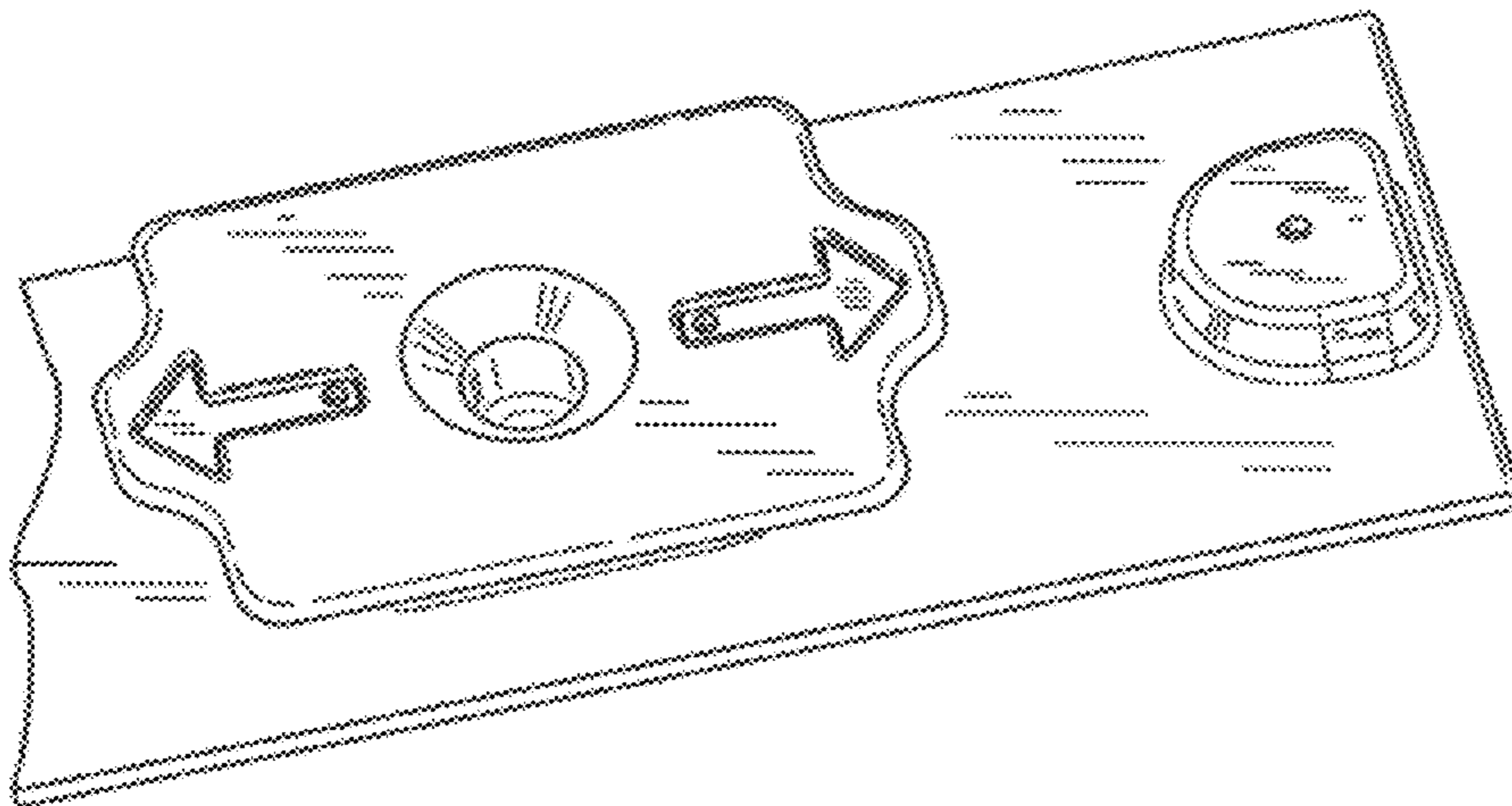


FIG. 11

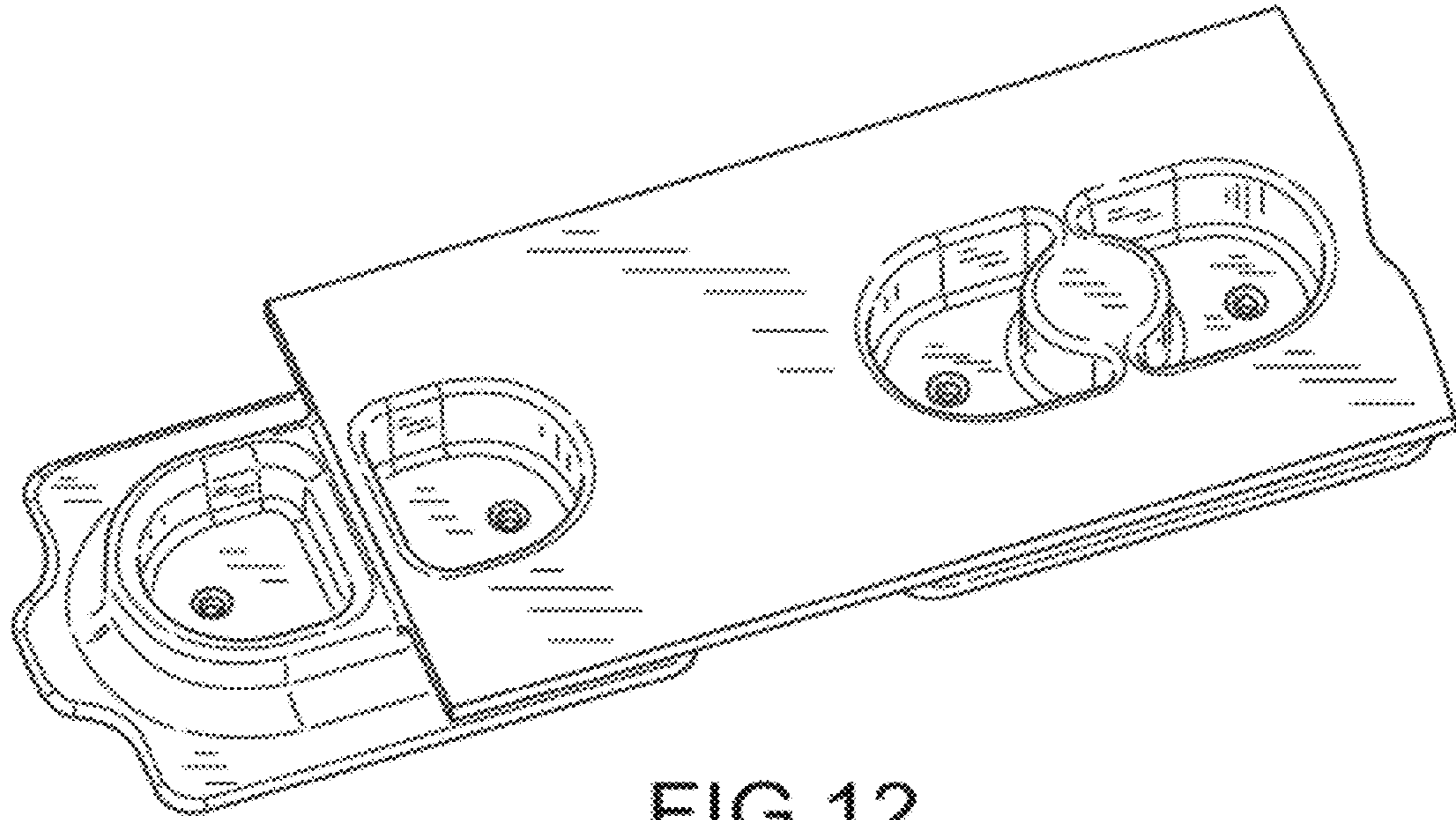


FIG. 12

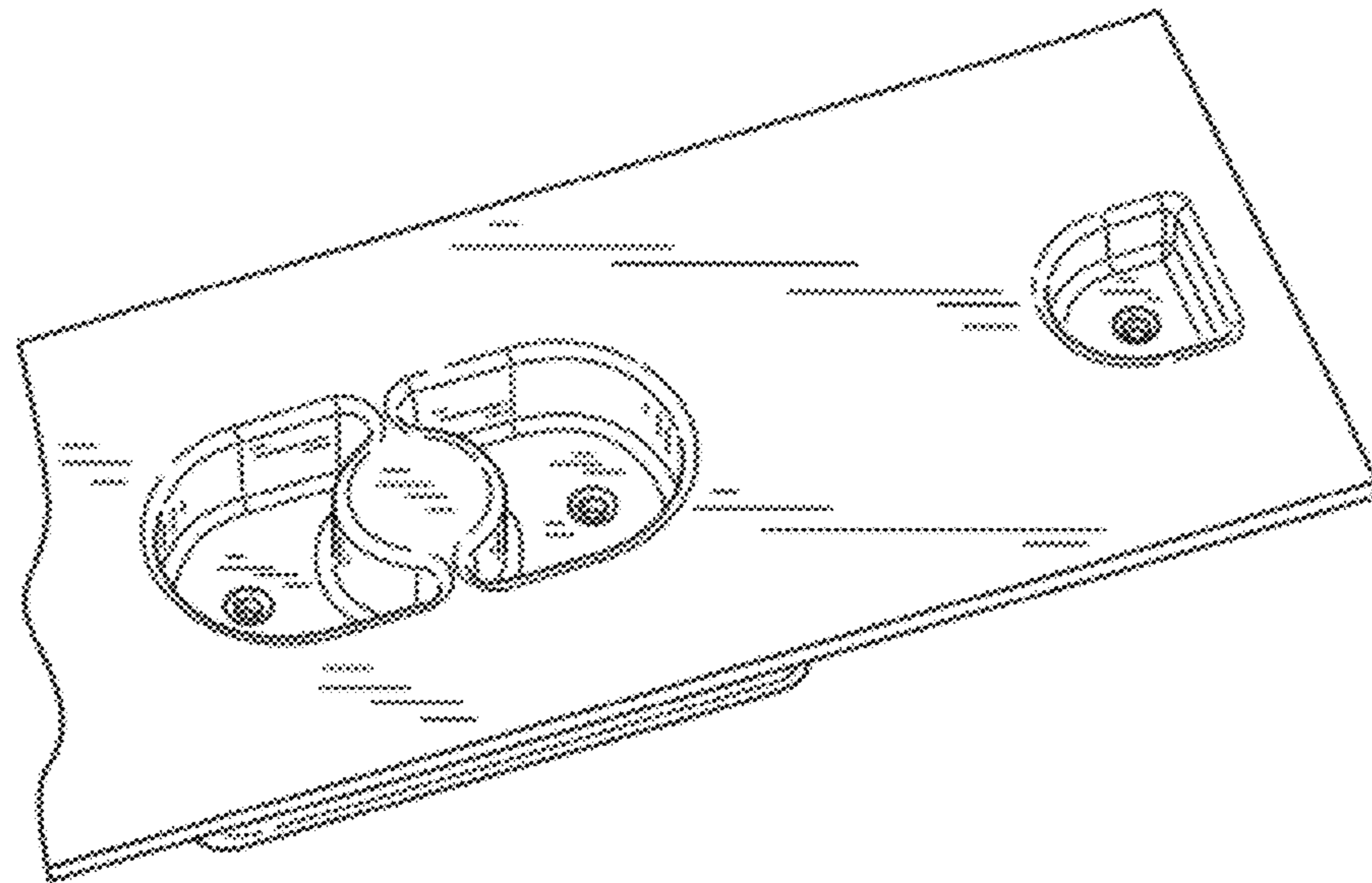


FIG. 13