

US00D664097S

(12) **United States Design Patent**  
**Ting et al.**

(10) **Patent No.:** **US D664,097 S**  
(45) **Date of Patent:** **\*\* Jul. 24, 2012**

(54) **BRIDGE DEVICE OF COAX CABLES**

(75) Inventors: **Yun-Yi Ting**, Hsinchu (TW); **Bau-Yi Huang**, Hsinchu (TW); **Jin-Jong Lin**, Hsinchu (TW); **Ying-Jhang Chen**, Hsinchu (TW); **Tsung-Hau Shiu**, Hsinchu (TW); **Yi-Chin Huang**, Hsinchu (TW); **Chiung-Wen Hsin**, Hsinchu (TW); **Chia-Ku Yen**, Hsinchu (TW)

(73) Assignee: **Wistron NeWeb Corporation**, Hsinchu Science Park, Hsinchu (TW)

(\*\*) Term: **14 Years**

(21) Appl. No.: **29/391,294**

(22) Filed: **May 5, 2011**

(30) **Foreign Application Priority Data**

Mar. 15, 2011 (TW) ..... 100301215

(51) **LOC (9) Cl.** ..... **13-03**

(52) **U.S. Cl.** ..... **D13/151**

(58) **Field of Classification Search** ..... D13/133, D13/146, 147, 151, 154, 158, 184, 199; D14/125, D14/217, 230, 239, 299; 174/59; 333/100, 333/101, 206; 439/63, 579, 578, 581, 709  
See application file for complete search history.

(56) **References Cited**

**U.S. PATENT DOCUMENTS**

D404,713 S \* 1/1999 Hsiang ..... D13/147  
D409,985 S \* 5/1999 Hsiang ..... D13/151

D443,859 S \* 6/2001 Hogan ..... D13/133  
D452,681 S \* 1/2002 Inoue ..... D13/151  
D465,205 S \* 11/2002 Orpilla et al. .... D13/154  
D521,939 S \* 5/2006 Mahoney ..... D13/151  
D623,598 S \* 9/2010 Kondo ..... D13/151  
2010/0044198 A1\* 2/2010 Tang et al. .... 200/302.2

**FOREIGN PATENT DOCUMENTS**

TW 553560 9/2003  
TW 570424 1/2004  
TW 584476 4/2004

\* cited by examiner

*Primary Examiner* — Thomas Johannes

(74) *Attorney, Agent, or Firm* — Winston Hsu; Scott Margo

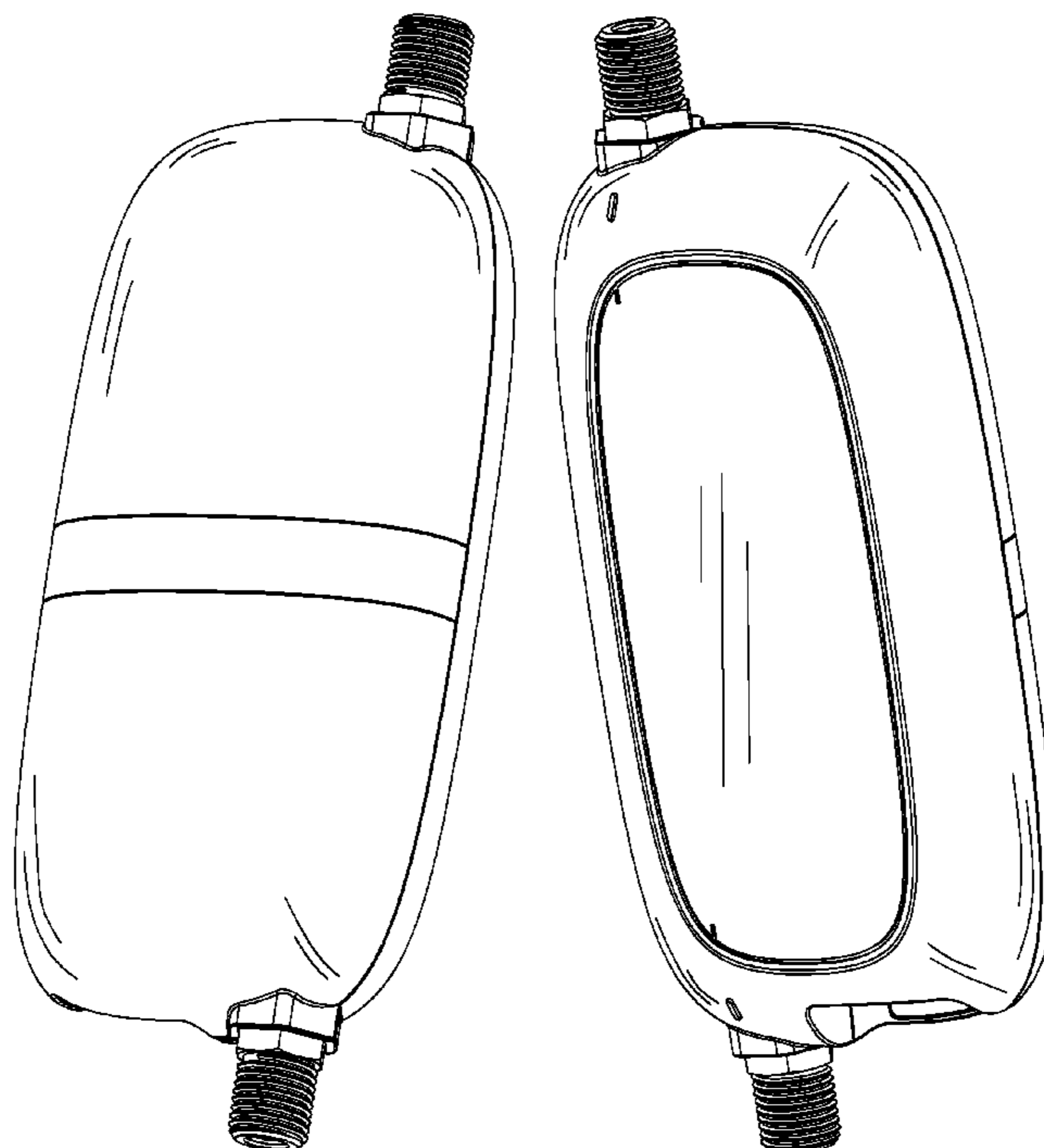
(57) **CLAIM**

The ornamental design for a bridge device of coax cables, as shown and described.

**DESCRIPTION**

FIG. 1 is a front view of a bridge device of coax cables showing our new design;  
FIG. 2 is a rear view thereof;  
FIG. 3 is a left side elevational view thereof;  
FIG. 4 is a right side elevational view thereof;  
FIG. 5 is a top plan view thereof;  
FIG. 6 is a bottom plan view thereof;  
FIG. 7 is a front perspective view thereof; and,  
FIG. 8 is a rear perspective view thereof.  
The broken line portion of the figure drawings is included to show unclaimed subject matter only and forms no part of the claimed design.

**1 Claim, 8 Drawing Sheets**



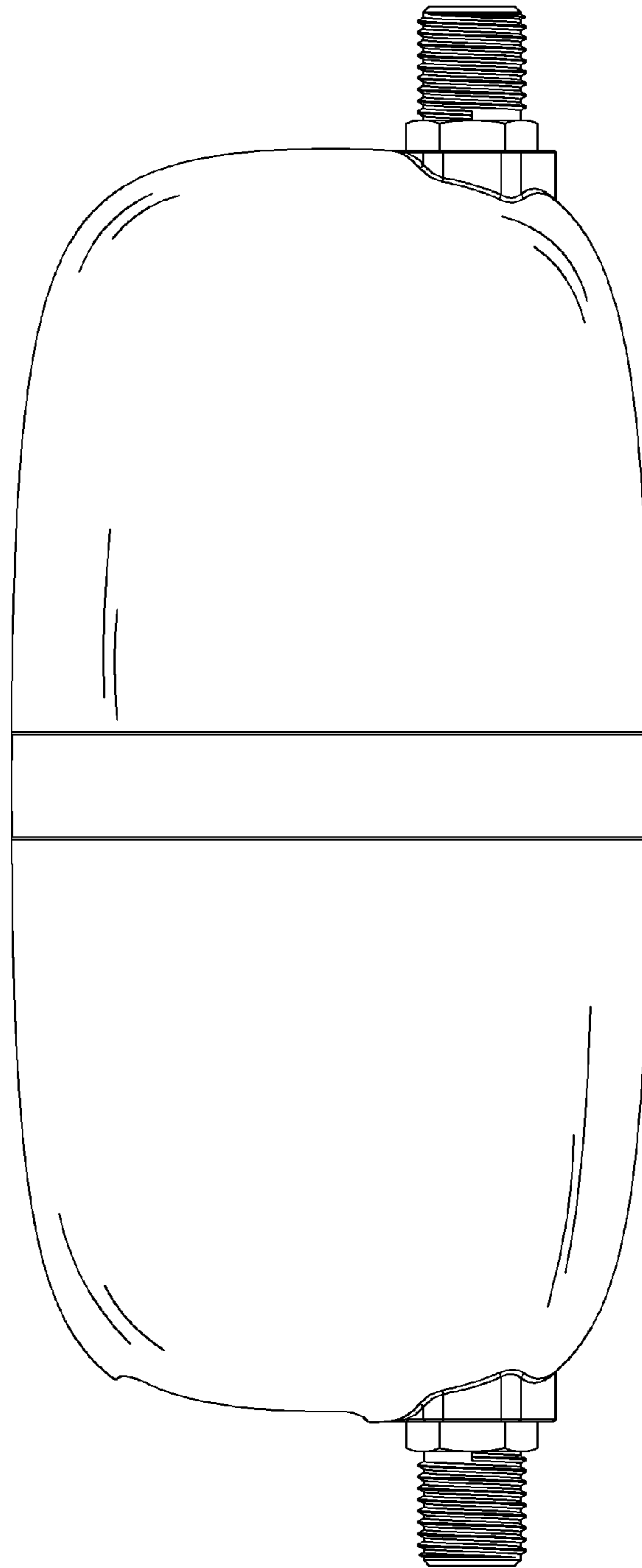


FIG. 1



FIG. 2

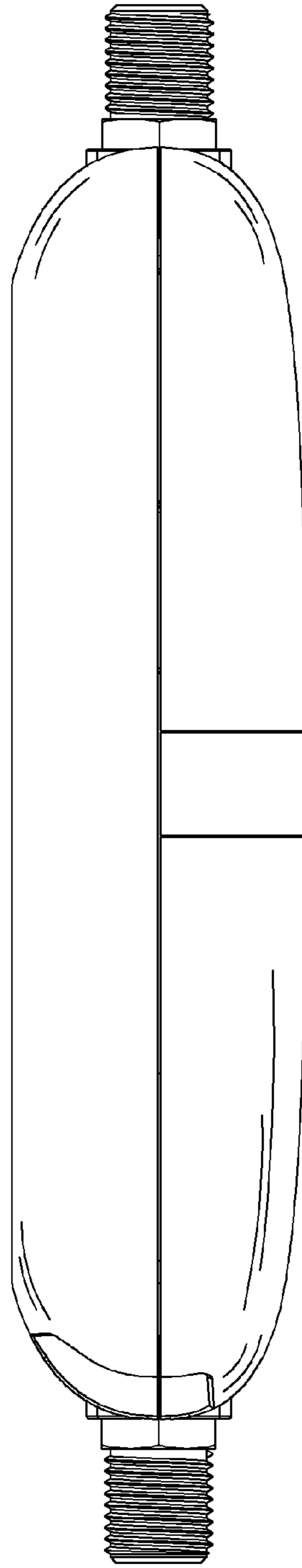


FIG. 3

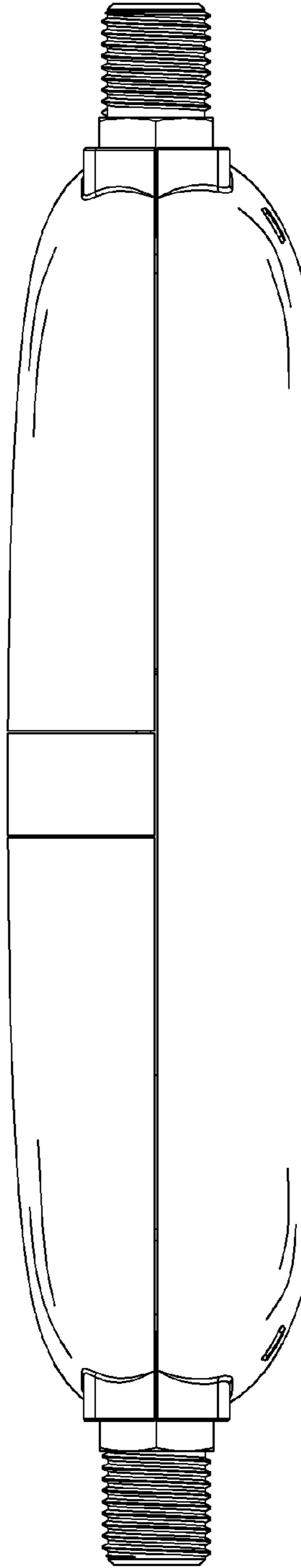


FIG. 4

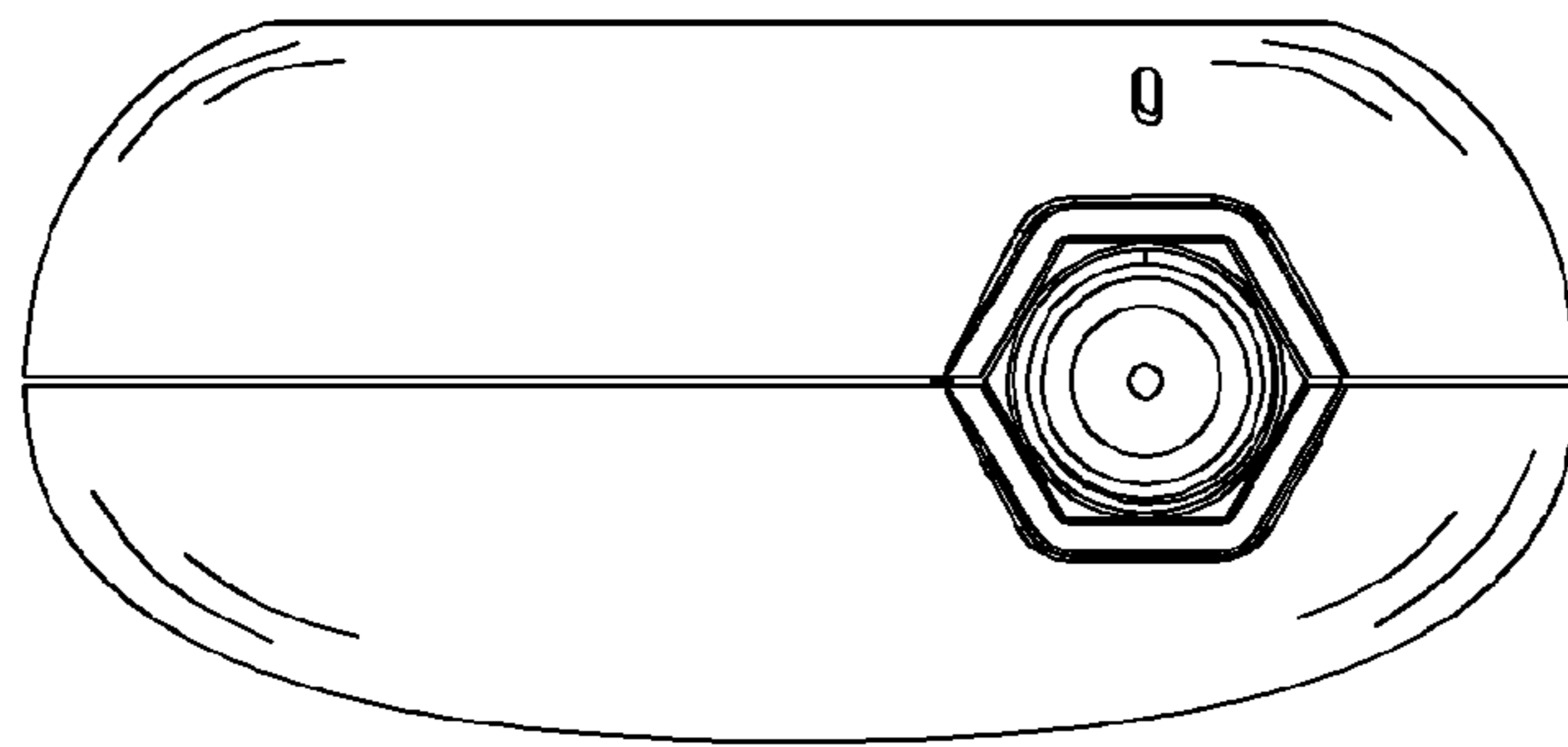


FIG. 5

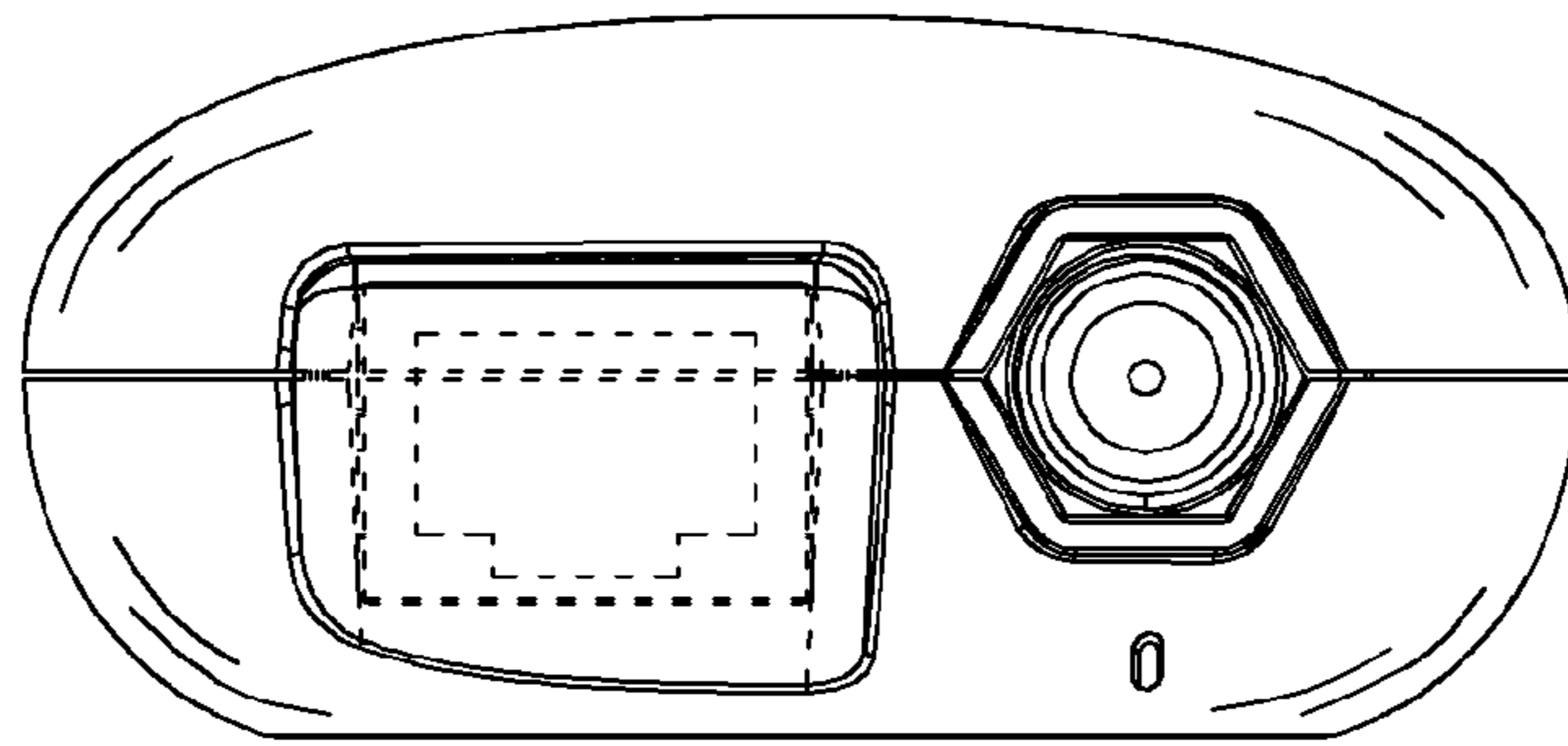


FIG. 6

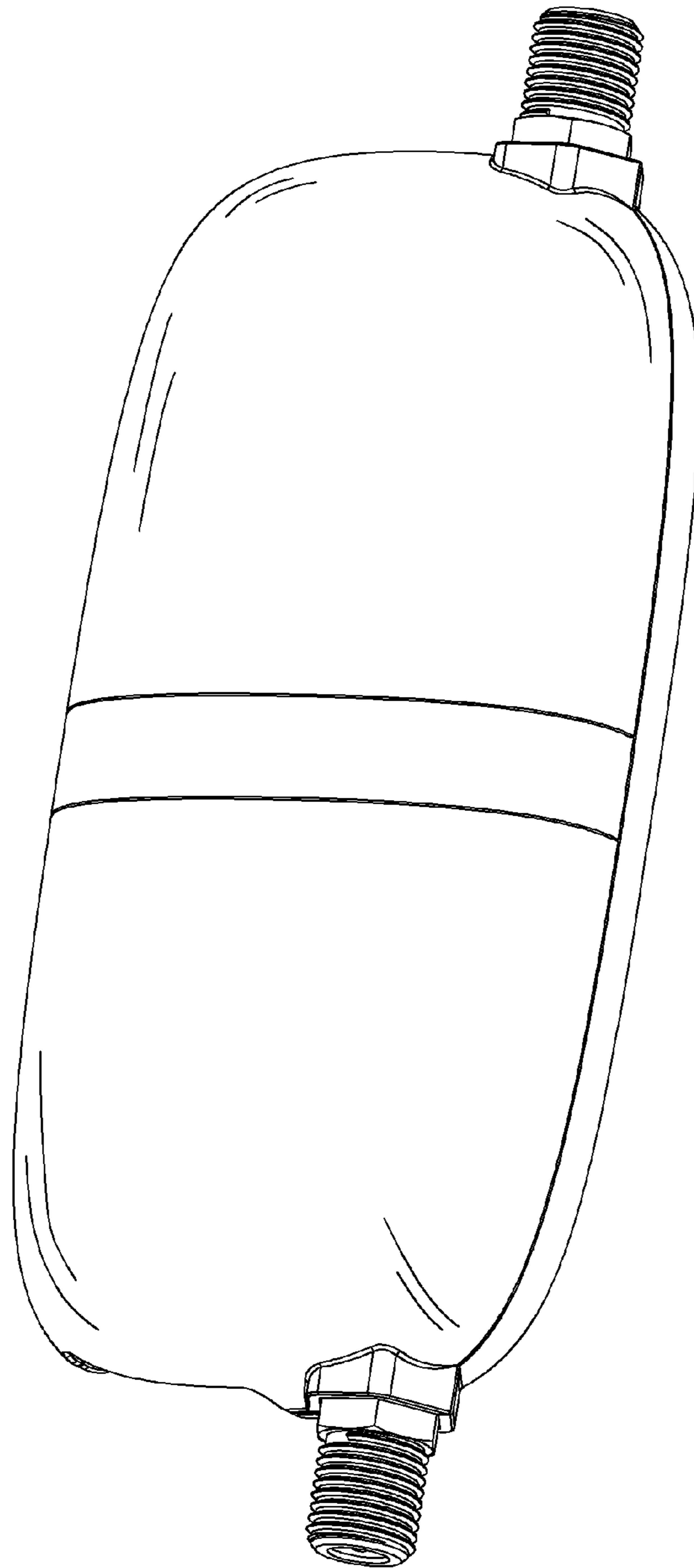


FIG. 7





FIG. 8