

US00D664095S

(12) **United States Design Patent**
Benedict et al.

(10) **Patent No.:** **US D664,095 S**
(45) **Date of Patent:** **** Jul. 24, 2012**

(54) **30 AMP MINI REPLACEMENT PLUG**

(75) Inventors: **Dominic W. Benedict**, Jamestown, NC (US); **Jeffrey R. Russell**, Winston-Salem, NC (US)

(73) Assignee: **Camco Manufacturing, Inc.**, Greensboro, NC (US)

(**) Term: **14 Years**

(21) Appl. No.: **29/395,348**

(22) Filed: **Jan. 6, 2012**

(51) **LOC (9) Cl.** **13-03**

(52) **U.S. Cl.** **D13/138.2**

(58) **Field of Classification Search** D13/137.1, D13/137.2, 137.3, 137.4, 138.1, 138.2, 139.1, D13/139.2, 139.3, 139.4, 139.5, 139.6, 139.7, D13/139.8, 101, 110, 123, 107, 108, 133, D13/154, 184, 199; 439/131, 166, 628, 101, 439/102, 105, 106, 108, 172, 173, 174, 175, 439/177, 476.1, 578, 583, 620.15, 620.17; 363/15, 146, 34; 307/151; 320/111, 114; 174/493, 494, 66, 67

See application file for complete search history.

(56) **References Cited**

U.S. PATENT DOCUMENTS

D375,291 S *	11/1996	Cheung	D13/138.2
D379,964 S *	6/1997	Maddock et al.	D13/138.1
D430,848 S	9/2000	Davi et al.		
7,179,105 B1	2/2007	Hung		
D549,651 S	8/2007	Mancari et al.		
D586,296 S *	2/2009	Liu	D13/138.2
D592,139 S *	5/2009	Wu	D13/138.2
D592,141 S *	5/2009	Mancari et al.	D13/139.1

D594,417 S *	6/2009	Ho'o et al.	D13/138.1
D602,434 S *	10/2009	Mancari et al.	D13/139.1
D635,515 S *	4/2011	Atwell et al.	D13/138.2
D638,359 S *	5/2011	Atwell et al.	D13/138.2
D651,175 S *	12/2011	Liang-Hsu et al.	D13/139.1
D652,800 S *	1/2012	Liang-Hsu et al.	D13/138.2

OTHER PUBLICATIONS

Ref. No. 1, 30 Amp Replacement Plug, from MarinCo website (www.marinco.com), Jan. 6, 2012, 1 Page.

* cited by examiner

Primary Examiner — Angela J Lee

(57) **CLAIM**

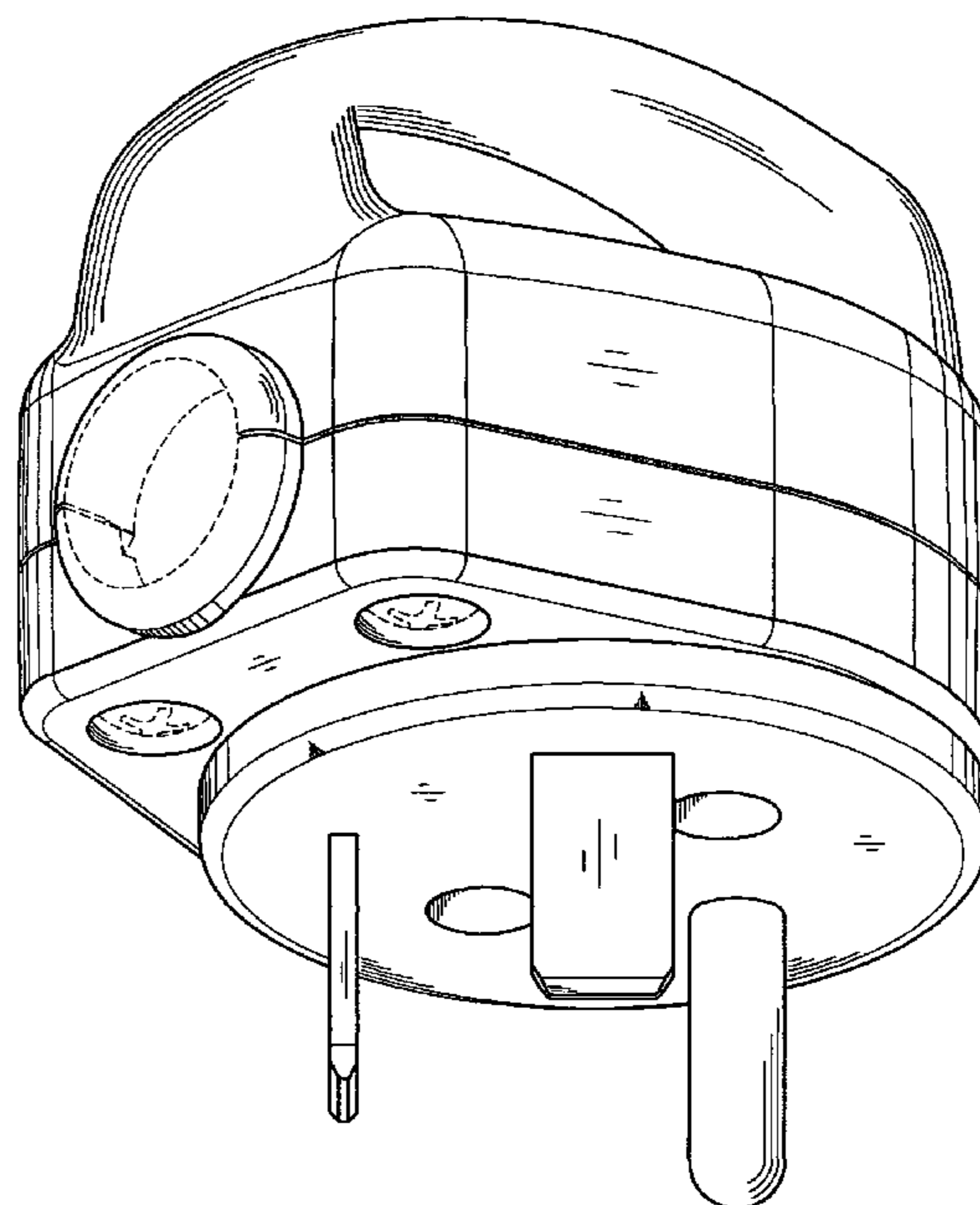
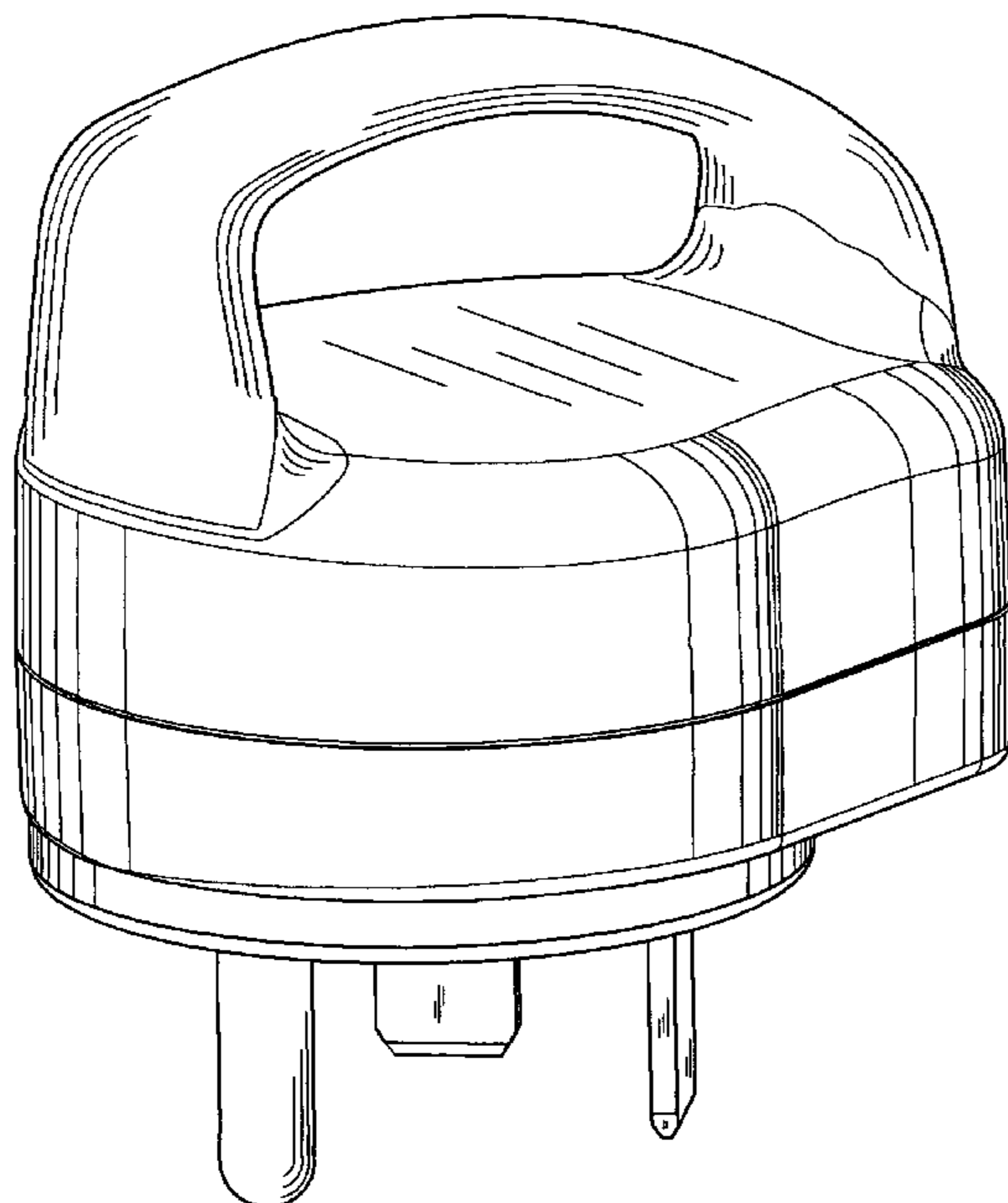
The ornamental design for a 30 amp mini replacement plug, as shown and described.

DESCRIPTION

FIG. 1 is a front, top right perspective view of a 30 amp mini replacement plug according to the invention;
 FIG. 2 is a back, bottom left perspective view of a 30 amp mini replacement plug according to the invention;
 FIG. 3 is a front elevational view of FIG. 2 according to the invention;
 FIG. 4 is a rear elevational view of FIG. 2 according to the invention;
 FIG. 5 is a top plan view of FIG. 2 according to the invention;
 FIG. 6 is a bottom plan view of FIG. 2 according to the invention; and,
 FIG. 7 is a right elevational view of FIG. 2 according to the invention with the left elevational view being a mirror image thereof.

The broken lines shown in the drawings represent portions of the 30 amp mini replacement plug that form no part of the claimed design.

1 Claim, 7 Drawing Sheets



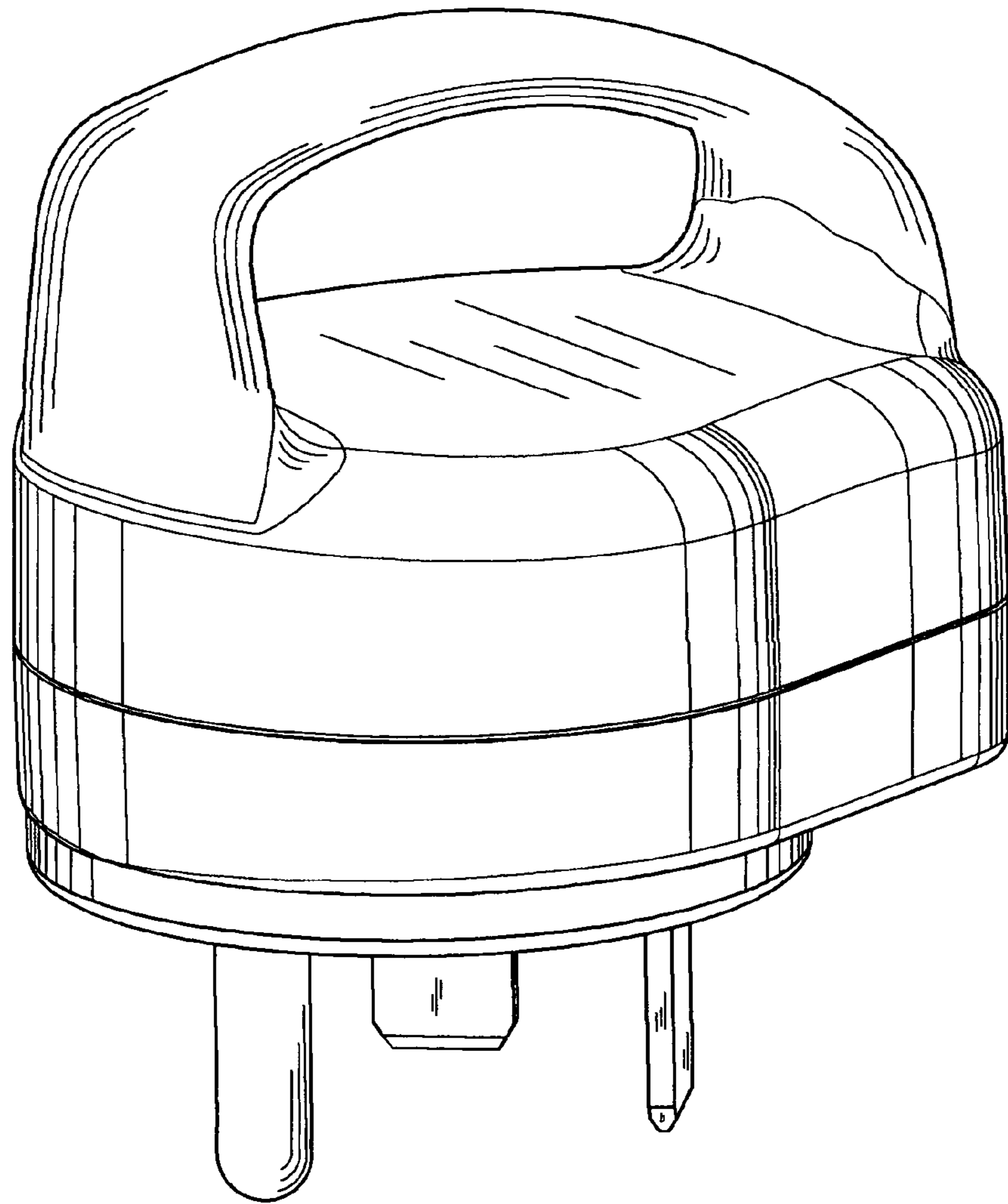


Fig. 1

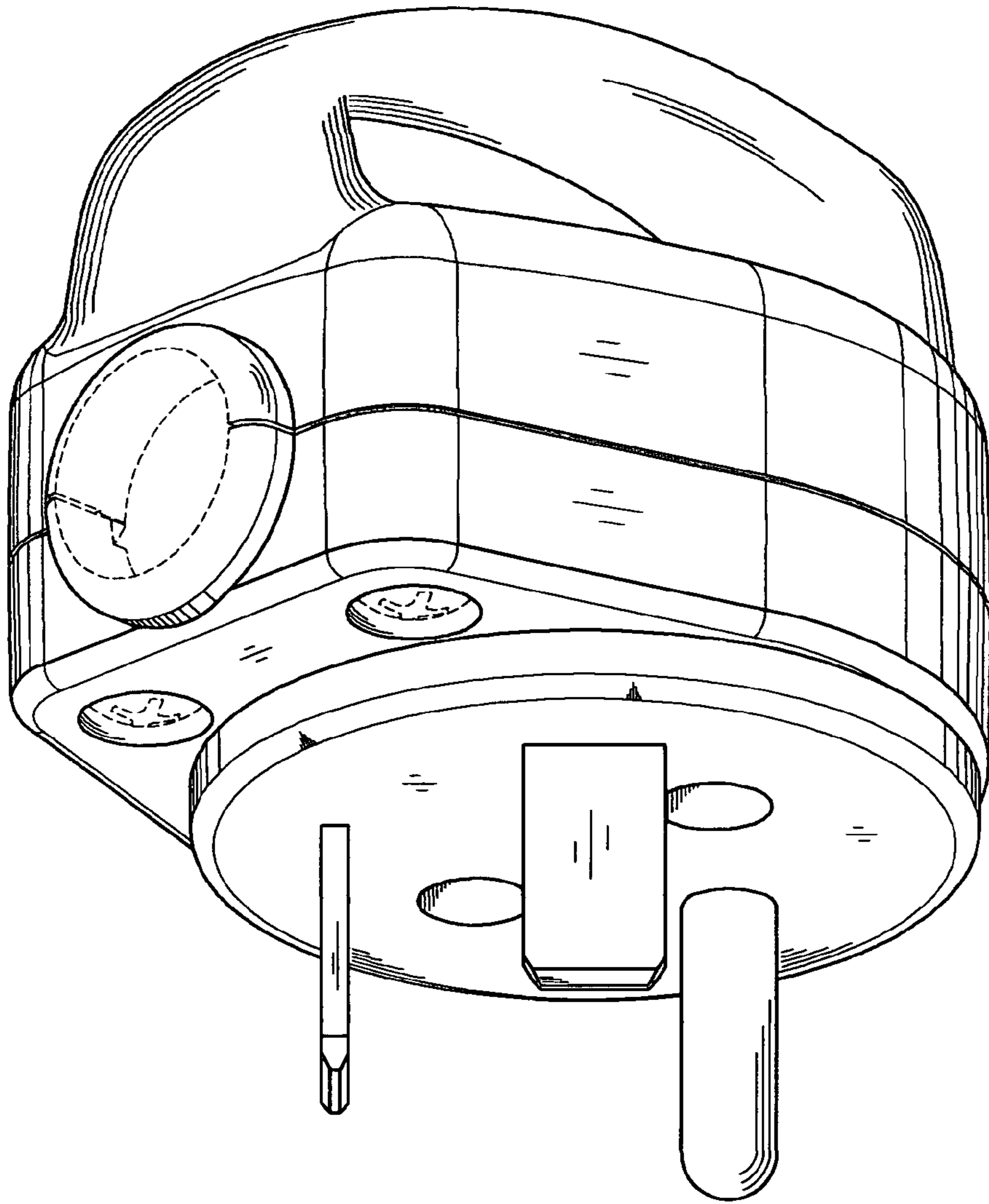


Fig. 2

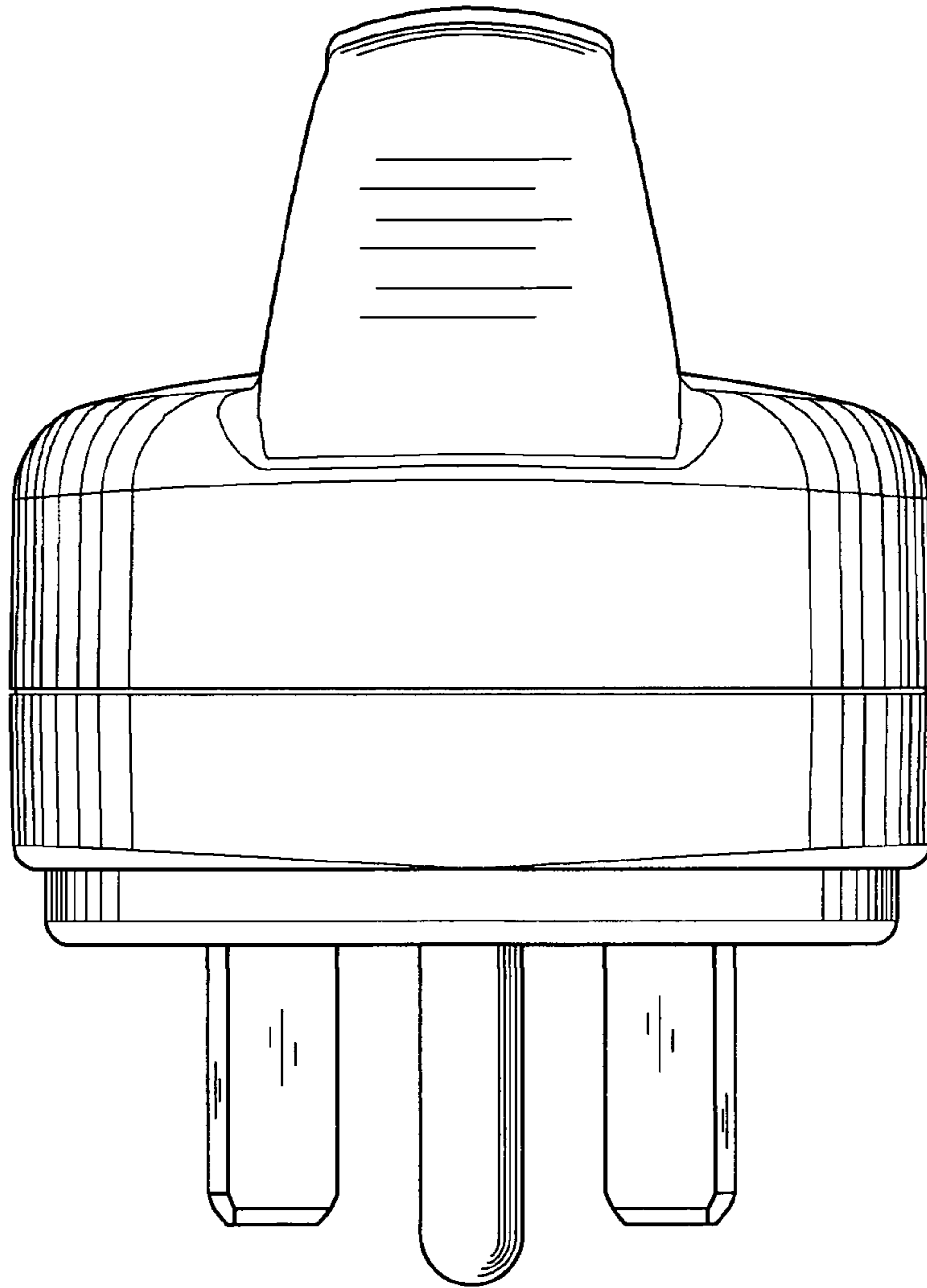


Fig. 3

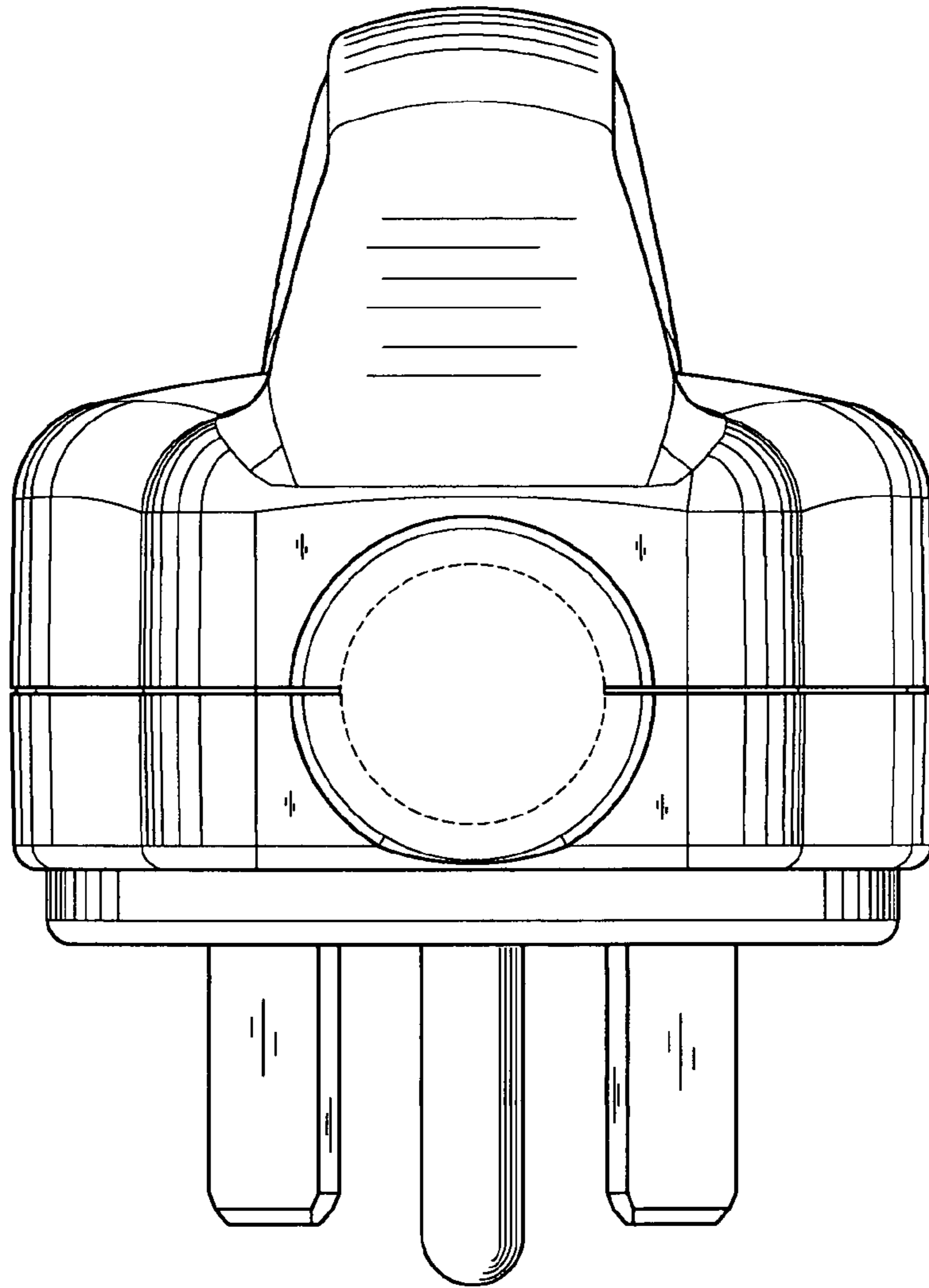


Fig. 4

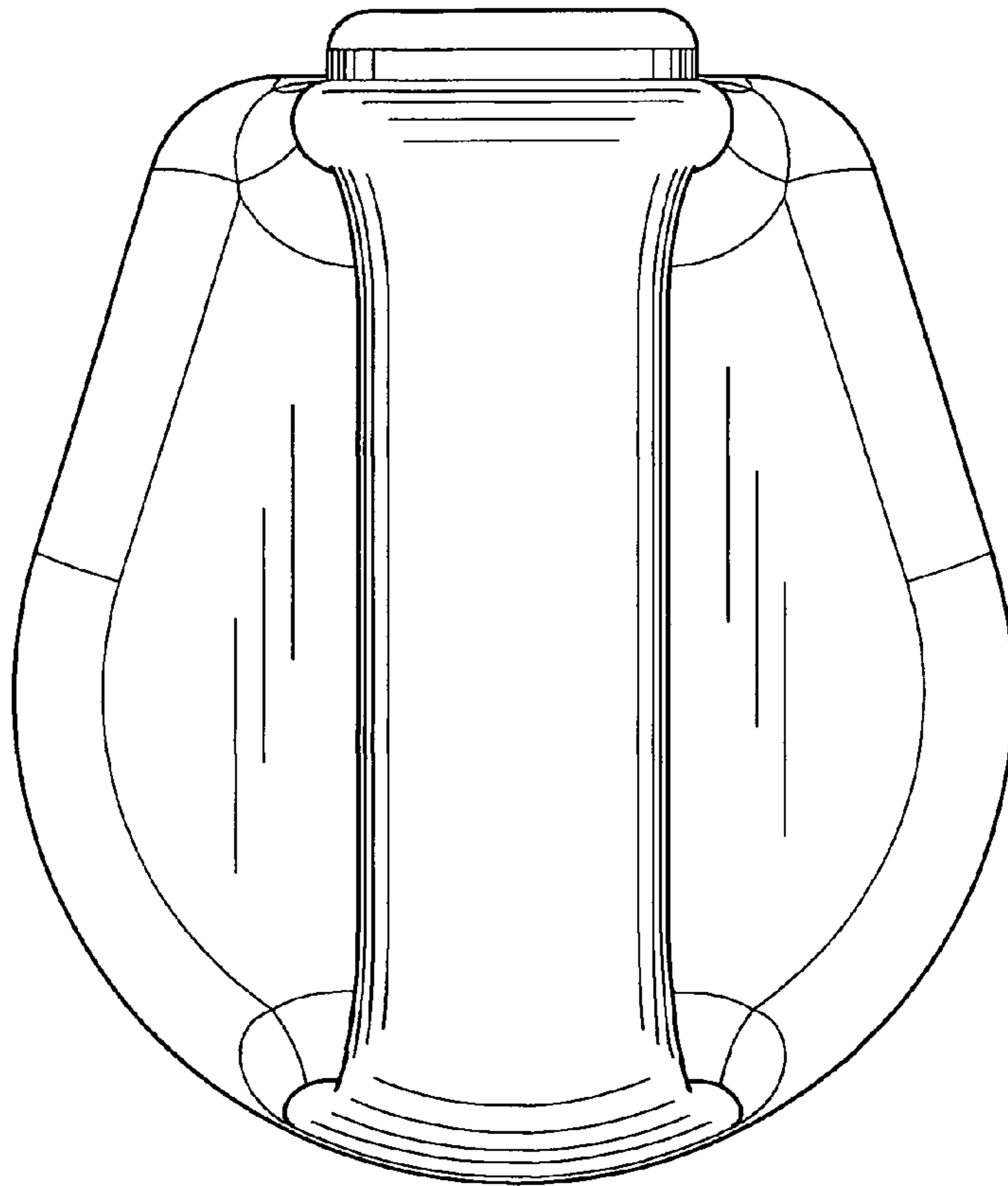


Fig. 5

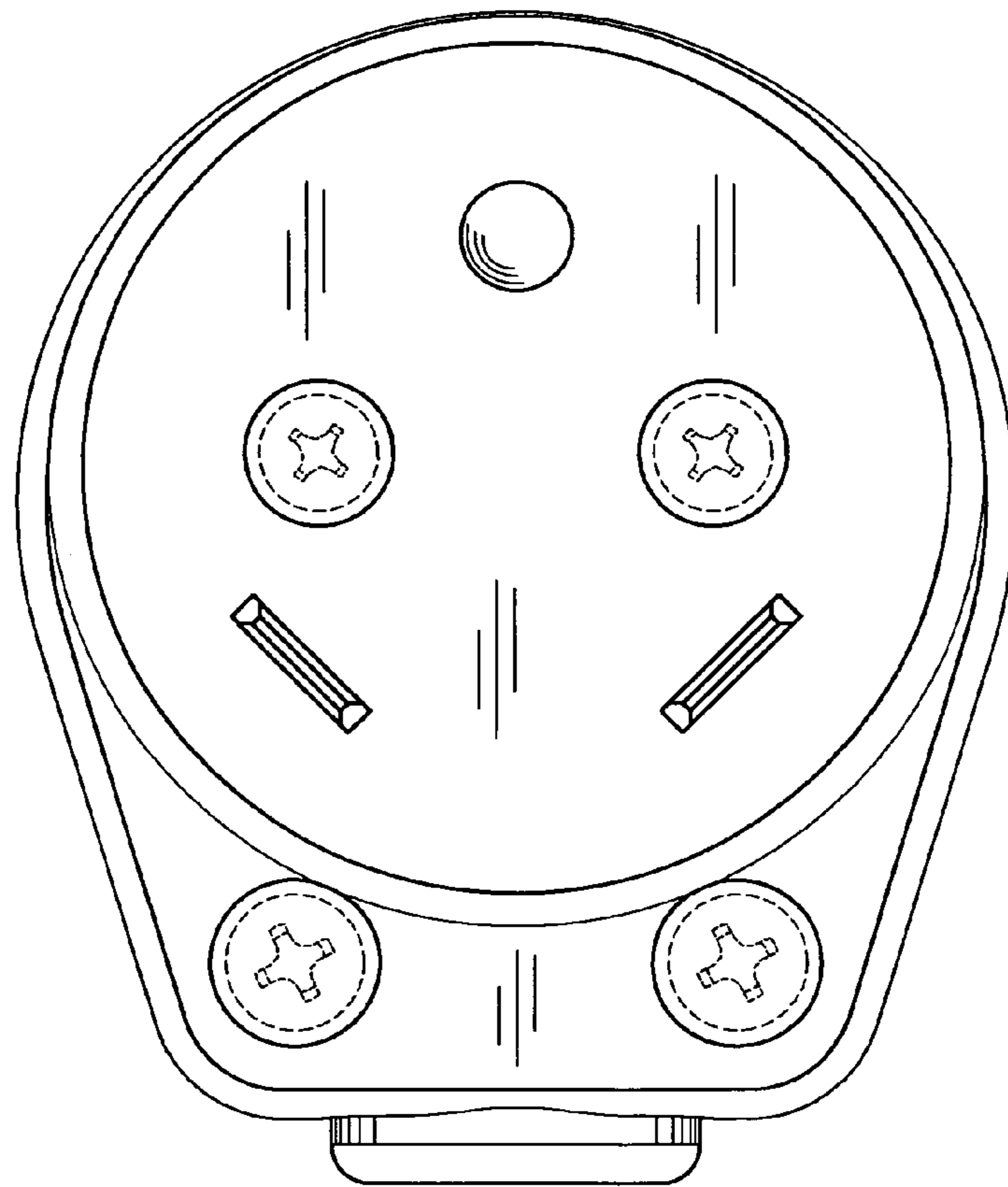


Fig. 6

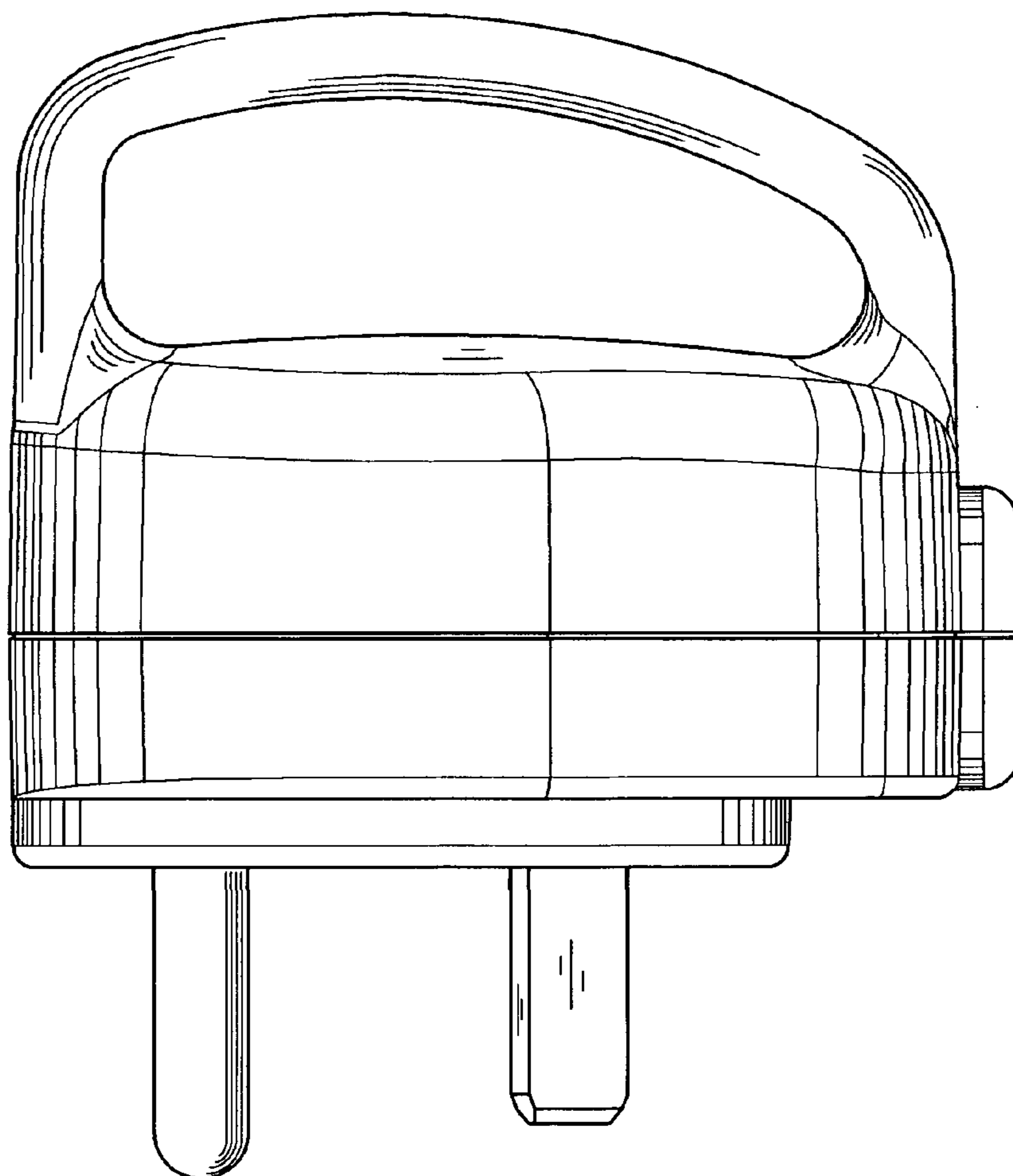


Fig. 7