

US00D664090S

(12) **United States Design Patent**
Inskeep

(10) **Patent No.:** **US D664,090 S**

(45) **Date of Patent:** **** Jul. 24, 2012**

(54) **BATTERY CHARGER AND INFLATOR**

(76) Inventor: **Mathew Inskeep**, Boca Raton, FL (US)

(**) Term: **14 Years**

(21) Appl. No.: **29/412,835**

(22) Filed: **Feb. 8, 2012**

(51) **LOC (9) Cl.** **13-02**

(52) **U.S. Cl.** **D13/107**

(58) **Field of Classification Search** D13/106-110,
D13/118-119, 184, 199; D14/251, 253,
D14/432, 434; 320/103-115; D15/9; D10/77
See application file for complete search history.

(56) **References Cited**

U.S. PATENT DOCUMENTS

- D131,044 S * 1/1942 Hunter D10/77
- D133,791 S * 9/1942 Sherman et al. D13/109
- D134,136 S * 10/1942 Sherman et al. D10/77

- D163,645 S * 6/1951 Shuler et al. D13/109
- D425,018 S * 5/2000 Madura et al. D13/110

* cited by examiner

Primary Examiner — Rosemary K Tarcza

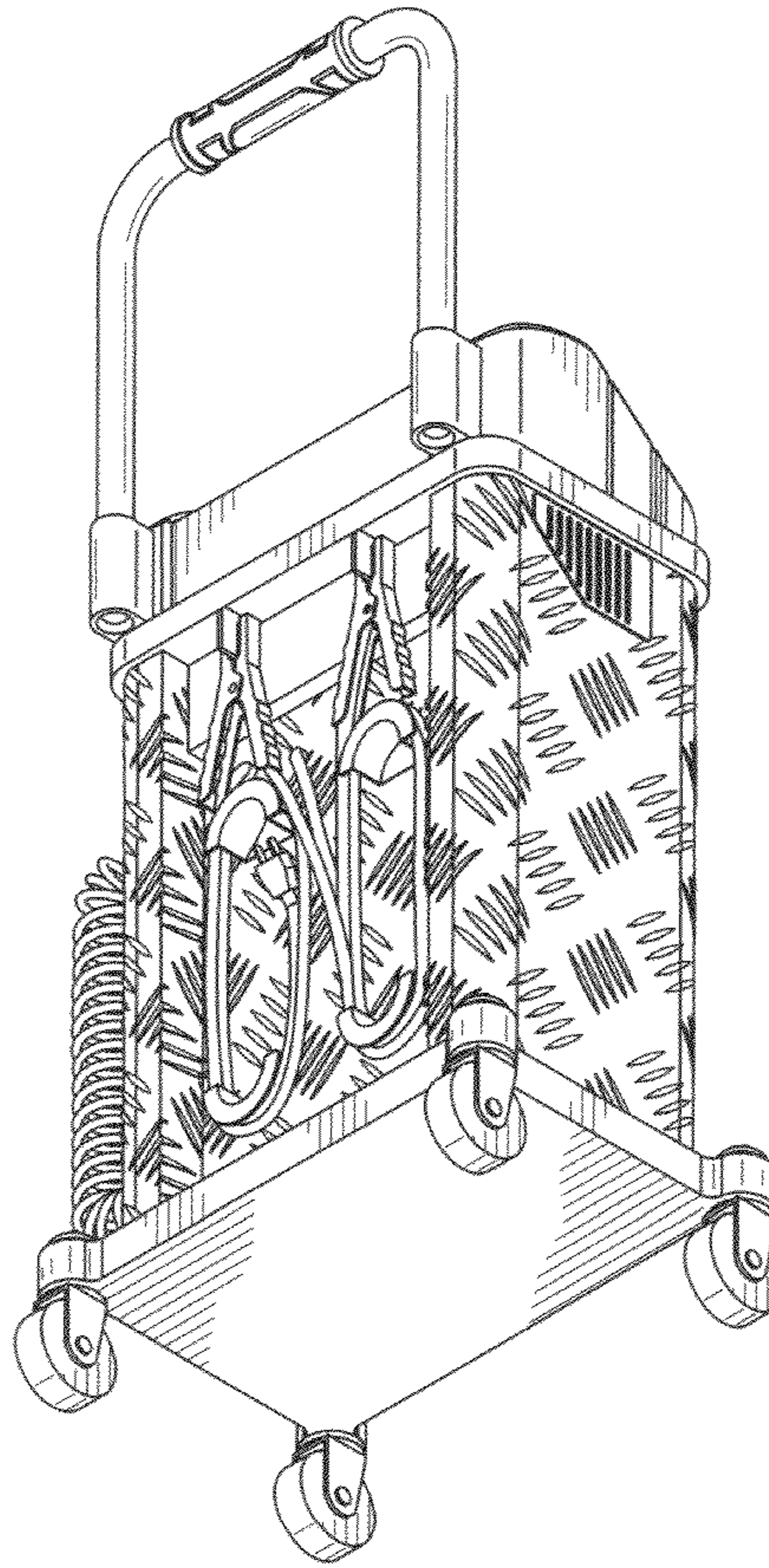
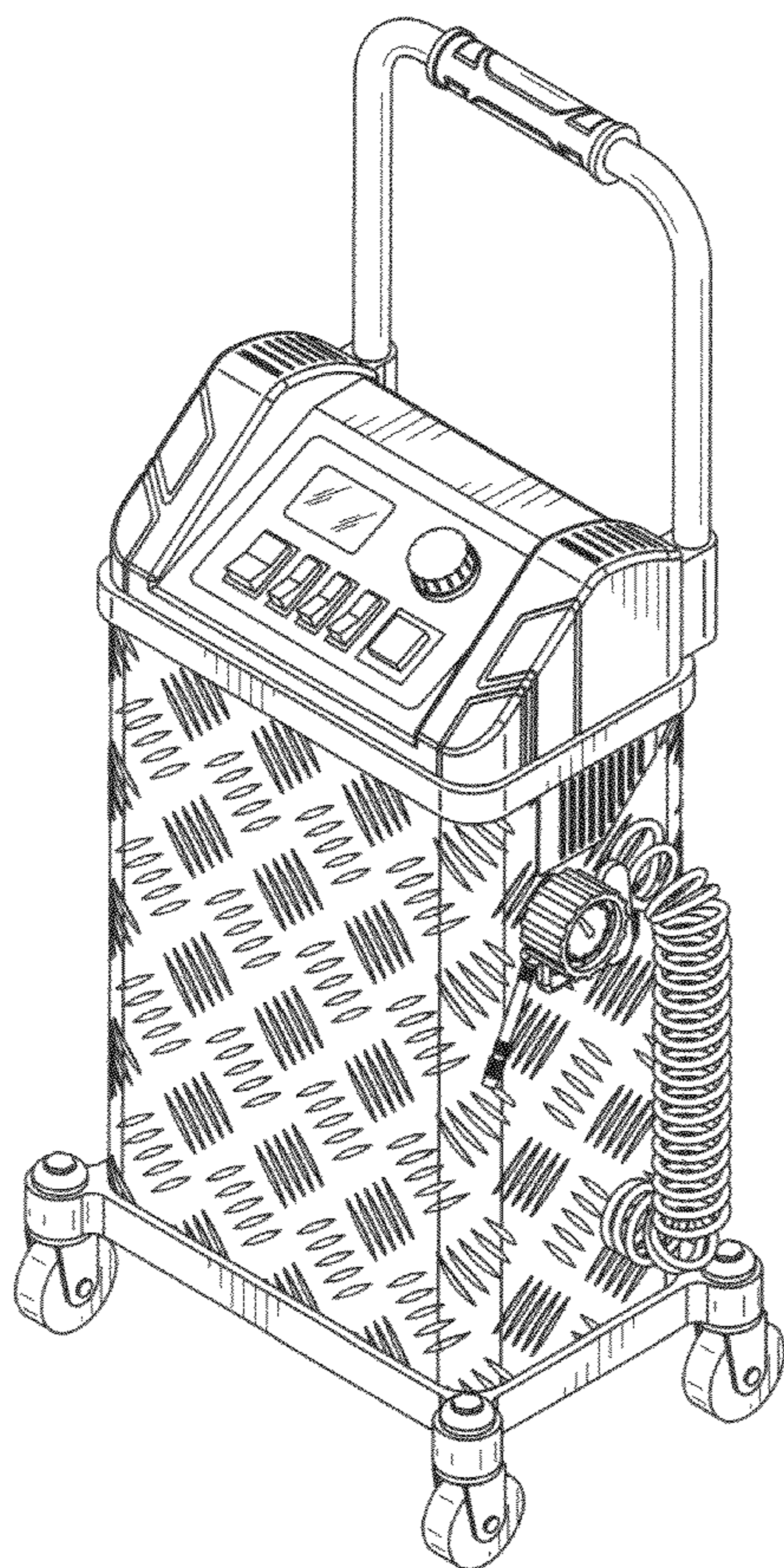
(57) **CLAIM**

I claim the ornamental design for a battery charger and inflator, as shown and described.

DESCRIPTION

FIG. 1 is a top perspective view of the battery charger and inflator showing my new design.
 FIG. 2 is a bottom perspective view.
 FIG. 3 is a angled back view.
 FIG. 4 is a top view.
 FIG. 5 is bottom view.
 FIG. 6 is a right side view thereof.
 FIG. 7 is a left side view thereof.
 FIG. 8 is a front view thereof; and,
 FIG. 9 is a back view thereof.

1 Claim, 8 Drawing Sheets



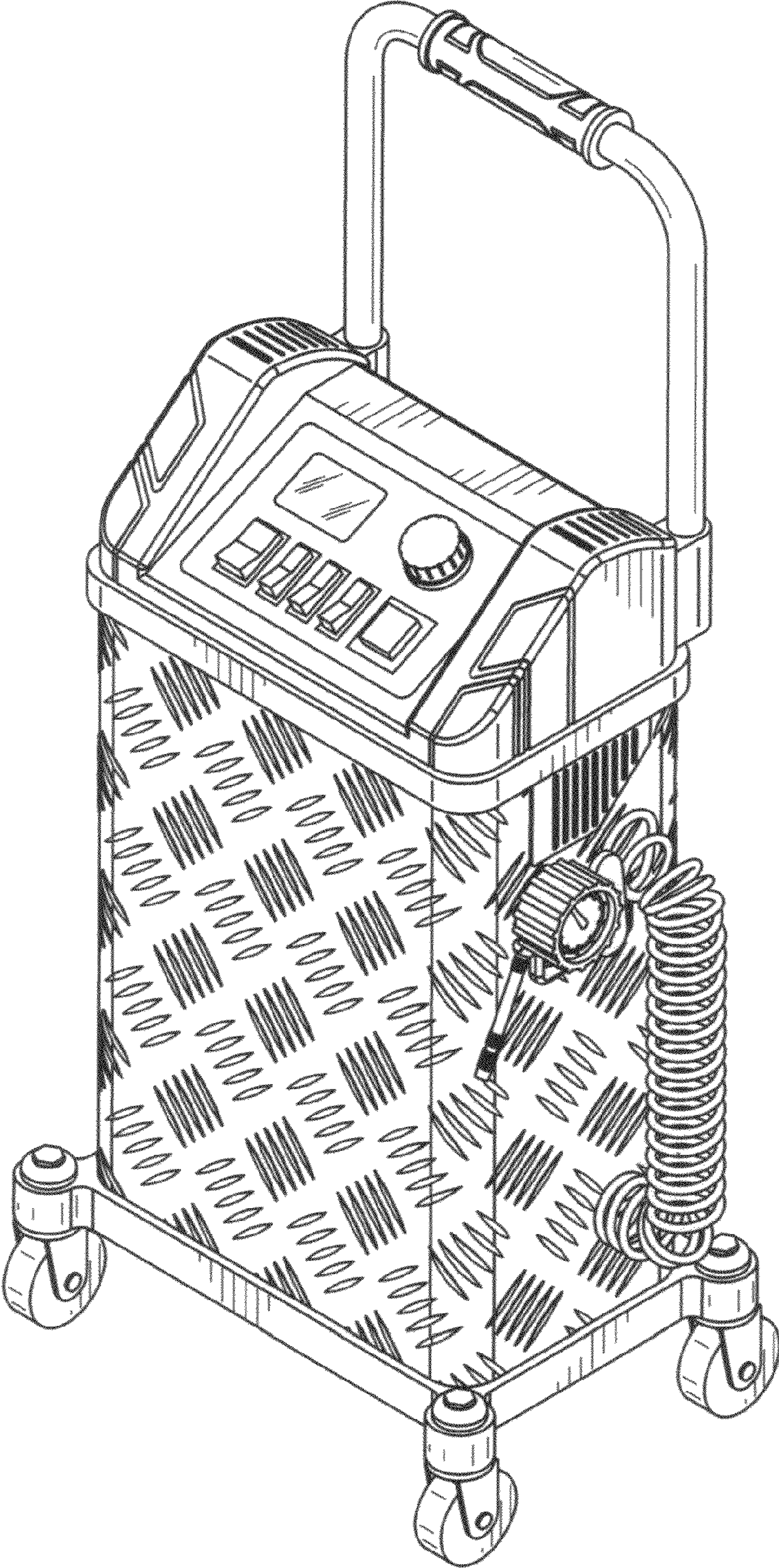


FIG. 1

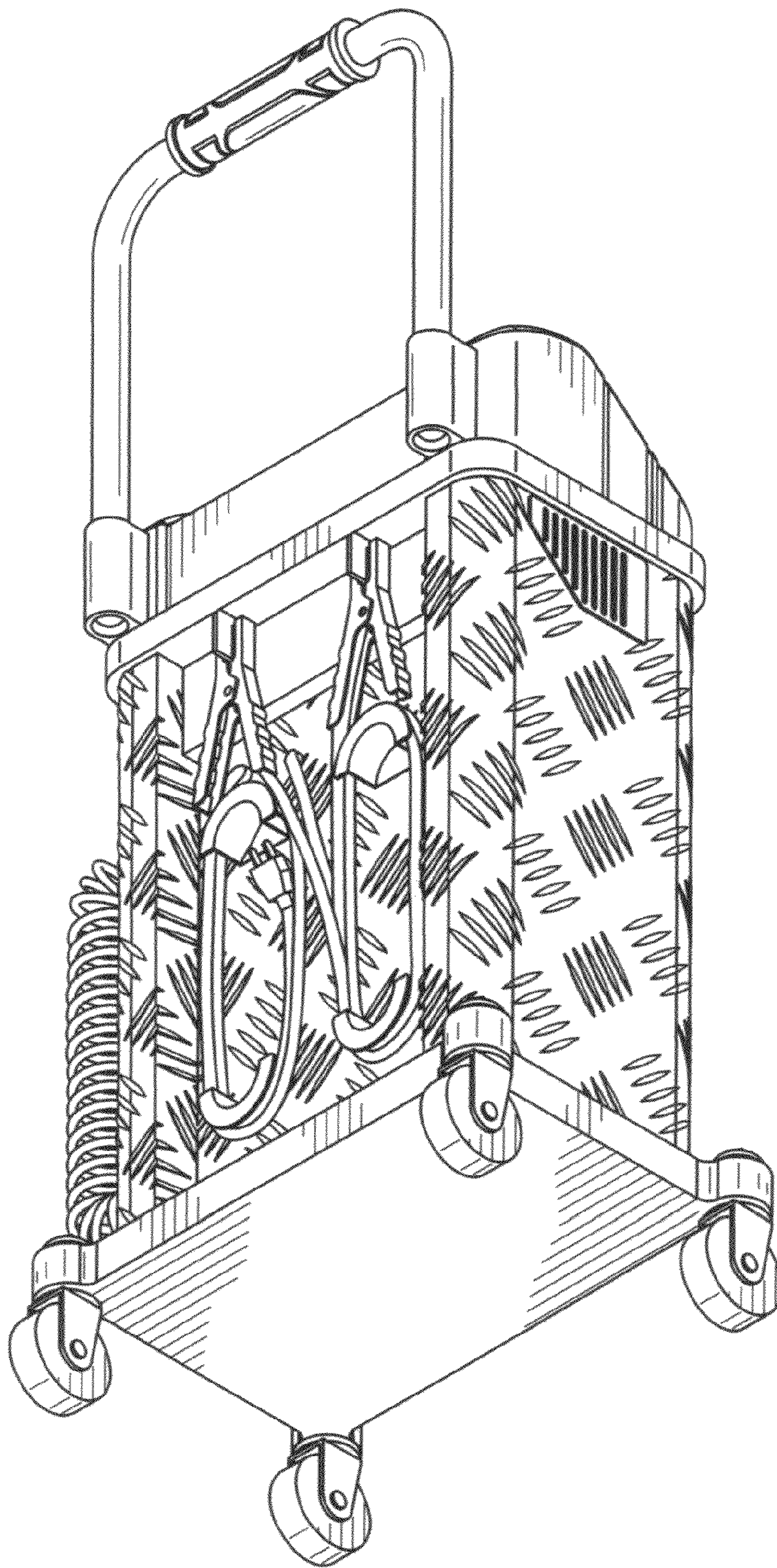


FIG. 2

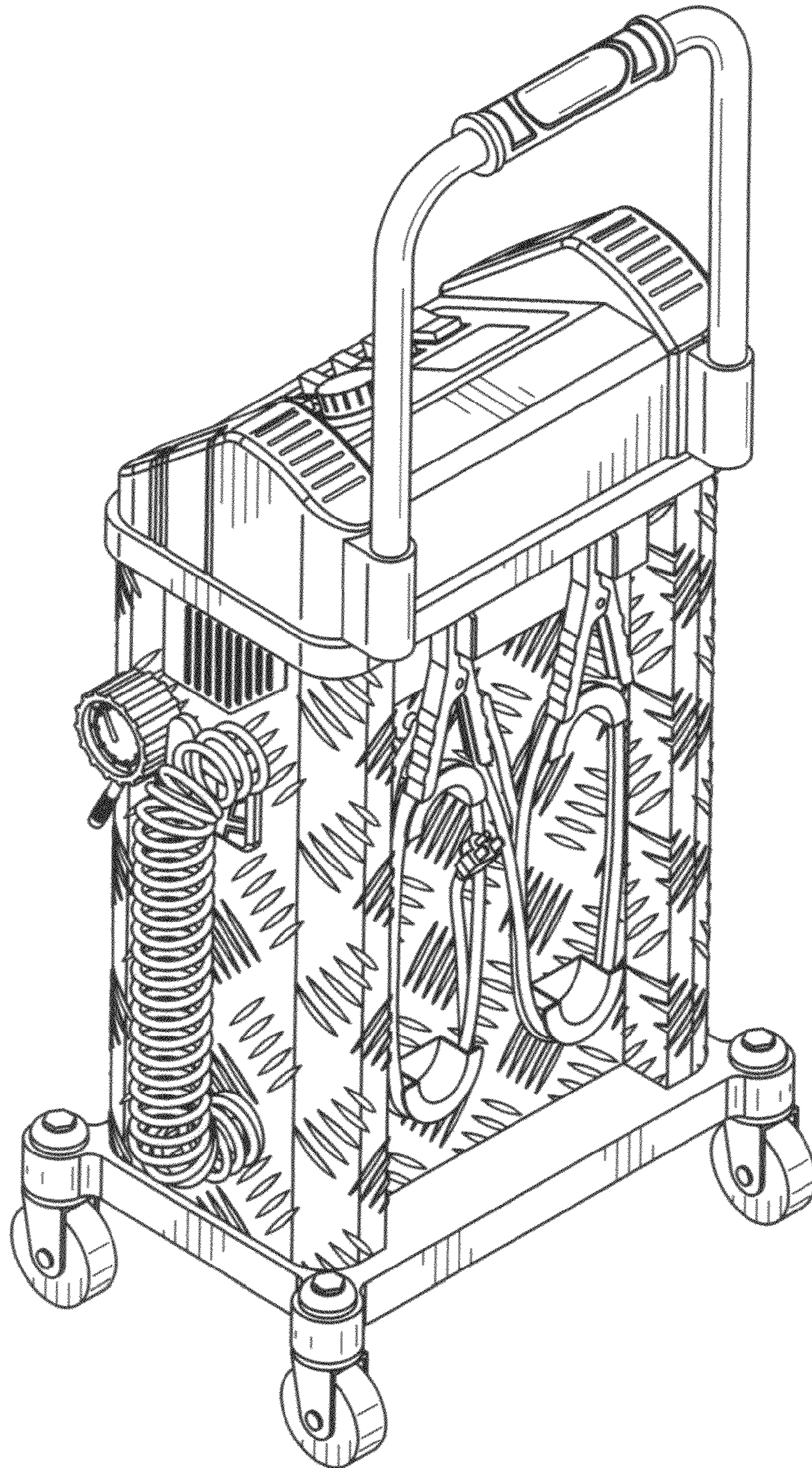


FIG. 3

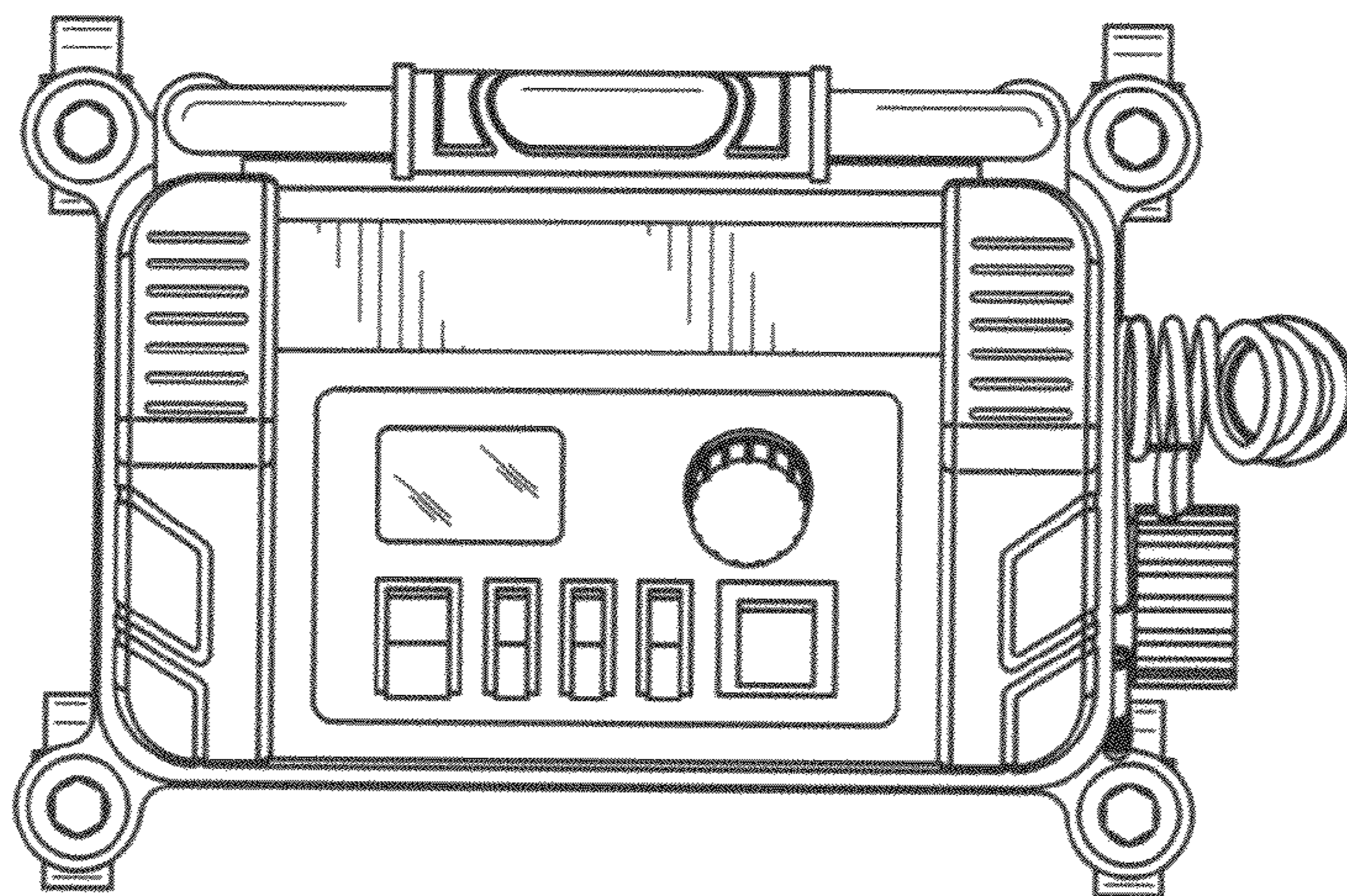


FIG. 4

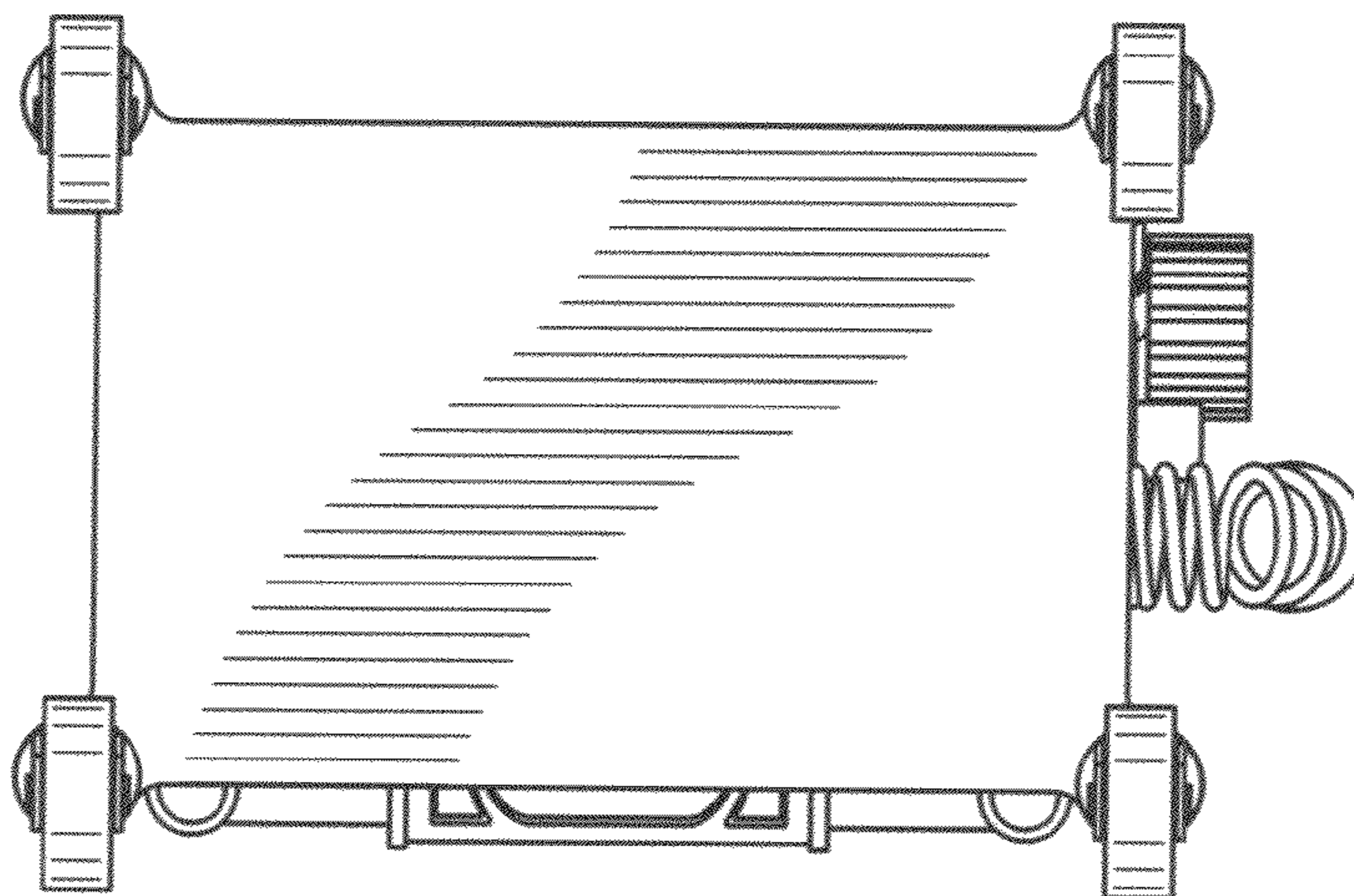


FIG. 5

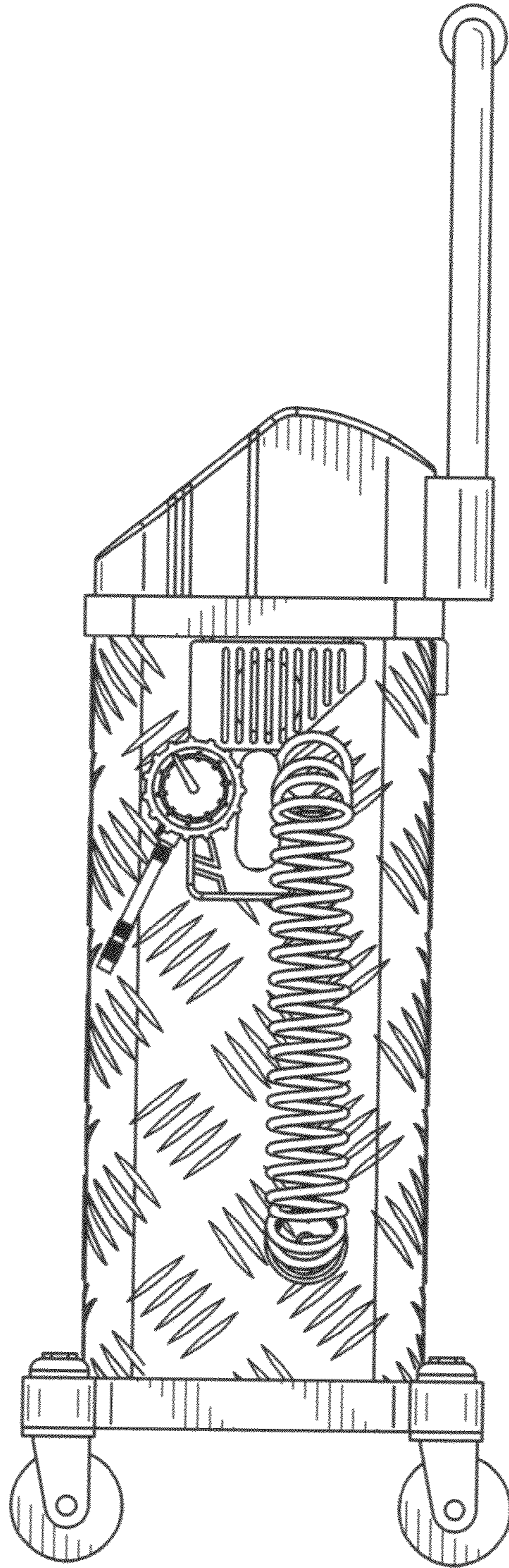


FIG. 6

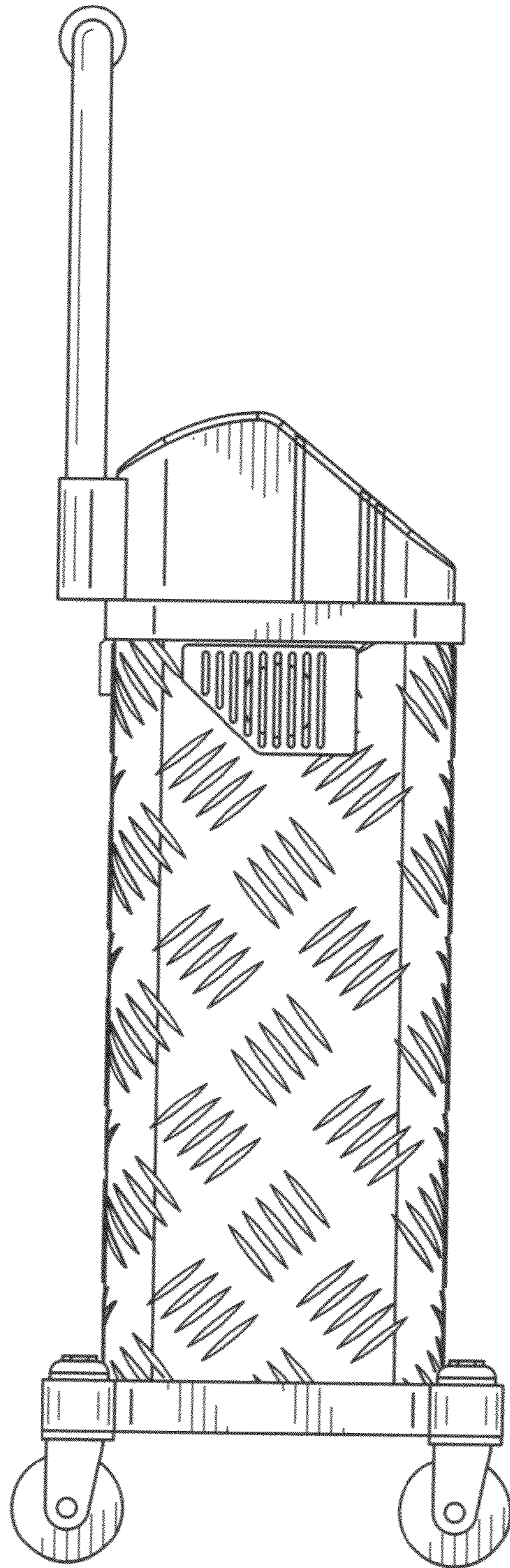


FIG. 7

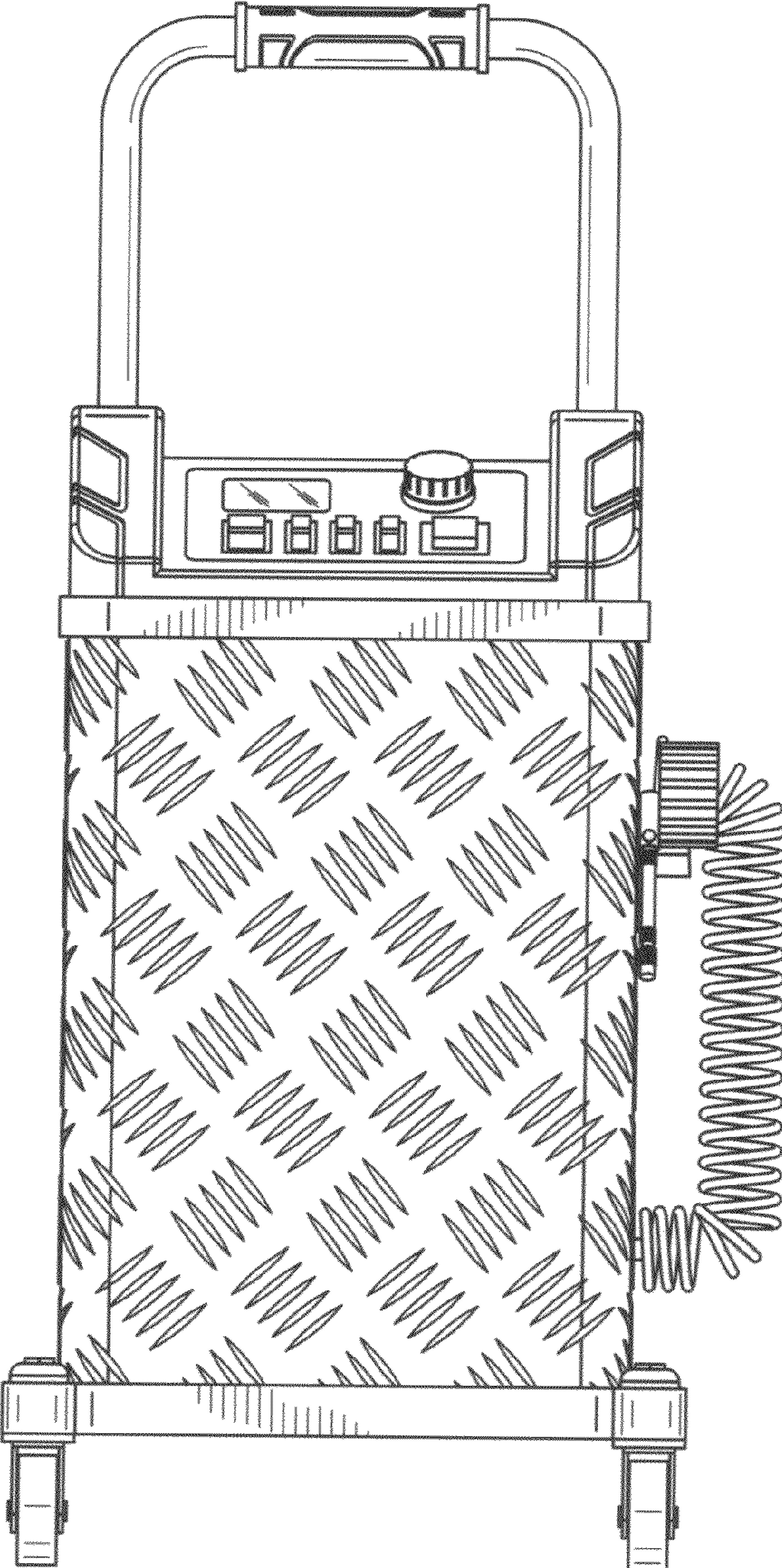


FIG. 8

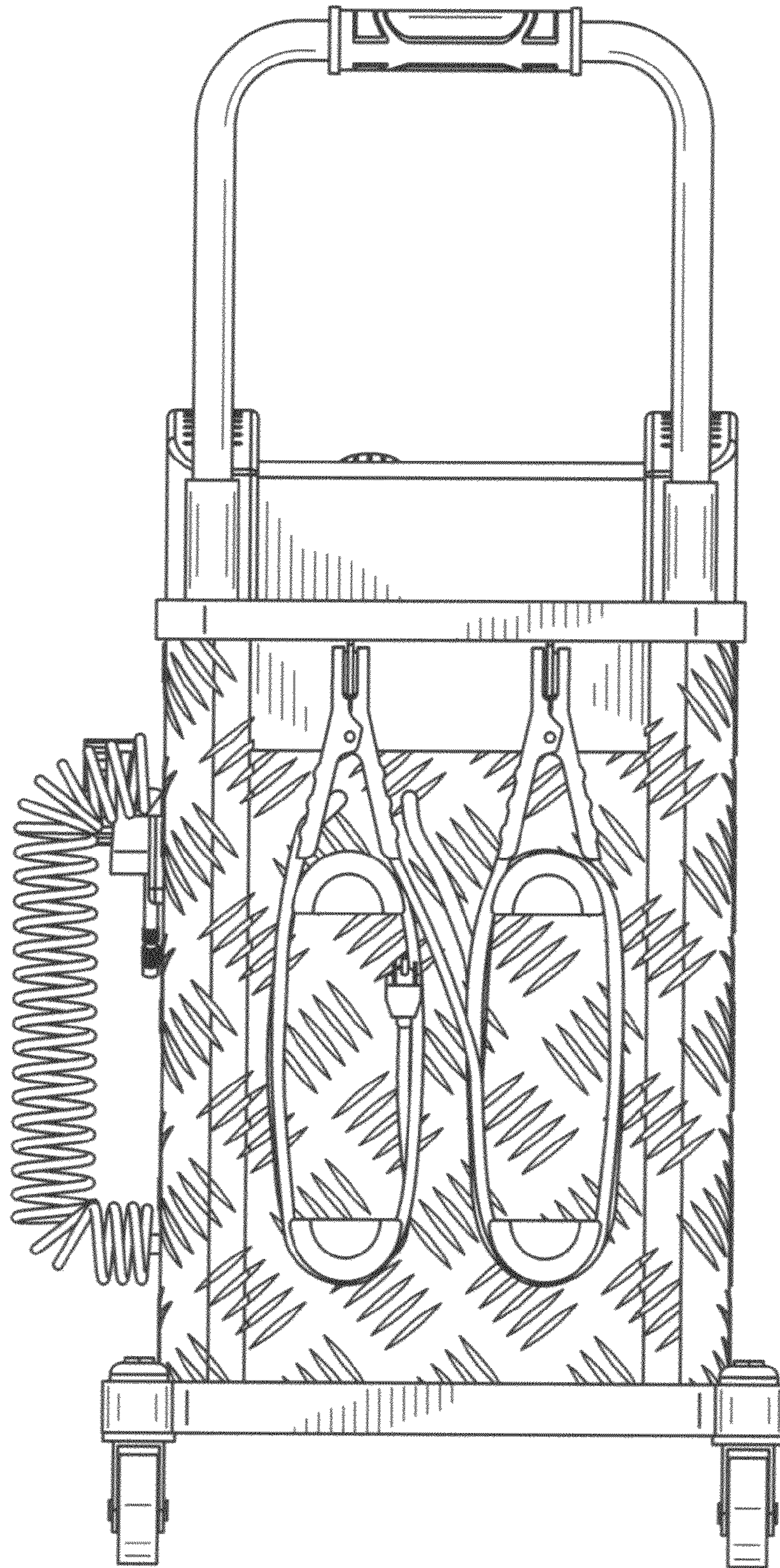


FIG. 9