

US00D664089S

(12) **United States Design Patent**
Chin-Ho Kim et al.

(10) **Patent No.:** **US D664,089 S**
(45) **Date of Patent:** **** Jul. 24, 2012**

(54) **DUAL ELECTRIC VEHICLE CHARGING STATION**

(75) Inventors: **Darren Chin-Ho Kim**, Oakland, CA (US); **David Baxter**, Monte Sereno, CA (US); **Craig T. Matsuno**, San Jose, CA (US); **Price Terzis**, Los Altos Hills, CA (US); **Peter H. Muller**, Woodside, CA (US)

(73) Assignee: **Coulomb Technologies, Inc.**, Campbell, CA (US)

(**) Term: **14 Years**

(21) Appl. No.: **29/397,171**

(22) Filed: **Jul. 12, 2011**

(51) **LOC (9) Cl.** **13-02**

(52) **U.S. Cl.** **D13/107**

(58) **Field of Classification Search** D13/106–110, D13/118–119, 184, 199; D15/9; 320/103–115
See application file for complete search history.

(56) **References Cited**

U.S. PATENT DOCUMENTS

3,418,552 A 12/1968 Holmes
(Continued)

FOREIGN PATENT DOCUMENTS

CH 133540 2/2007

OTHER PUBLICATIONS

Elektrobay Technical Specifications, Elektromotive Ltd., The Sussex Innovation Centre, United Kingdom, 2008, 1 page.

Primary Examiner — Rosemary K Tarcza

(74) *Attorney, Agent, or Firm* — Blakely, Sokoloff, Taylor & Zafman LLP

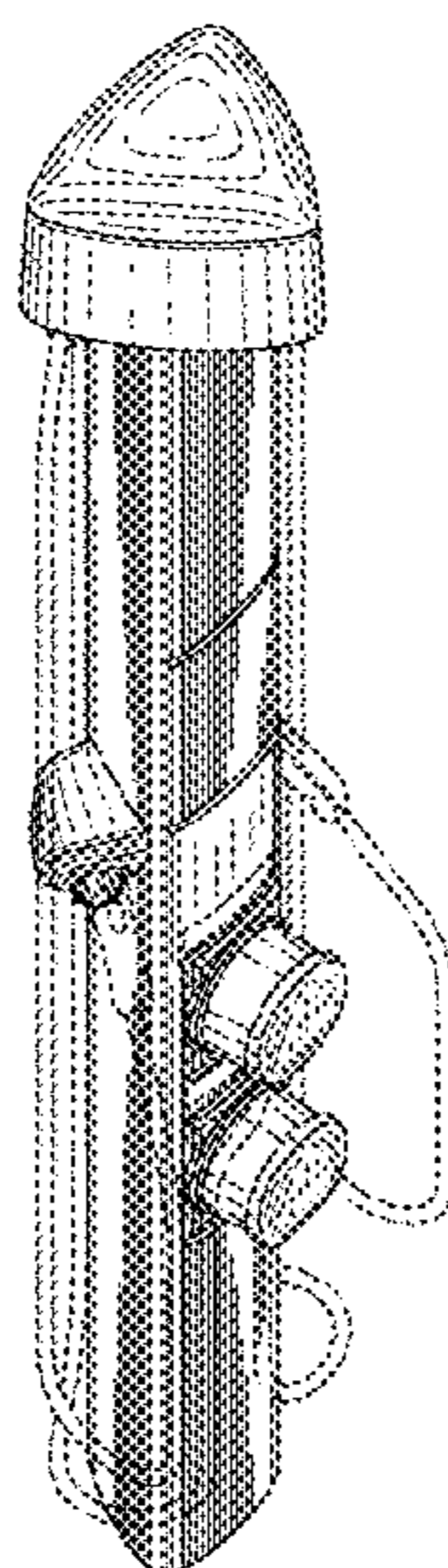
(57) **CLAIM**

The ornamental design for a dual electric vehicle charging station, as shown and described.

DESCRIPTION

FIG. 1 shows a perspective view of a first embodiment of a dual electric vehicle charging station;
FIG. 2 shows a front view of the dual electric vehicle charging station of FIG. 1;
FIG. 3 shows a back view of the dual electric vehicle charging station of FIG. 1;
FIG. 4 shows a right view of the dual electric vehicle charging station of FIG. 1;
FIG. 5 shows a left view of the dual electric vehicle charging station of FIG. 1;
FIG. 6 shows a top view of the dual electric vehicle charging station of FIG. 1;
FIG. 7 shows a bottom view of the dual electric vehicle charging station of FIG. 1;
FIG. 8 shows a detailed view of the body of the dual electric vehicle charging station of FIG. 1;
FIG. 9 shows a perspective view of a second embodiment of a dual electric vehicle charging station;
FIG. 10 shows a front view of the dual electric vehicle charging station of FIG. 9;
FIG. 11 shows a back view of the dual electric vehicle charging station of FIG. 9;
FIG. 12 shows a right view of the dual electric vehicle charging station of FIG. 9;
FIG. 13 shows a left view of the dual electric vehicle charging station of FIG. 9;
FIG. 14 shows a top view of the dual electric vehicle charging station of FIG. 9;
FIG. 15 shows a bottom view of the dual electric vehicle charging station of FIG. 9; and,
FIG. 16 shows a detailed view of the body of the dual electric vehicle charging station of FIG. 9.
The broken lines illustrate environmental structure and form no part of the claimed design.

1 Claim, 14 Drawing Sheets



US D664,089 S

Page 2

U.S. PATENT DOCUMENTS

D237,718 S	11/1975	Bozich		D597,937 S	8/2009	Haw et al.	
4,158,102 A	6/1979	Bright		D608,731 S *	1/2010	Amit	D13/107
D270,831 S	10/1983	Jensen		D613,683 S *	4/2010	Baxter et al.	D13/107
D290,599 S	6/1987	Wyatt		D618,168 S *	6/2010	Baxter et al.	D13/107
D299,821 S	2/1989	Dively		D626,064 S *	10/2010	Cutter et al.	D13/107
D314,182 S	1/1991	Moerman		D626,065 S *	10/2010	Cutter et al.	D13/107
D354,739 S	1/1995	Durham et al.		D628,960 S *	12/2010	Shimizu et al.	D13/107
5,461,299 A	10/1995	Bruni		D629,747 S *	12/2010	Rajakaruna	D13/107
D371,111 S *	6/1996	Jones et al.	D13/139.5	2010/0013433 A1 *	1/2010	Baxter et al.	320/109
D434,001 S	11/2000	Sayger		2010/0320966 A1 *	12/2010	Baxter et al.	320/109
D517,011 S	3/2006	Burke		2011/0145141 A1 *	6/2011	Blain	705/39
D534,869 S	1/2007	Stekelenburg		2011/0174875 A1 *	7/2011	Wurzer	235/380

* cited by examiner

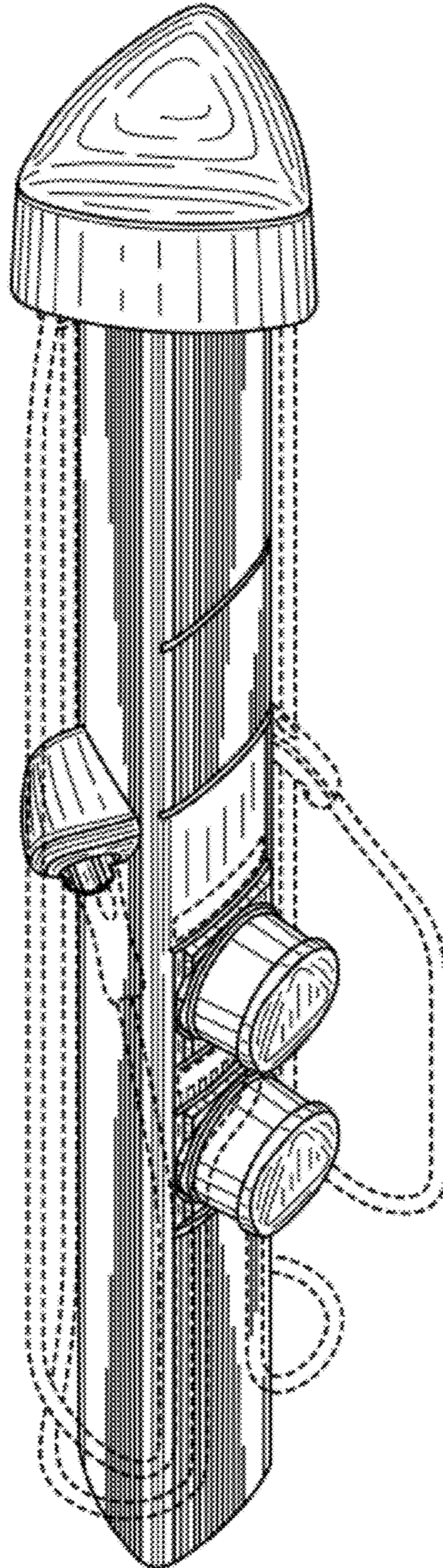


FIG. 1

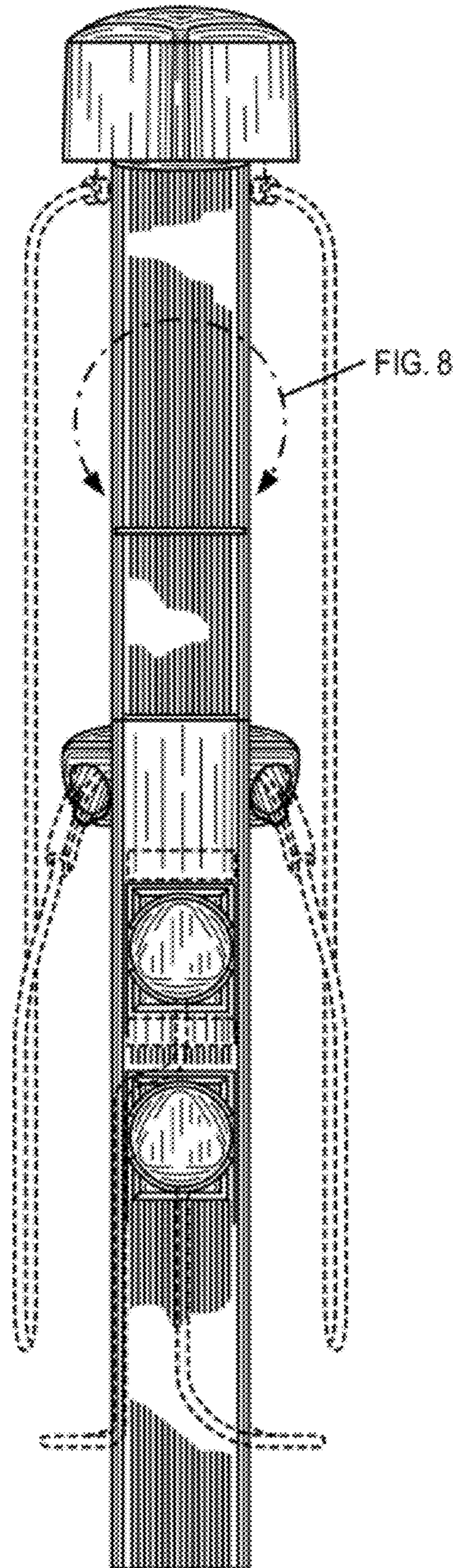


FIG. 2

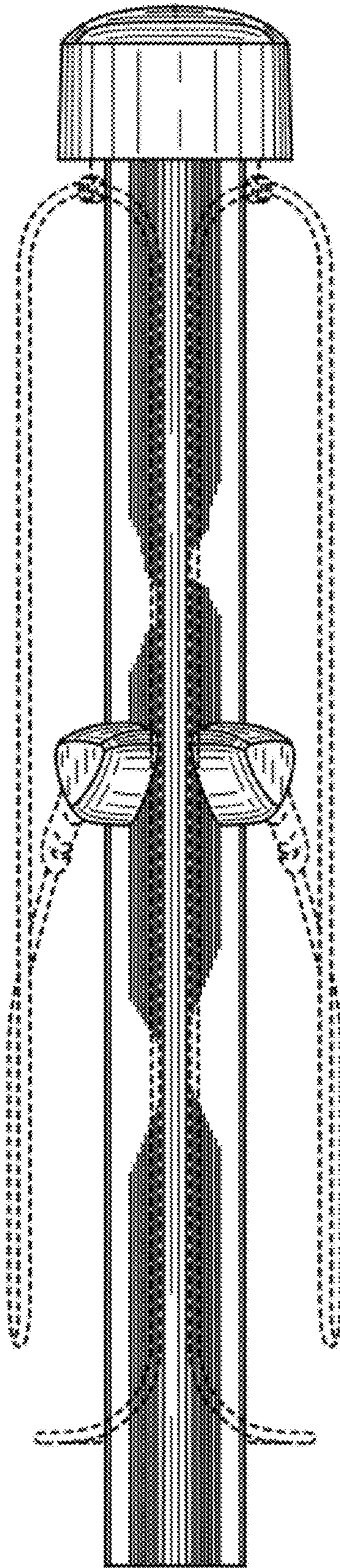


FIG. 3

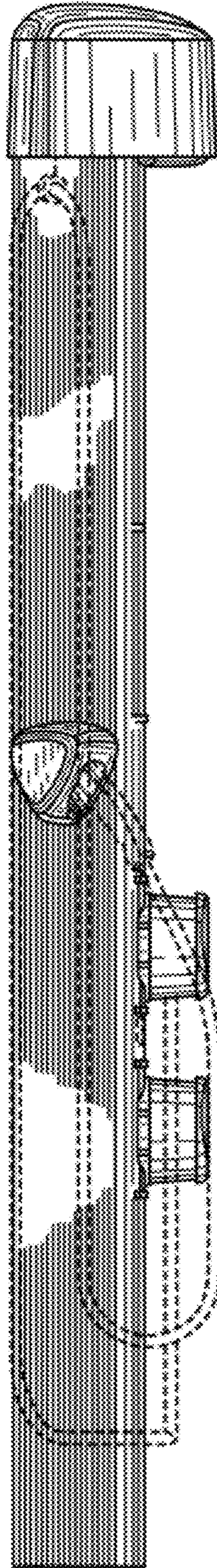


FIG. 4

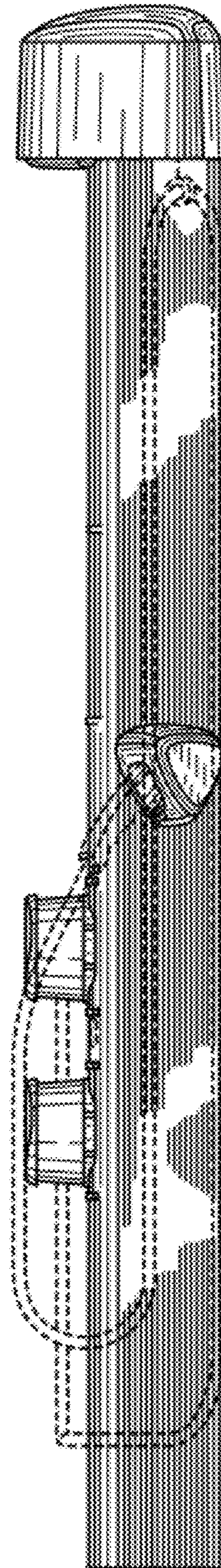


FIG. 5

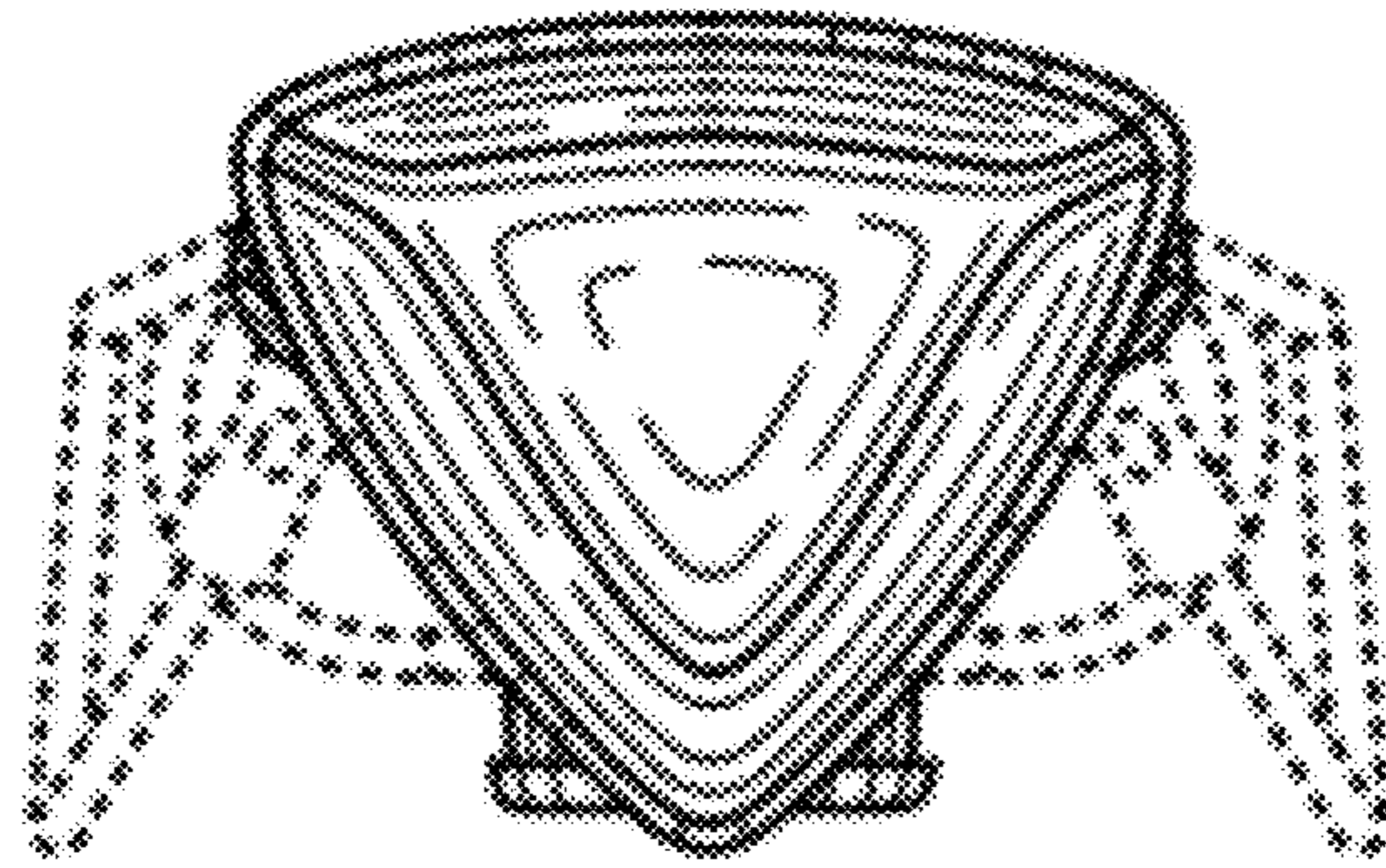


FIG. 6

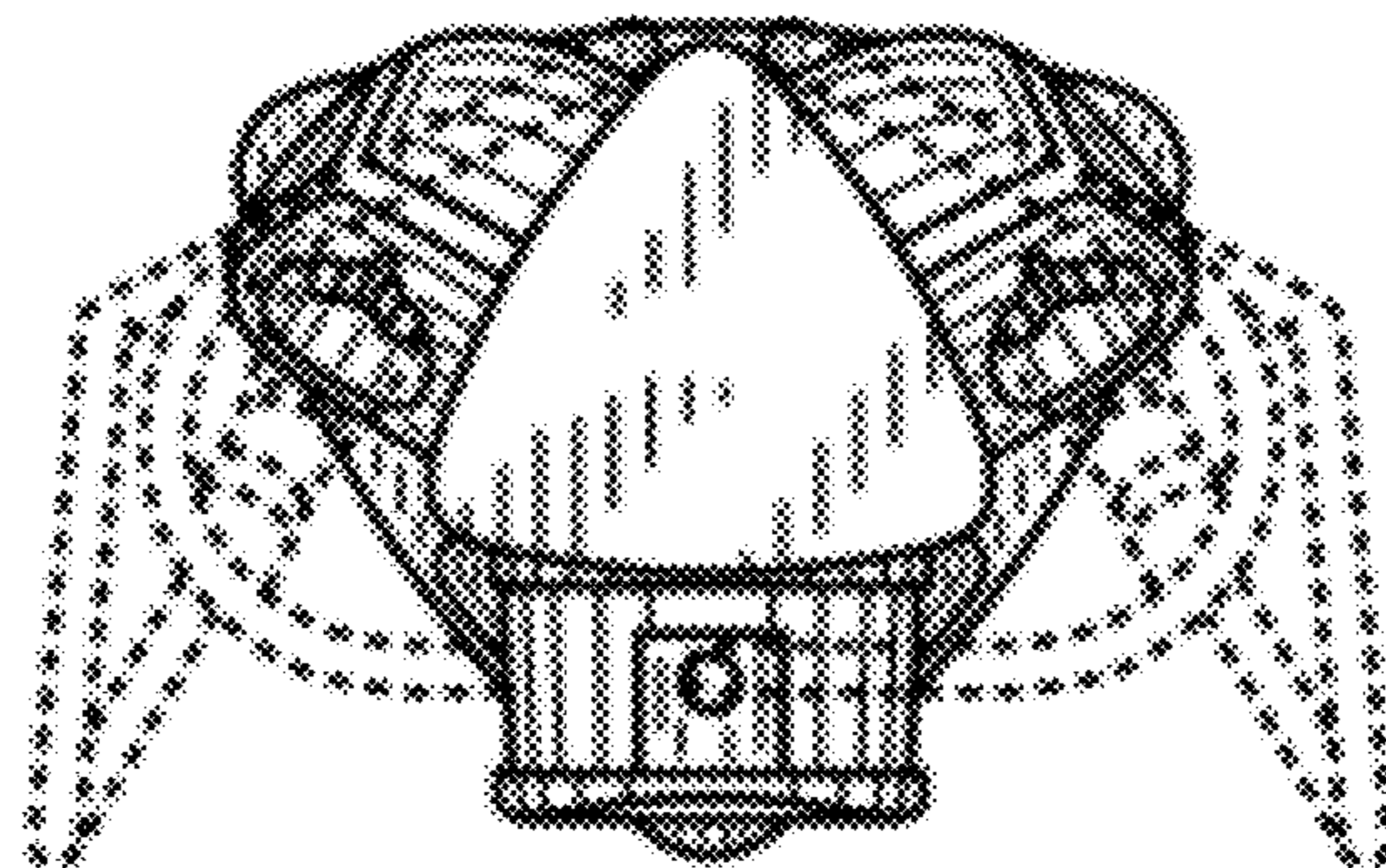


FIG. 7

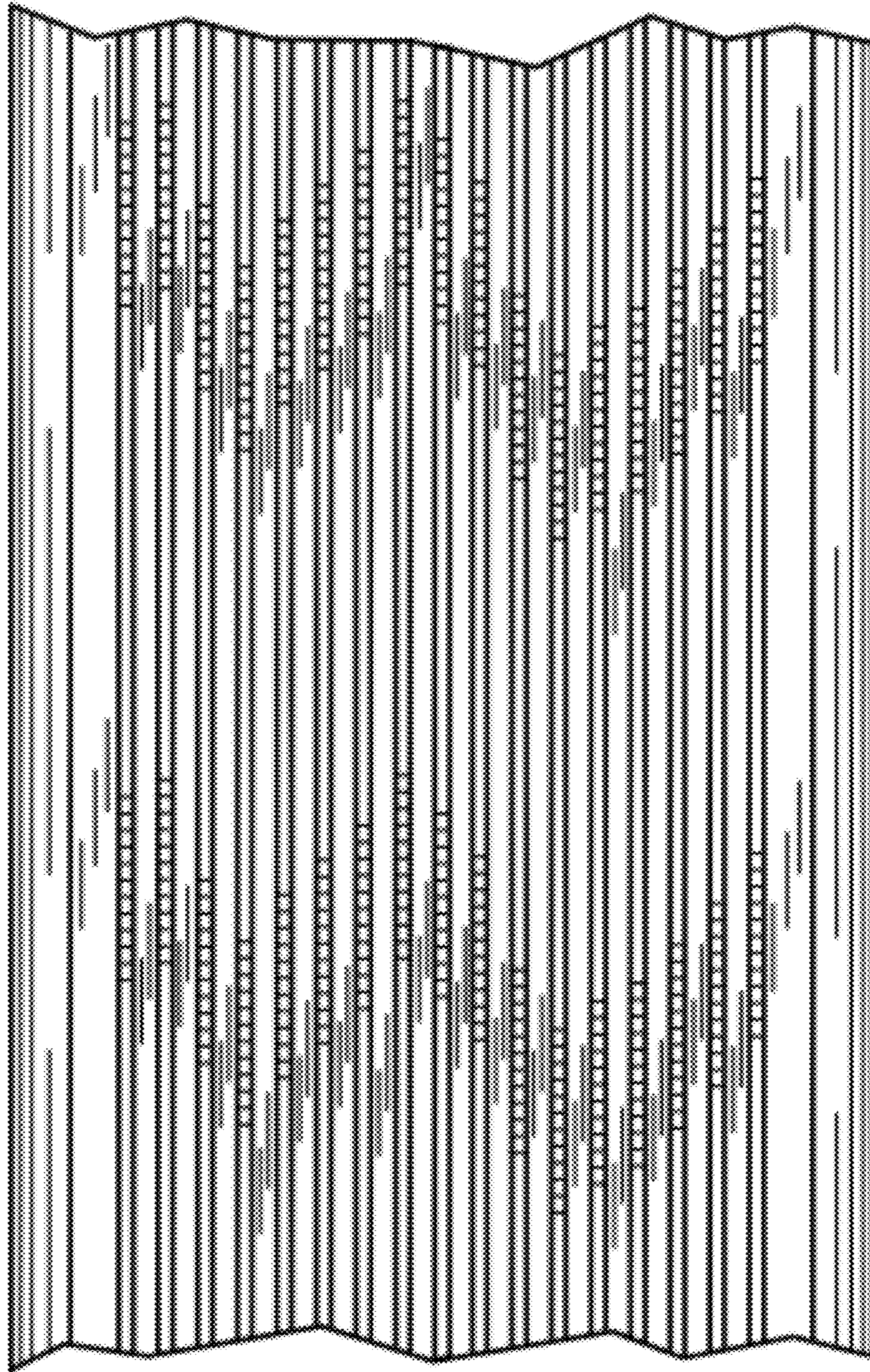


FIG. 8

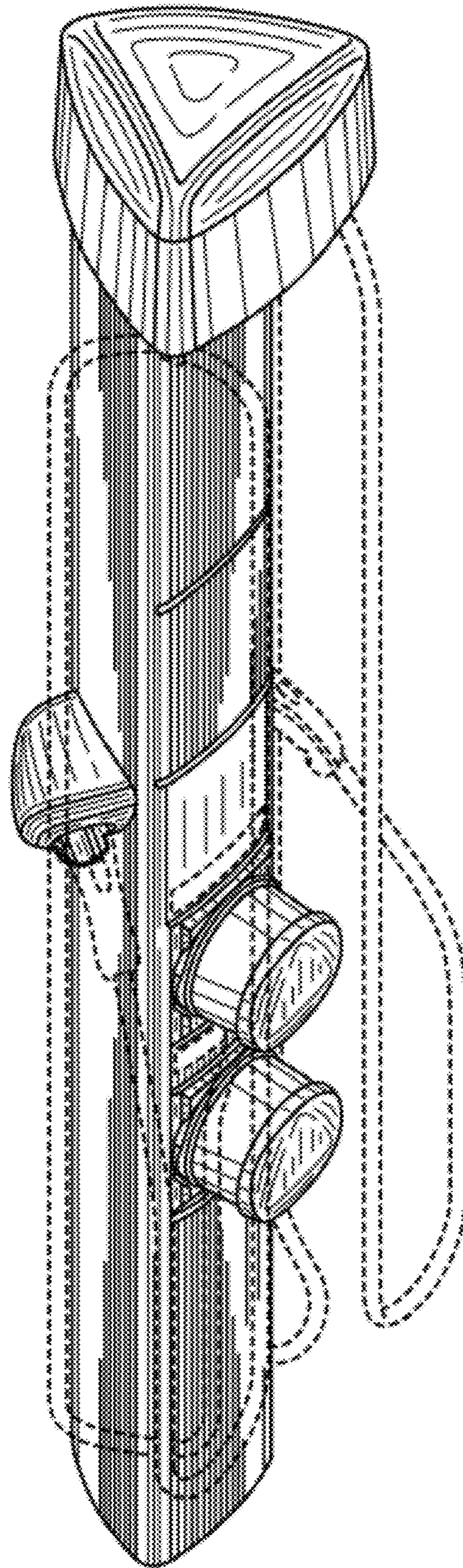


FIG. 9

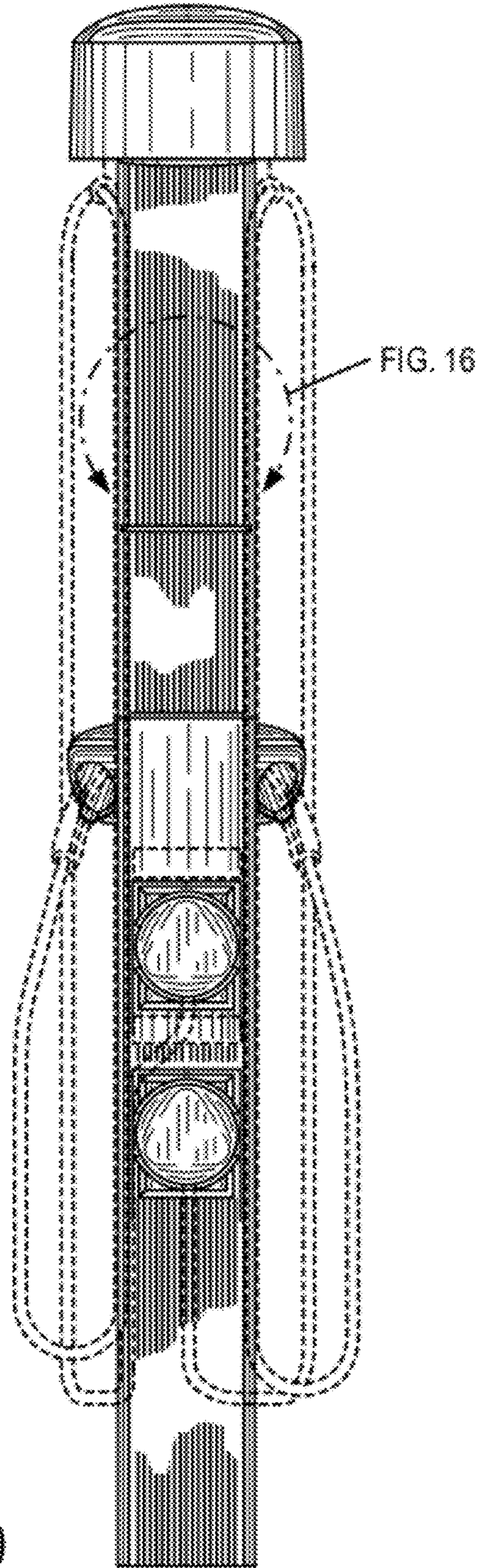


FIG. 10

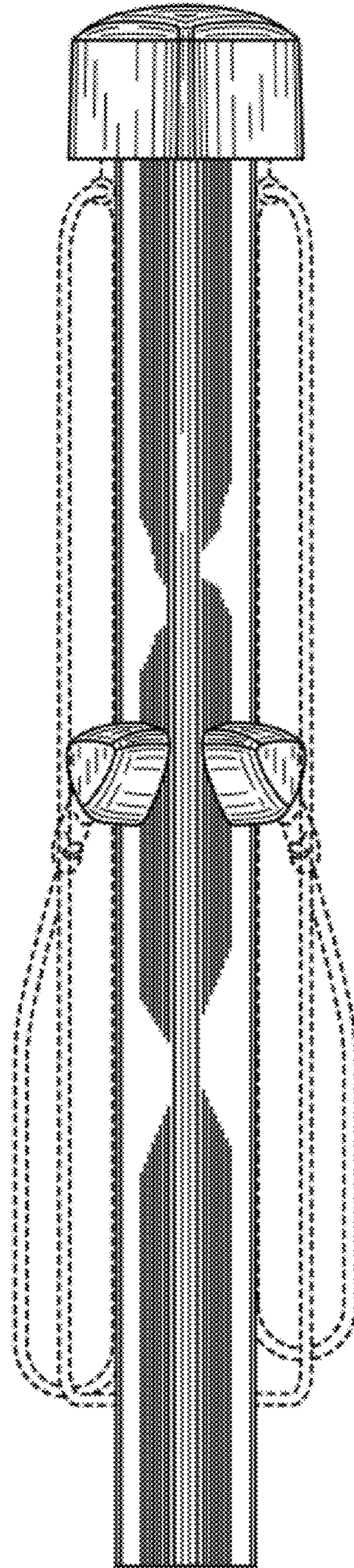


FIG. 11

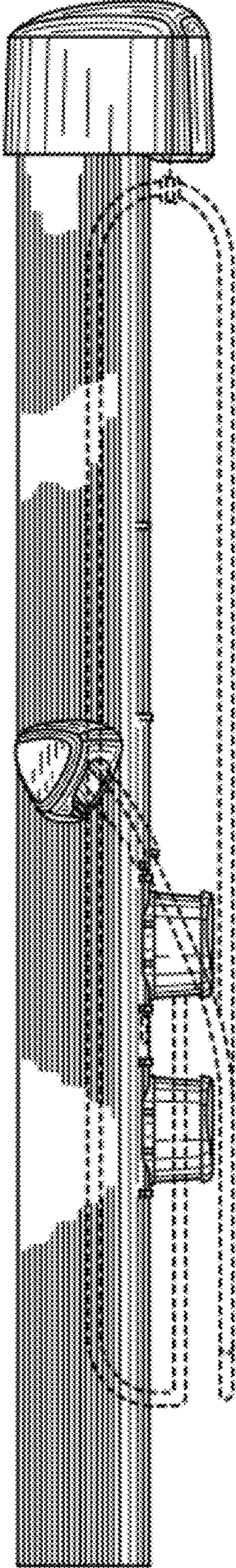


FIG. 12

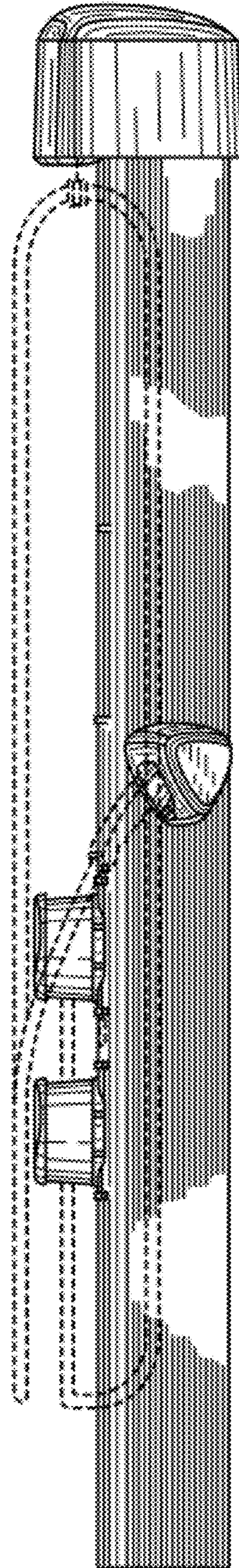


FIG. 13

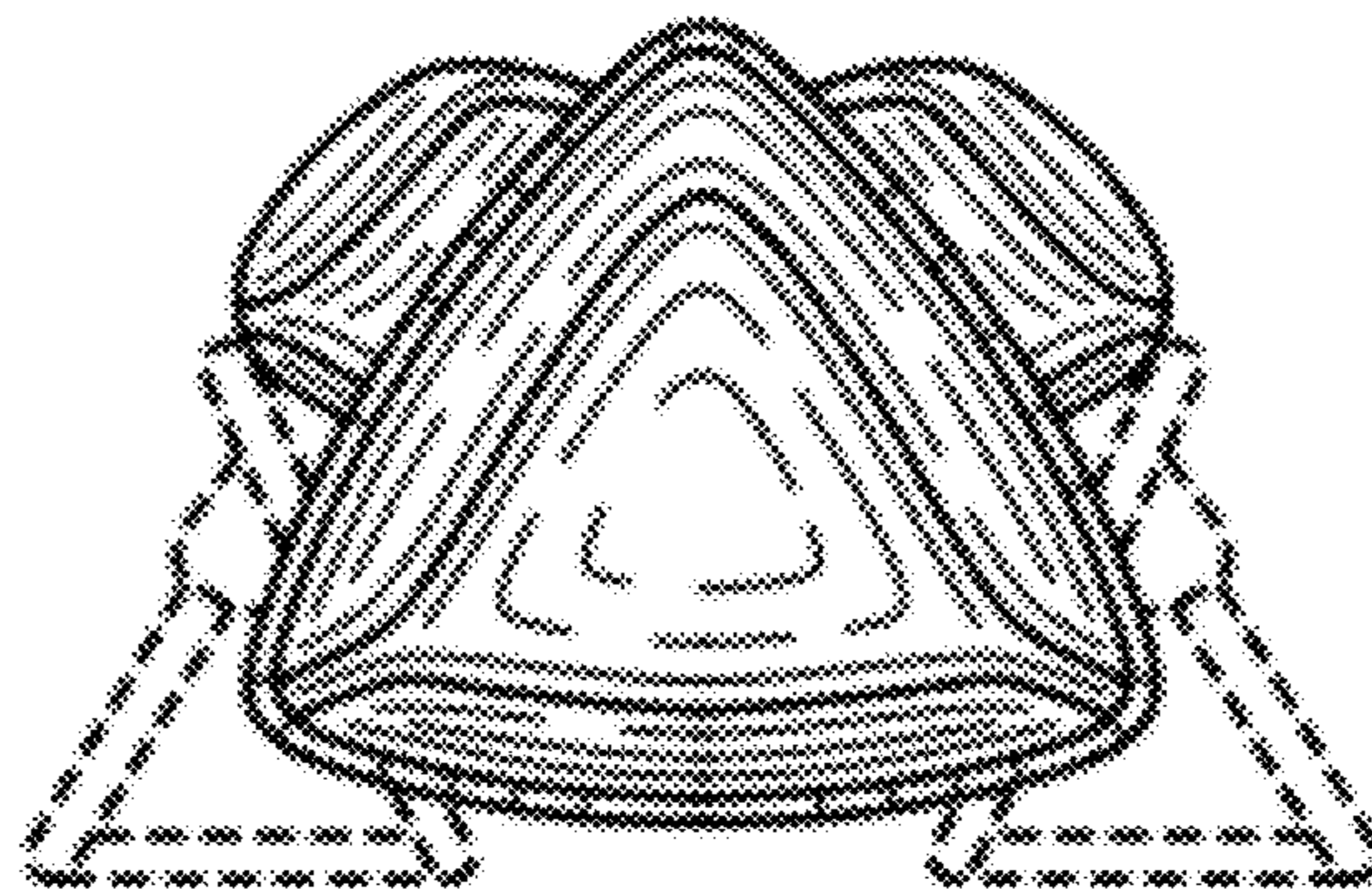


FIG. 14

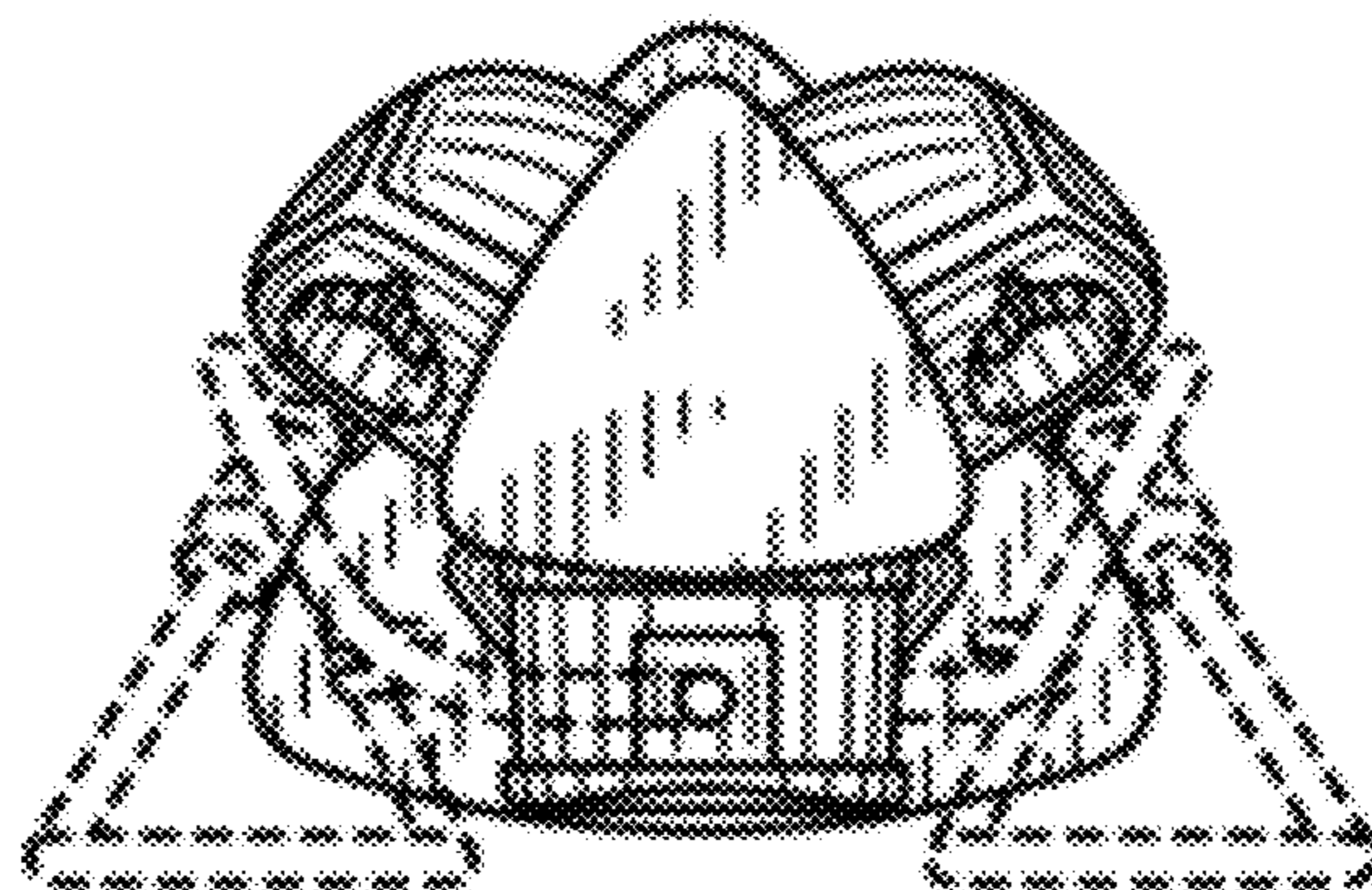


FIG. 15

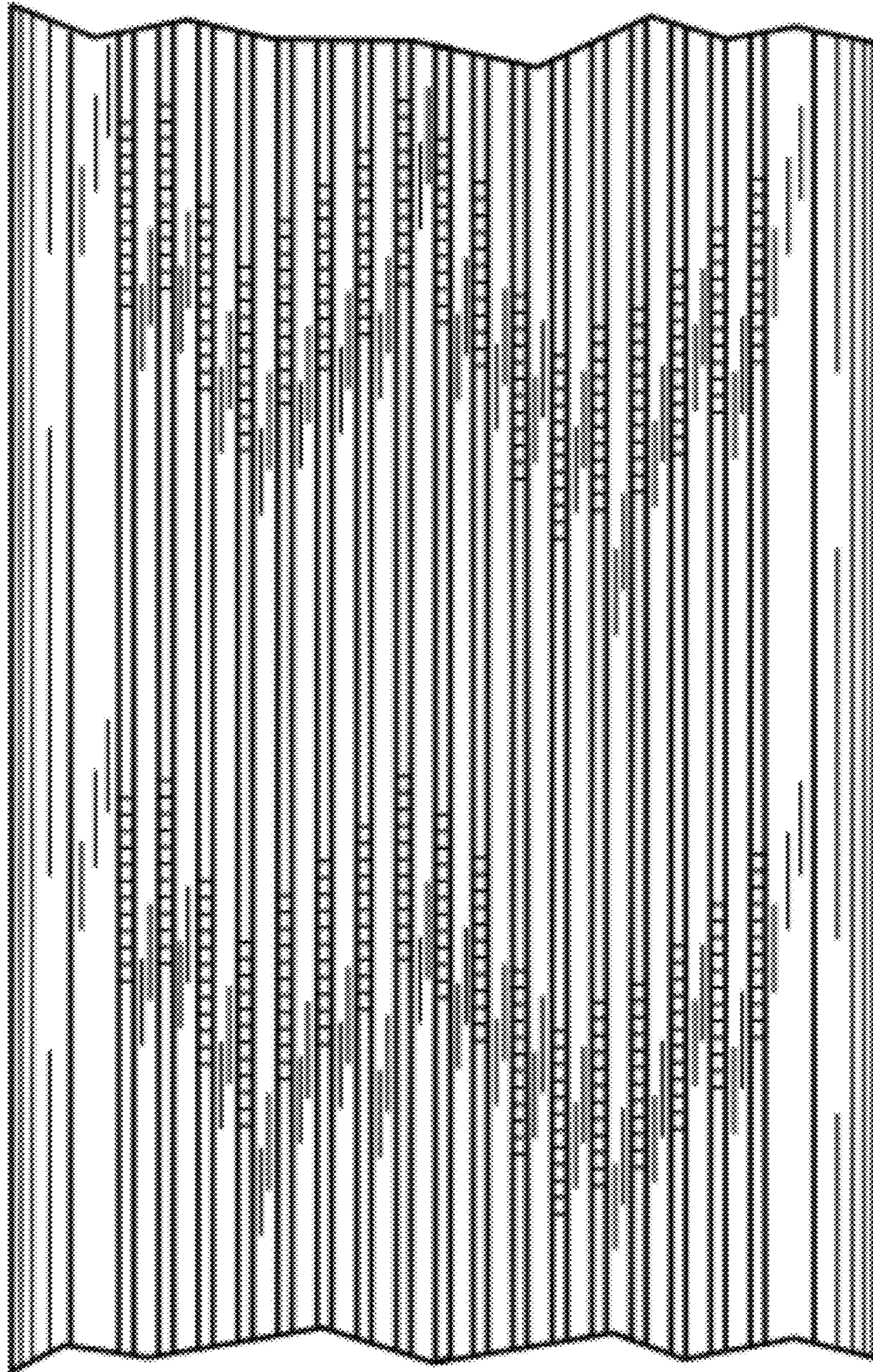


FIG. 16