

US00D664079S

(12) **United States Design Patent**
Lujan

(10) **Patent No.:** **US D664,079 S**
(45) **Date of Patent:** **** Jul. 24, 2012**

(54) **HANDLEBAR**

(75) Inventor: **Leonard c Lujan**, Albuquerque, NM
(US)

(73) Assignee: **Leonard C LuJan**, Albuquerque, NM
(US)

(**) Term: **14 Years**

(21) Appl. No.: **29/353,680**

(22) Filed: **Jan. 12, 2010**

(51) **LOC (9) Cl.** **12-11**

(52) **U.S. Cl.** **D12/178**

(58) **Field of Classification Search** D12/178,
D12/110, 111; 74/551.1-551.9; 180/219,
180/220; 280/274-280, 263, 281.1, 288.1-288.4
See application file for complete search history.

(56) **References Cited**

U.S. PATENT DOCUMENTS

D331,376 S * 12/1992 Sewell D12/111
D354,934 S * 1/1995 Johnson et al. D12/111
D537,017 S * 2/2007 MacCarrone et al. D12/111

D556,641 S * 12/2007 MacCarrone et al. D12/111
D572,181 S * 7/2008 Lujan D12/178
D612,307 S * 3/2010 Lujan D12/178
D639,211 S * 6/2011 Lujan D12/110

* cited by examiner

Primary Examiner — Susan M Lee

Assistant Examiner — Linda G. Brooks

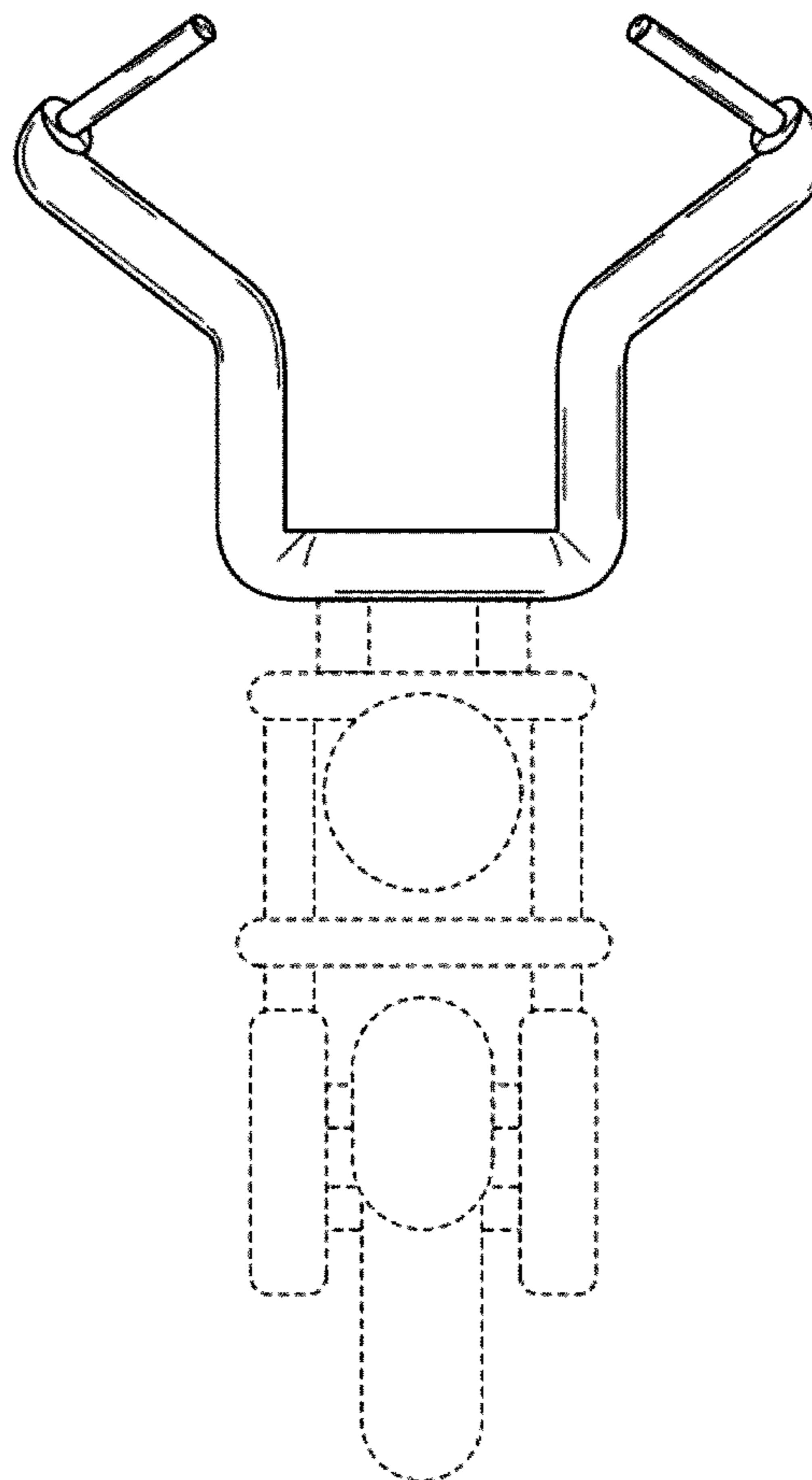
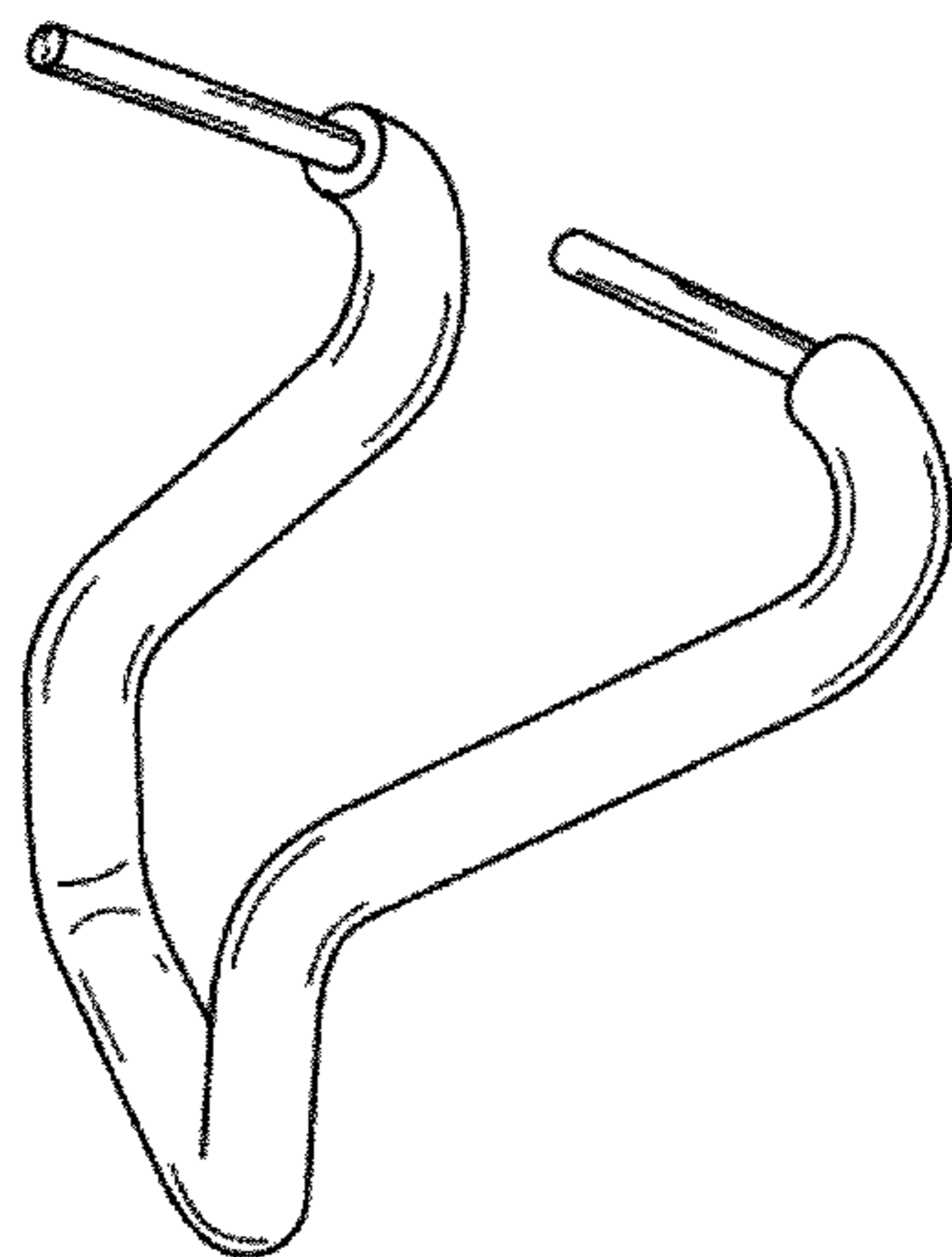
(57) **CLAIM**

I claim the ornamental design for a handlebar, as shown and described.

DESCRIPTION

FIG. 1 is a left, front perspective view of my new handlebar; FIG. 2 is a front elevational view thereof, shown attached to a two-wheeled vehicle; FIG. 3 is a rear elevational view thereof; FIG. 4 is a left side elevation view thereof; FIG. 5 is a right side elevation view thereof; FIG. 6 is a top elevation view thereof; and, FIG. 7 is a bottom elevation view thereof. The broken lines shown in the drawing represent environmental structure that form no part of the claimed design.

1 Claim, 3 Drawing Sheets



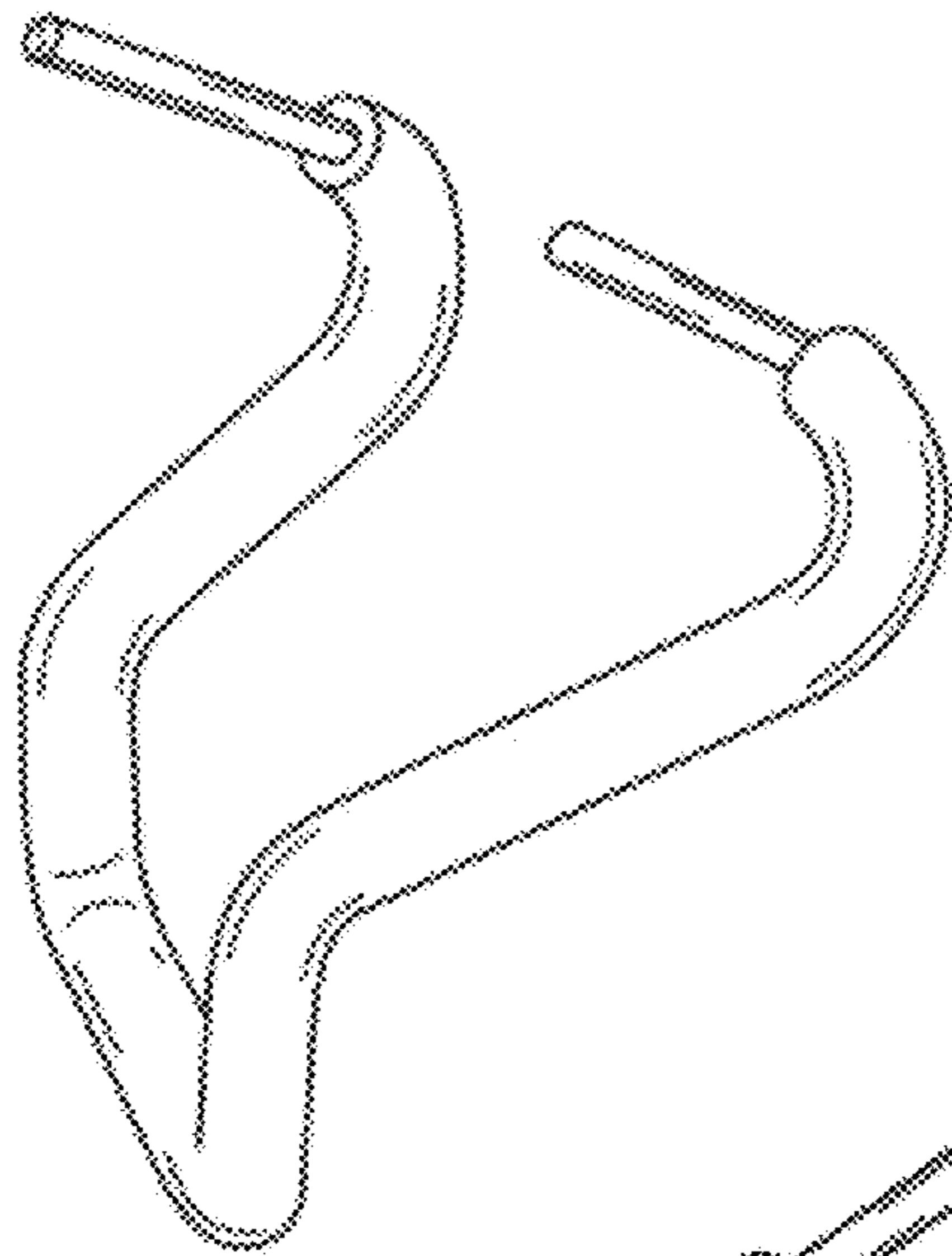


FIG. 1

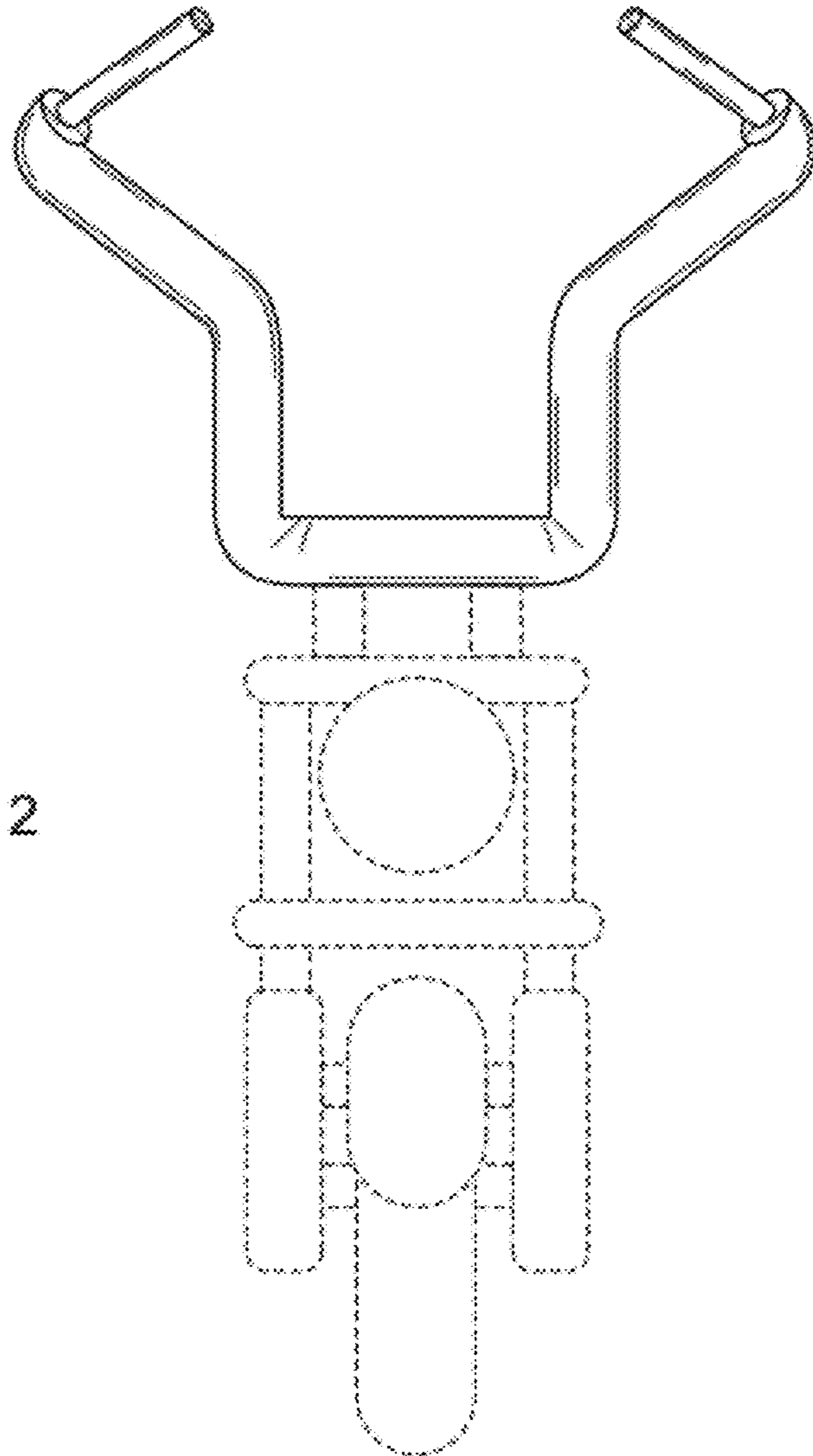


FIG. 2

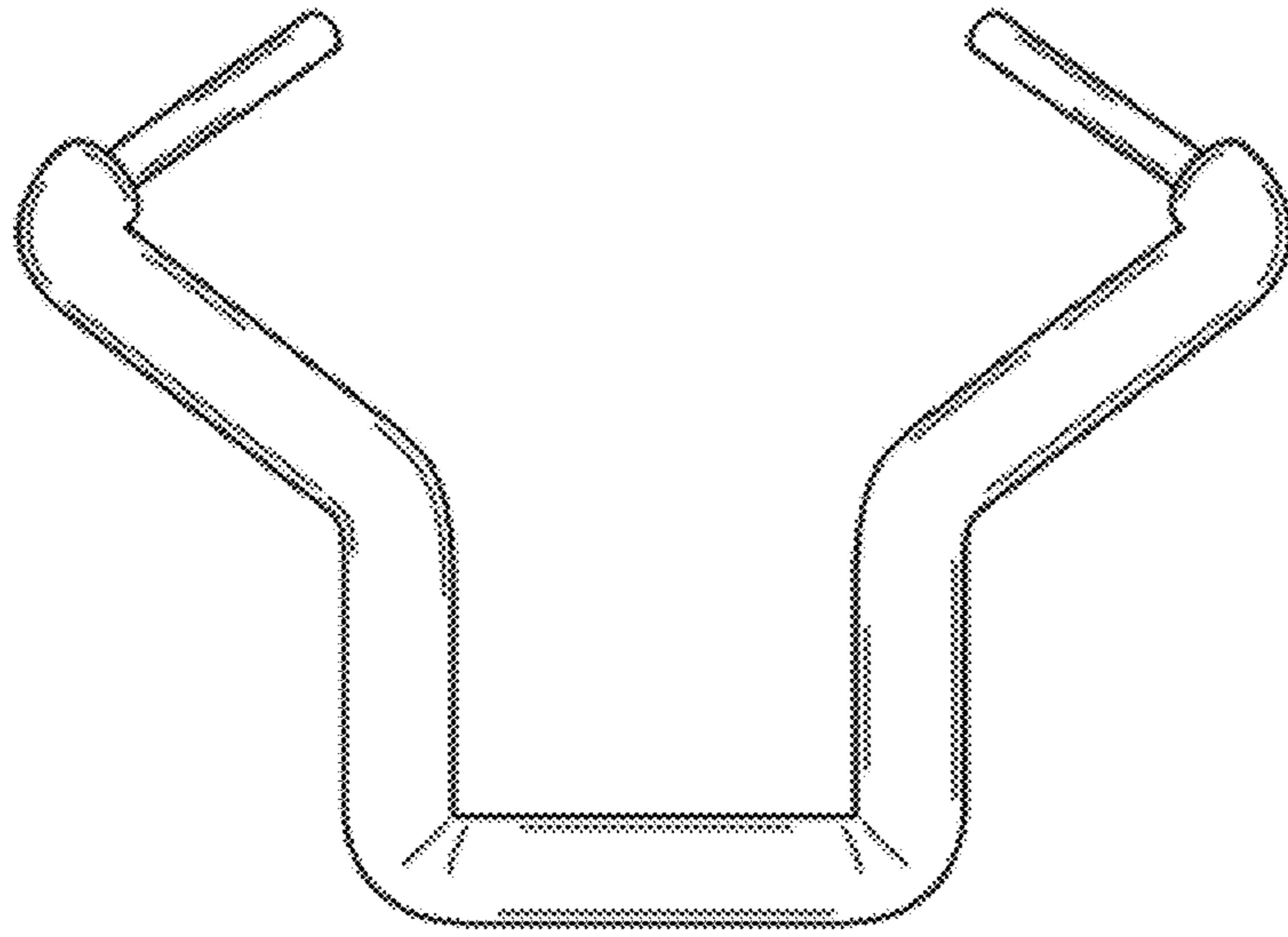


FIG. 3

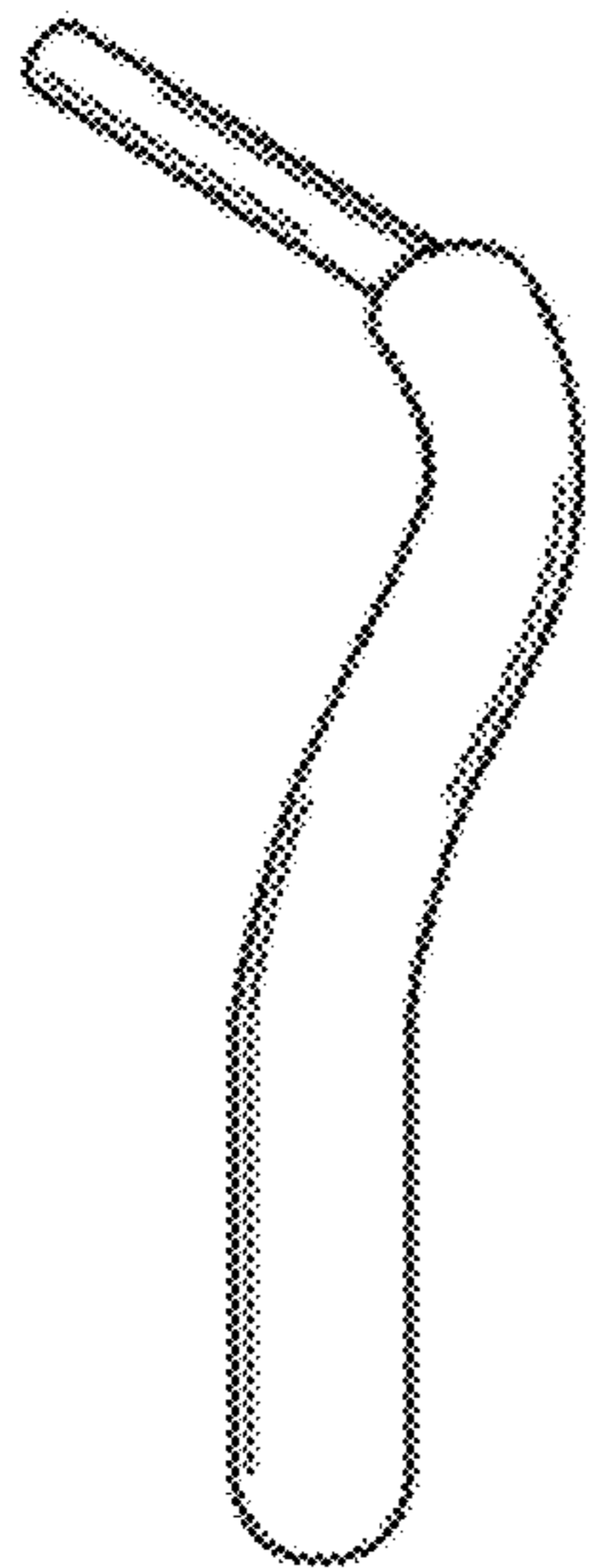


FIG. 4

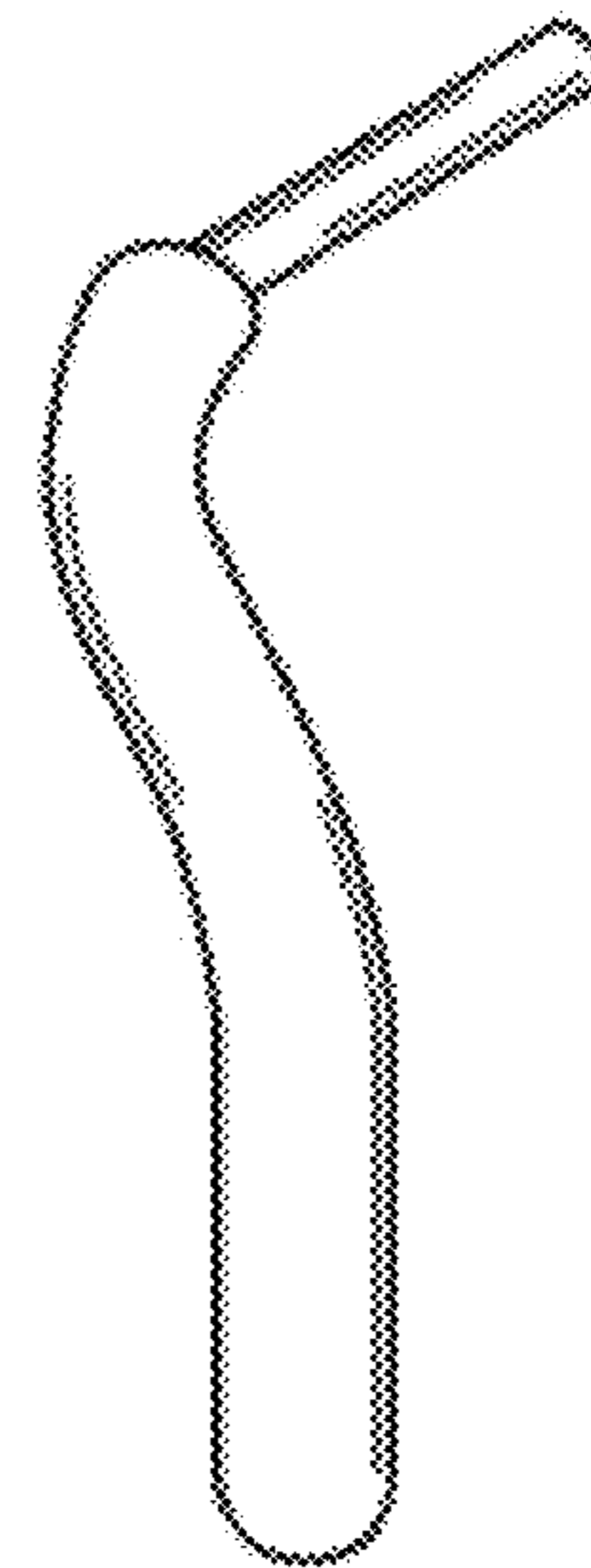


FIG. 5

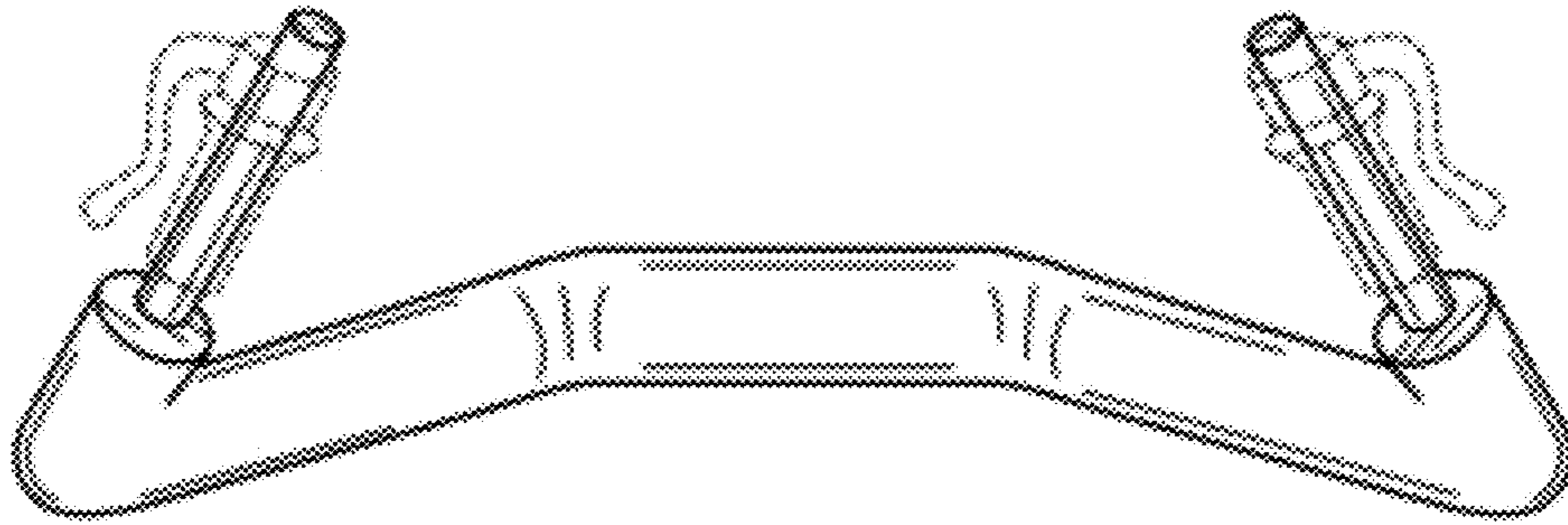


FIG. 6

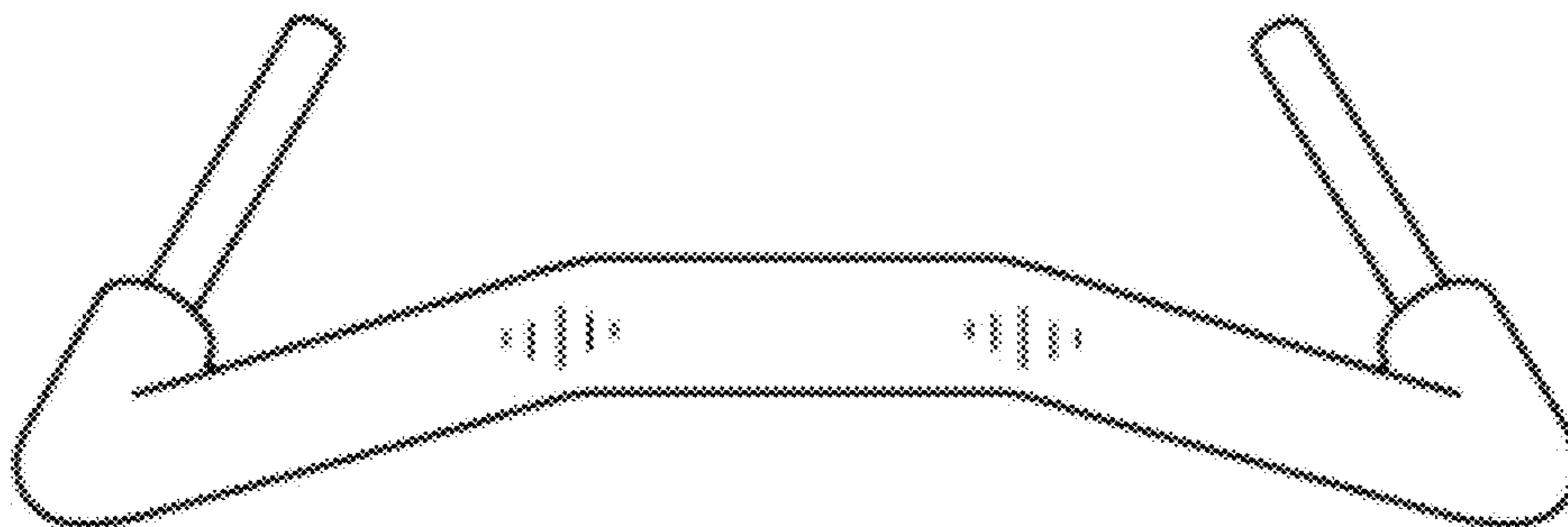


FIG. 7