

US00D664078S

(12) **United States Design Patent**  
**Futschik et al.**

(10) **Patent No.:** **US D664,078 S**  
(45) **Date of Patent:** **\*\* Jul. 24, 2012**

(54) **FRONT PORTION OF A VEHICLE, TOY,  
AND/OR OTHER REPLICAS**

(75) Inventors: **Hans-Dieter Futschik**, Gechingen (DE);  
**Steffen Koehl**, Stuttgart (DE); **Frank  
Pfisterer**, Weil der Stadt (DE); **Gorden  
Wagener**, Stuttgart (DE); **Fan Zhang**,  
Boeblingen (DE)

(73) Assignee: **Daimler AG**, Stuttgart (DE)

(\*\*) Term: **14 Years**

(21) Appl. No.: **29/347,488**

(22) Filed: **Feb. 4, 2010**

(30) **Foreign Application Priority Data**

Aug. 5, 2009 (EM) ..... 001157309-0003

(51) **LOC (9) Cl.** ..... **12-16**

(52) **U.S. Cl.** ..... **D12/164**

(58) **Field of Classification Search** ..... D12/86,  
D12/90-92, 164; D21/433, 434; 296/181.1,  
296/181.5

See application file for complete search history.

(56) **References Cited**

**U.S. PATENT DOCUMENTS**

D587,637 S 3/2009 Pfeiffer  
D588,499 S 3/2009 Pfeiffer  
D589,413 S 3/2009 Pfeiffer  
D594,393 S 6/2009 Pfeiffer

D627,274 S \* 11/2010 Bauer et al. .... D12/164  
D634,678 S \* 3/2011 Futschik et al. .... D12/164  
D635,059 S \* 3/2011 Futschik et al. .... D12/92  
D635,898 S \* 4/2011 Baur et al. .... D12/164

\* cited by examiner

*Primary Examiner* — Melody N Brown

(74) *Attorney, Agent, or Firm* — Crowell & Moring LLP

(57) **CLAIM**

The ornamental design for a front portion of a vehicle, toy,  
and/or other replicas, as shown and described.

**DESCRIPTION**

This application contains subject matter related to the follow-  
ing co-pending applications:

Application Ser. No. 29/347,486, filed herewith and entitled  
“Vehicle, Toy, and/or Other Replicas”;

Application Ser. No. 29/347,484, filed herewith and entitled  
“Front Bumper for a Vehicle”; and

Application Ser. No. 29/347,485, filed herewith and entitled  
“Radiator Grill for a Vehicle”.

FIG. 1 is a left, front perspective view of a front portion of a  
vehicle, toy, and/or other replicas according to our design, the  
right, front perspective view being mirror symmetrical;

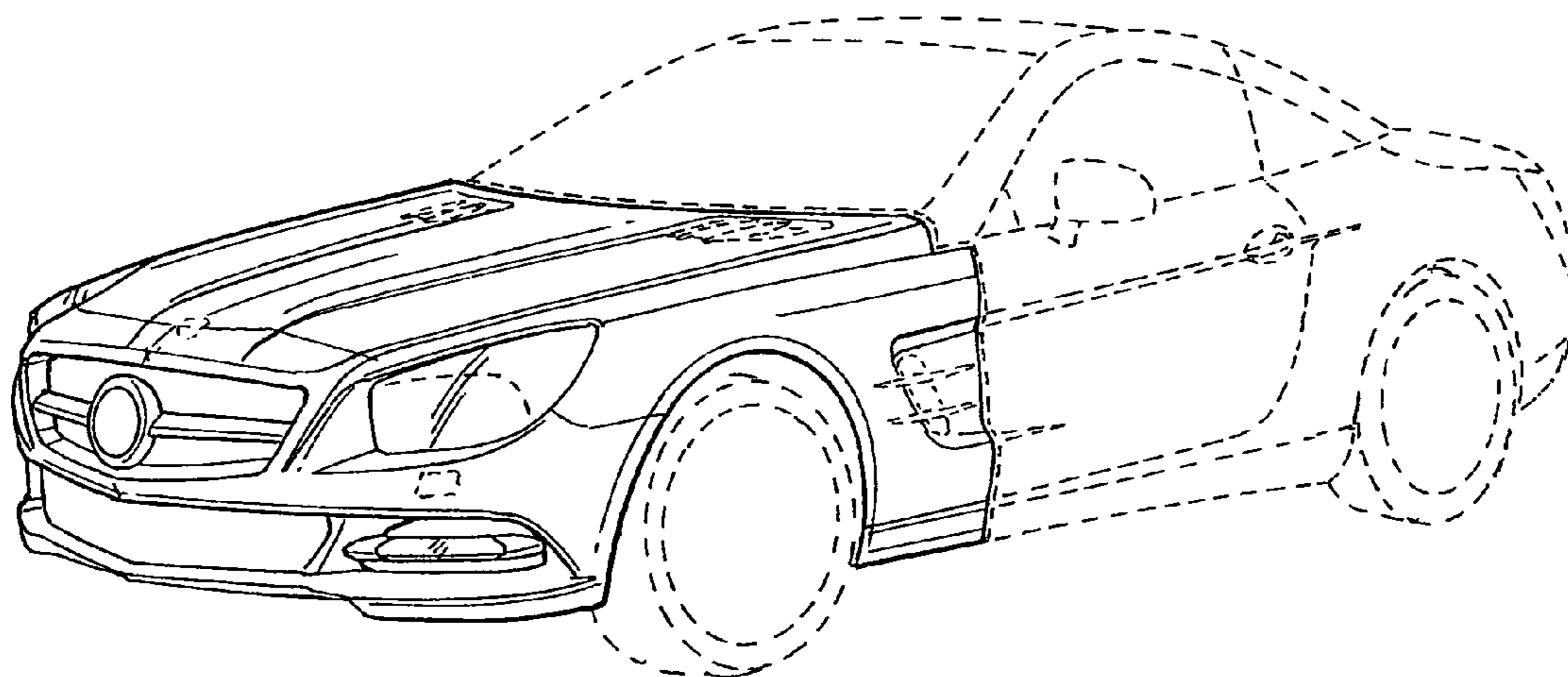
FIG. 2 is a front view thereof;

FIG. 3 is a left side view thereof, the right side view being  
mirror symmetrical; and,

FIG. 4 is a top view thereof.

The broken lines are for illustrative purposes only and form  
no part of the claimed design.

**1 Claim, 3 Drawing Sheets**



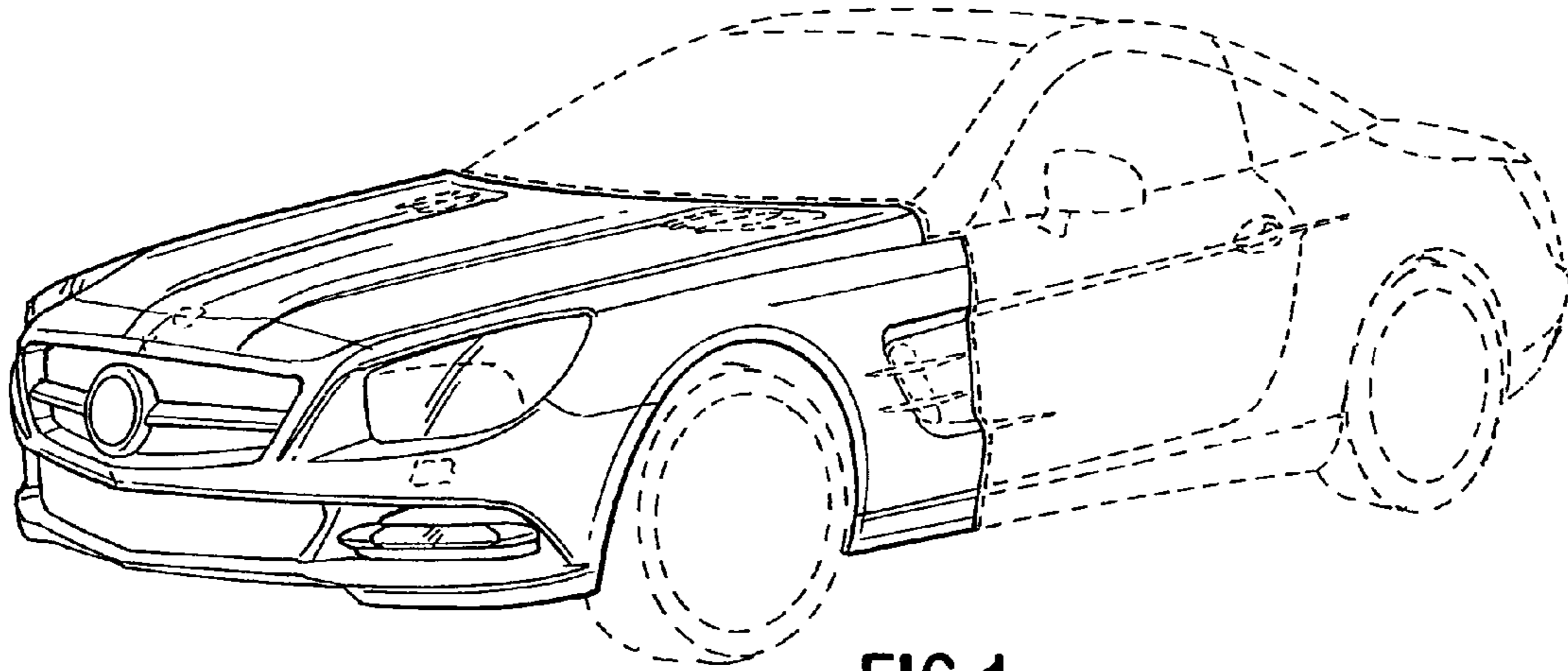


FIG. 1

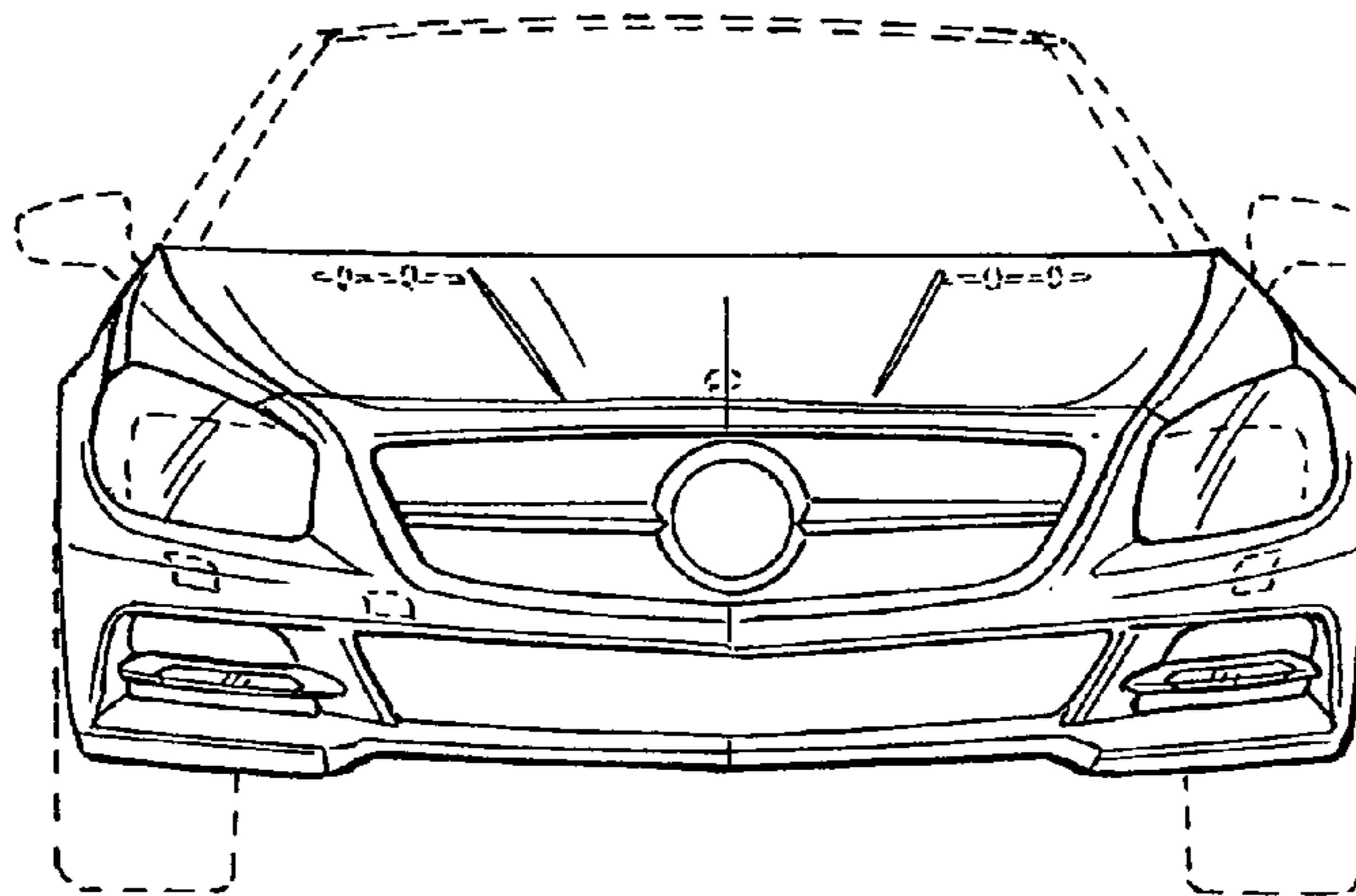


FIG. 2

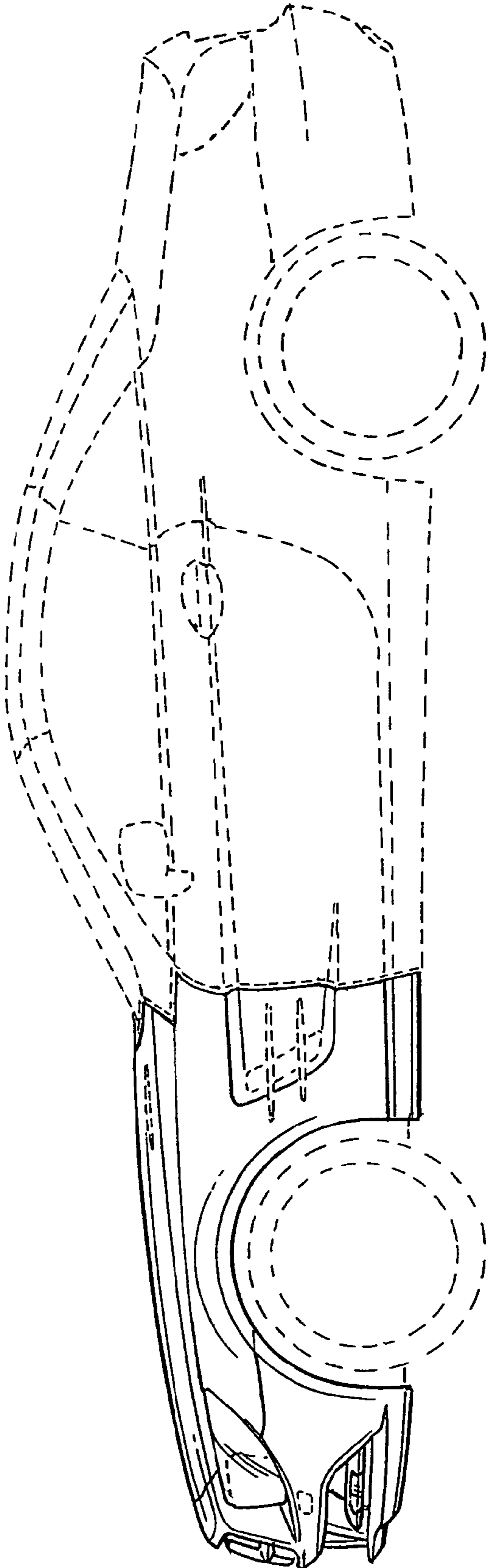


FIG. 3

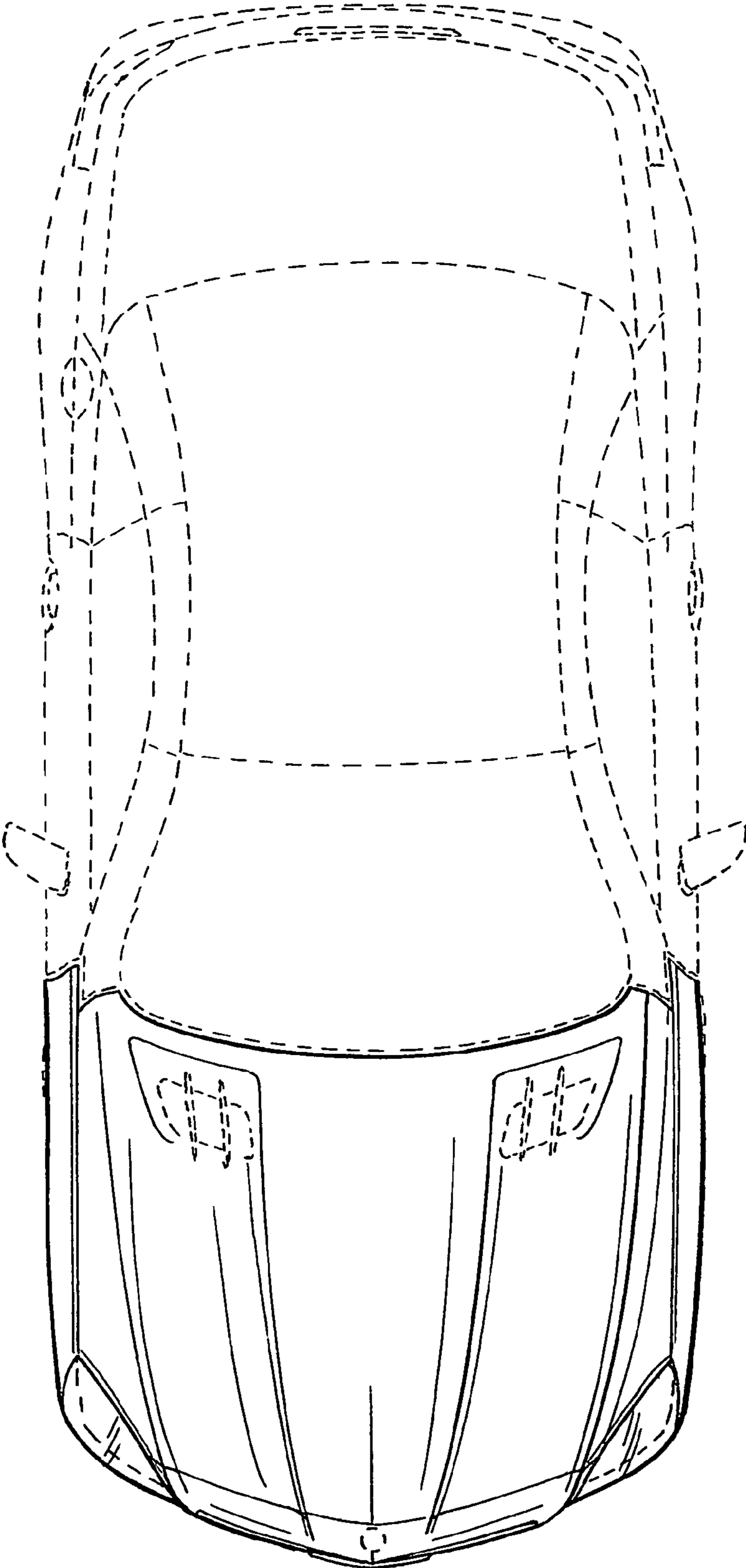


FIG. 4