



US00D664077S

(12) **United States Design Patent**
Dorsey

(10) **Patent No.:** **US D664,077 S**

(45) **Date of Patent:** **** Jul. 24, 2012**

(54) **CONNECTION ADAPTER**

(76) Inventor: **Earl Dorsey**, Bellwood, IL (US)

(**) Term: **14 Years**

(21) Appl. No.: **29/368,523**

(22) Filed: **Aug. 25, 2010**

(51) **LOC (9) Cl.** **12-16**

(52) **U.S. Cl.** **D12/162**

(58) **Field of Classification Search** D12/159,
D12/160, 161, 162; 56/DIG. 14; 280/406.2,
280/407, 407.1, 408, 411.1, 416.1, 416.2,
280/416.3, 418, 418.1, 433, 434, 435, 441.1,
280/441.2, 455.1, 456.1, 480, 493, 504, 508,
280/511; 37/399; 172/47

See application file for complete search history.

(56) **References Cited**

U.S. PATENT DOCUMENTS

1,479,182	A *	1/1924	Jeschke	280/491.5
2,873,981	A *	2/1959	Grant et al.	280/477
3,011,800	A *	12/1961	Mitsuyasu	280/482
3,580,608	A *	5/1971	Grant	280/405.1
4,593,925	A *	6/1986	Laie	280/493
5,006,032	A *	4/1991	Riedl et al.	414/458
D365,315	S *	12/1995	Parker, Jr.	D12/162

D372,001	S *	7/1996	Alford	D12/104
D384,316	S *	9/1997	Freeman, Jr.	D12/162
D444,434	S *	7/2001	Appleton	D12/162
D455,105	S *	4/2002	Lagalo	D12/162
6,755,589	B2 *	6/2004	Friesen	403/141
7,188,842	B2 *	3/2007	Thorpe	280/6.153
7,306,253	B2 *	12/2007	Markley	280/480
7,390,007	B2 *	6/2008	Helms et al.	280/491.4
2003/0132607	A1 *	7/2003	Pan	280/491.5
2011/0291385	A1 *	12/2011	Dorsey et al.	280/507

* cited by examiner

Primary Examiner — Michael Pratt

(74) *Attorney, Agent, or Firm* — Sinorica, LLC

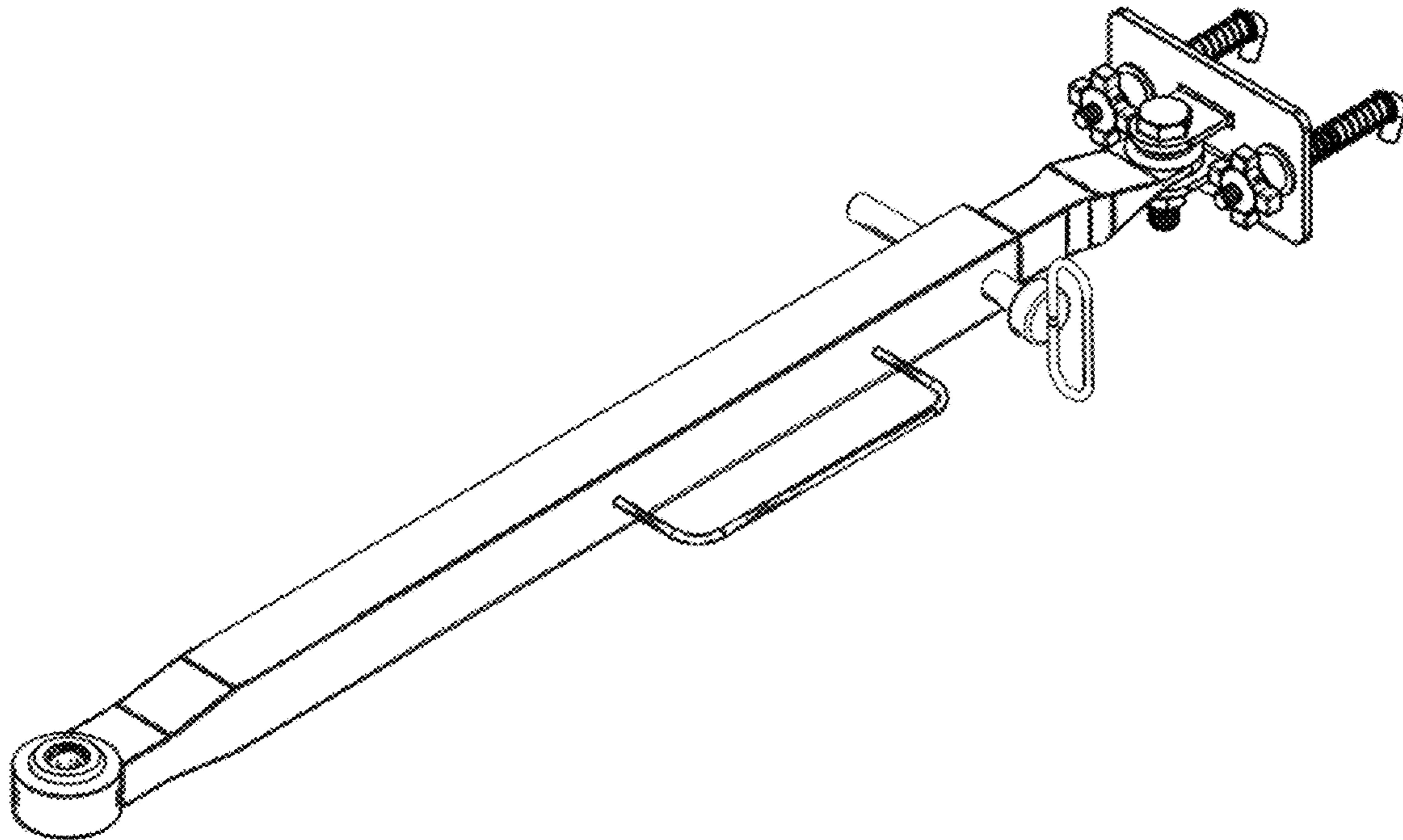
(57) **CLAIM**

The ornamental design for a connection adapter, as shown and described.

DESCRIPTION

FIG. 1 is a perspective view of a connection adapter;
FIG. 2 is a front elevational view thereof;
FIG. 3 is a rear elevational view thereof;
FIG. 4 is a left-side elevational view thereof;
FIG. 5 is a right-side elevational view thereof;
FIG. 6 is a bottom plan view thereof; and,
FIG. 7 is a top plan view thereof.

1 Claim, 4 Drawing Sheets



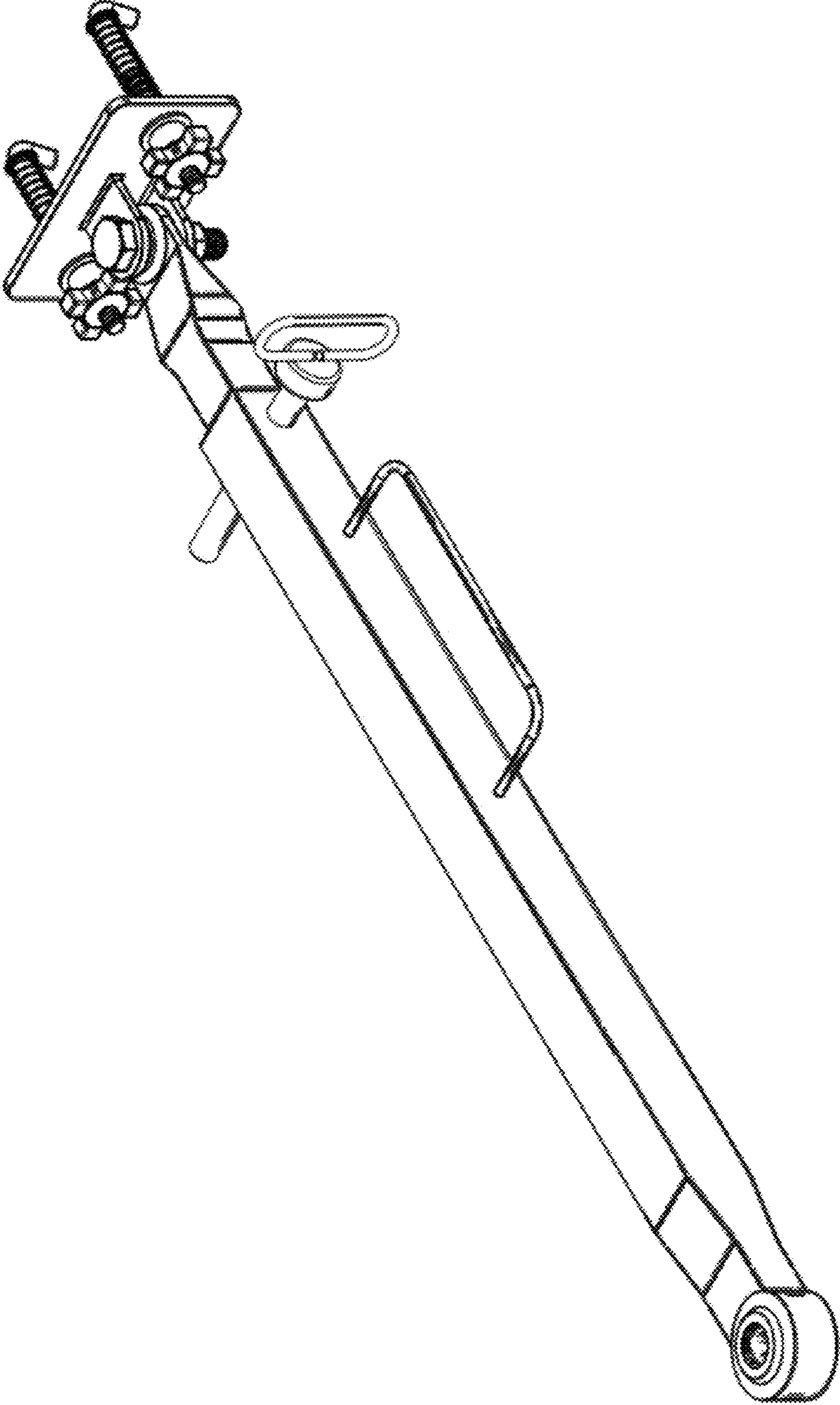


FIG. 1

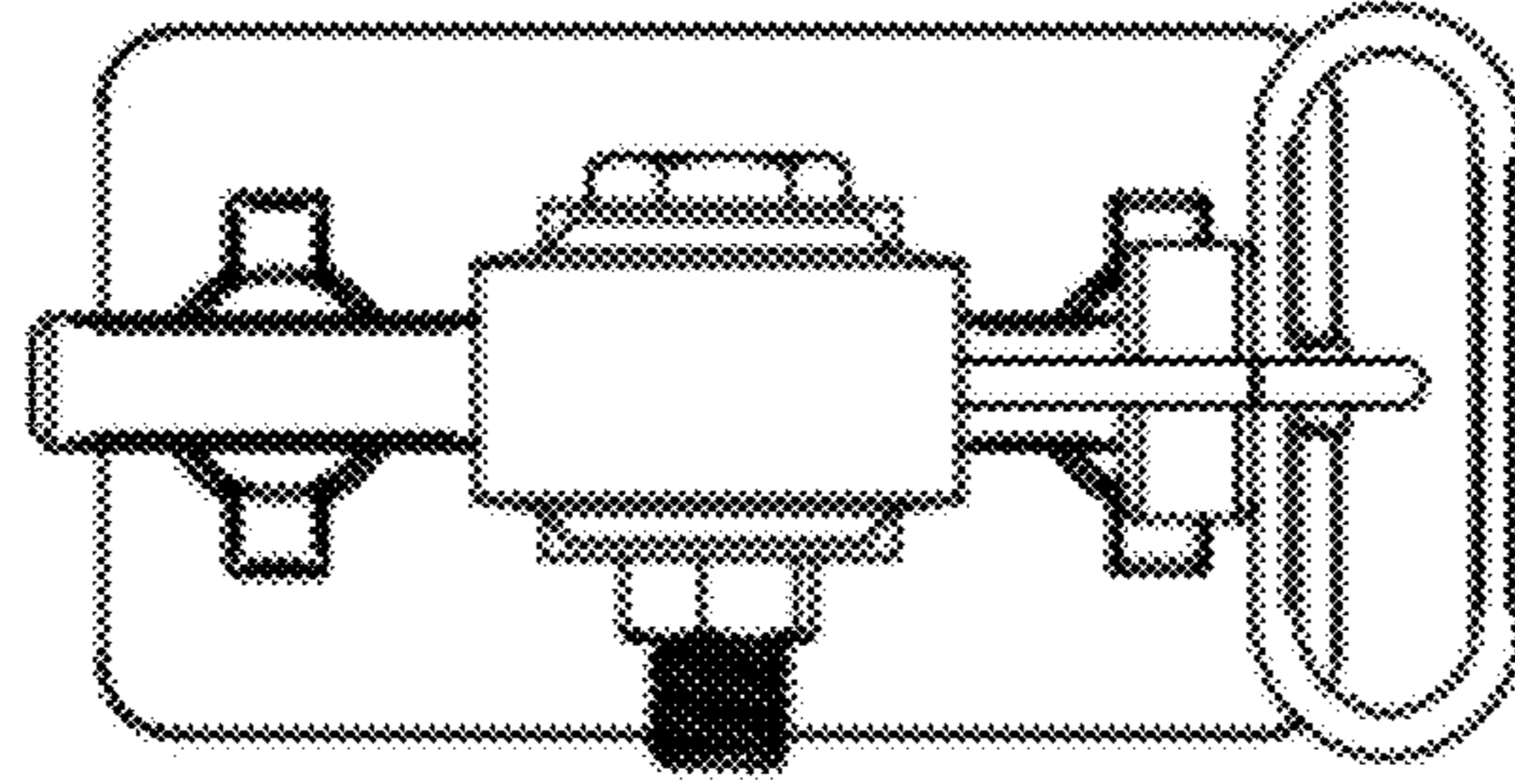


FIG. 2

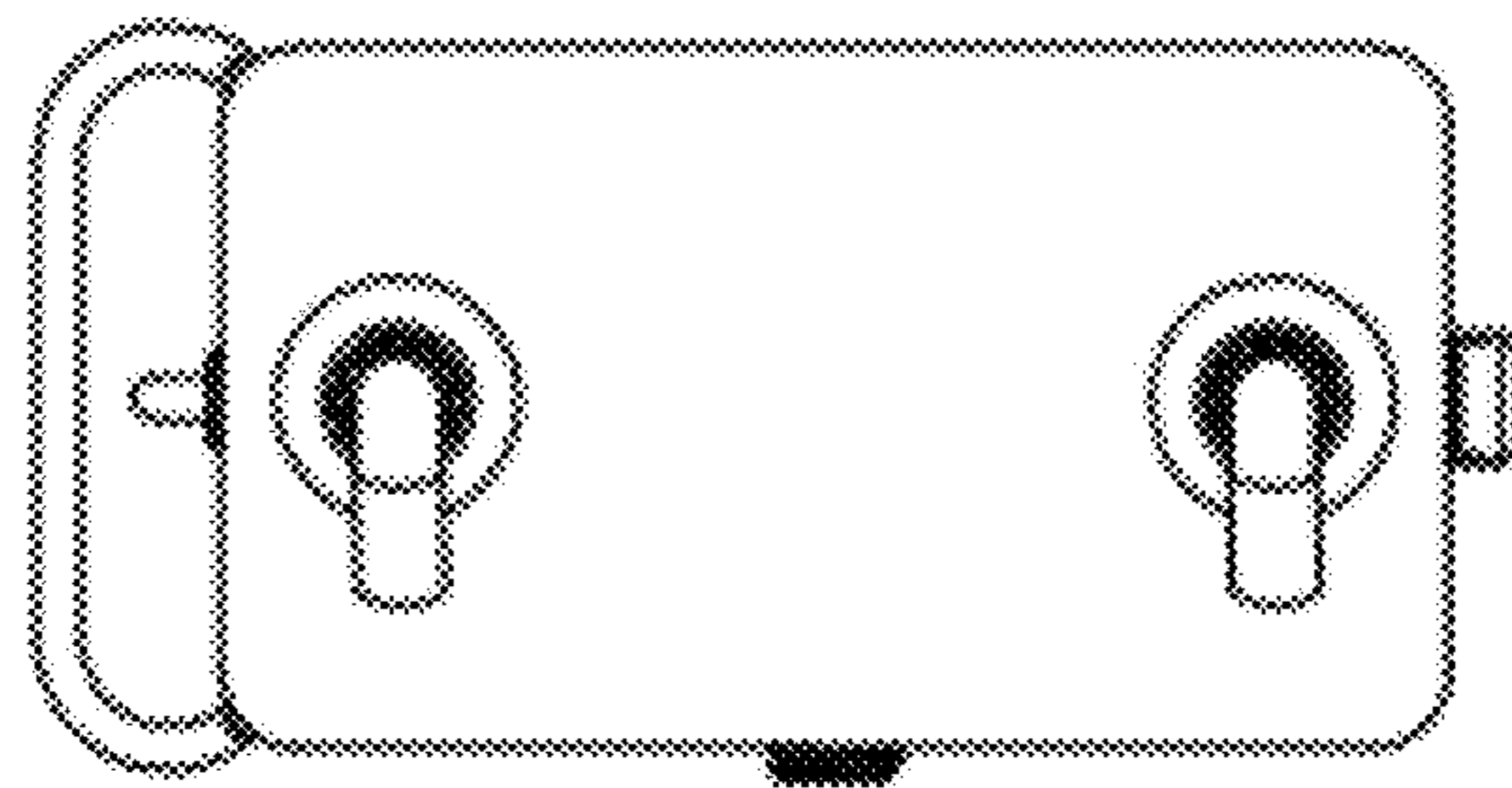


FIG. 3

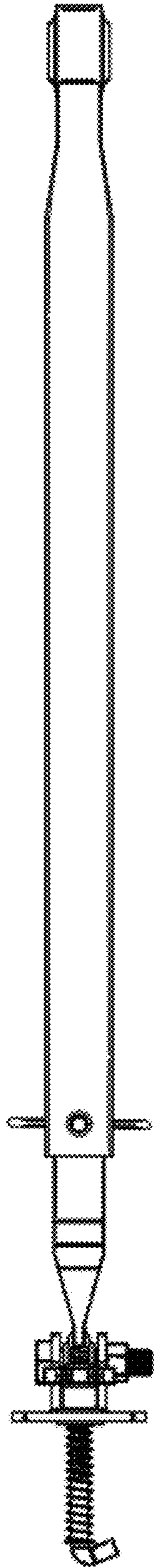


FIG. 4

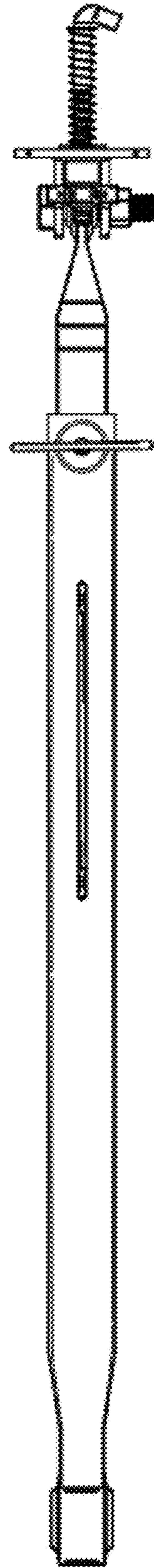


FIG. 5

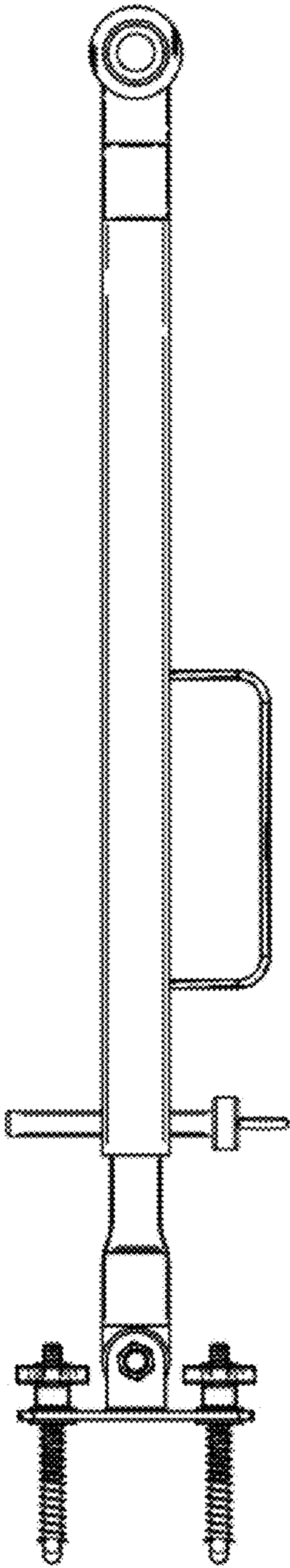


FIG. 6

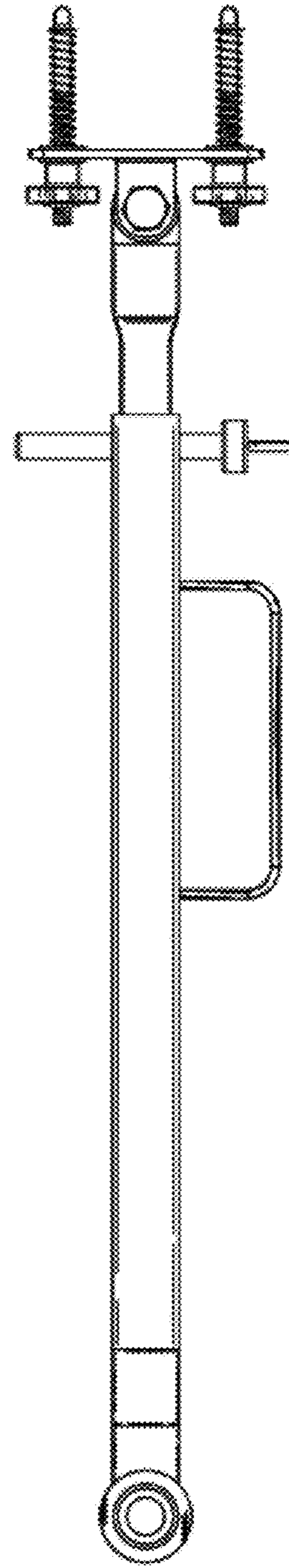


FIG. 7