



US00D664075S

(12) **United States Design Patent**  
**Felipe de Souza Araujo et al.**

(10) **Patent No.:** **US D664,075 S**  
(45) **Date of Patent:** **\*\* Jul. 24, 2012**

(54) **SUSPENSION SUPPORT**

(75) Inventors: **Joao Felipe de Souza Araujo**, Caxias do Sul (BR); **Remi Pizzeta**, Caxias do Sul (BR); **Rodrigo de Oliveira dos Reis**, Caxias do Sul (BR); **Gabriel Radaelli Piazza**, Farroupilha (BR)

(73) Assignee: **Suspensys Sistemas Automotivos Ltda.**, Caxias Do Sul Estado Do Rio Grande Do Sul (BR)

(\*\*) Term: **14 Years**

(21) Appl. No.: **29/390,791**

(22) Filed: **Apr. 29, 2011**

(30) **Foreign Application Priority Data**

Oct. 29, 2010 (BR) ..... DI7004303-5

(51) **LOC (9) Cl.** ..... **12-16**

(52) **U.S. Cl.** ..... **D12/159**

(58) **Field of Classification Search** ..... D12/159;  
280/26, 47.12, 1.193, 1.177, 680-686  
See application file for complete search history.

(56) **References Cited**

**U.S. PATENT DOCUMENTS**

3,392,988	A *	7/1968	Marinelli	.....	280/781
4,502,707	A *	3/1985	Jable et al.	.....	280/682
6,206,407	B1 *	3/2001	Fuchs et al.	.....	280/686
6,604,756	B2 *	8/2003	Simard et al.	.....	280/676
7,178,816	B2 *	2/2007	Chan et al.	.....	280/124.116
8,052,166	B2 *	11/2011	Noble et al.	.....	280/681

\* cited by examiner

*Primary Examiner* — Michael A Pratt

(74) *Attorney, Agent, or Firm* — Amster Rothstein & Ebenstein LLP

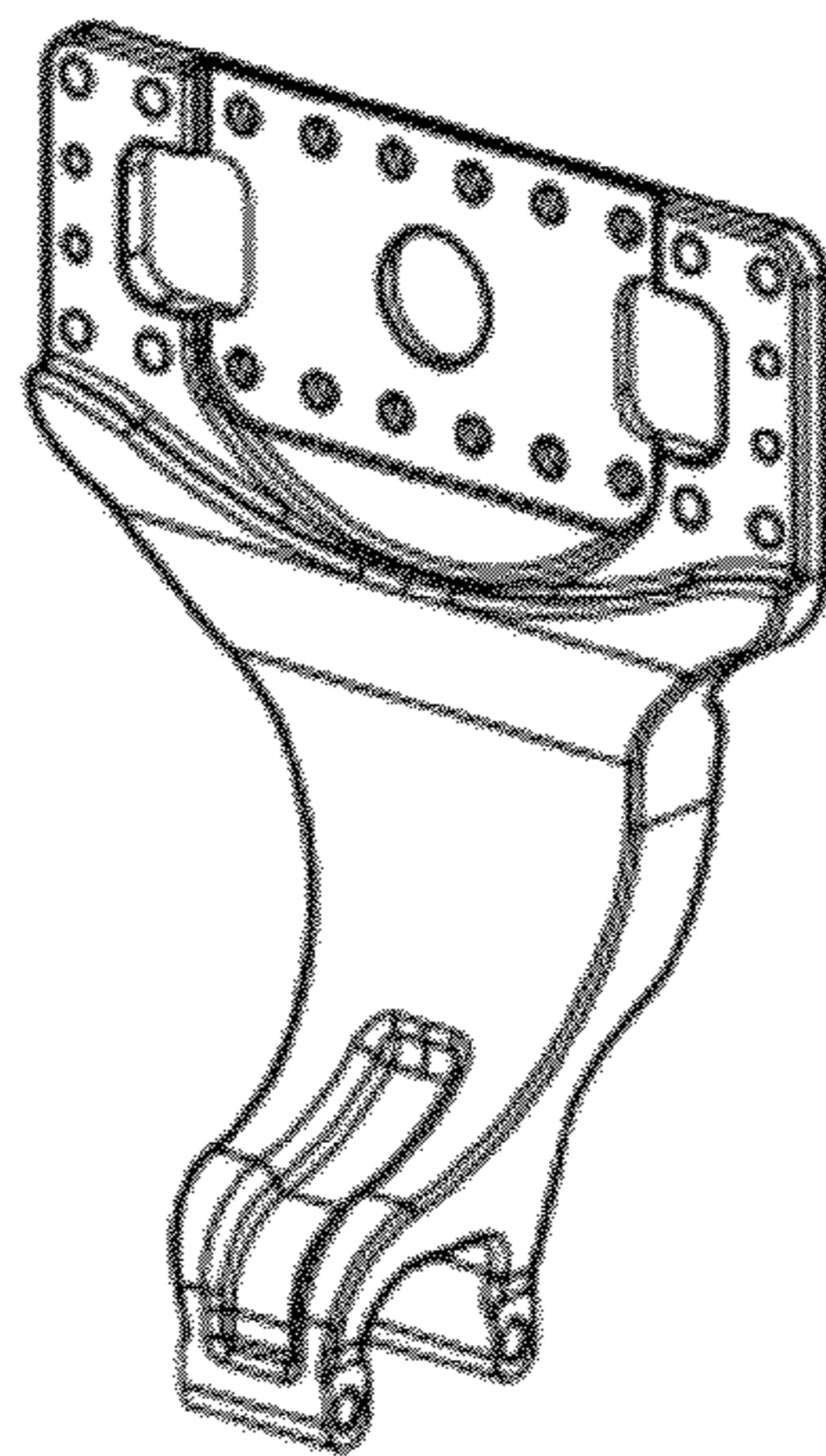
(57) **CLAIM**

The ornamental design for a suspension support, as shown and described.

**DESCRIPTION**

FIG. 1 shows a perspective view of the suspension support of our new design;  
 FIG. 2 shows a front view thereof;  
 FIG. 3 shows a rear view thereof;  
 FIG. 4 shows a bottom view thereof;  
 FIG. 5 shows a top view thereof;  
 FIG. 6 shows a right view thereof;  
 FIG. 7 shows a left view thereof;  
 FIG. 8 shows a perspective view of a second embodiment of our new design;  
 FIG. 9 shows a front view of a second embodiment of our new design;  
 FIG. 10 shows a rear view of a second embodiment of our new design;  
 FIG. 11 shows a bottom view of a second embodiment of our new design;  
 FIG. 12 shows a top view of a second embodiment of our new design;  
 FIG. 13 shows a right view of a second embodiment of our new design; and,  
 FIG. 14 shows a left view of a second embodiment of our new design.

**1 Claim, 2 Drawing Sheets**



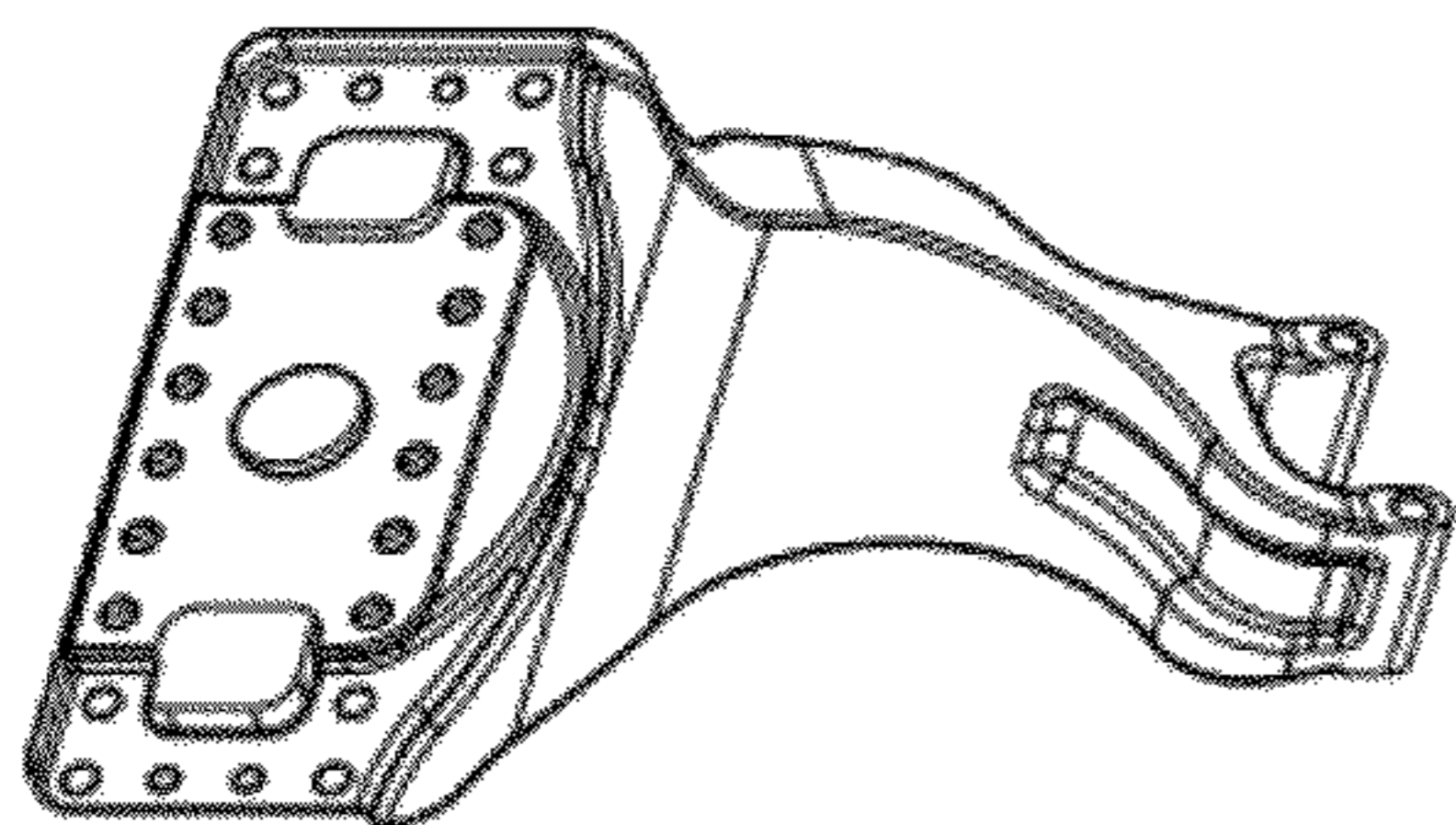


Fig. 1

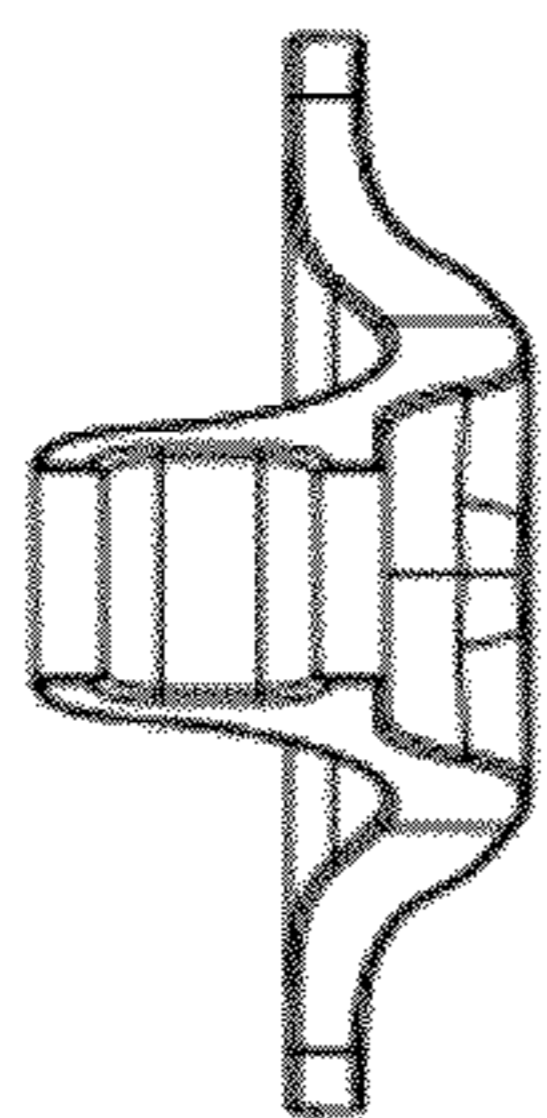


Fig. 4

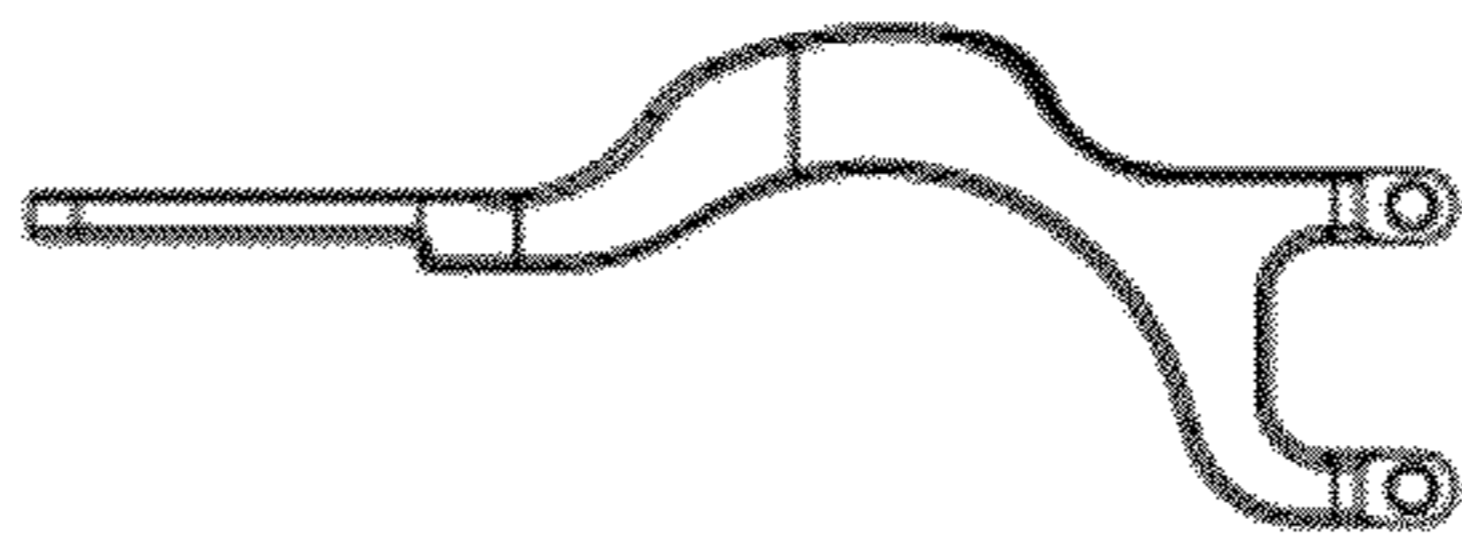


Fig. 6

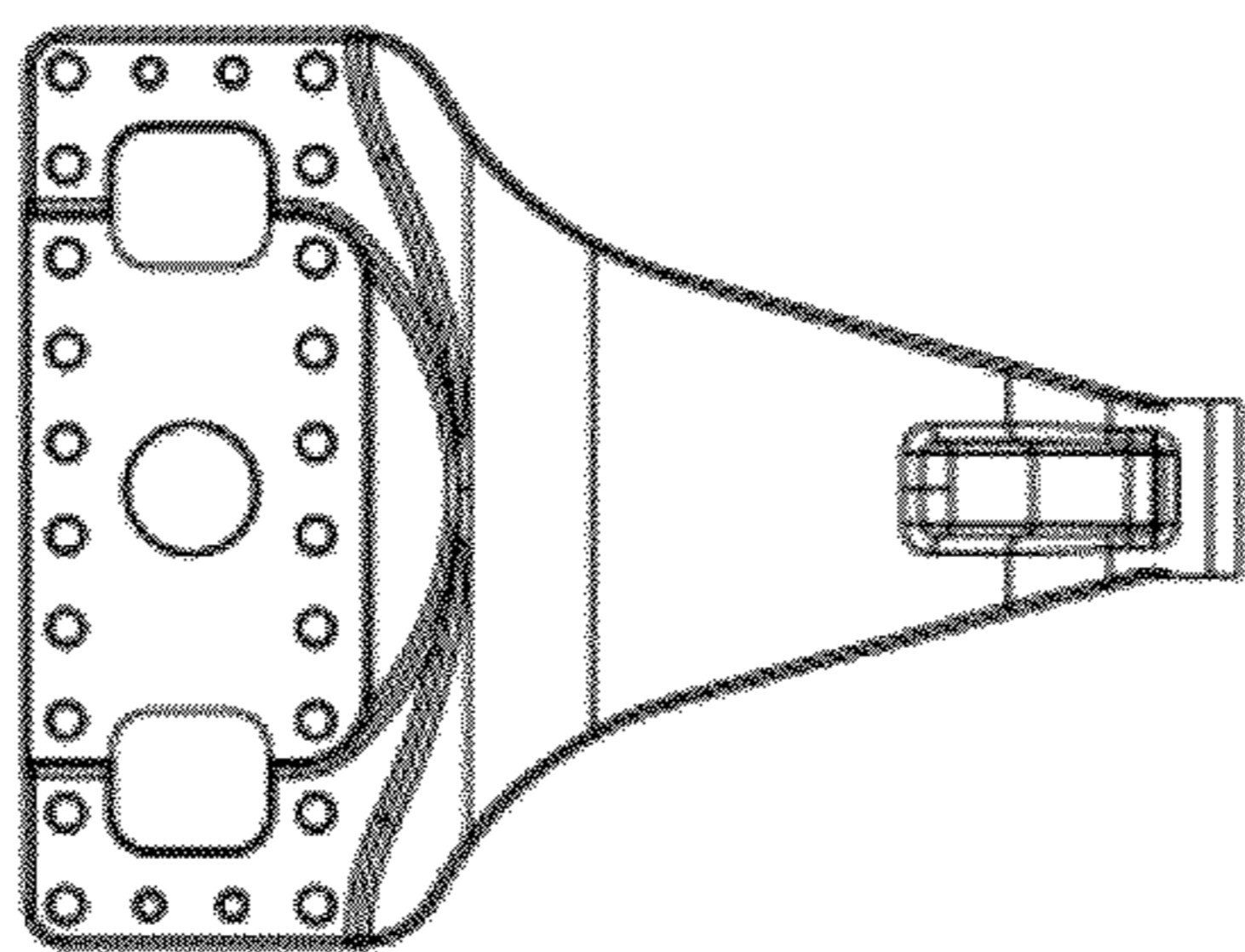


Fig. 2

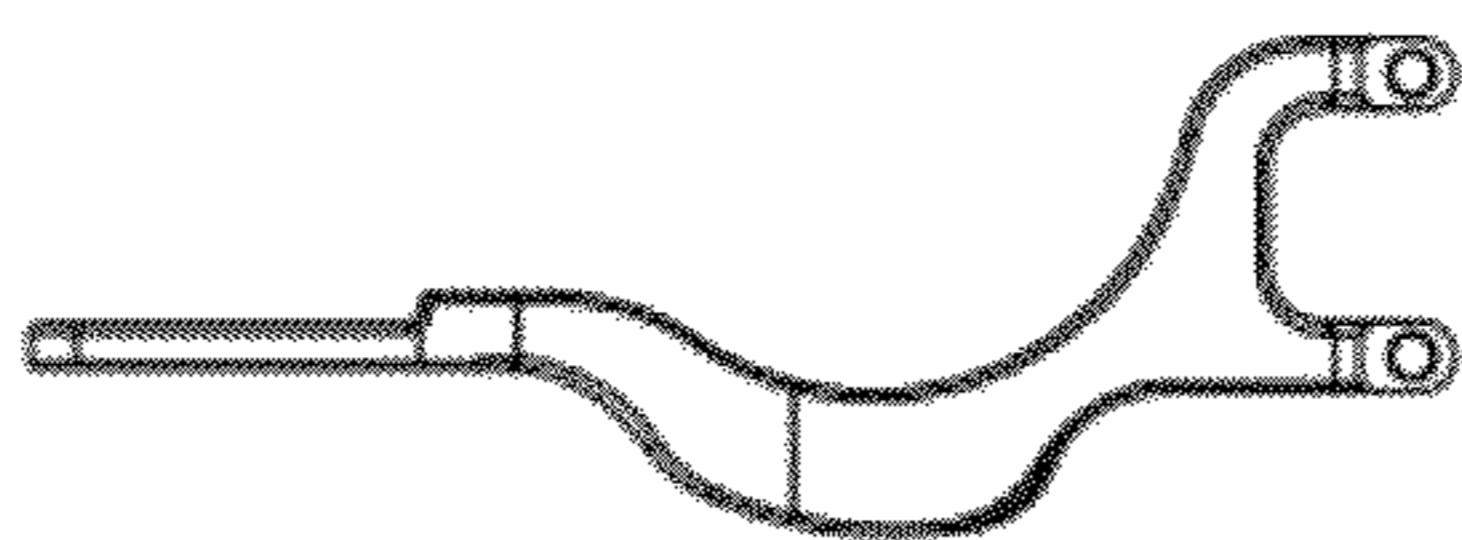


Fig. 7

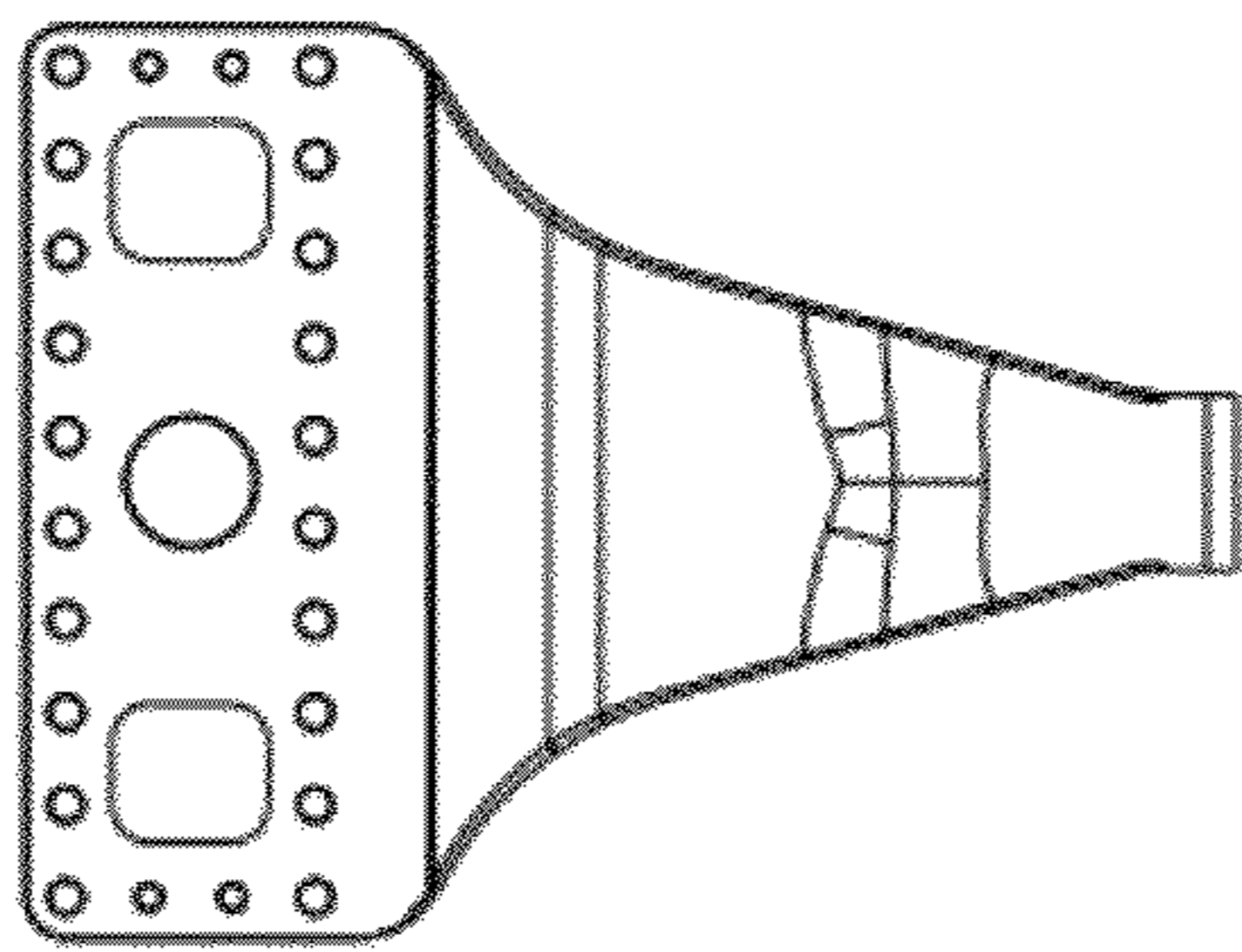


Fig. 3

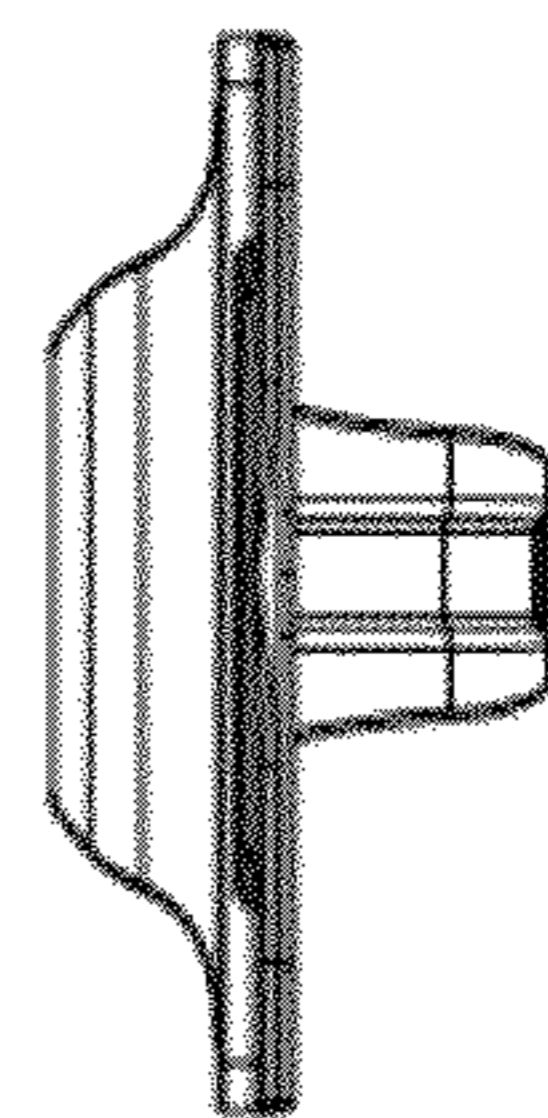


Fig. 5

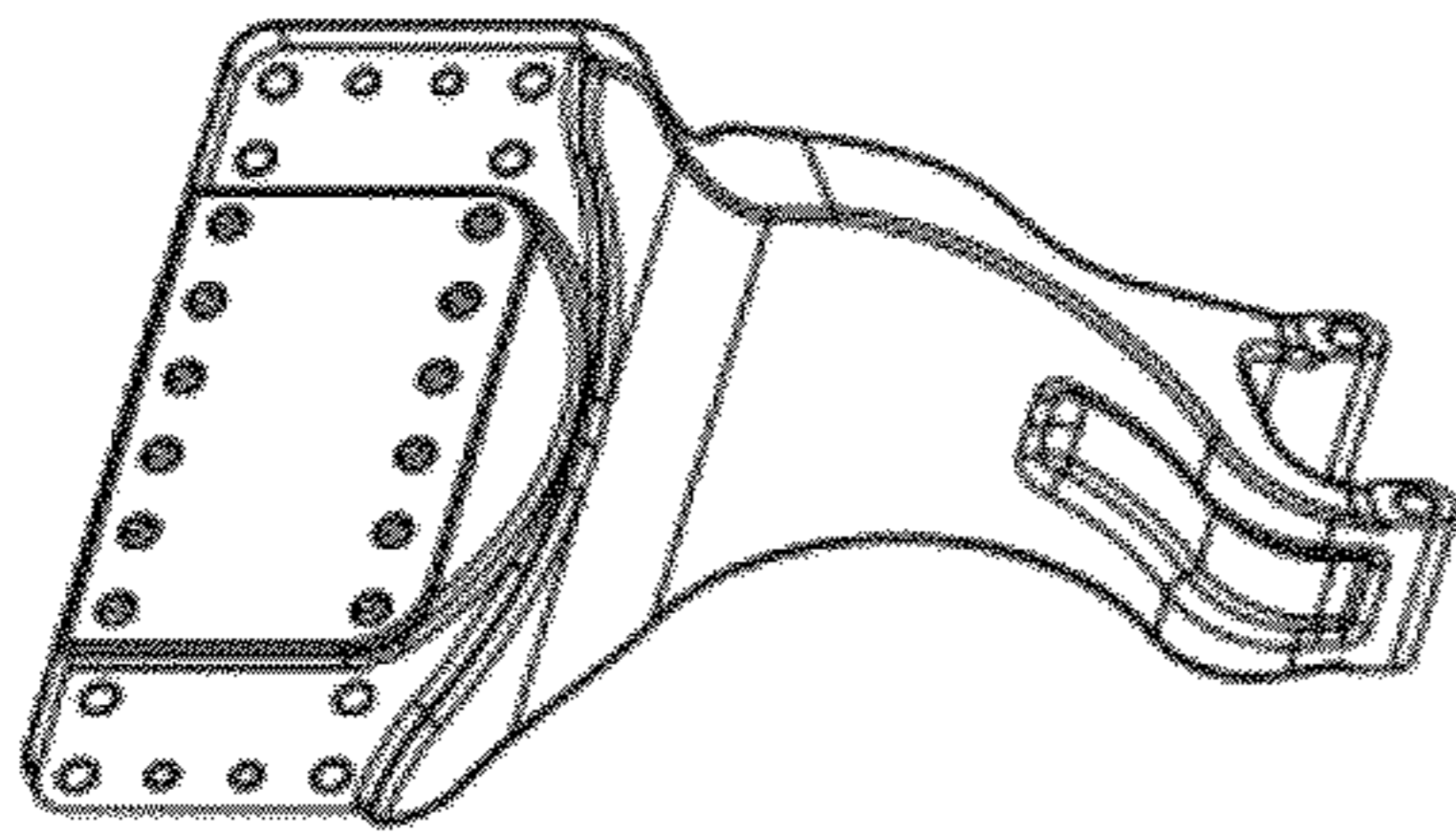


Fig. 8

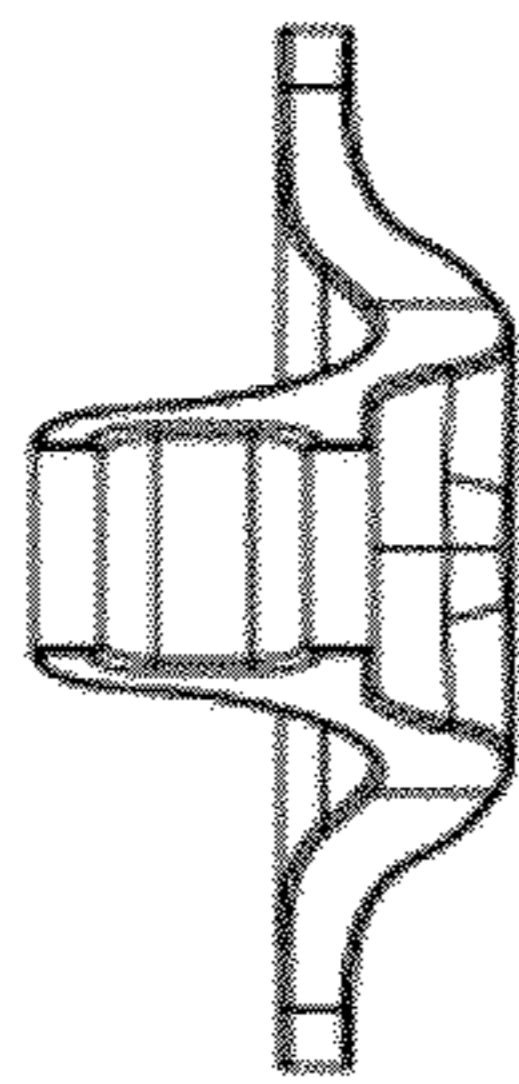


Fig. 11

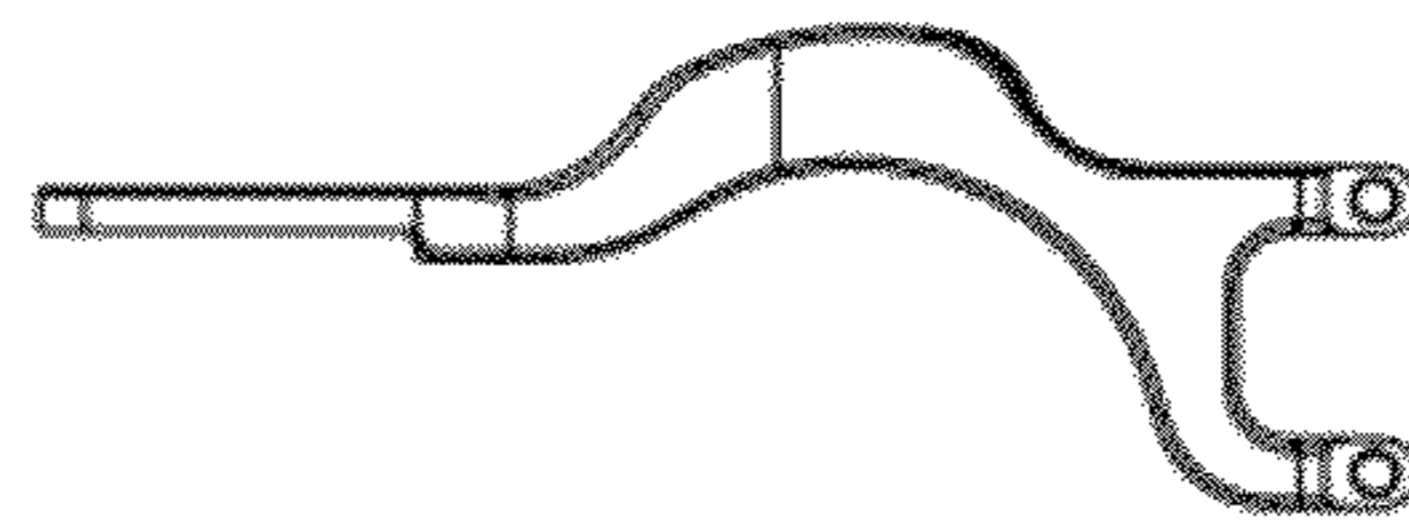


Fig. 13

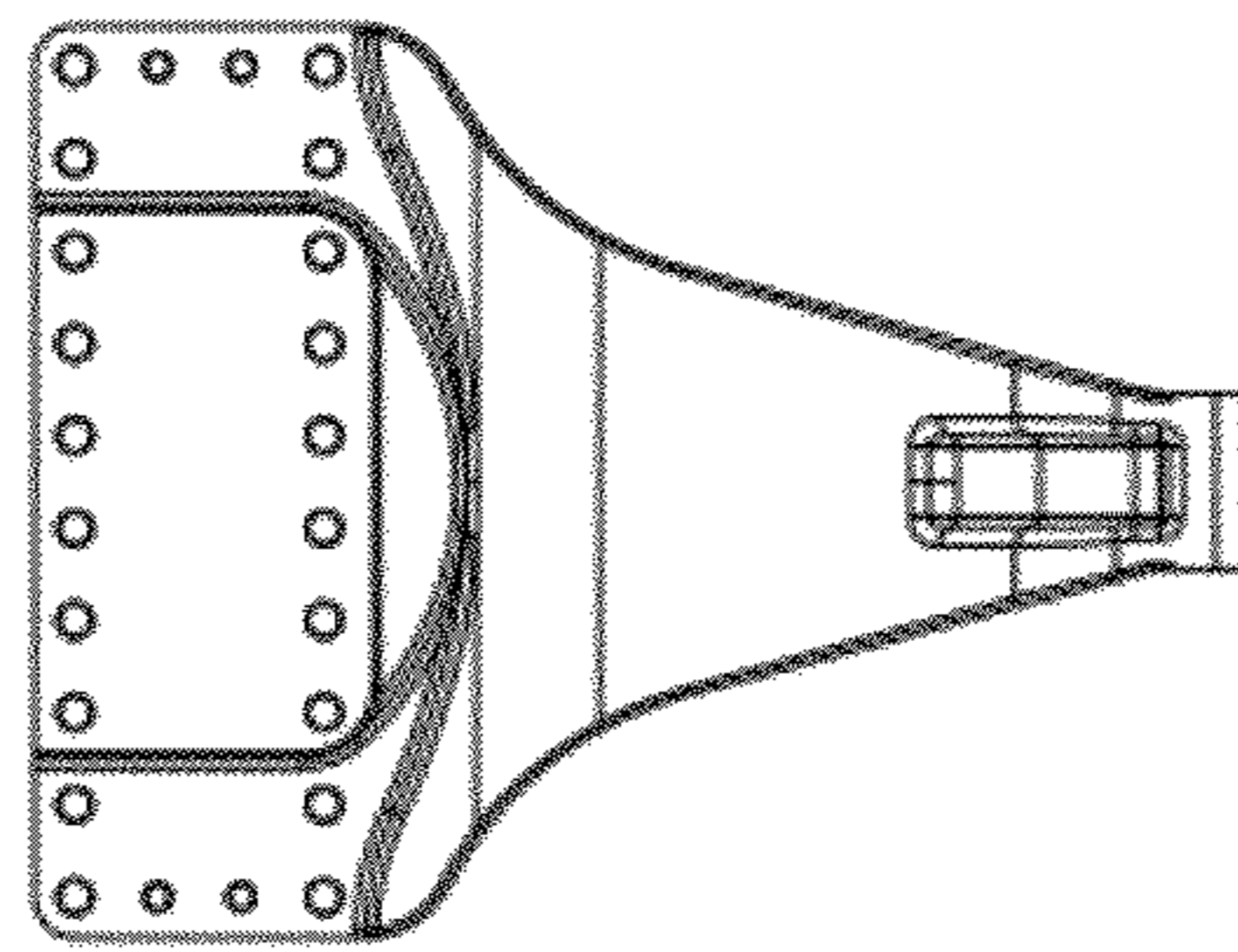


Fig. 9

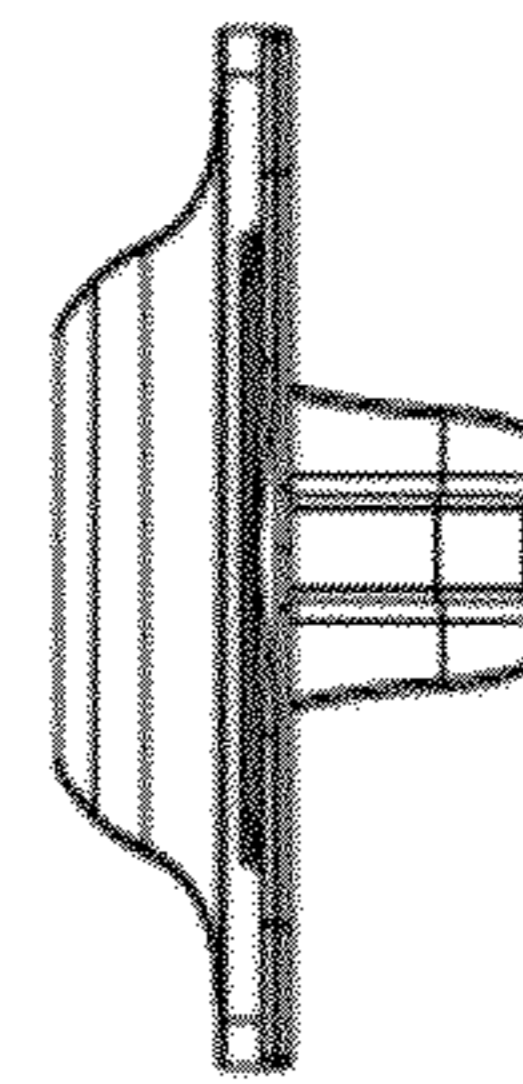


Fig. 12

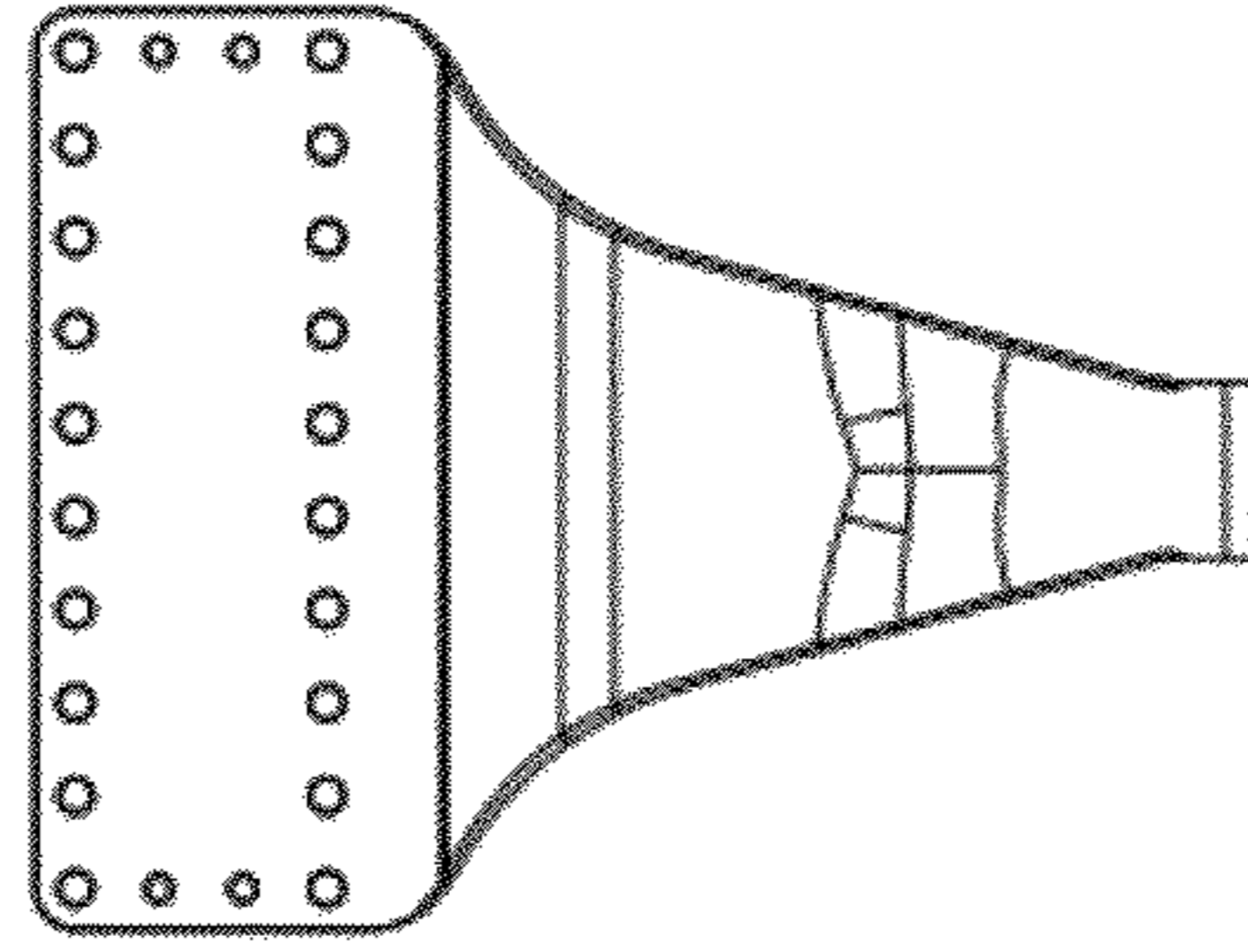


Fig. 10

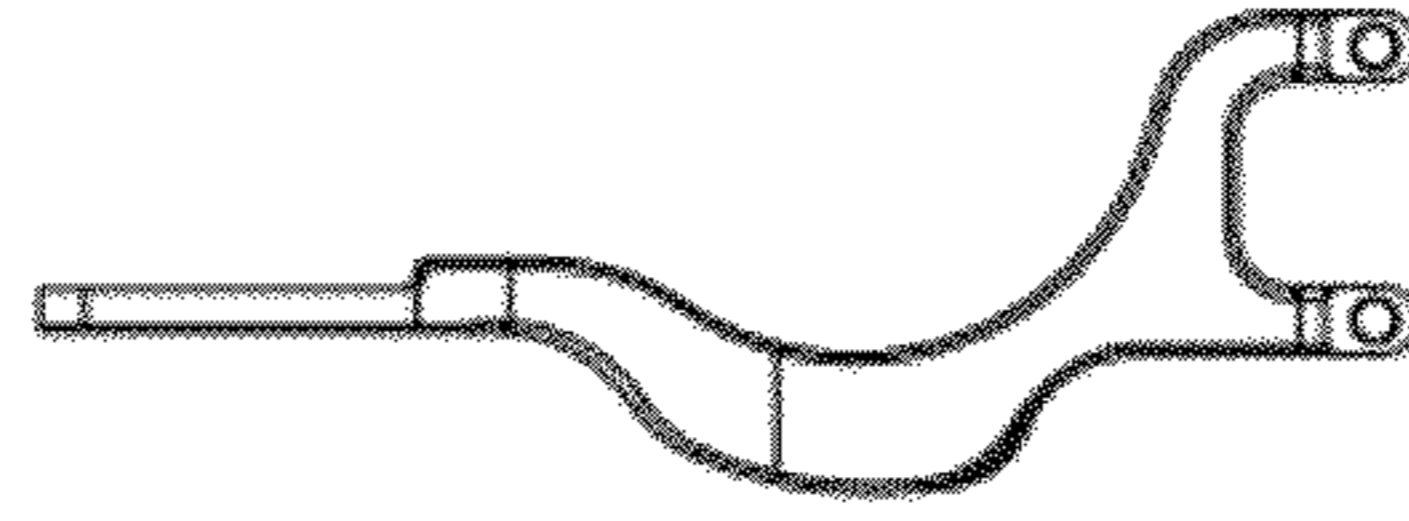


Fig. 14