



US00D664072S

(12) **United States Design Patent**
Halloran

(10) **Patent No.:** **US D664,072 S**

(45) **Date of Patent:** **** Jul. 24, 2012**

(54) **TRAILER**

(76) Inventor: **Kelvin Halloran**, Torquay (GB)

(**) Term: **14 Years**

(21) Appl. No.: **29/414,590**

(22) Filed: **Feb. 29, 2012**

(51) **LOC (9) Cl.** **12-10**

(52) **U.S. Cl.** **D12/102**

(58) **Field of Classification Search** D12/19,
D12/129, 100-106, 111-112; D21/425,
D21/435; D34/21-26, 12, 16-19; 280/204,
280/205, 63, 475, 482, 647; 296/168, 180,
296/180.2, 61, 10, 100.01-100.08

See application file for complete search history.

(56) **References Cited**

U.S. PATENT DOCUMENTS

D274,896 S *	7/1984	Wilson	D12/102
D367,248 S *	2/1996	Christensen	D12/102
D379,604 S *	6/1997	DeShong et al.	D12/102
D389,785 S *	1/1998	Guzak	D12/102
D391,526 S *	3/1998	Kass et al.	D12/102
D394,619 S *	5/1998	DeShong et al.	D12/102
D507,208 S *	7/2005	Ulch	D12/102
D542,183 S *	5/2007	Van Buuren	D12/102
D544,407 S *	6/2007	Heard	D12/102
D546,245 S *	7/2007	Heard	D12/102
D603,299 S *	11/2009	Prusmack	D12/102
D625,666 S *	10/2010	Treleaven	D12/102
D653,588 S *	2/2012	Heard	D12/102

* cited by examiner

Primary Examiner — Caron D Veynar

Assistant Examiner — Katrina A Betton

(74) *Attorney, Agent, or Firm* — Crose Law LLC; Bradley D. Crose

(57) **CLAIM**

The ornamental design for a trailer, as shown and described.

DESCRIPTION

FIG. 1 is a perspective view of a trailer from one side, with the top of the trailer and the rear doors in the closed position;

FIG. 2 is a perspective view of a trailer from one rear corner, with the top of the trailer and the rear doors in the closed position;

FIG. 3 is a perspective view of a trailer from the front, with the top of the trailer and the rear doors in the closed position;

FIG. 4 is a perspective view of a trailer from above, with the top of the trailer and the rear doors in the closed position;

FIG. 5 is a perspective view of a trailer from the front, with the top of the trailer and the rear doors in the open position;

FIG. 6 is a perspective view of a trailer from the same side as in FIG. 1 side, with the top of the trailer in the open position and the rear doors in the closed position;

FIG. 7 is a perspective view of a trailer from the rear, with the top of the trailer in the open position and the rear doors in the closed position;

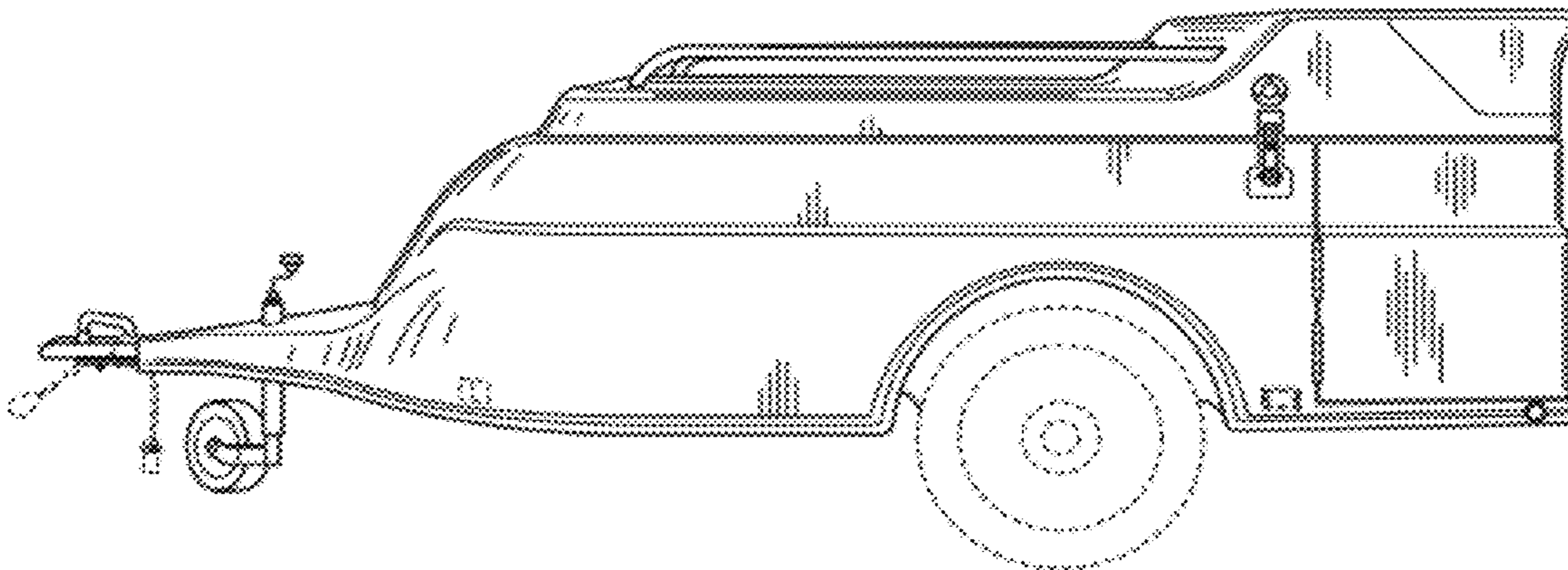
FIG. 8 is a perspective view of a trailer from the rear, with the top of the trailer in the open position, one of the rear doors in the closed position, and one of the rear doors in the closed position;

FIG. 9 is a perspective view of a trailer from the rear, with the top of the trailer and both rear doors in the open position; and,

FIG. 10 is a perspective view of a trailer from one rear corner, with the top of the trailer and both rear doors in the open position, the trailer including an awning suspended from the top of the trailer.

In the drawings, the broken lines depict portions of the article that form no part of the claim.

1 Claim, 10 Drawing Sheets



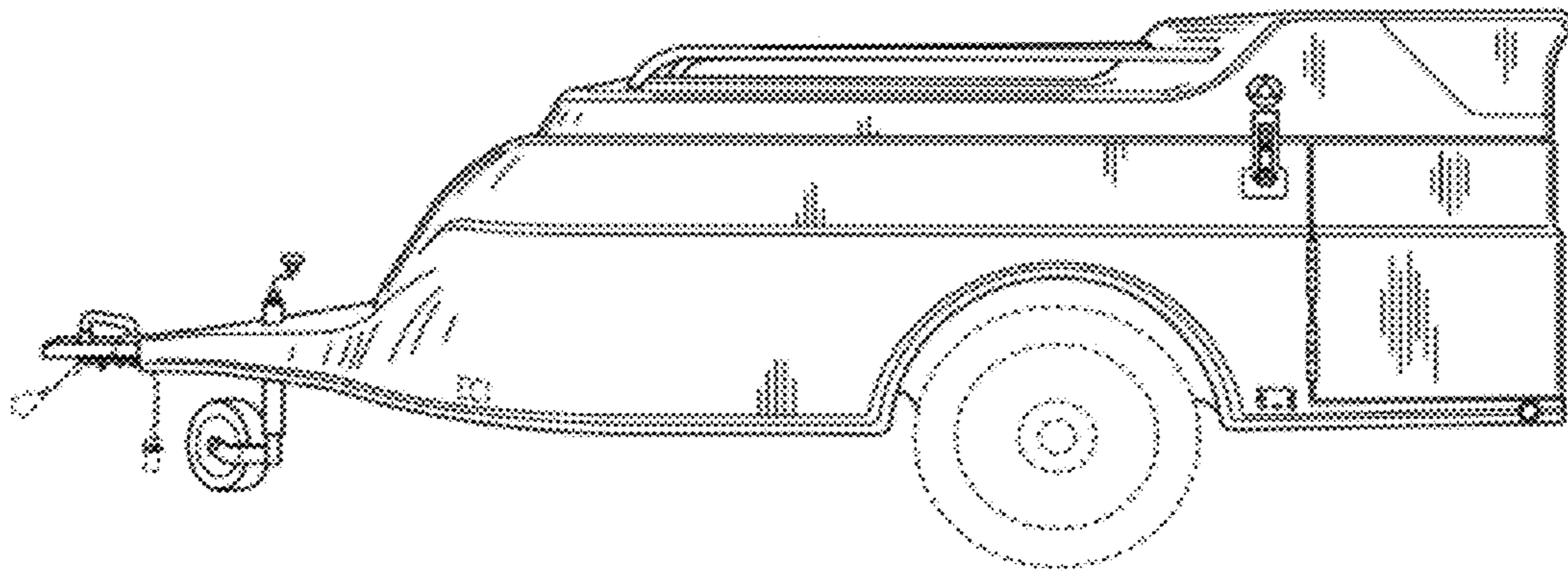


Fig. 1

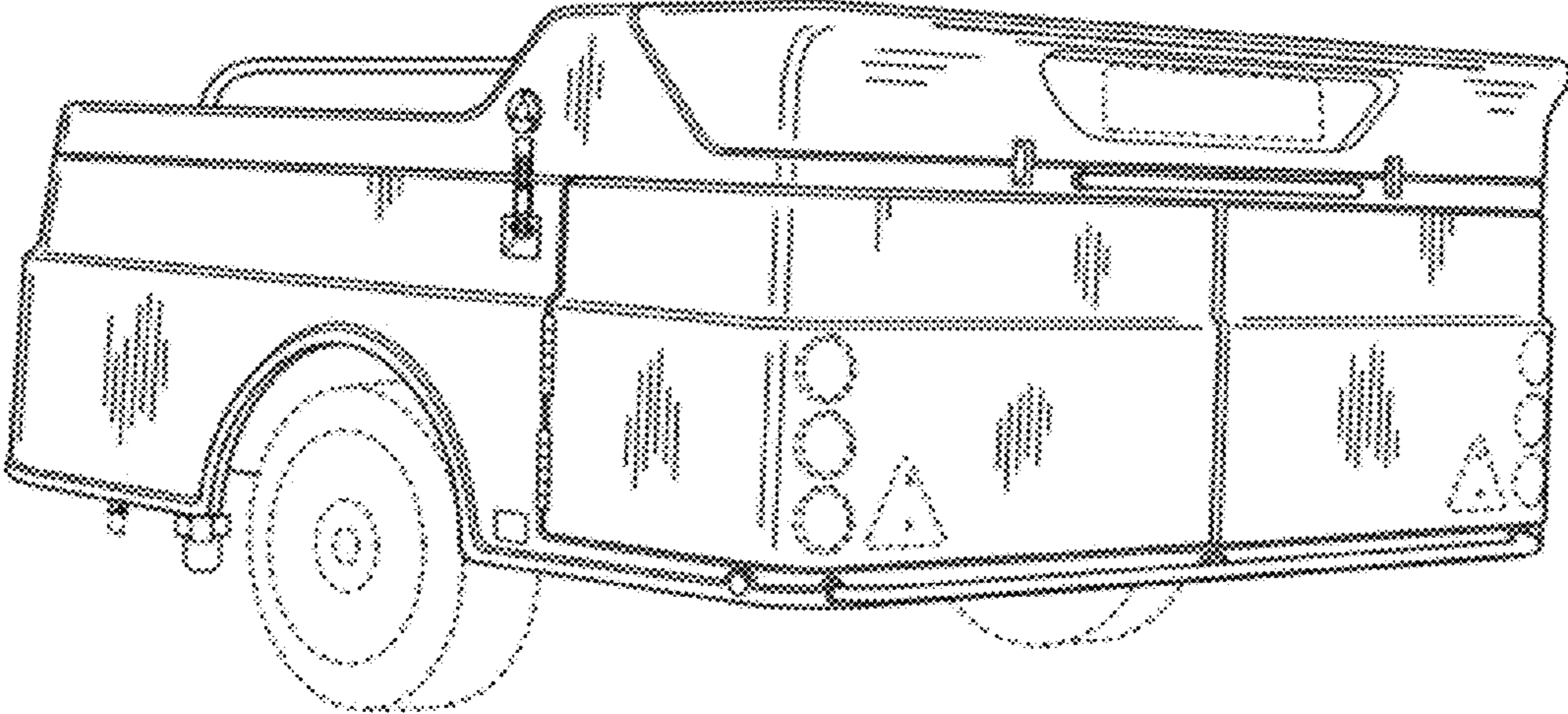


Fig. 2

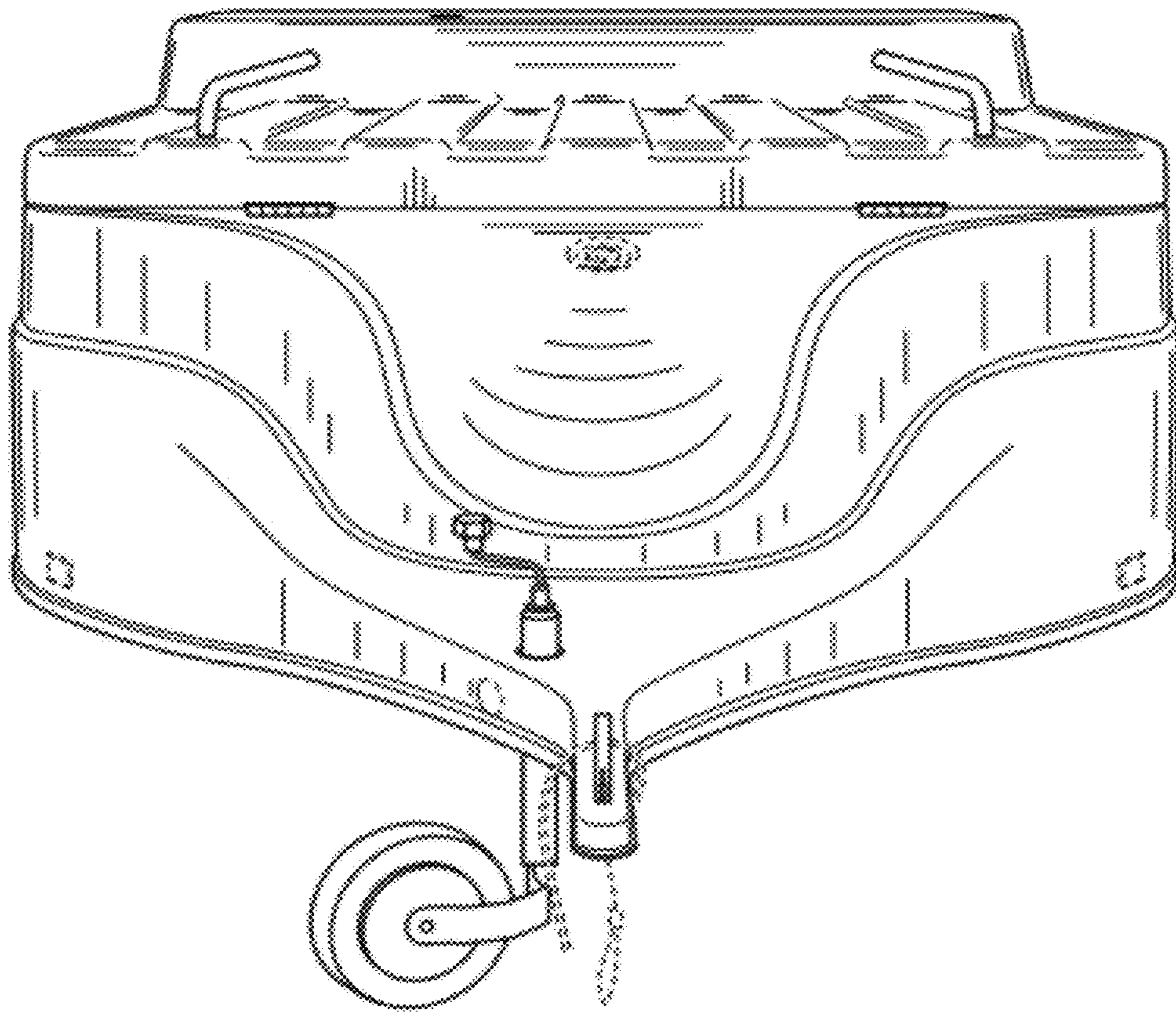


Fig. 3

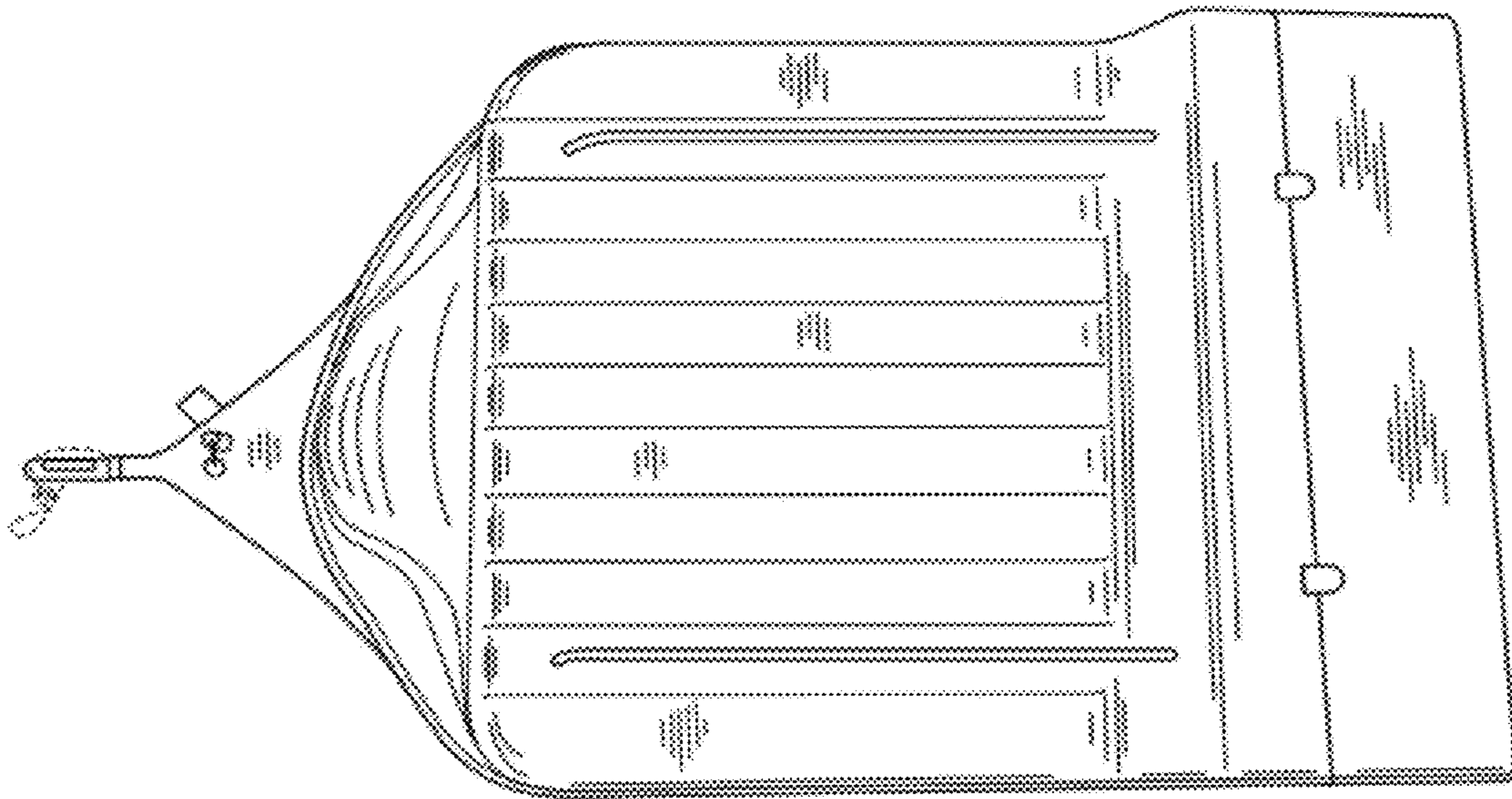


Fig. 4

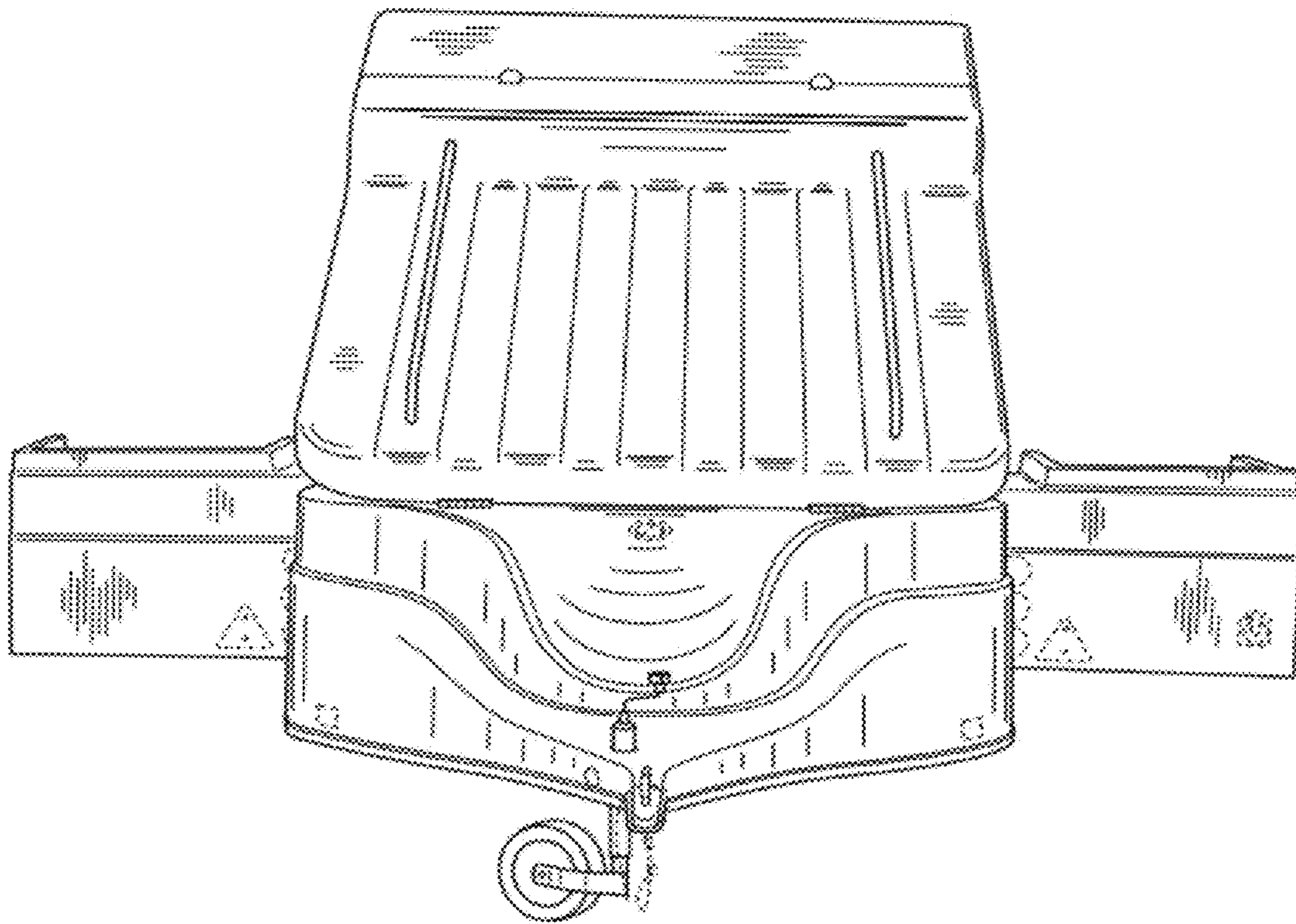


Fig. 5

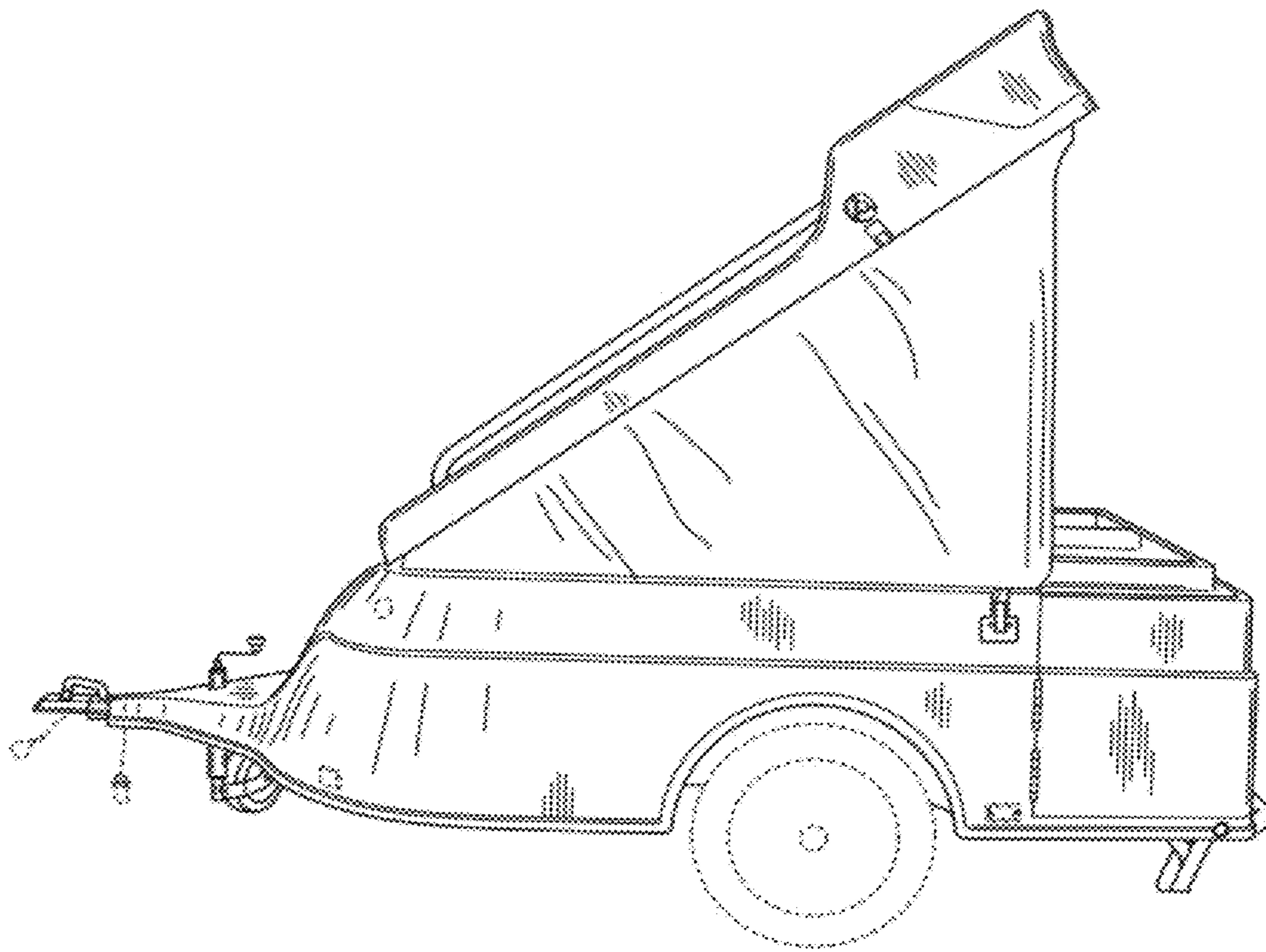


Fig. 6

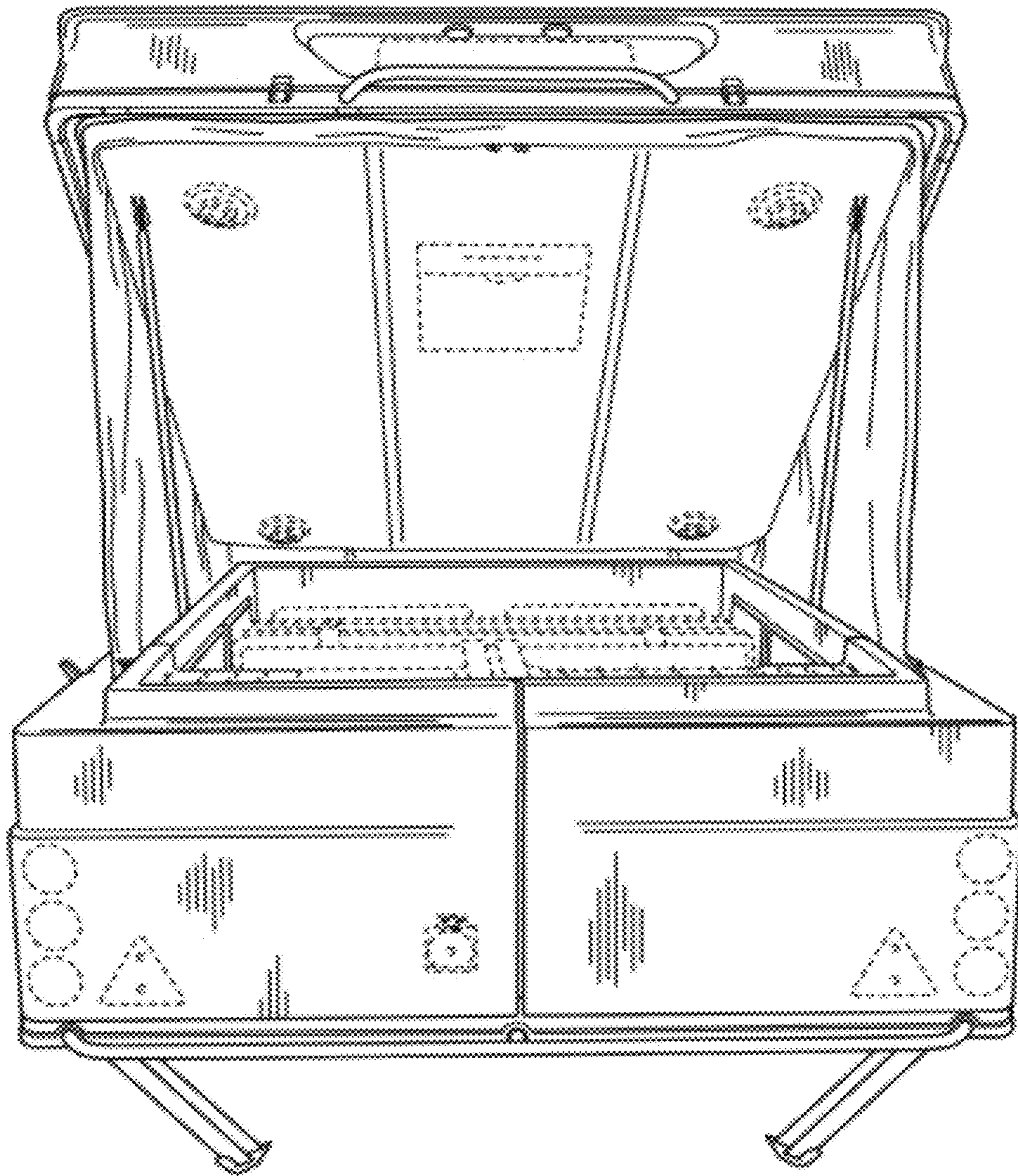


Fig. 7

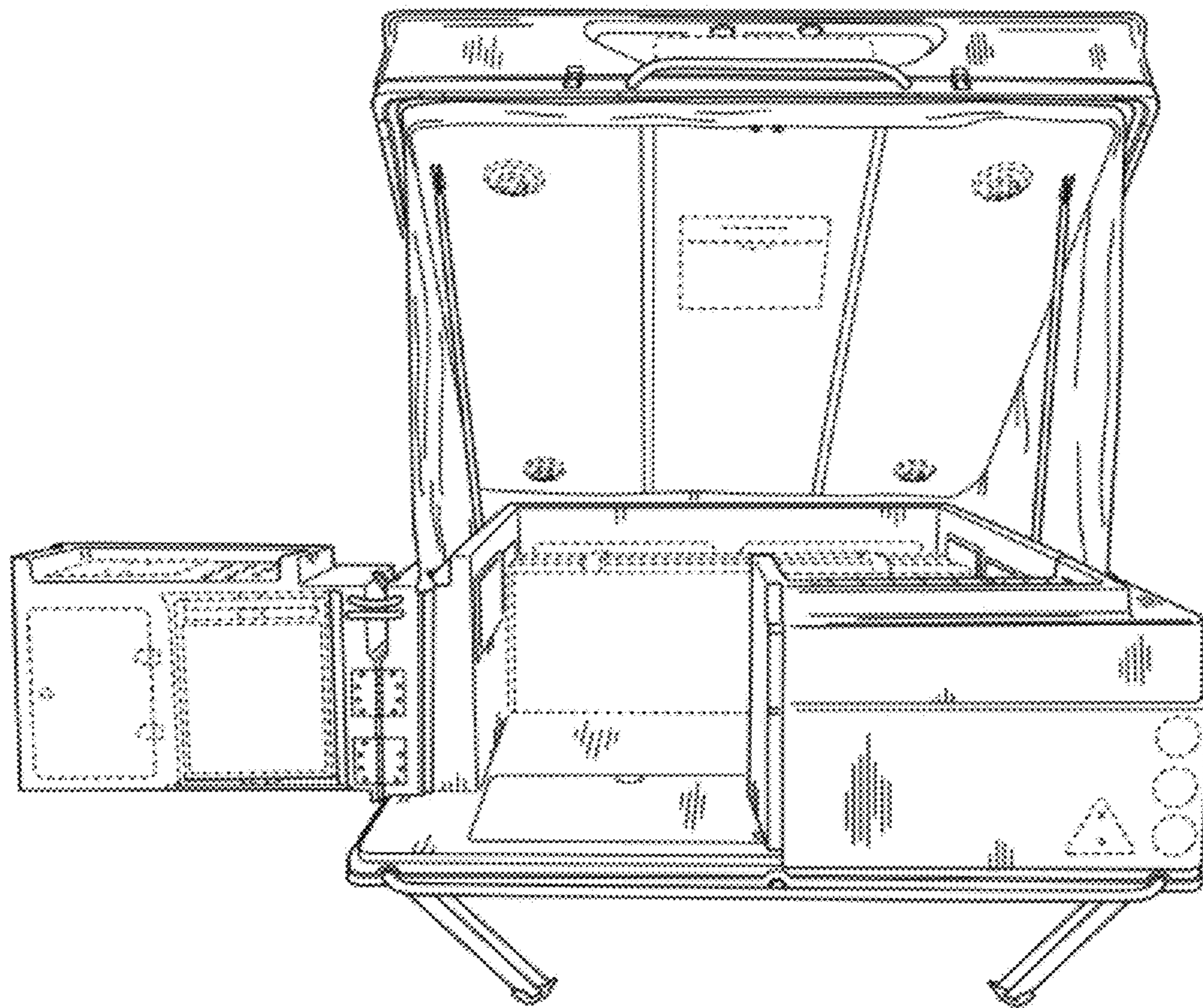


Fig. 8

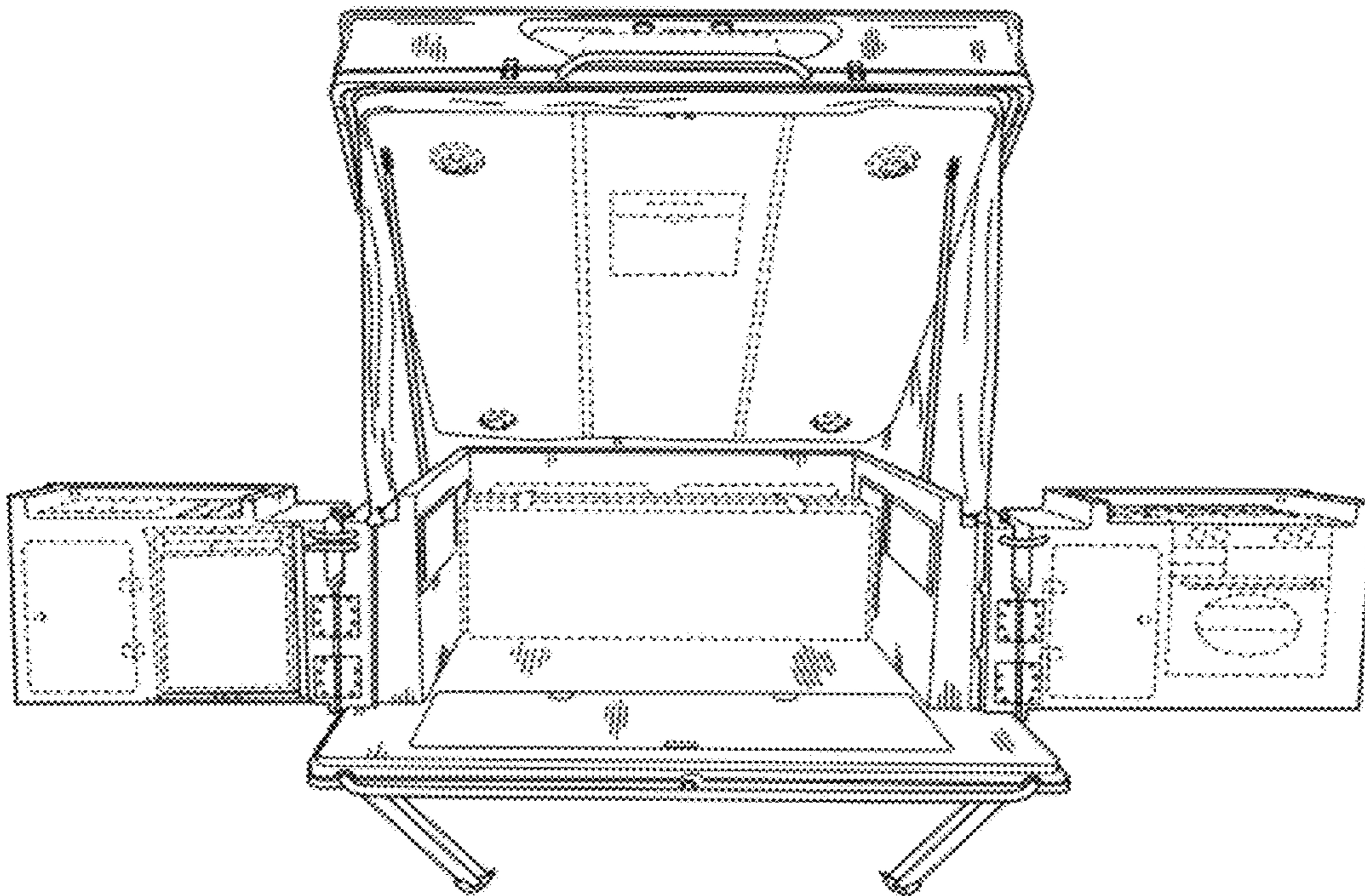


Fig. 9

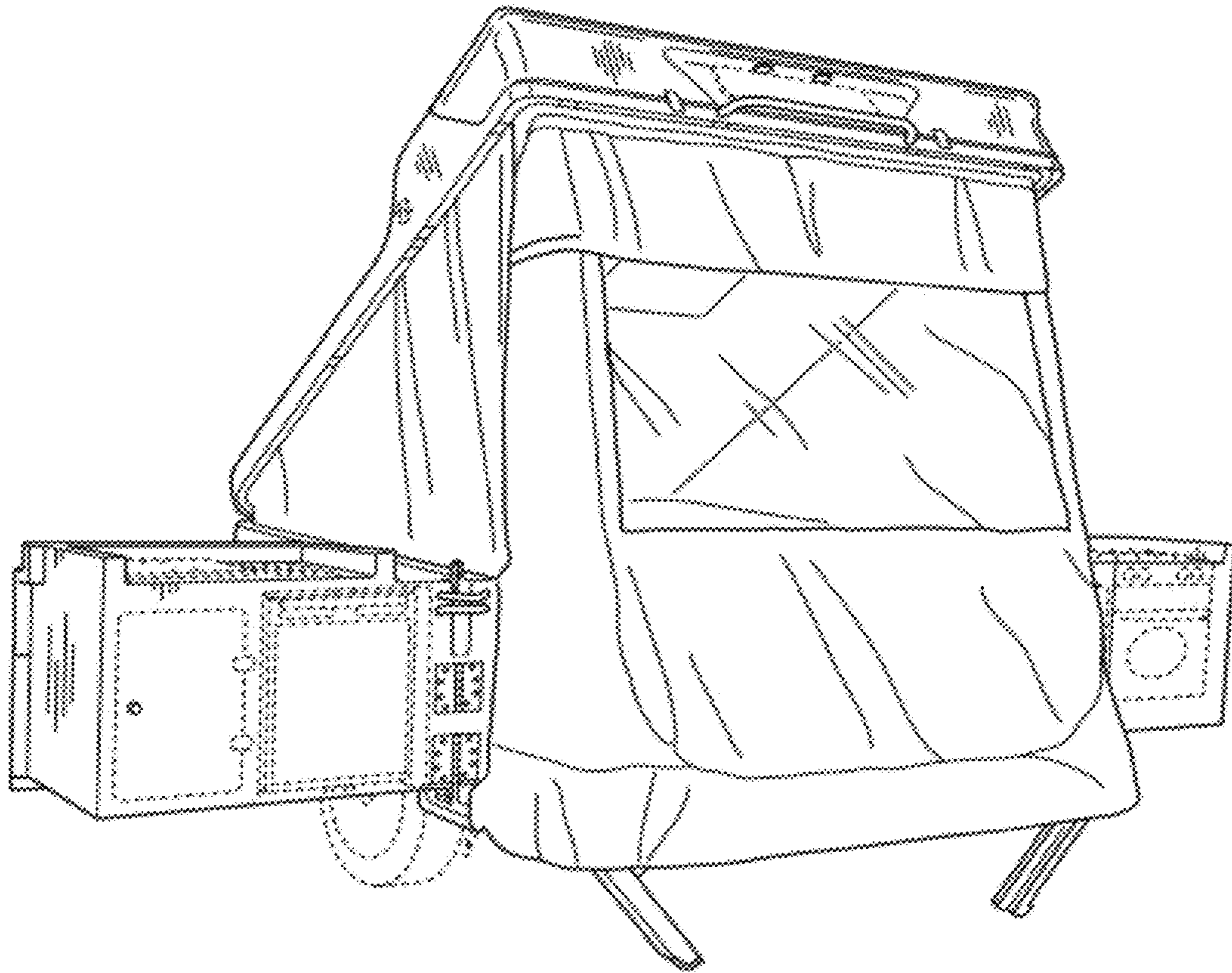


Fig. 10