



US00D664067S

(12) **United States Design Patent**  
**Cerrato**

(10) **Patent No.:** **US D664,067 S**

(45) **Date of Patent:** **\*\* Jul. 24, 2012**

(54) **WATCH COMPONENT**

(75) Inventor: **Davide Cerrato**, Geneva (CH)

(73) Assignee: **Montres Tudor SA**, Geneva (CH)

(\*\*) Term: **14 Years**

(21) Appl. No.: **29/404,446**

(22) Filed: **Oct. 20, 2011**

**Related U.S. Application Data**

(62) Division of application No. 29/344,230, filed on Sep. 25, 2009.

(30) **Foreign Application Priority Data**

Mar. 25, 2009 (CH) ..... 135968

(51) **LOC (9) Cl.** ..... **11-01**

(52) **U.S. Cl.** ..... **D11/94**

(58) **Field of Classification Search** ..... D10/122-132;  
368/28, 80, 223, 228, 232; D11/1-10, 94;  
63/3, 3.1, 3.2, 4, 6-11, 15, 15.1-15.9

See application file for complete search history.

(56) **References Cited**

U.S. PATENT DOCUMENTS

D255,021	S	*	5/1980	Hofman	.....	D11/3
D382,828	S	*	8/1997	Houlihan	.....	D11/3
D443,221	S	*	6/2001	Jacob et al.	.....	D11/3
D446,467	S	*	8/2001	Lepeu et al.	.....	D11/3
D515,945	S	*	2/2006	Goto et al.	.....	D10/32

\* cited by examiner

*Primary Examiner* — Michael Pratt

(74) *Attorney, Agent, or Firm* — Sughrue Mion, PLLC

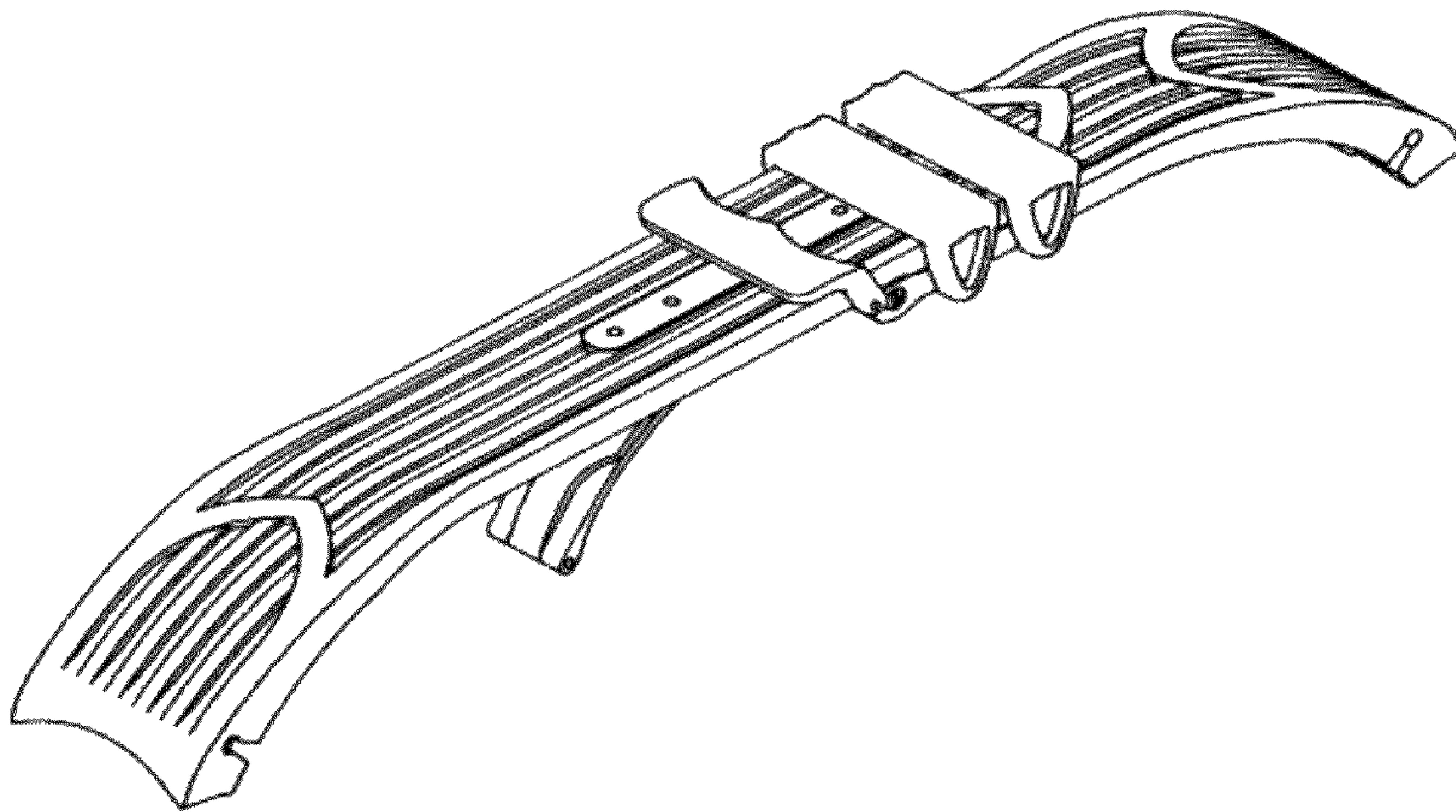
(57) **CLAIM**

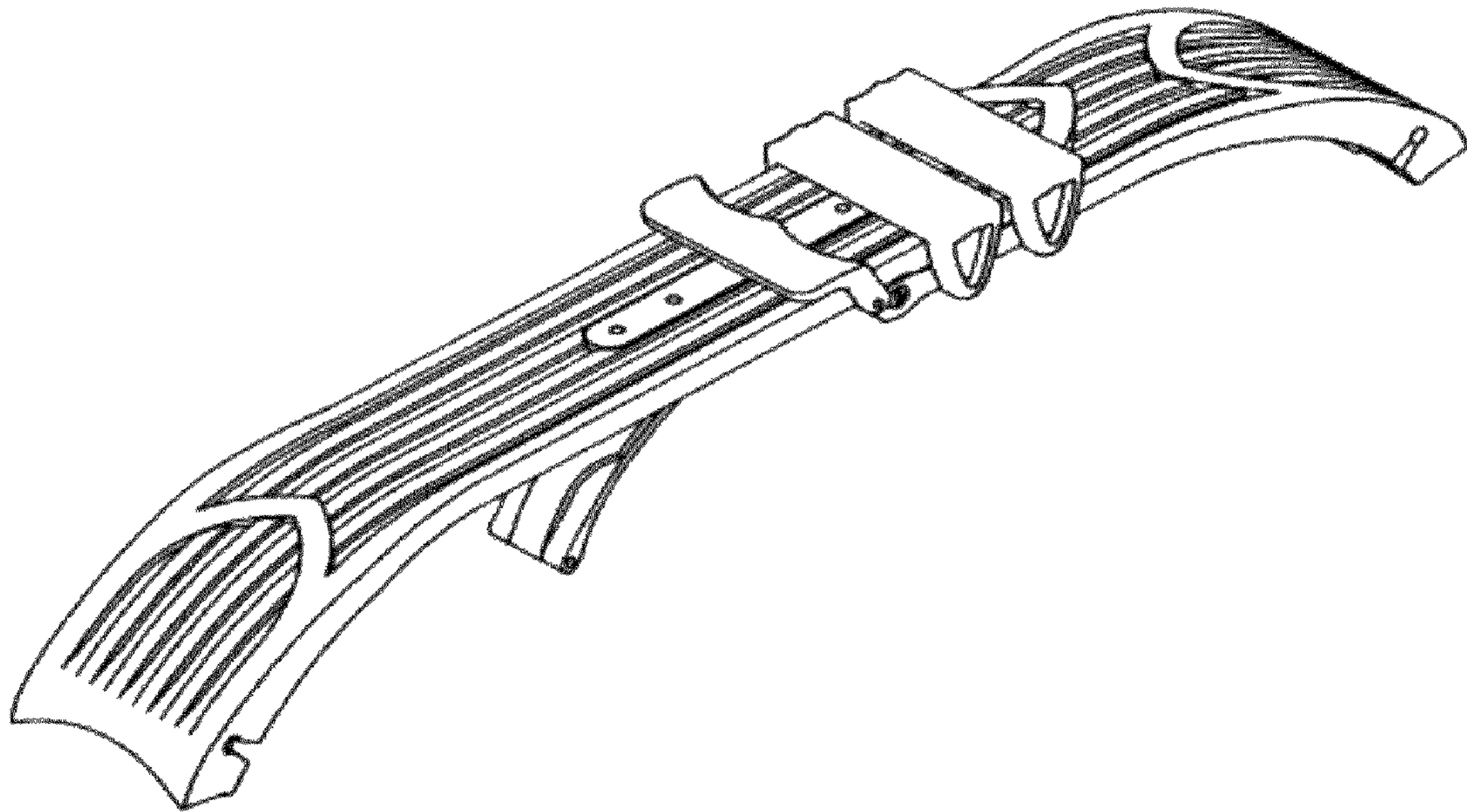
The ornamental design for watch component, as shown and described.

**DESCRIPTION**

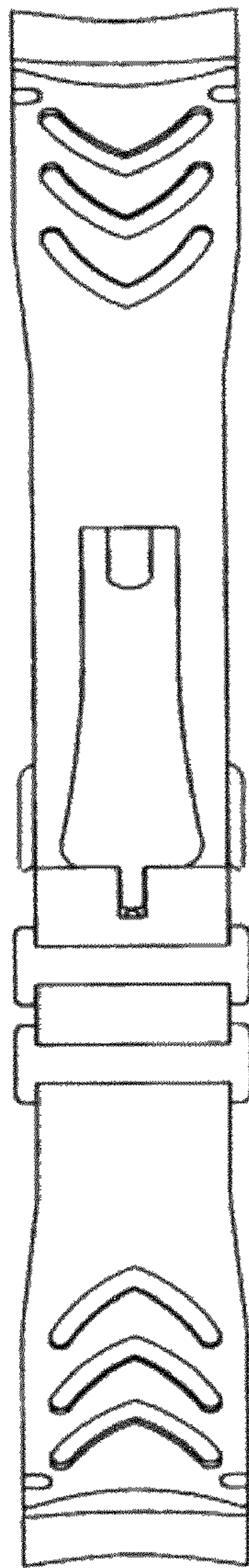
FIG. 1 is a front perspective view of a watch bracelet of watch component according to the present invention;  
FIG. 2 is a rear plan view thereof;  
FIG. 3 is a front plan view thereof;  
FIG. 4 is a first end view thereof;  
FIG. 5 is a first side view thereof;  
FIG. 6 is a second end view thereof, opposite the first end;  
and,  
FIG. 7 is a second side view thereof, opposite the first side view.

**1 Claim, 3 Drawing Sheets**

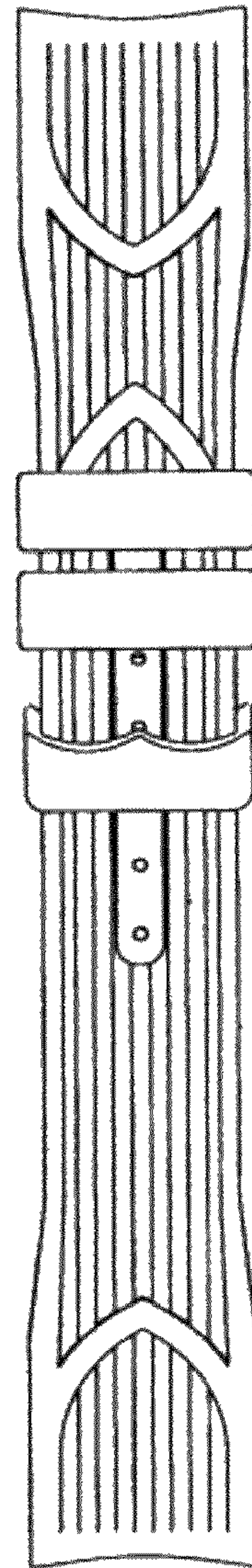




**FIG. 1**

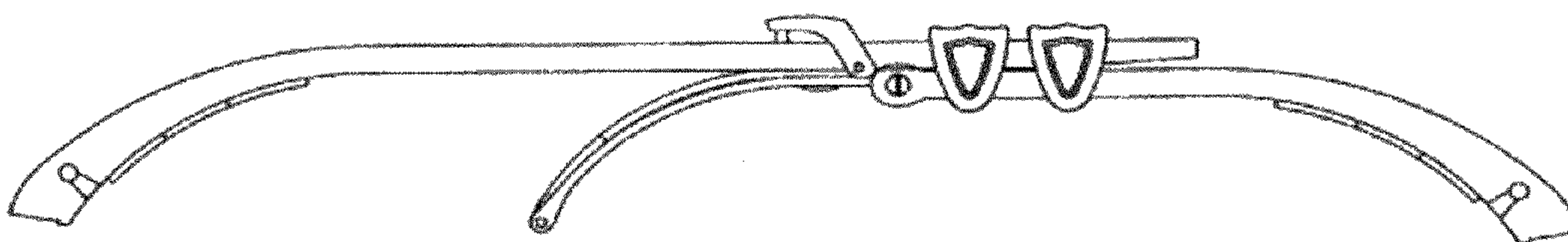
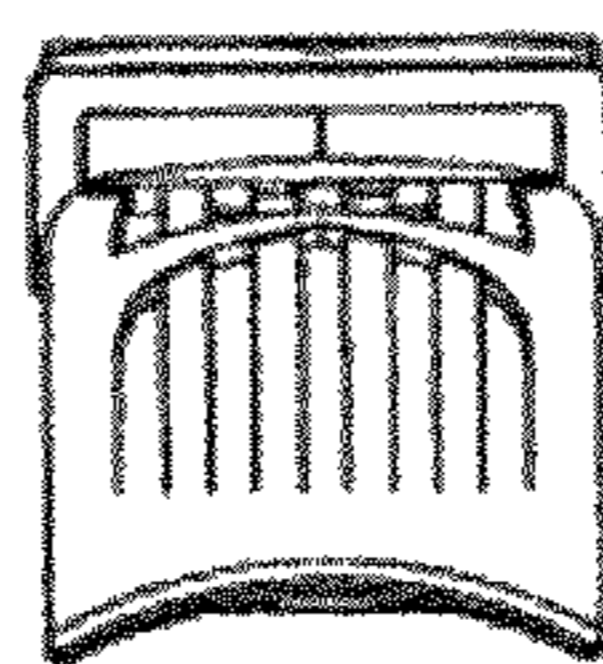


**FIG. 2**



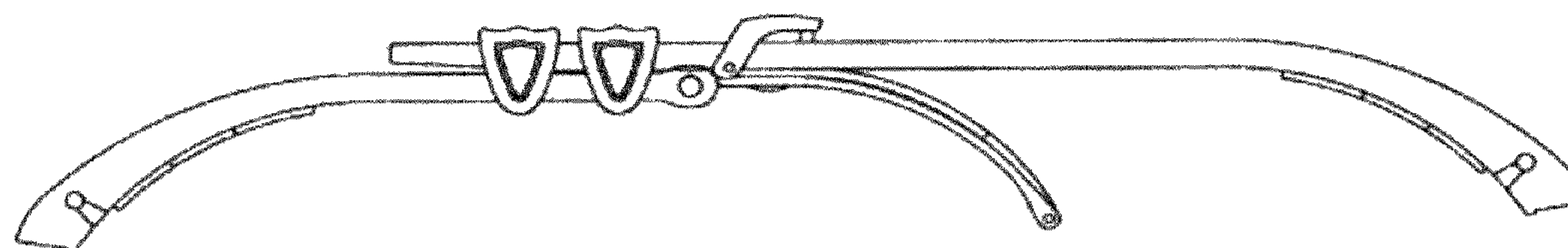
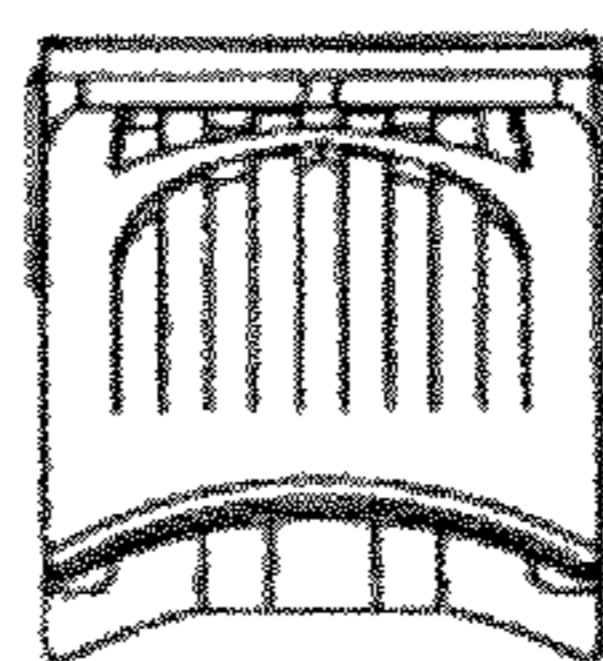
**FIG. 3**

**FIG. 4**



**FIG. 5**

**FIG. 6**



**FIG. 7**