



US00D664066S

(12) **United States Design Patent**
Cerrato

(10) **Patent No.:** **US D664,066 S**
(45) **Date of Patent:** **** Jul. 24, 2012**

(54) **WATCH COMPONENT**

(75) Inventor: **Davide Cerrato**, Geneva (CH)

(73) Assignee: **Montres Tudor SA**, Geneva (CH)

(**) Term: **14 Years**

(21) Appl. No.: **29/403,201**

(22) Filed: **Oct. 3, 2011**

Related U.S. Application Data

(62) Division of application No. 29/344,234, filed on Sep. 25, 2009.

(30) **Foreign Application Priority Data**

Mar. 25, 2009 (CH) 135968

(51) **LOC (9) Cl.** **11-01**

(52) **U.S. Cl.** **D11/94**

(58) **Field of Classification Search** D10/122-132;
368/28, 80, 223, 228, 232; D11/1-10, 94;
63/3, 3.1, 3.2, 4, 6-11, 15, 15.1-15.9
See application file for complete search history.

(56) **References Cited**

U.S. PATENT DOCUMENTS

D131,628 S 3/1942 Heinmuller
D255,021 S * 5/1980 Hofman D11/3

5,177,712 A 1/1993 Kakizawa
D382,828 S * 8/1997 Houlihan D11/3
D443,221 S * 6/2001 Jacob et al. D11/3
D446,467 S * 8/2001 Lepeu et al. D11/3
D515,945 S * 2/2006 Goto et al. D10/32

* cited by examiner

Primary Examiner — Michael Pratt

(74) *Attorney, Agent, or Firm* — Sughrue Mion, PLLC

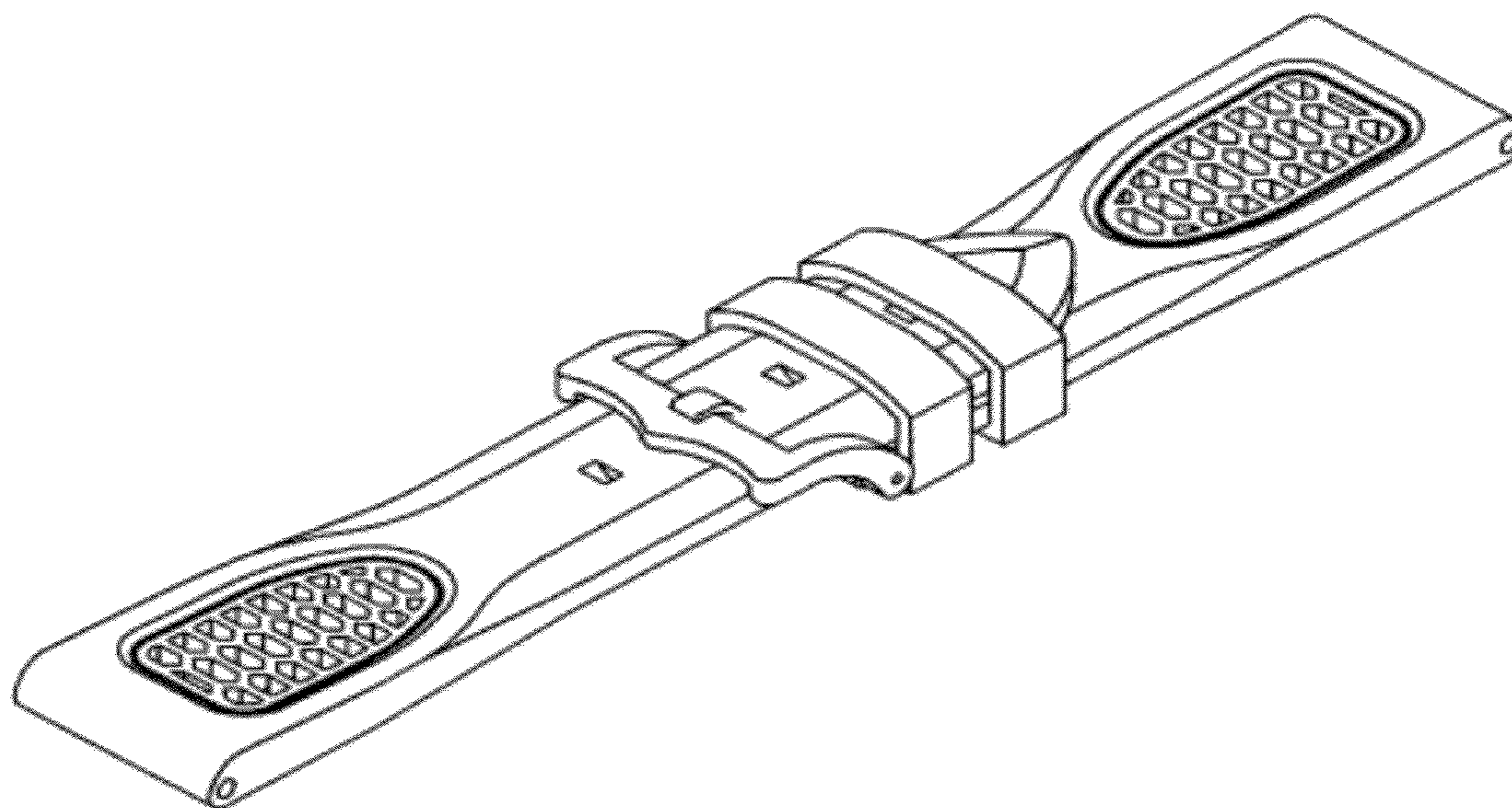
(57) **CLAIM**

The ornamental design for watch component, as shown and described.

DESCRIPTION

FIG. 1 is a front perspective view of a watch bracelet of watch component according to the present invention;
FIG. 2 is a front plan view thereof;
FIG. 3 is a rear plan view thereof;
FIG. 4 is a first side view thereof;
FIG. 5 is a second side view thereof, opposite the first side;
FIG. 6 is a first end view thereof; and,
FIG. 7 is a second end view thereof, opposite the first end.

1 Claim, 4 Drawing Sheets



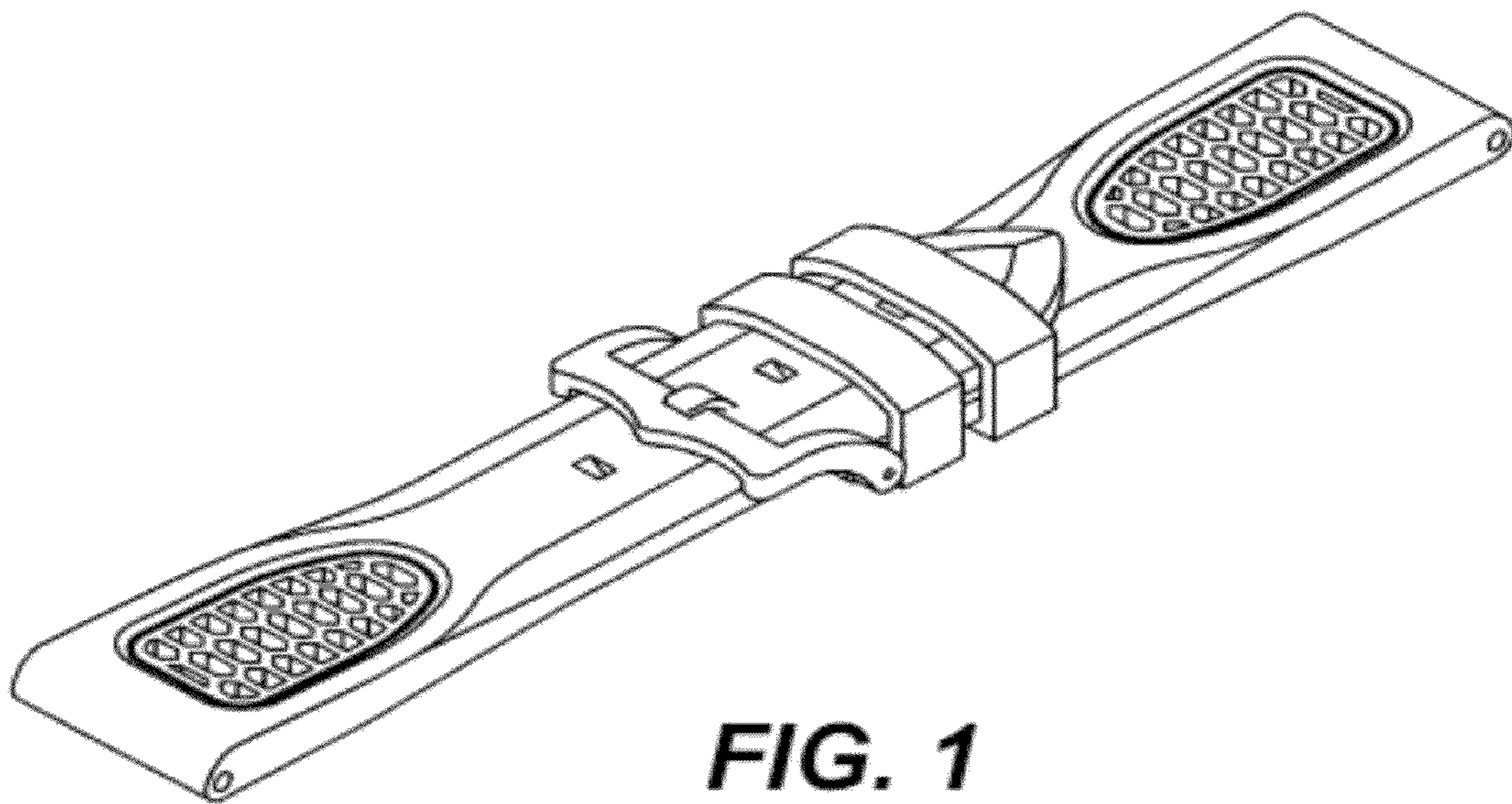


FIG. 1

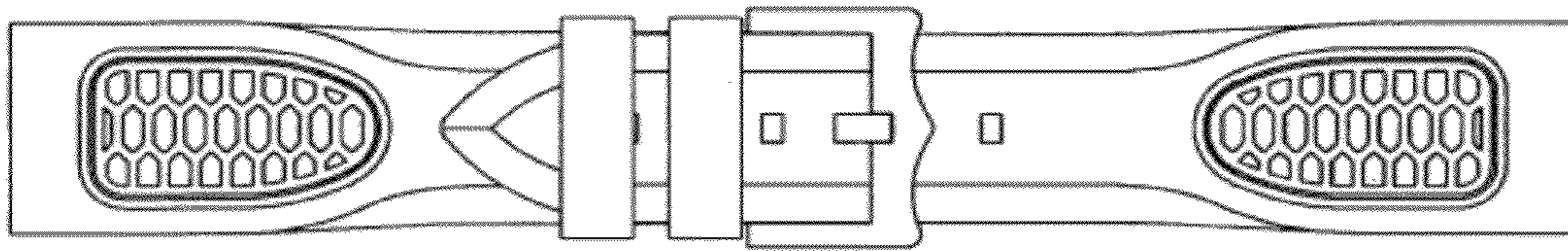


FIG. 2

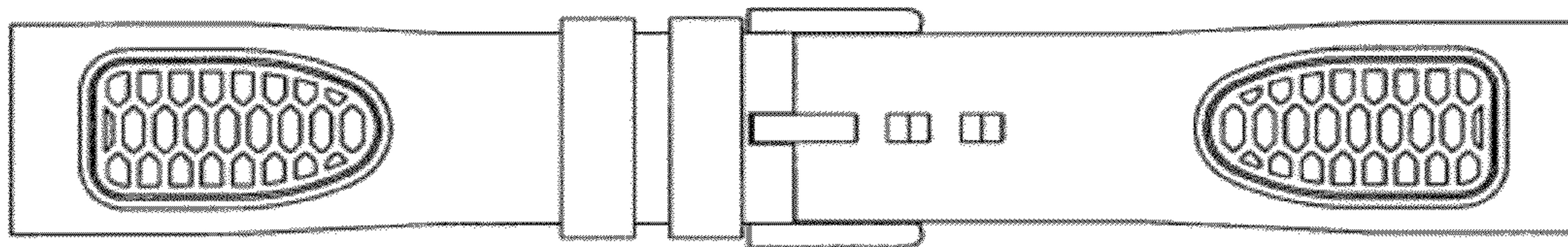


FIG. 3

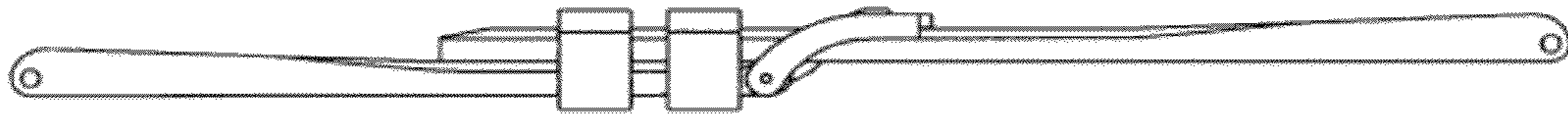


FIG. 4

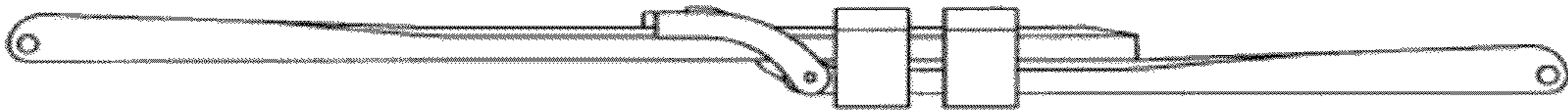


FIG. 5



FIG. 6

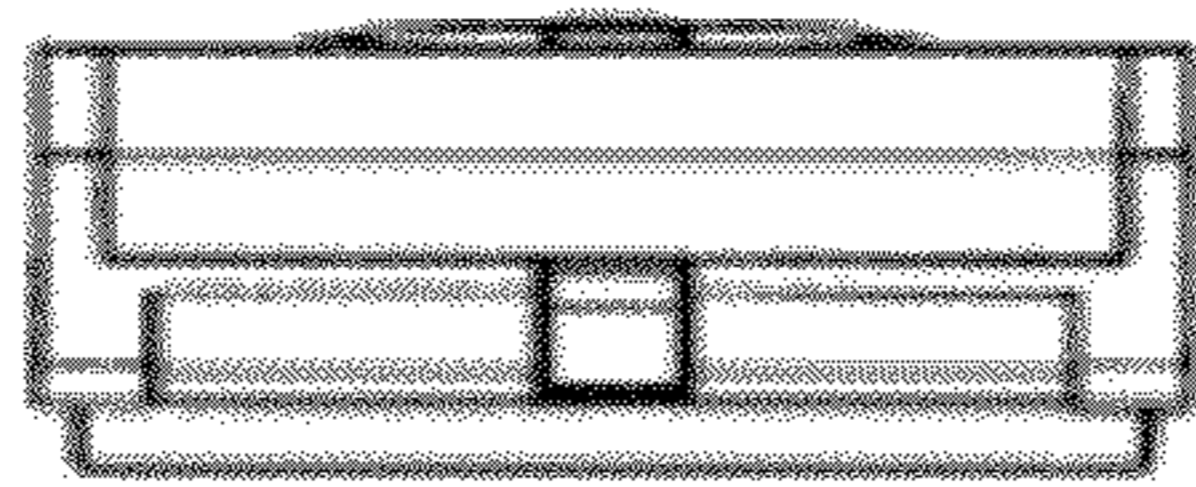


FIG. 7