



US00D664064S

(12) **United States Design Patent**  
**Papadimitriou**

(10) **Patent No.:** **US D664,064 S**  
(45) **Date of Patent:** **\*\* Jul. 24, 2012**

(54) **PENDANT**

(75) Inventor: **Costantino Papadimitriou**, Milan (IT)

(73) Assignee: **De Beers Centenary AG**, Lucerne (CH)

(\*\*) Term: **14 Years**

(21) Appl. No.: **29/400,844**

(22) Filed: **Sep. 1, 2011**

(30) **Foreign Application Priority Data**

Mar. 4, 2011 (EM) ..... 001830688

Mar. 4, 2011 (EM) ..... 001831280

(51) **LOC (9) Cl.** ..... **11-01**

(52) **U.S. Cl.** ..... **D11/79**

(58) **Field of Classification Search** ..... D11/79-85,  
D11/89-91, 40-48, 1-8; 63/26-28, 12-14,  
63/3, 3.1, 3.2

See application file for complete search history.

(56) **References Cited**

**U.S. PATENT DOCUMENTS**

D11,457 S \* 10/1879 Aikin ..... D11/79  
(Continued)

*Primary Examiner* — Cathron Brooks

*Assistant Examiner* — Melanie Pellegrini

(74) *Attorney, Agent, or Firm* — SNR Denton US LLP;  
Brian R. McGinley

(57) **CLAIM**

The ornamental design for a pendant, as shown and described.

**DESCRIPTION**

FIG. 1 is an enlarged top view of a first embodiment of the pendant;

FIG. 2 is an enlarged bottom view of the pendant illustrated in FIG. 1;

FIG. 3 is a right elevational view of the pendant illustrated in FIG. 1;

FIG. 4 is a left elevational view of the pendant illustrated in FIG. 1;

FIG. 5 is a front view of the pendant illustrated in FIG. 1;

FIG. 6 is a rear view of the pendant illustrated in FIG. 1;

FIG. 7 is a perspective view of the pendant illustrated in FIG. 1

FIG. 8 is an enlarged top view of a second embodiment of the pendant;

FIG. 9 is an enlarged bottom view of the pendant illustrated in FIG. 8;

FIG. 10 is a right elevational view of the pendant illustrated in FIG. 8;

FIG. 11 is a left elevational view of the pendant illustrated in FIG. 8;

FIG. 12 is a front view of the pendant illustrated in FIG. 8;

FIG. 13 is a rear view of the pendant illustrated in FIG. 8;

FIG. 14 is a perspective view of the pendant illustrated in FIG. 8

FIG. 15 is an enlarged top view of a third embodiment of the pendant illustrated in FIG. 8;

FIG. 16 is an enlarged bottom view of the pendant illustrated in FIG. 15;

FIG. 17 is a right elevational view of the pendant illustrated in FIG. 15;

FIG. 18 is a left elevational view of the pendant illustrated in FIG. 15;

FIG. 19 is a front view of the pendant illustrated in FIG. 15;

FIG. 20 is a rear view of the pendant illustrated in FIG. 15;

FIG. 21 is a perspective view of the pendant illustrated in FIG. 15;

FIG. 22 is an enlarged top view of a fourth embodiment of the pendant;

FIG. 23 is an enlarged bottom view of the pendant illustrated in FIG. 22;

FIG. 24 is a right elevational view of the pendant illustrated in FIG. 22;

FIG. 25 is a left elevational view of the pendant illustrated in FIG. 22;

FIG. 26 is a front view of the pendant illustrated in FIG. 22;

FIG. 27 is a rear view of the pendant illustrated in FIG. 22;

and,  
FIG. 28 is a perspective view of the pendant illustrated in FIG. 22.

**1 Claim, 20 Drawing Sheets**



# US D664,064 S

Page 2

## U.S. PATENT DOCUMENTS

D32,246 S 2/1900 Bigney  
D40,581 S 3/1910 Finberg  
D59,469 S \* 10/1921 Gagnon ..... D6/581  
1,732,250 A 10/1929 Wehse  
D150,586 S \* 8/1948 Katz ..... D11/43  
D164,946 S 10/1951 Philippe  
D171,701 S \* 3/1954 Katz ..... D11/43  
D260,140 S 8/1981 Bicencko  
D267,634 S \* 1/1983 Barr ..... D11/79  
D279,883 S \* 7/1985 Moon ..... D11/45  
D287,577 S \* 1/1987 Lorberfeld ..... D11/43  
5,219,624 A \* 6/1993 Kiapos et al. .... 428/28  
D394,824 S \* 6/1998 Itzkowitz ..... D11/79  
D408,316 S 4/1999 Perrin et al.  
D434,184 S \* 11/2000 Acker ..... D28/41  
D489,024 S 4/2004 Beber et al.

D499,046 S \* 11/2004 Pinto et al. .... D11/79  
7,121,117 B2 10/2006 Gruosi-Scheufele  
D533,479 S 12/2006 Dubnicka  
D542,696 S 5/2007 Cilluffo  
D586,685 S 2/2009 Grassi Damiani  
D592,094 S \* 5/2009 Vanden Berg ..... D11/83  
D597,435 S 8/2009 Gruosi  
D624,843 S \* 10/2010 Colombani ..... D11/43  
D631,384 S \* 1/2011 Papadimitriou ..... D11/79  
D631,385 S \* 1/2011 Lebail ..... D11/43  
D631,386 S \* 1/2011 Ventura ..... D11/79  
D632,605 S \* 2/2011 Marchand ..... D11/43  
D637,104 S \* 5/2011 Papadimitriou ..... D11/43  
D639,694 S \* 6/2011 Papadimitriou ..... D11/43  
D640,585 S \* 6/2011 Nolan ..... D11/86  
D643,325 S \* 8/2011 Marchand ..... D11/79

\* cited by examiner

FIG. 1

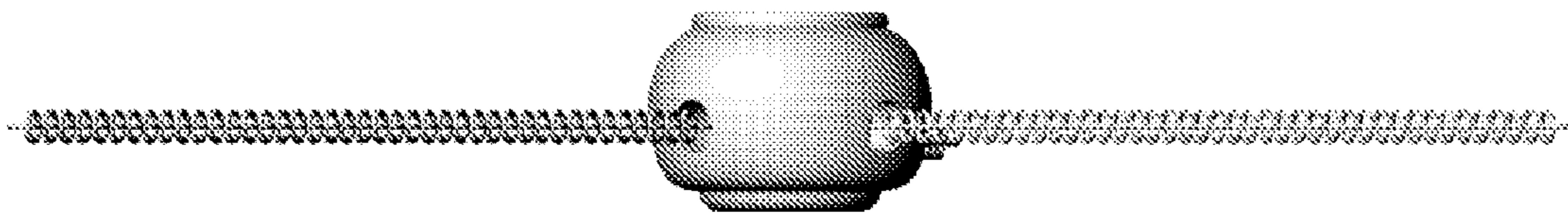


FIG. 2

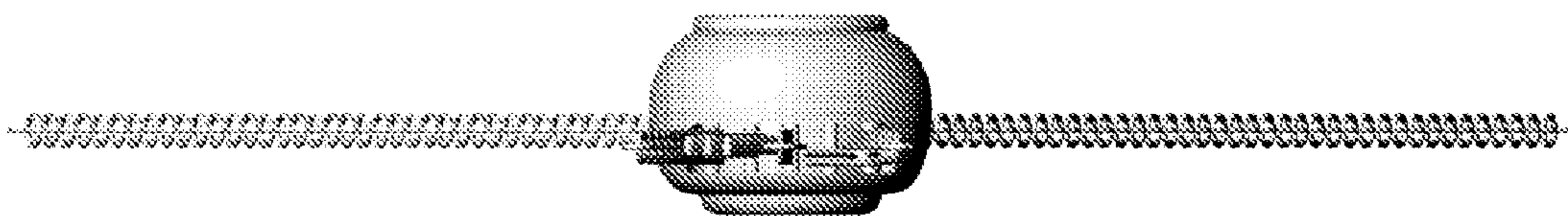


FIG. 3



FIG. 4



FIG. 5



FIG. 6



FIG. 7

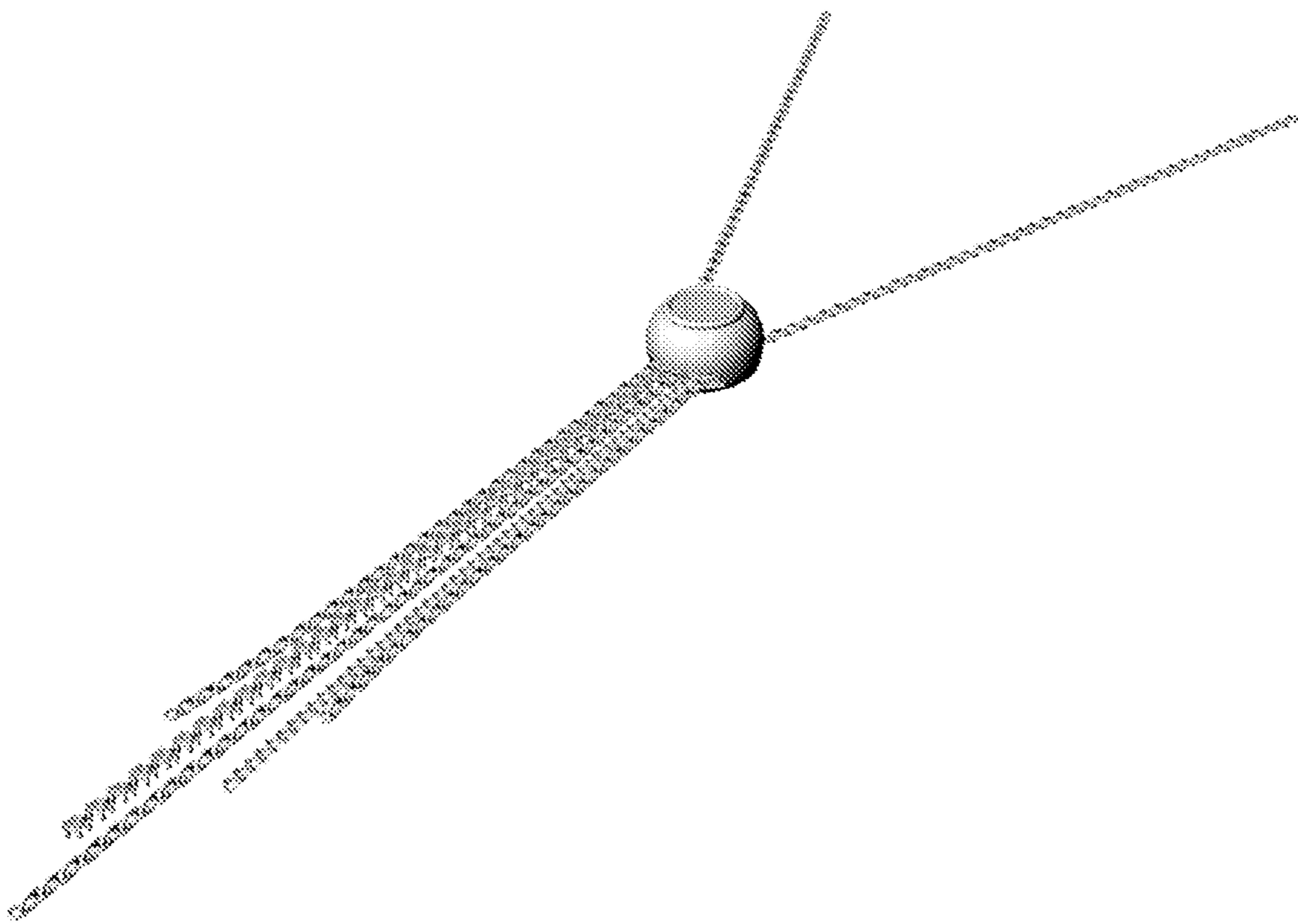


FIG. 8

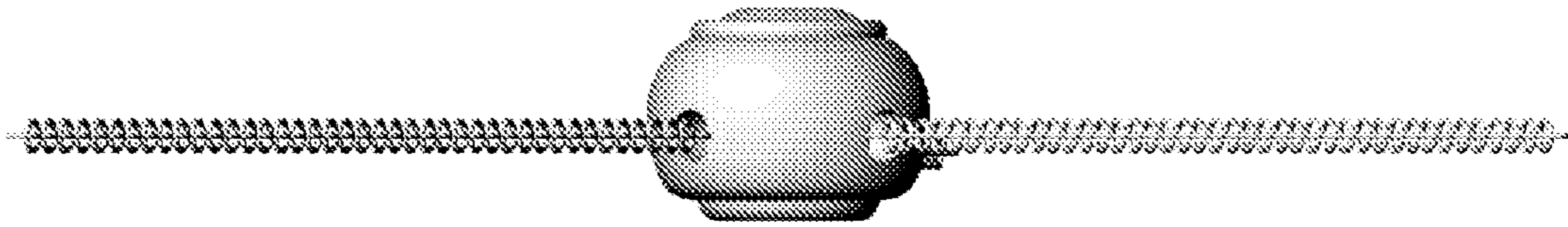


FIG. 9

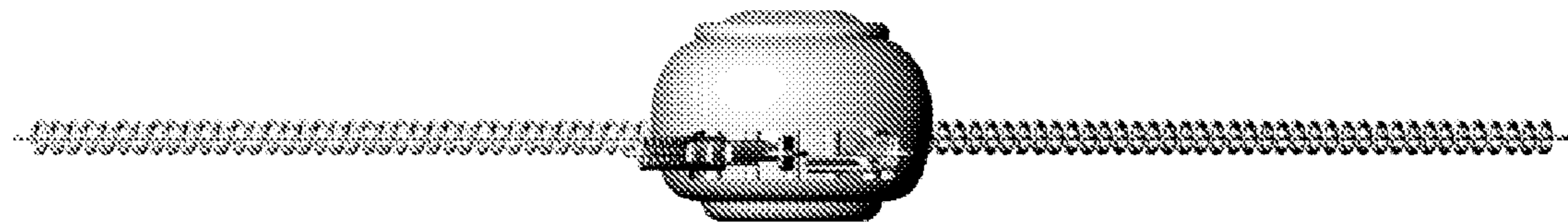




FIG. 10

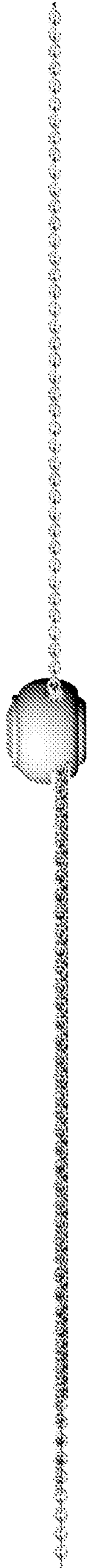


FIG. 11



FIG. 12



FIG. 13



FIG. 14

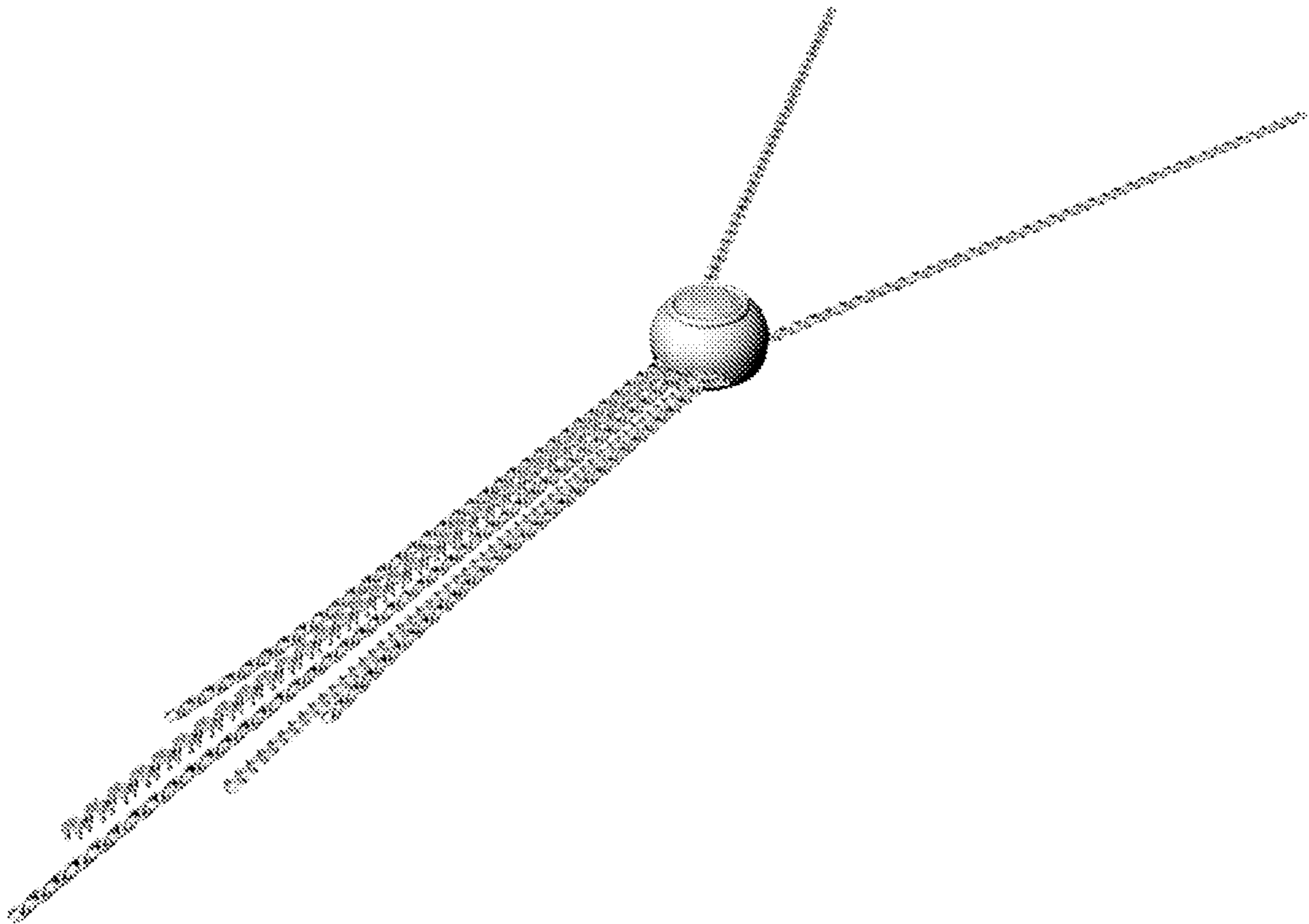


FIG. 15

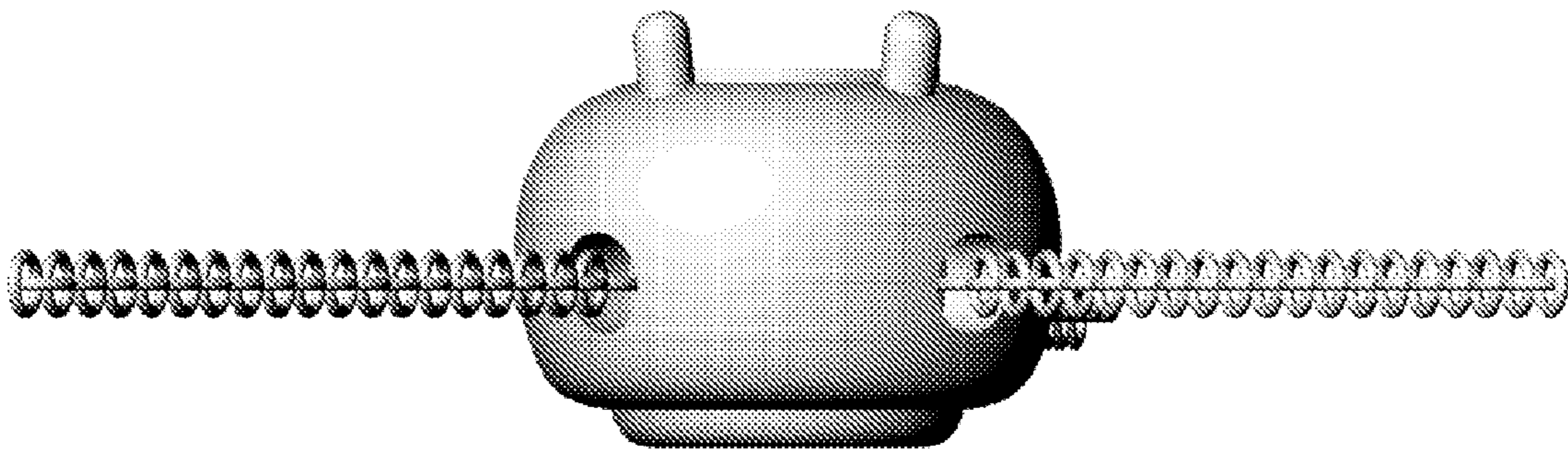


FIG. 16

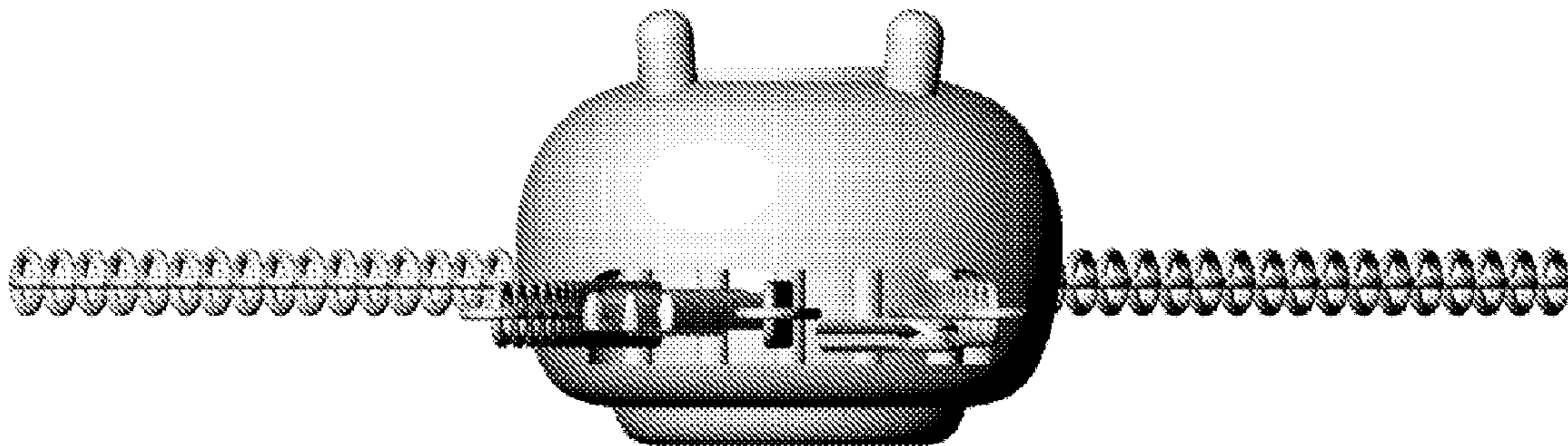


FIG. 17

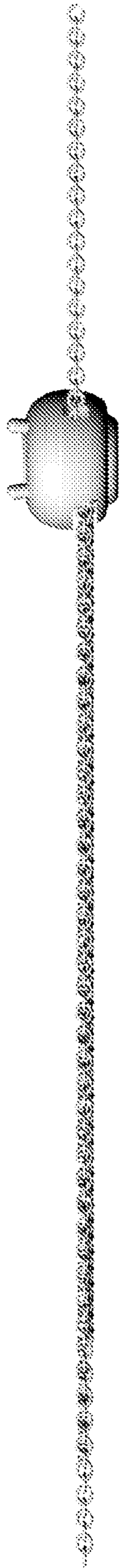


FIG. 18

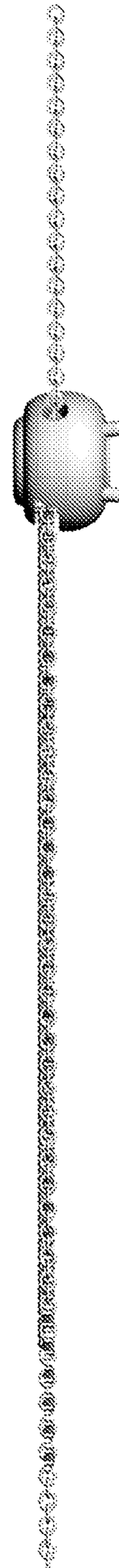


FIG. 19

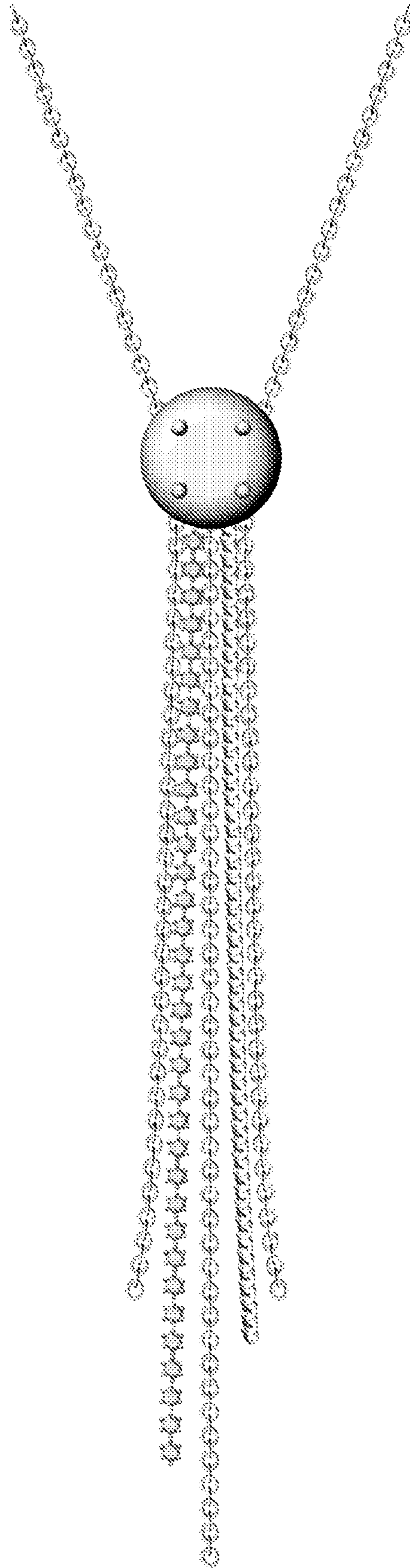


FIG. 20





FIG. 21

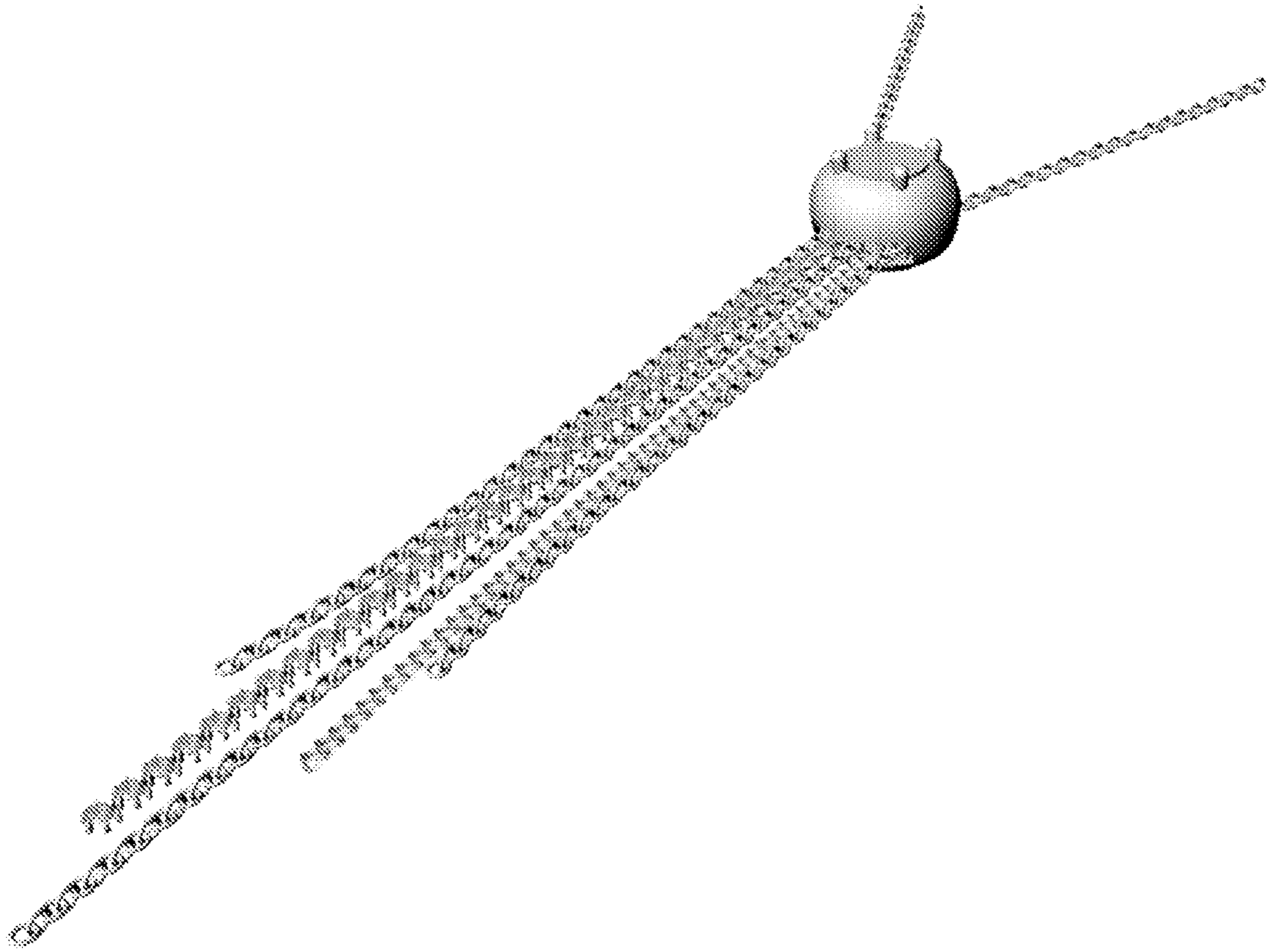


FIG. 22

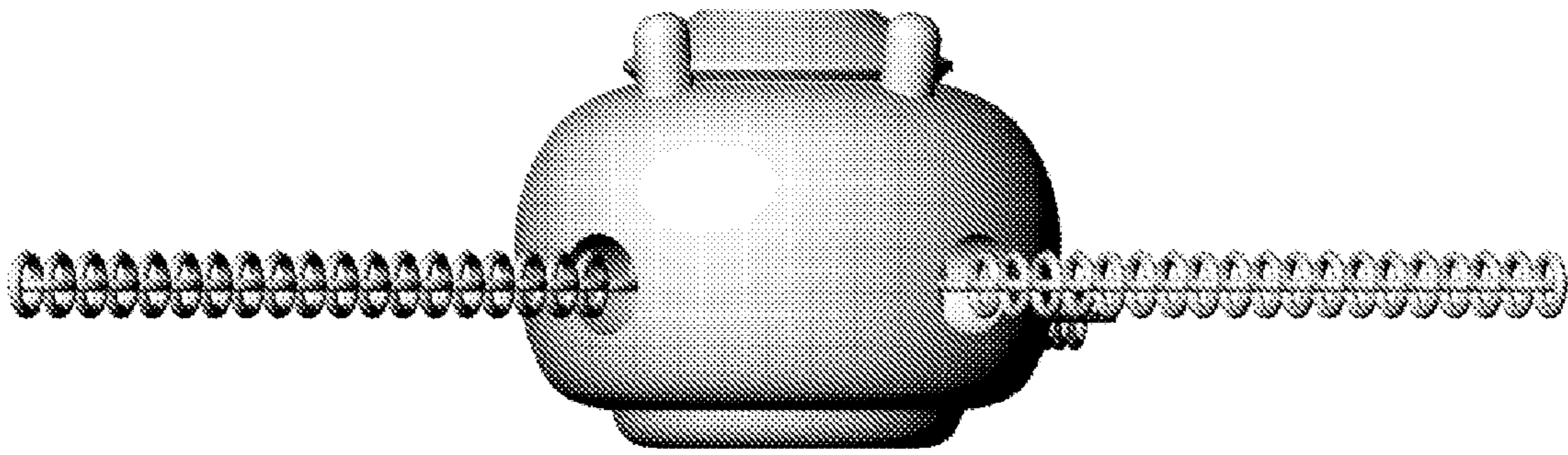


FIG. 23

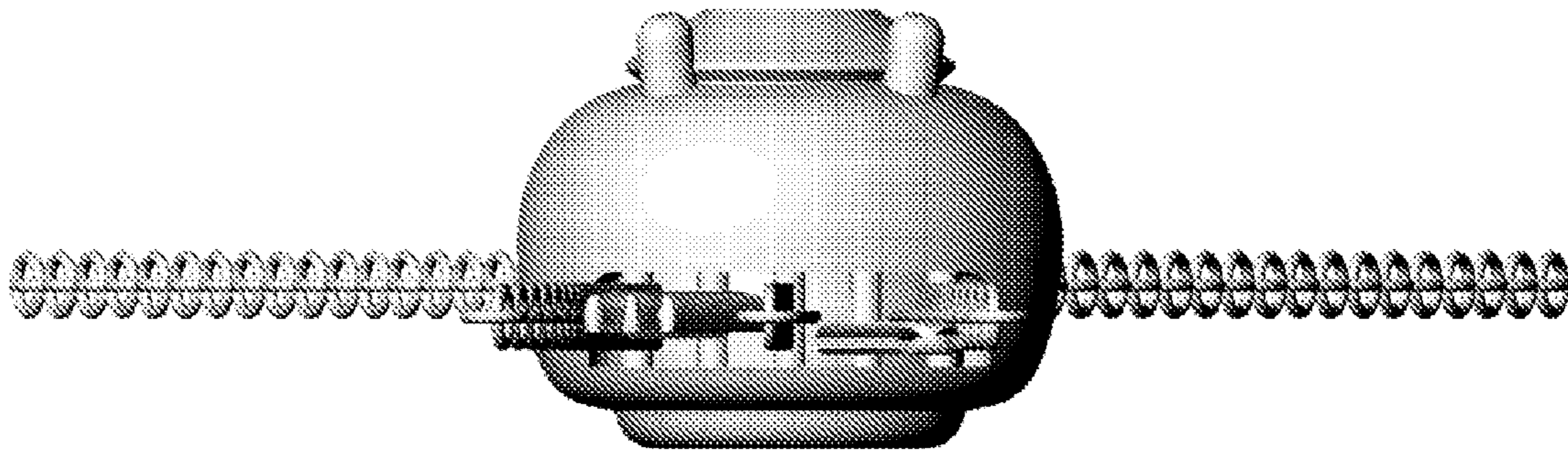


FIG. 24

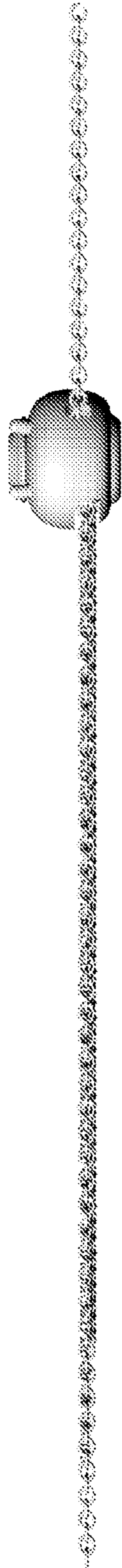


FIG. 25

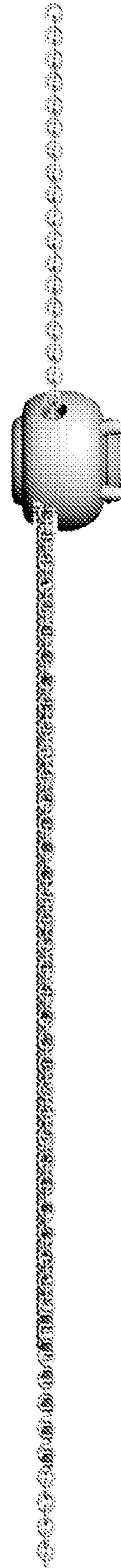


FIG. 26

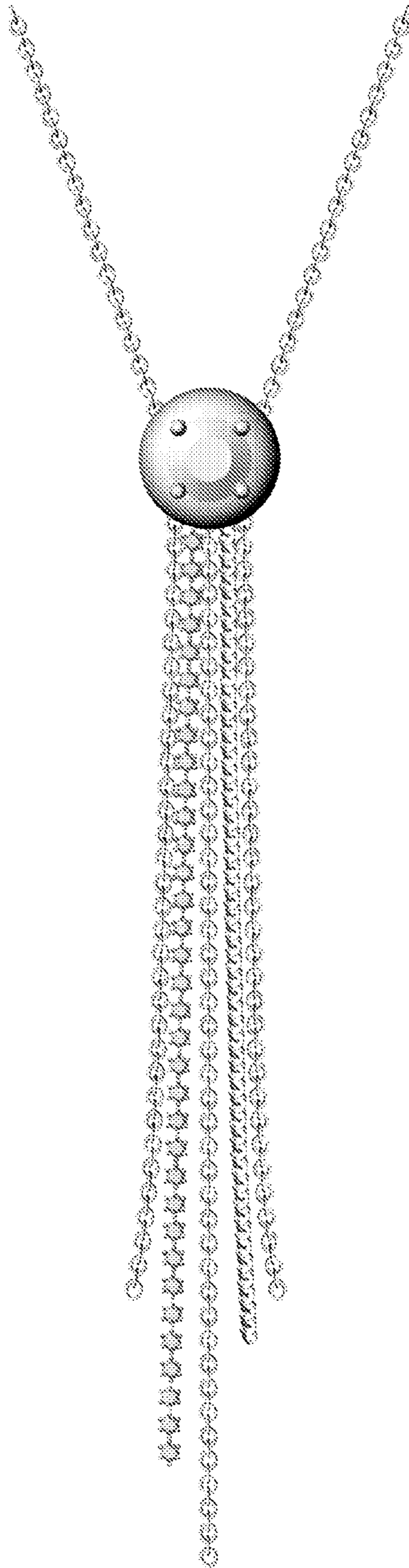


FIG. 27

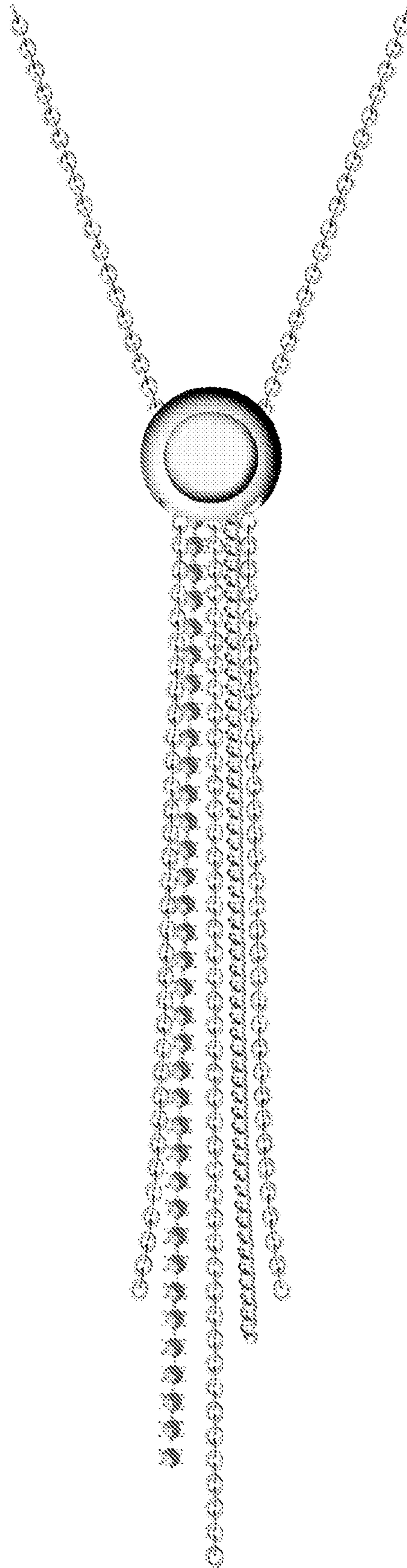


FIG. 28

