



US00D664062S

(12) **United States Design Patent**
Papadimitriou

(10) **Patent No.:** **US D664,062 S**
(45) **Date of Patent:** **** Jul. 24, 2012**

(54) **EARRING**

(75) Inventor: **Costantino Papadimitriou**, Milan (IT)

(73) Assignee: **De Beers Centenary AG**, Lucerne (CH)

(**) Term: **14 Years**

(21) Appl. No.: **29/400,847**

(22) Filed: **Sep. 1, 2011**

(30) **Foreign Application Priority Data**

Mar. 4, 2011 (EM) 001830688
Mar. 4, 2011 (EM) 001831033

(51) **LOC (9) Cl.** **11-01**

(52) **U.S. Cl.** **D11/43; D11/79**

(58) **Field of Classification Search** D11/79-85,
D11/89-91, 40-48, 1-8; 63/26-28, 12-14,
63/3, 3.1, 3.2

See application file for complete search history.

(56) **References Cited**

U.S. PATENT DOCUMENTS

D11,457 S * 10/1879 Aikin D11/79
(Continued)

Primary Examiner — Cathron Brooks

Assistant Examiner — Melanie Pellegrini

(74) *Attorney, Agent, or Firm* — SNR Denton US LLP;
Brian R. McGinley

(57) **CLAIM**

The ornamental design for an earring, as shown and described.

DESCRIPTION

FIG. 1 is an enlarged top view of a first embodiment of the earring;

FIG. 2 is an enlarged bottom view of the earring illustrated in FIG. 1;

FIG. 3 is a right elevational view of the earring illustrated in FIG. 1;

FIG. 4 is a left elevational view of the earring illustrated in FIG. 1;

FIG. 5 is a front view of the earring illustrated in FIG. 1;

FIG. 6 is a rear view of the earring illustrated in FIG. 1;

FIG. 7 is a perspective view of the earring illustrated in FIG. 1

FIG. 8 is an enlarged top view of a second embodiment of the earring;

FIG. 9 is an enlarged bottom view of the earring illustrated in FIG. 8;

FIG. 10 is a right elevational view of the earring illustrated in FIG. 8;

FIG. 11 is a left elevational view of the earring illustrated in FIG. 8;

FIG. 12 is a front view of the earring illustrated in FIG. 8;

FIG. 13 is a rear view of the earring illustrated in FIG. 8;

FIG. 14 is a perspective view of the earring illustrated in FIG. 8

FIG. 15 is a top view of a third embodiment of the earring;

FIG. 16 is a bottom view of the earring illustrated in FIG. 15;

FIG. 17 is a right elevational view of the earring illustrated in FIG. 15;

FIG. 18 is a left elevational view of the earring illustrated in FIG. 15;

FIG. 19 is a front view of the earring illustrated in FIG. 15;

FIG. 20 is a rear view of the earring illustrated in FIG. 15;

FIG. 21 is a perspective view of the earring illustrated in FIG. 15;

FIG. 22 is a top view of a fourth embodiment of the earring;

FIG. 23 is a bottom view of the earring illustrated in FIG. 22;

FIG. 24 is a right elevational view of the earring illustrated in FIG. 22;

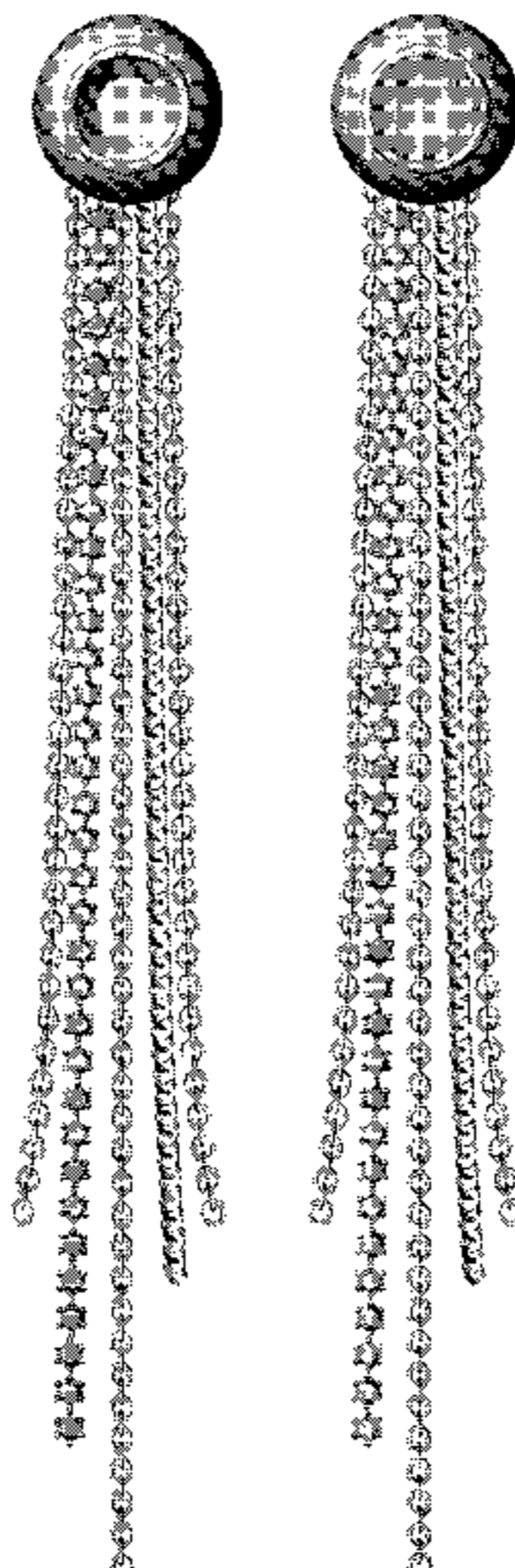
FIG. 25 is a left elevational view of the earring illustrated in FIG. 22;

FIG. 26 is a front view of the earring illustrated in FIG. 22;

FIG. 27 is a rear view of the earring illustrated in FIG. 22; and,

FIG. 28 is a perspective view of the earring illustrated in FIG. 22.

1 Claim, 18 Drawing Sheets



US D664,062 S

Page 2

U.S. PATENT DOCUMENTS

D32,246 S	2/1900	Bigney	
D40,581 S	3/1910	Finberg	
D59,469 S *	10/1921	Gagnon	D6/581
1,732,250 A	10/1929	Wehse	
D150,586 S *	8/1948	Katz	D11/43
D164,946 S	10/1951	Philippe	
D171,701 S *	3/1954	Katz	D11/43
D260,140 S	8/1981	Bicenko	
D267,634 S *	1/1983	Barr	D11/79
D279,883 S *	7/1985	Moon	D11/45
D287,577 S *	1/1987	Lorberfeld	D11/43
5,219,624 A *	6/1993	Kiapos et al.	428/28
D394,824 S *	6/1998	Itzkowitz	D11/79
D408,316 S	4/1999	Perrin et al.	
D434,184 S *	11/2000	Acker	D28/41
D489,024 S	4/2004	Beber et al.	
D499,046 S *	11/2004	Pinto et al.	D11/79
7,121,117 B2	10/2006	Gruosi-Scheufele	
D533,479 S	12/2006	Dubnicka	
D542,696 S	5/2007	Cilluffo	
D586,685 S	2/2009	Grassi Damiani	
D592,094 S *	5/2009	Vanden Berg	D11/83
D597,435 S	8/2009	Gruosi	
D624,843 S *	10/2010	Colombani	D11/43
D631,384 S *	1/2011	Papadimitriou	D11/79
D631,385 S *	1/2011	Lebail	D11/43
D631,386 S *	1/2011	Ventura	D11/79
D632,605 S *	2/2011	Marchand	D11/43
D637,104 S *	5/2011	Papadimitriou	D11/43
D639,694 S *	6/2011	Papadimitriou	D11/43
D640,585 S *	6/2011	Nolan	D11/86
D643,325 S *	8/2011	Marchand	D11/79

* cited by examiner

FIG. 1

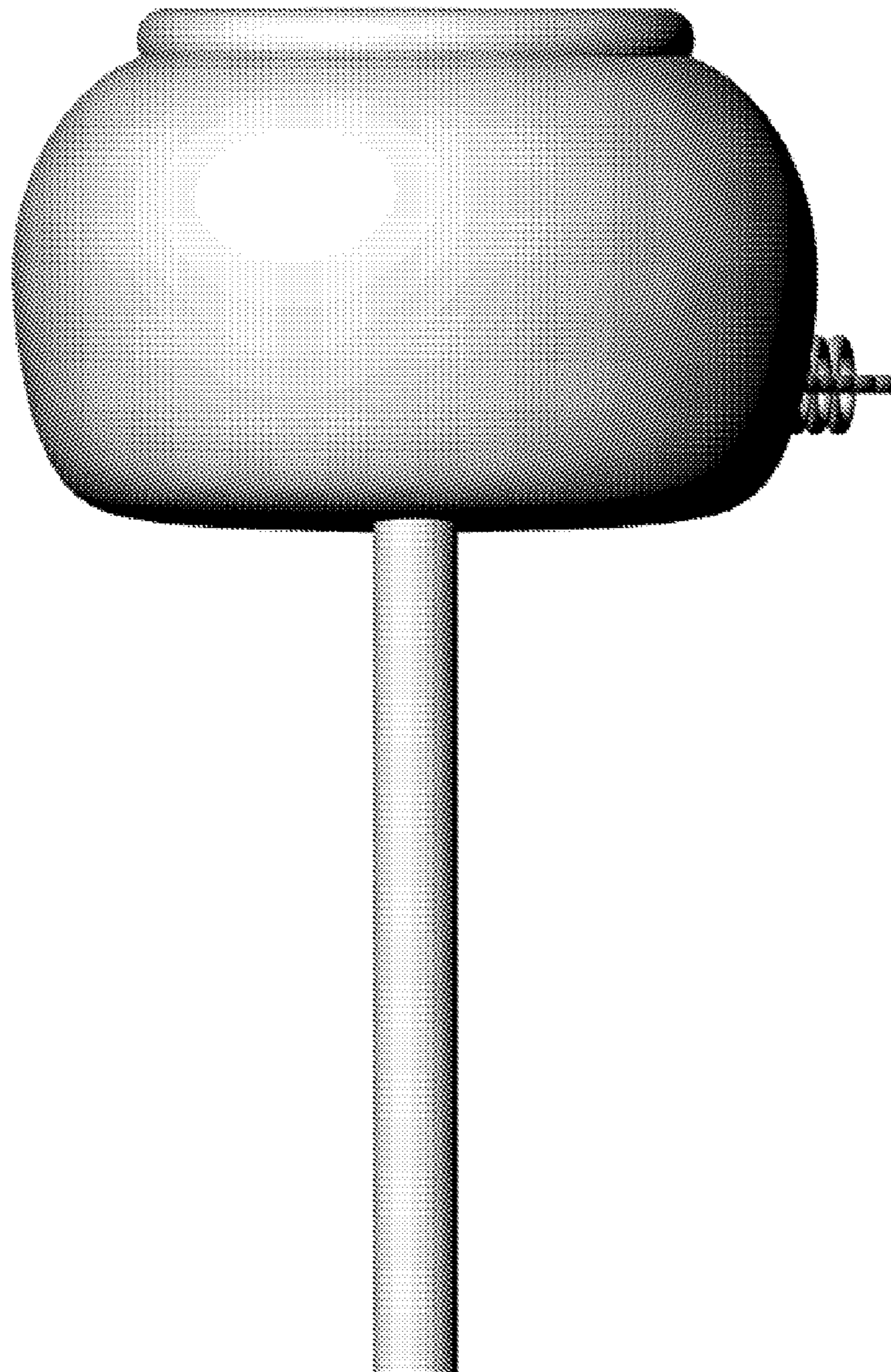
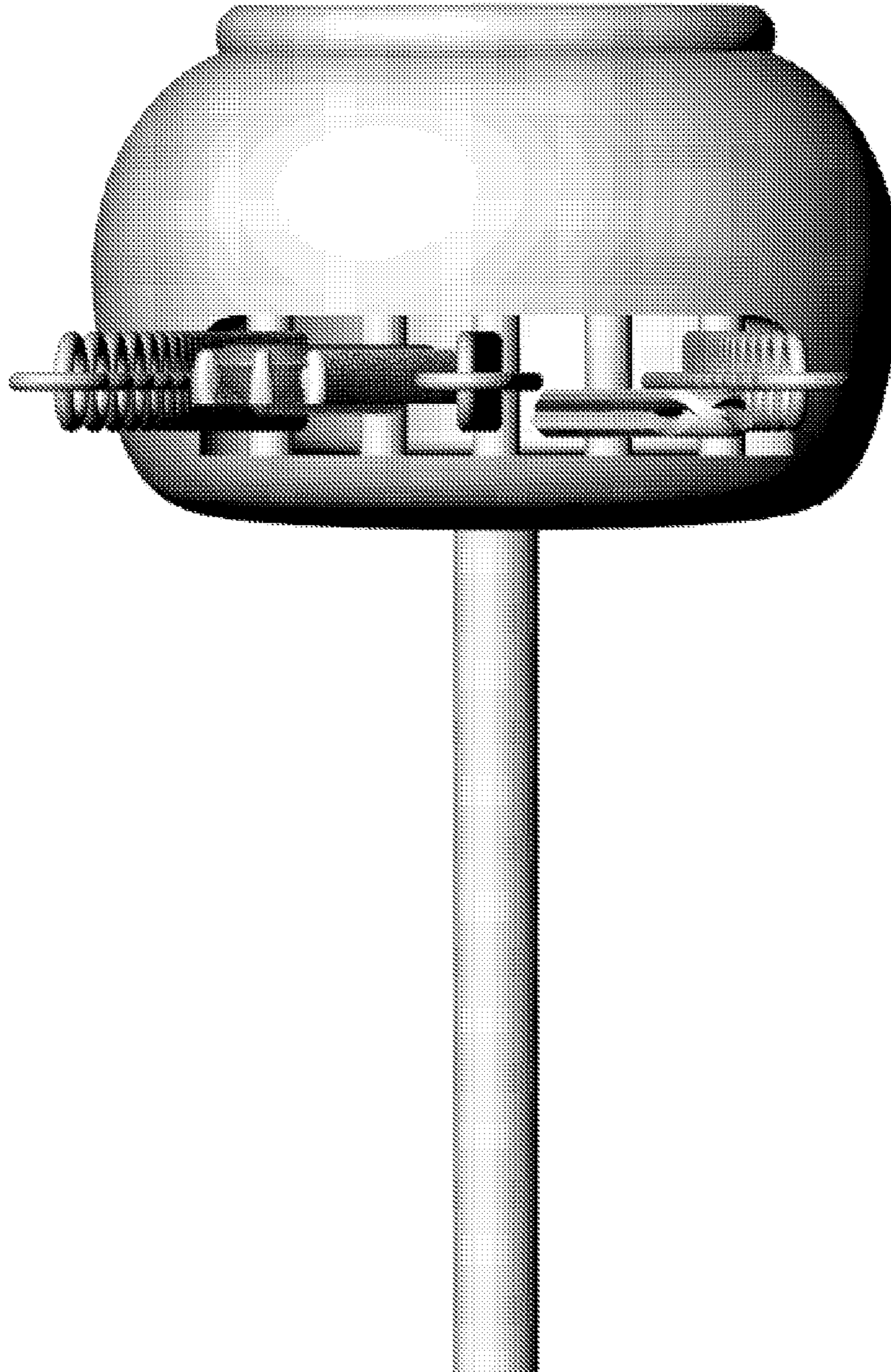


FIG. 2



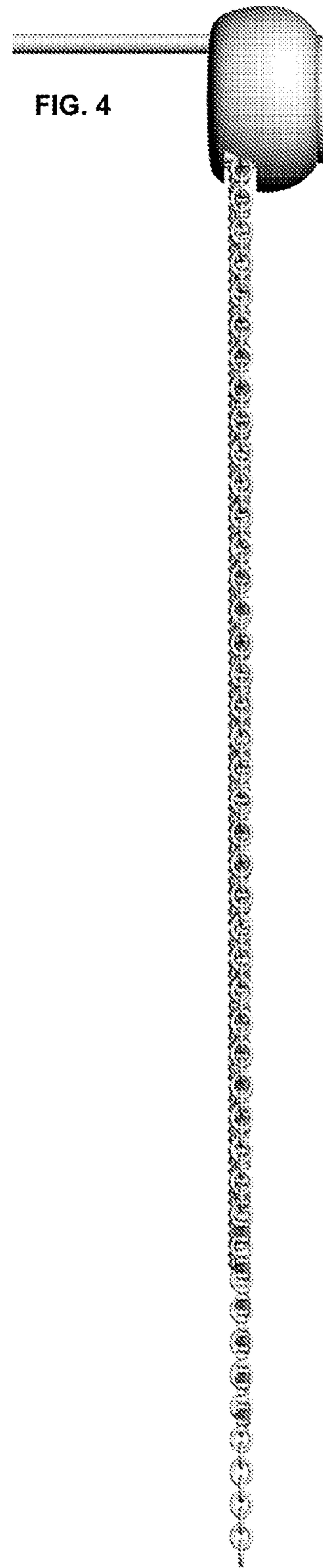
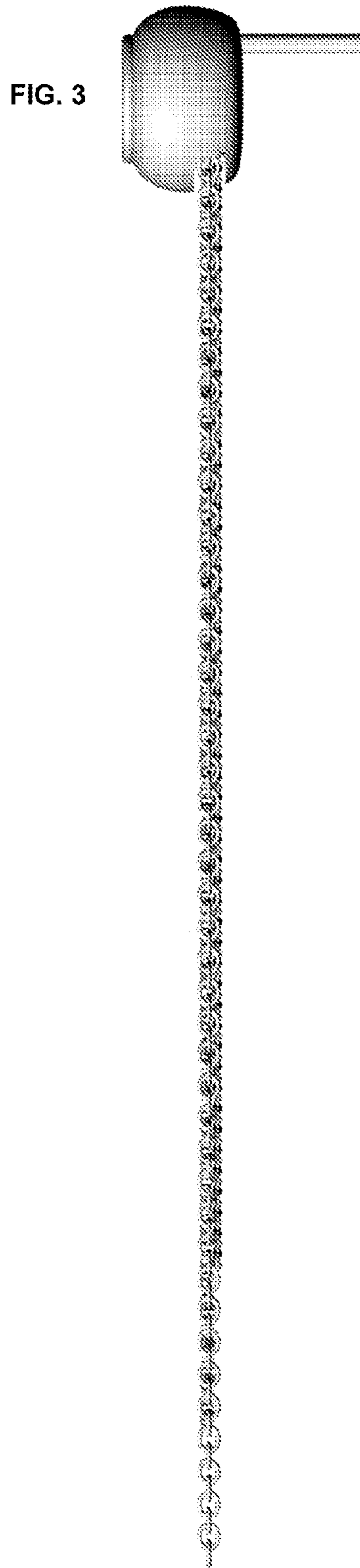


FIG. 5

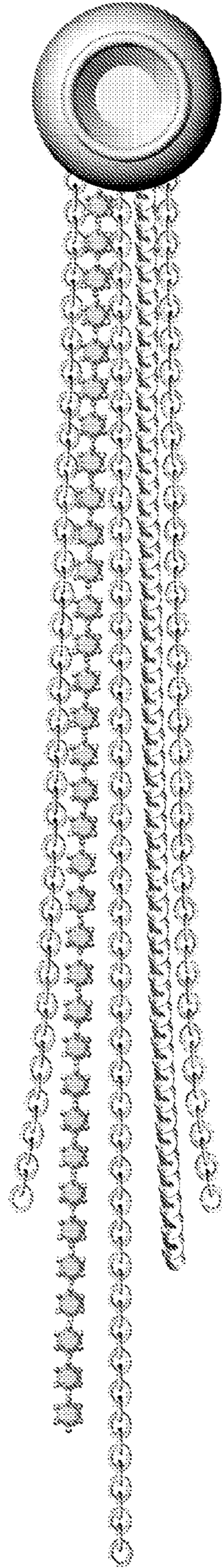


FIG. 6

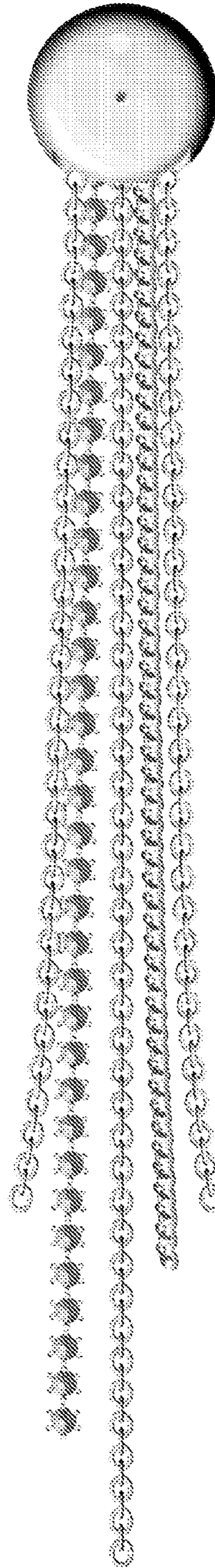


FIG. 7

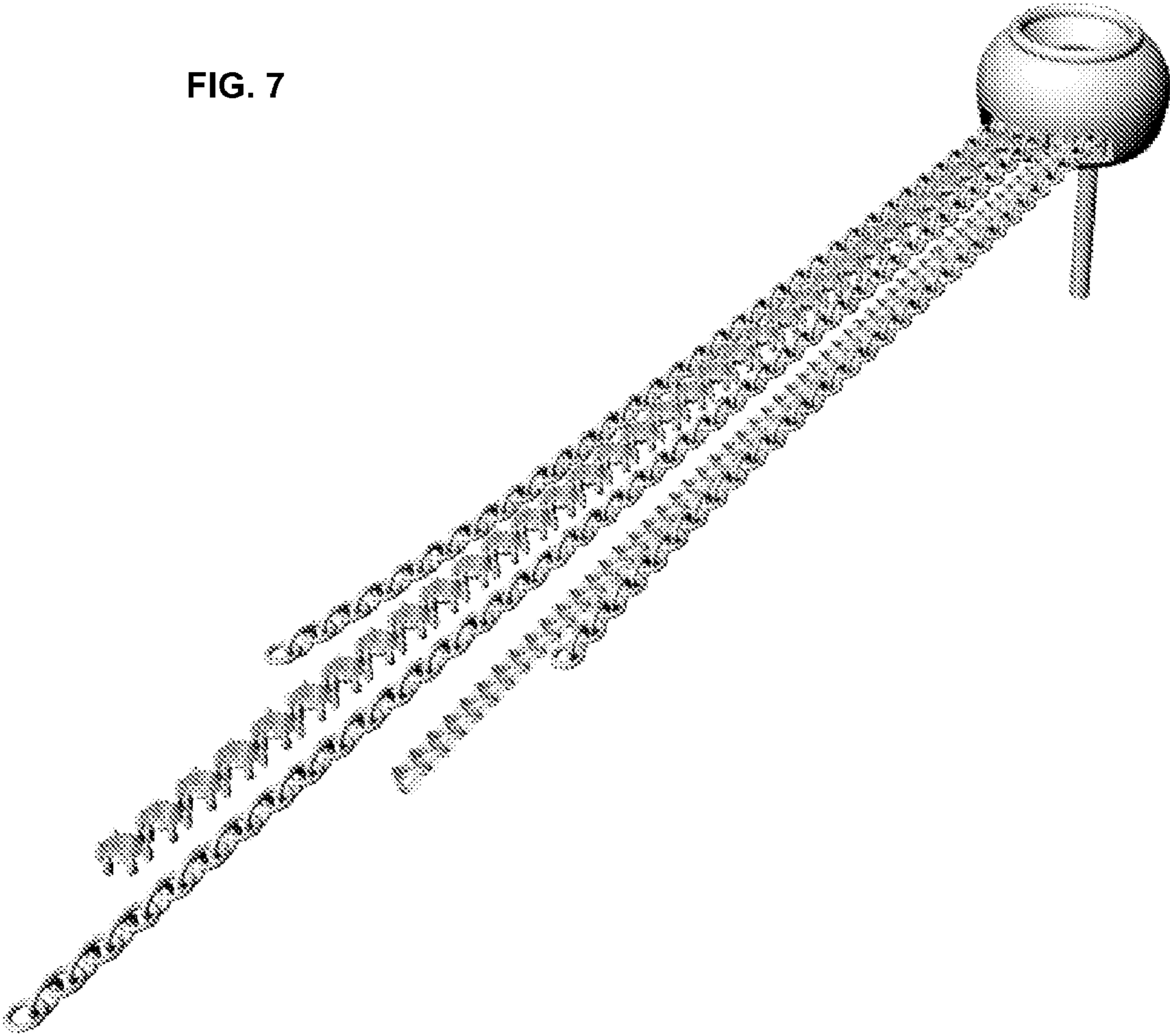


FIG. 8

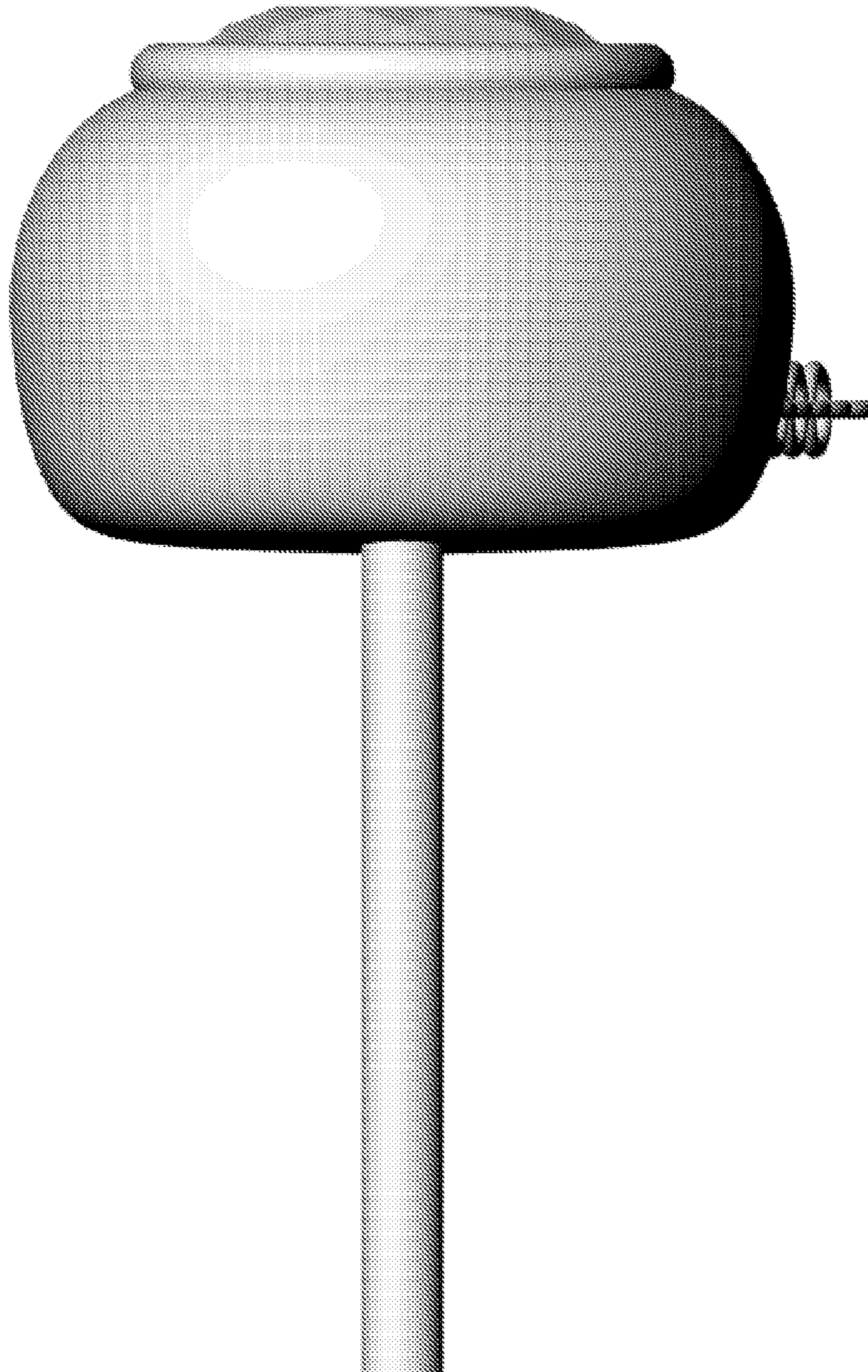
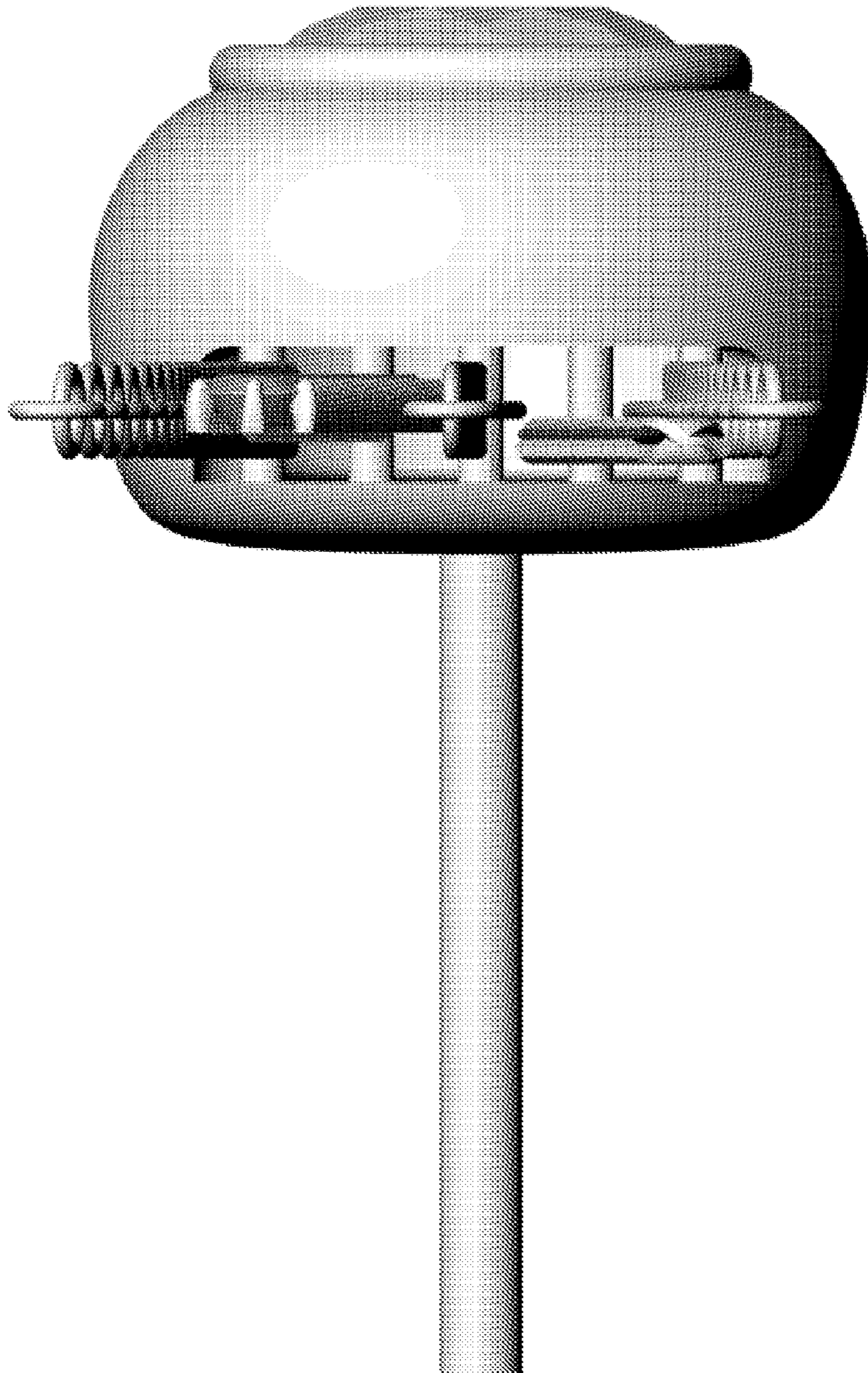


FIG. 9



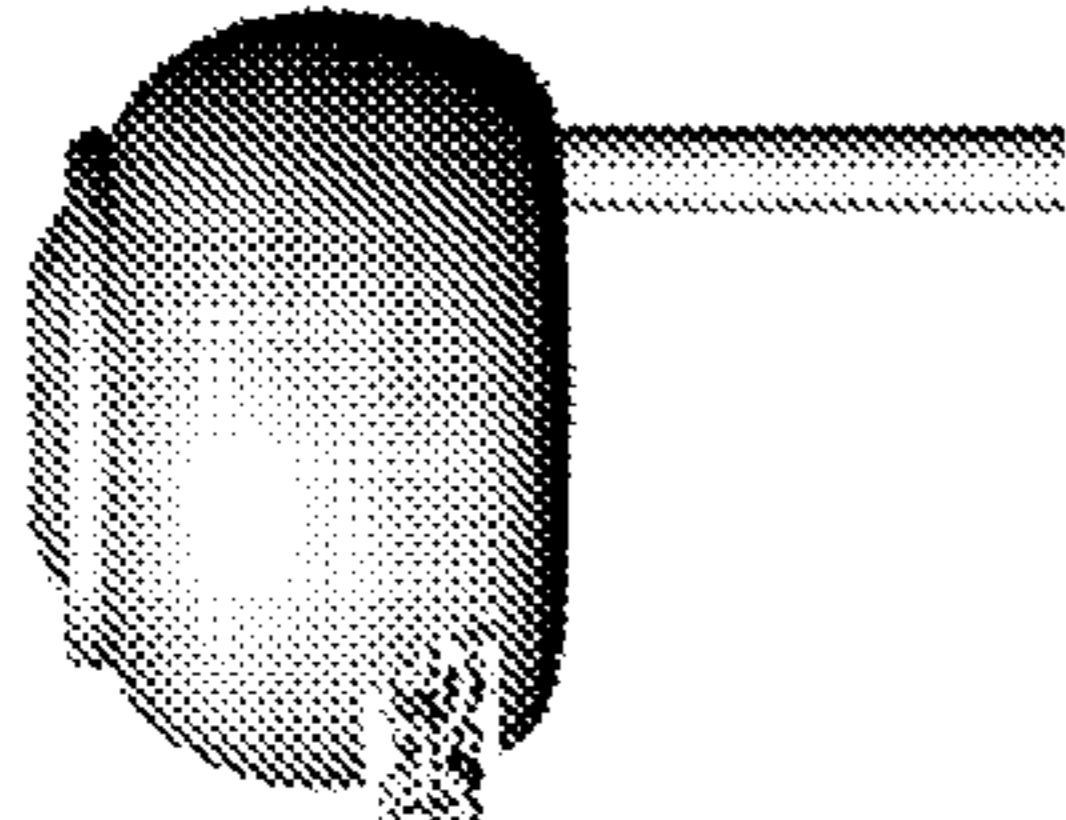


FIG. 10

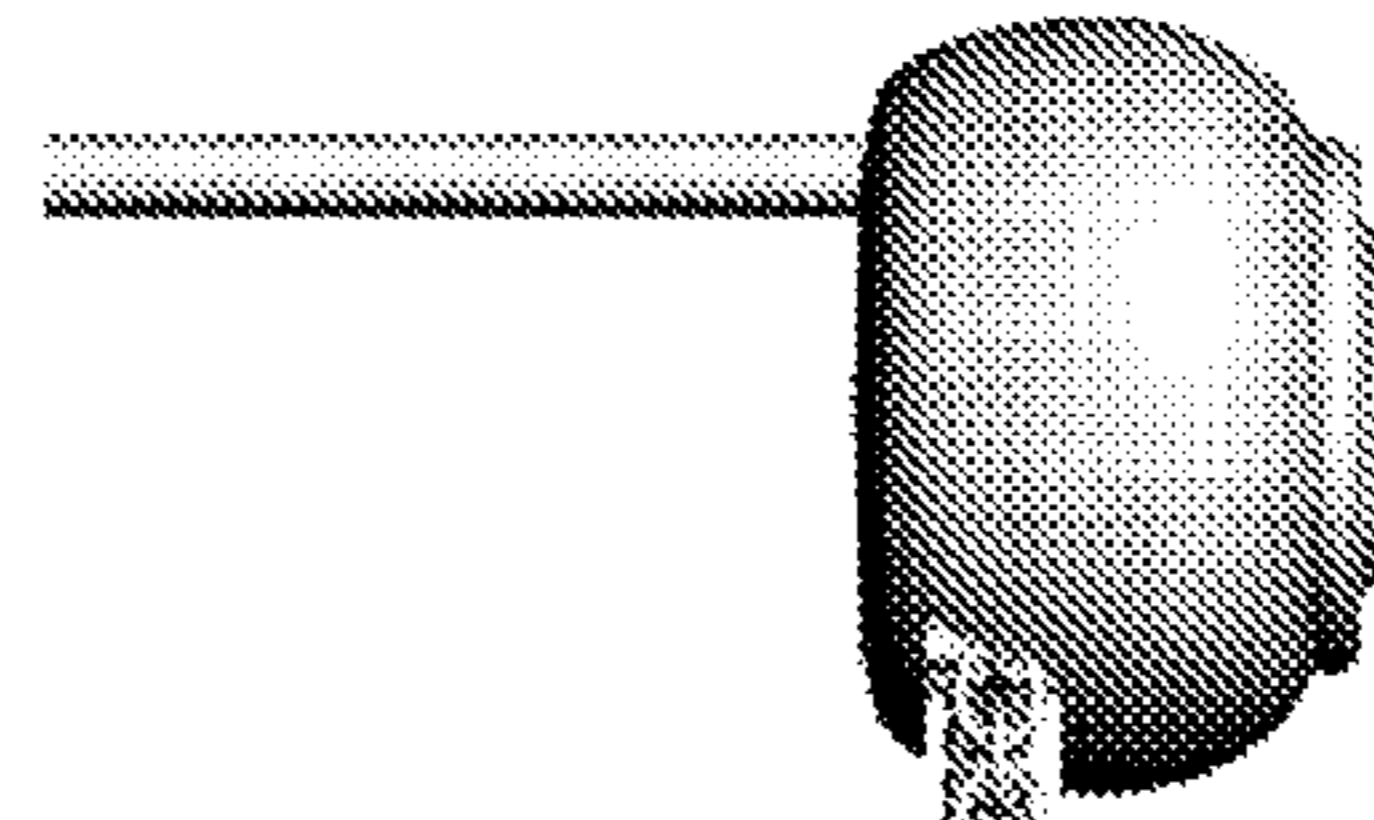


FIG. 11

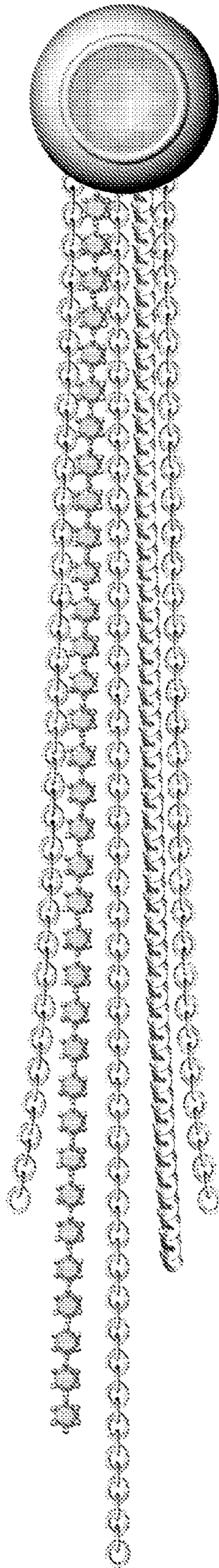


FIG. 12

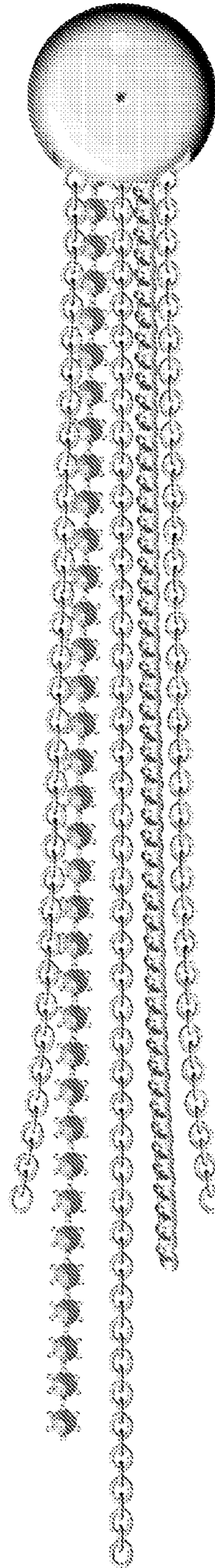


FIG. 13

FIG. 14

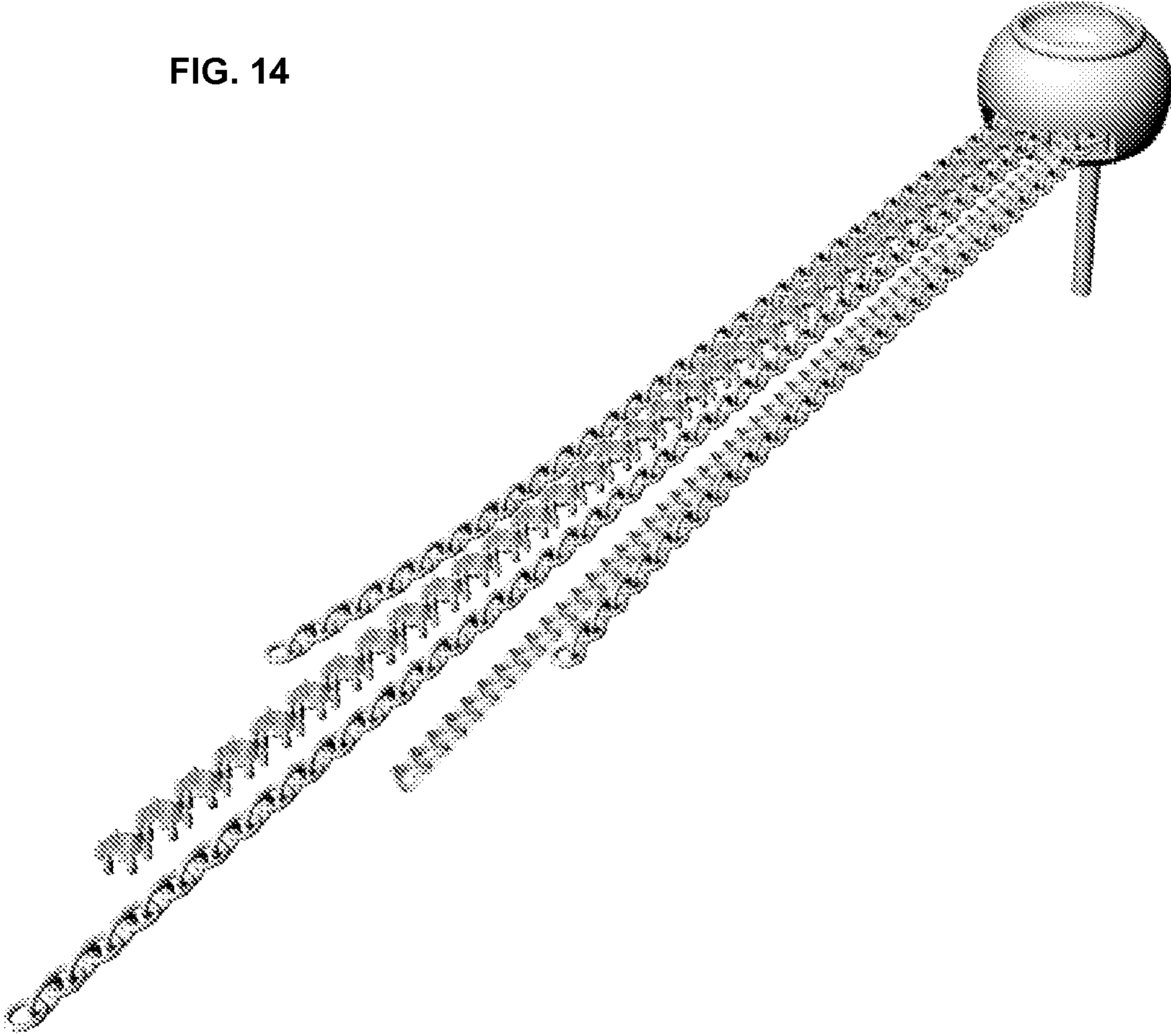


FIG. 15

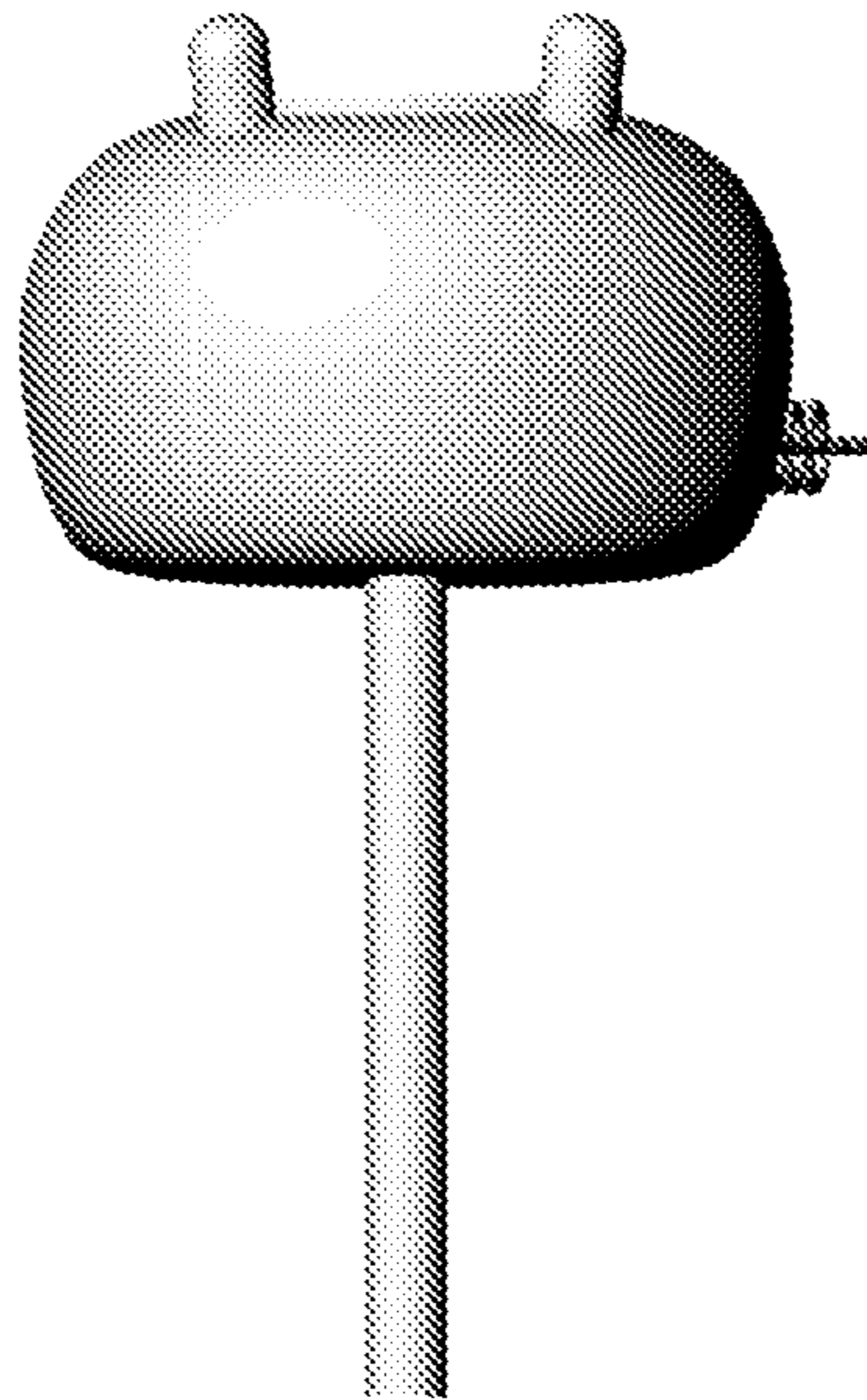
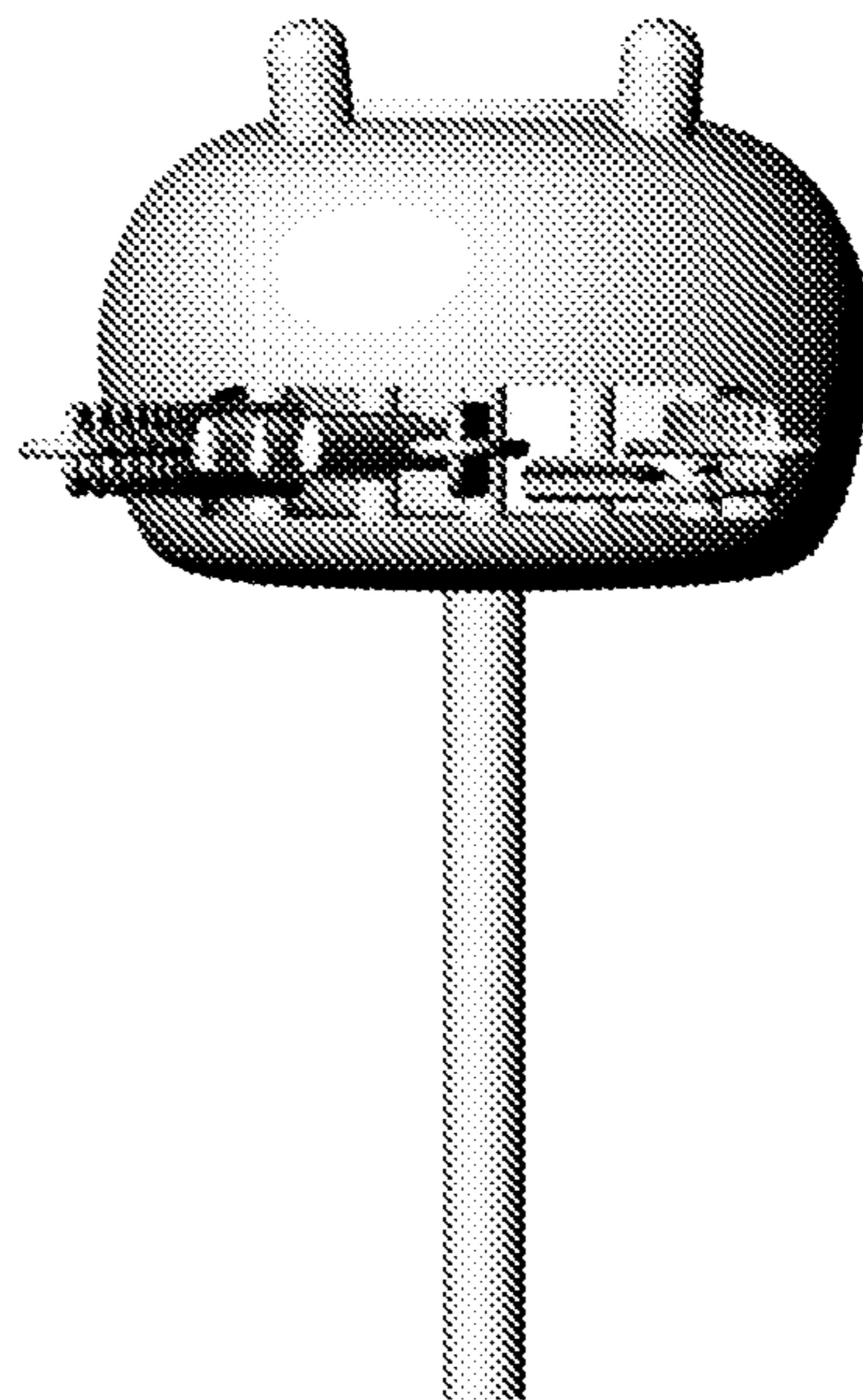


FIG. 16



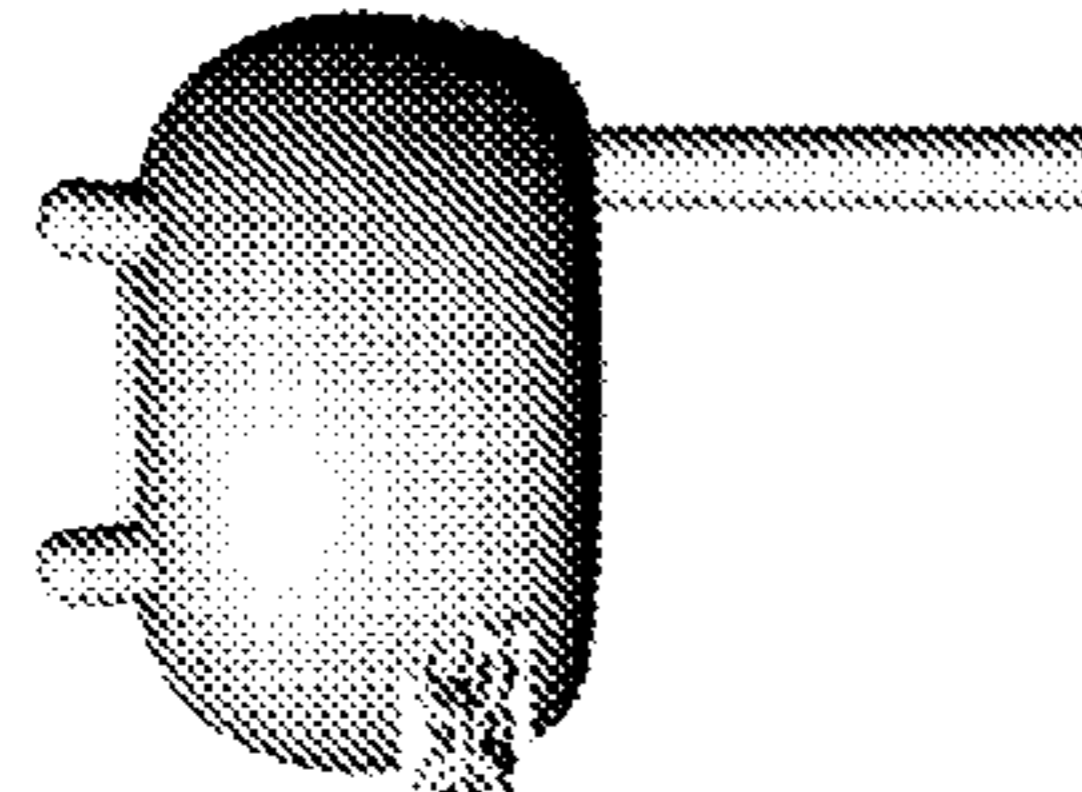


FIG. 17

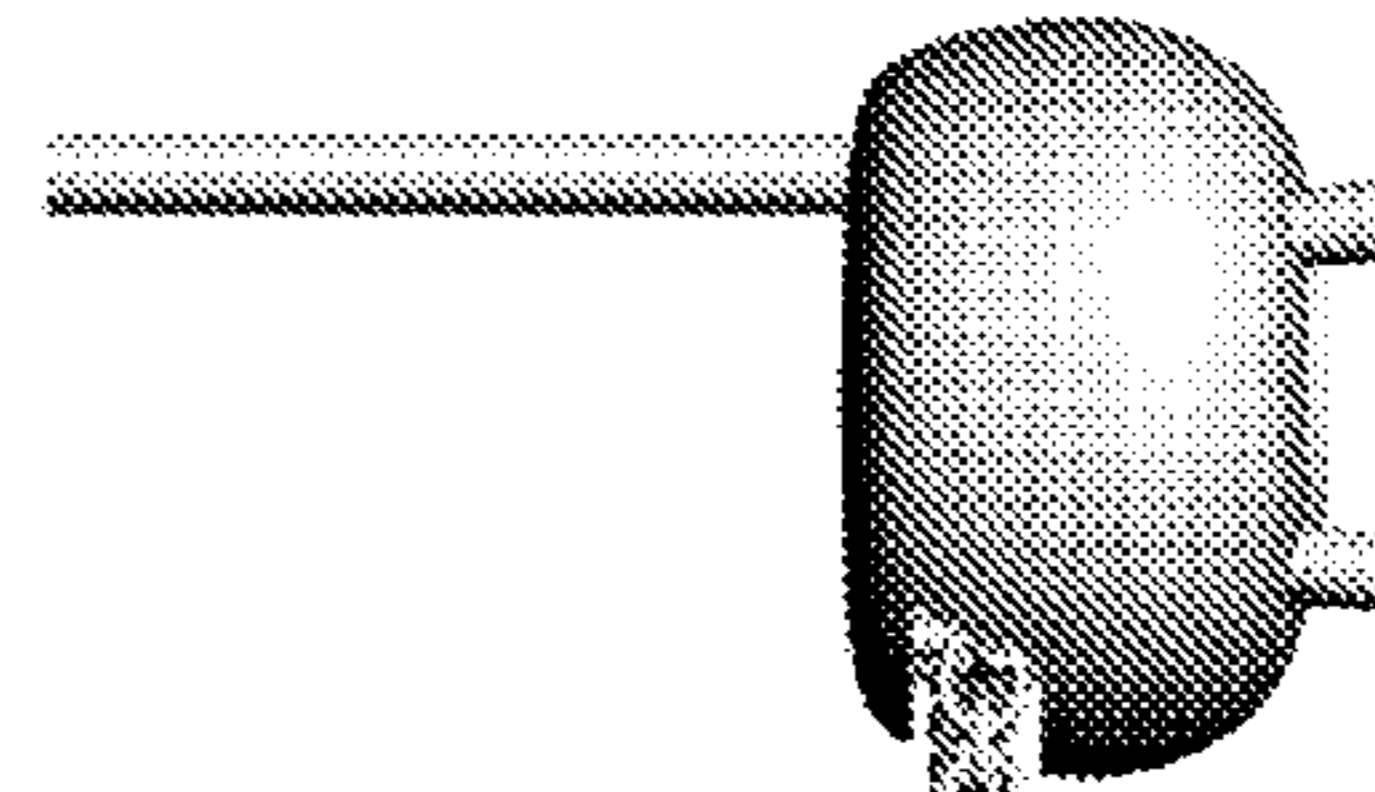


FIG. 18

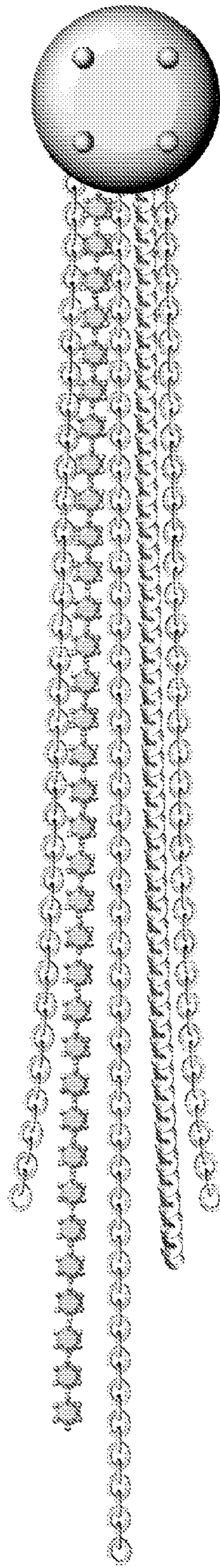


FIG. 19

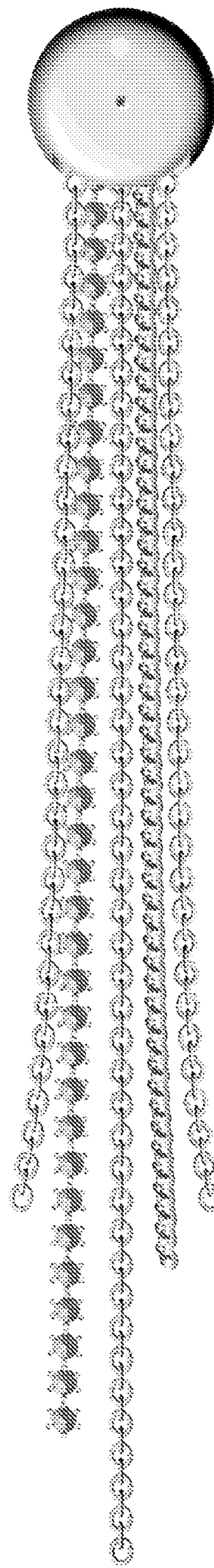


FIG. 20

FIG. 21

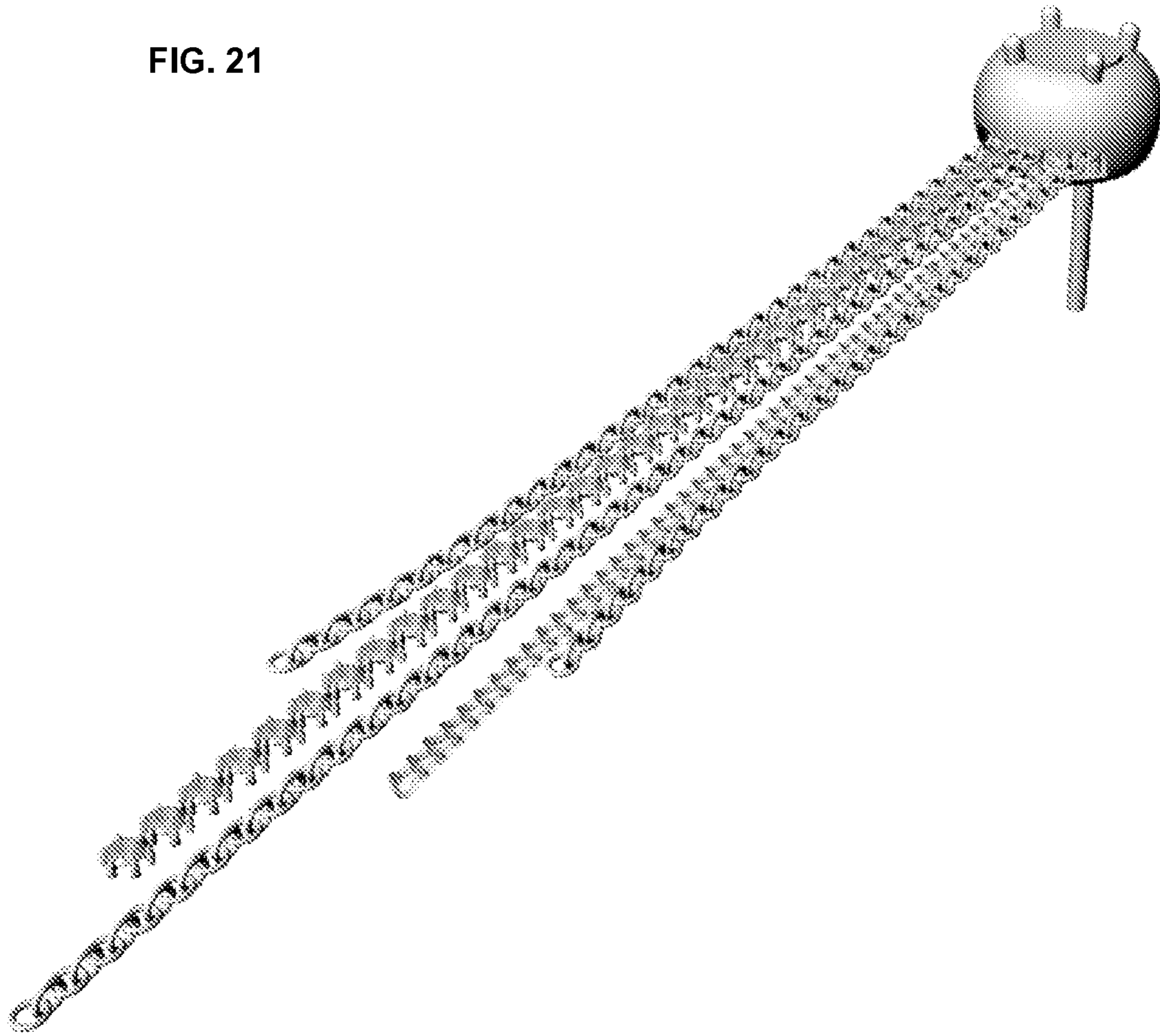


FIG. 22

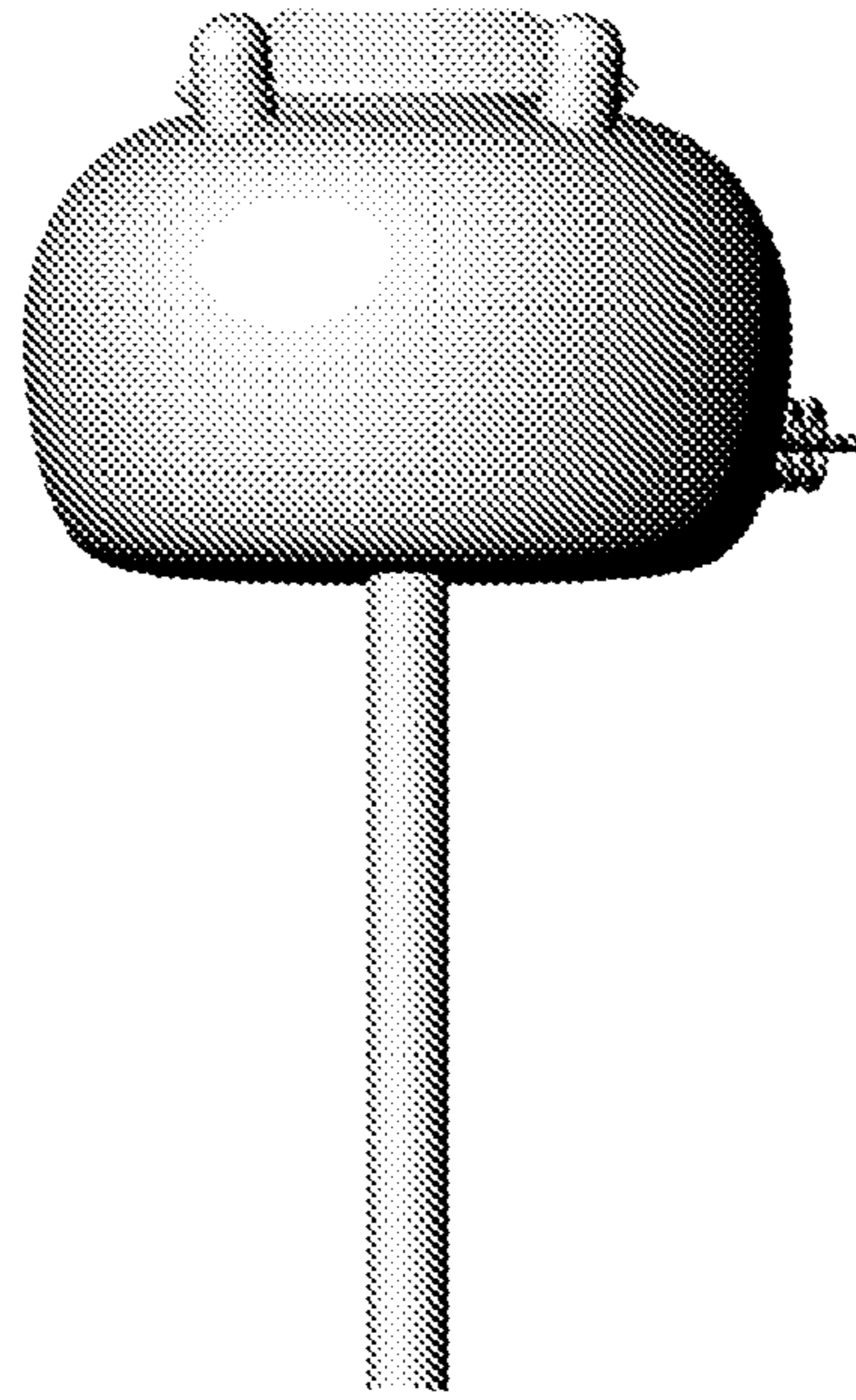
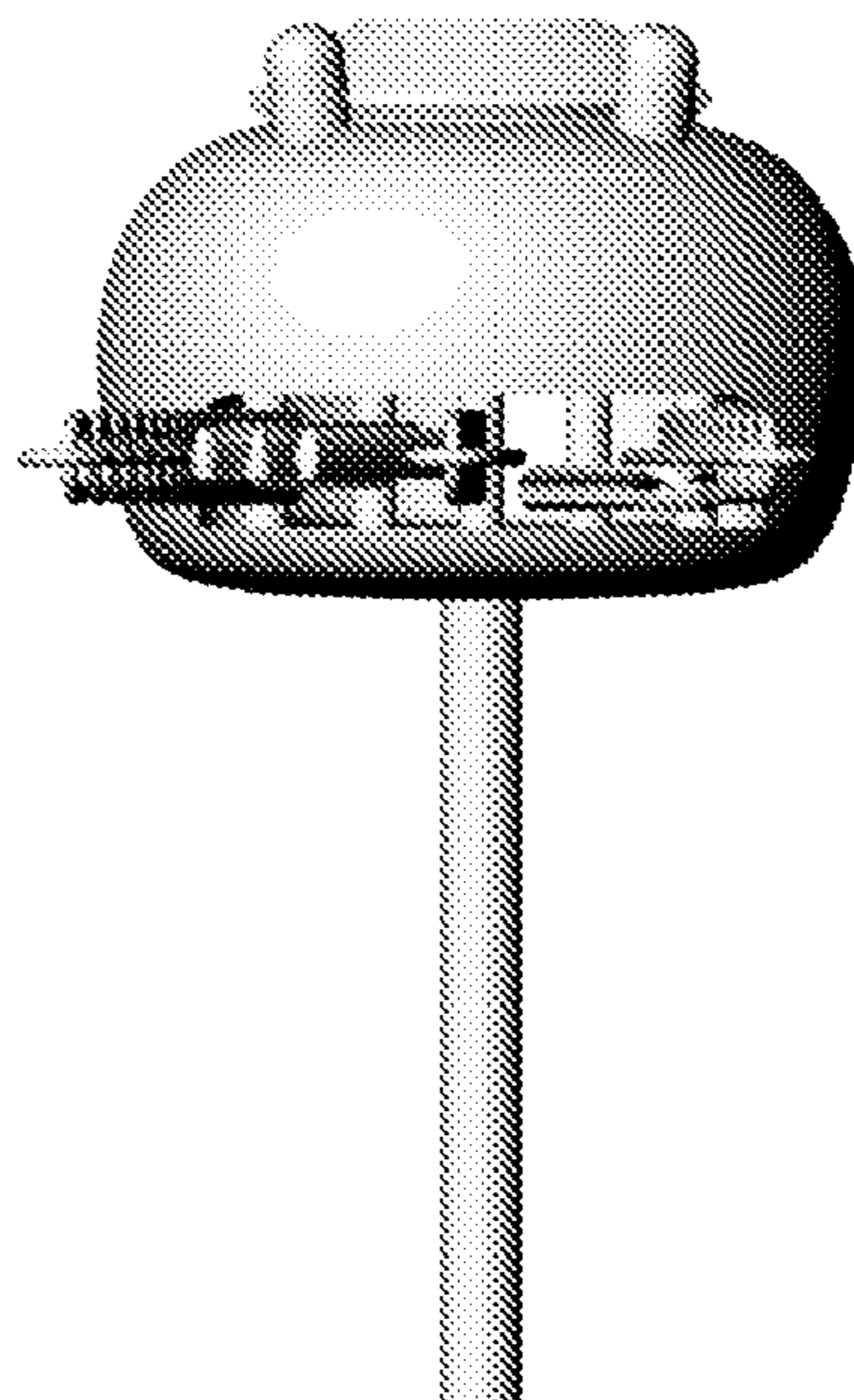


FIG. 23



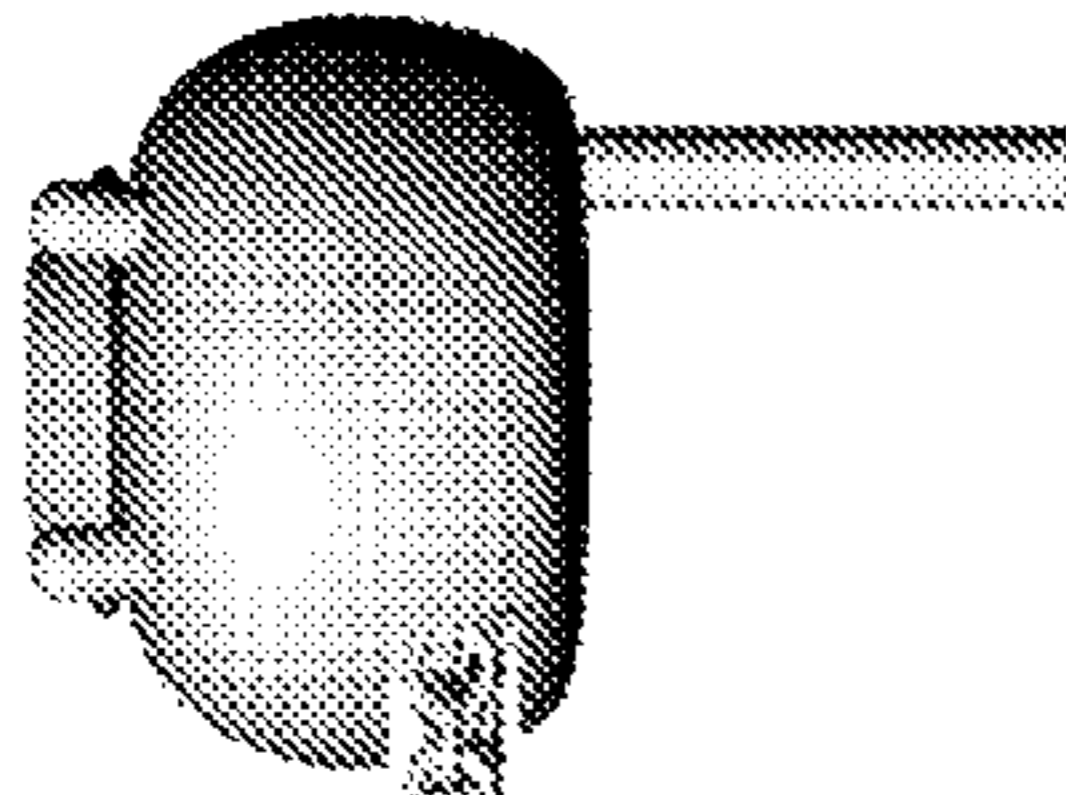


FIG. 24

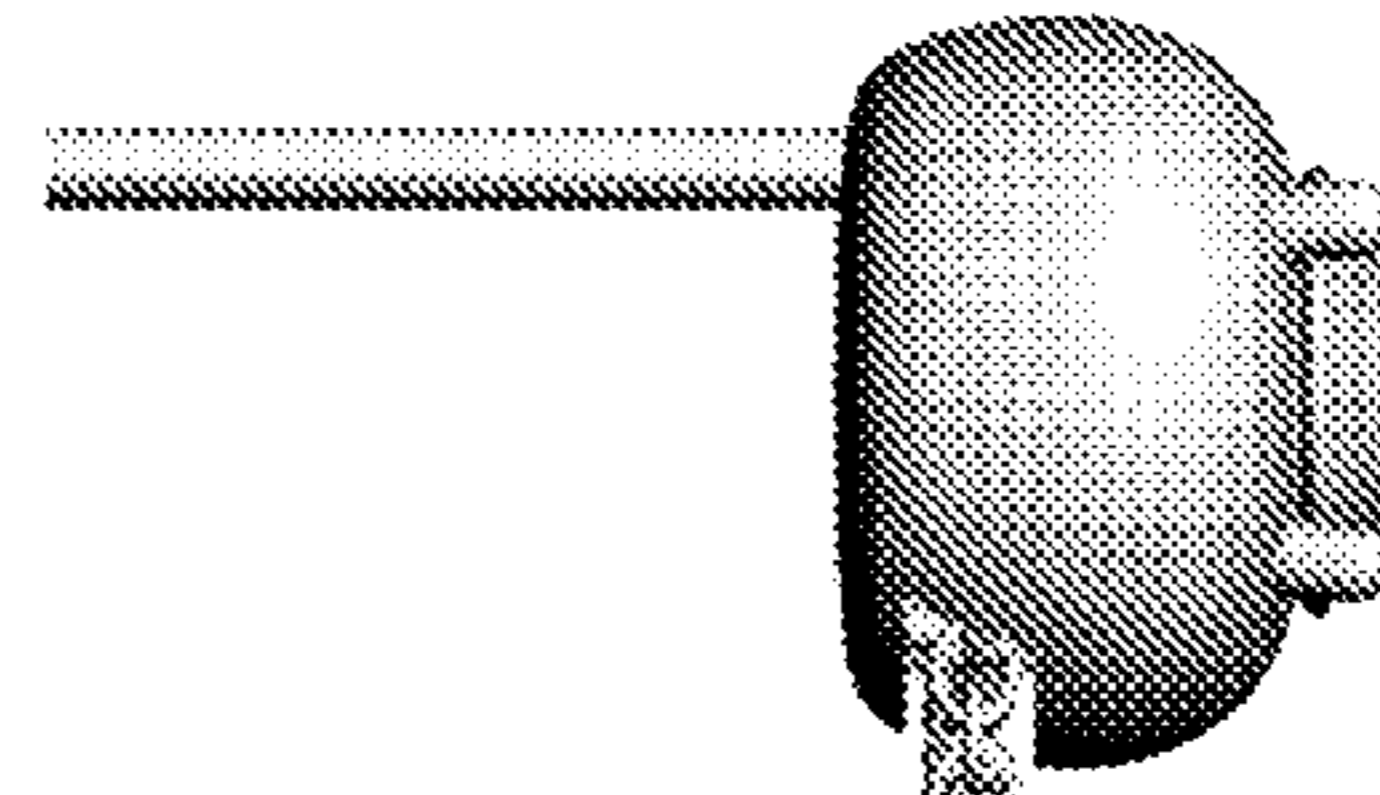


FIG. 25

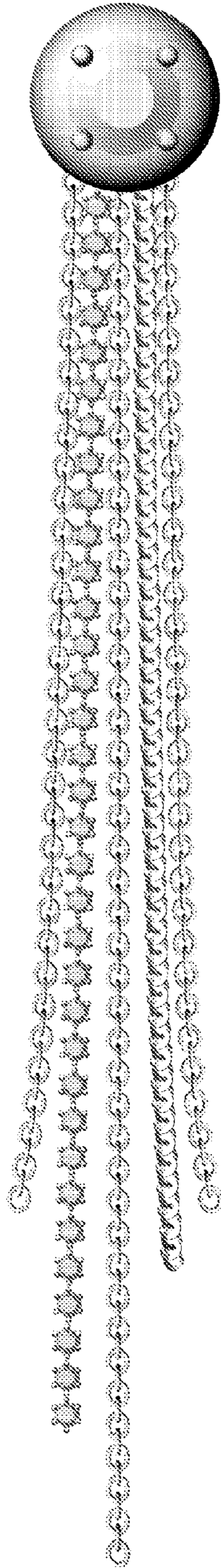


FIG. 26

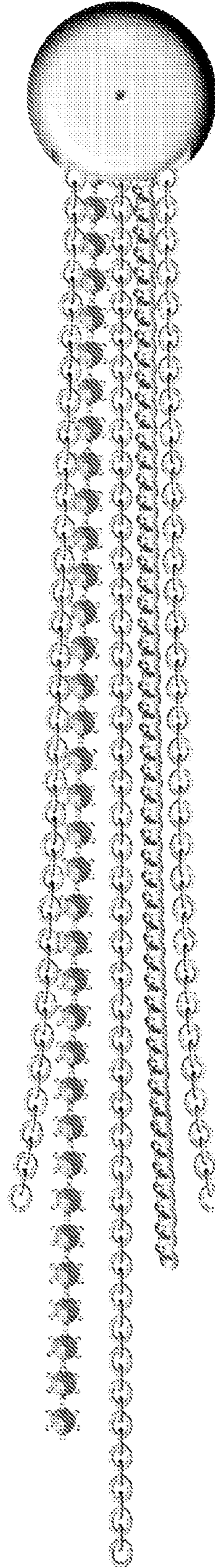


FIG. 27

FIG. 28

