

US00D664058S

(12) **United States Design Patent**
Robinson

(10) **Patent No.:** **US D664,058 S**
(45) **Date of Patent:** **** Jul. 24, 2012**

(54) **PAIR OF HAND SIGNALING GLOVES**

(76) Inventor: **Larry L. Robinson**, Rockaway, NY
(US)

(**) Term: **14 Years**

(21) Appl. No.: **29/406,457**

(22) Filed: **Nov. 15, 2011**

(51) **LOC (9) Cl.** **10-05**

(52) **U.S. Cl.** **D10/114.9**

(58) **Field of Classification Search** D10/109.1,
D10/114.9, 113.2; D20/10; 40/610; 116/63 P,
116/35 R; 362/103; 2/160; 359/519, 517;
442/132

See application file for complete search history.

(56) **References Cited**

U.S. PATENT DOCUMENTS

1,630,730	A *	5/1927	Daugherty	116/35 R
2,581,549	A	1/1952	McGaugh		
2,787,975	A	4/1957	Dunn		
3,638,011	A	1/1972	Bain et al.		
RE30,892	E *	3/1982	Bingham et al.	442/132
D364,357	S *	11/1995	Ledgerwood, II	D10/33
6,006,357	A	12/1999	Mead		
6,592,235	B1	7/2003	Mayo		
7,152,248	B2	12/2006	Ziemer		
7,163,308	B2 *	1/2007	Ferrari et al.	362/103

7,503,667	B2	3/2009	Wilkins		
7,959,314	B1 *	6/2011	Rodriguez	362/103
2006/0092624	A1	5/2006	Park		
2006/0109645	A1 *	5/2006	Ferrari et al.	362/103
2007/0076408	A1 *	4/2007	Abas	362/103
2008/0225514	A1 *	9/2008	Stokes	362/103
2011/0310593	A1 *	12/2011	Lee et al.	362/103

* cited by examiner

Primary Examiner — George D Kirschbaum

(74) *Attorney, Agent, or Firm* — Richard L. Miller

(57) **CLAIM**

The ornamental design for a pair of hand signaling gloves, as shown and described.

DESCRIPTION

FIG. 1 is a left back end three quarter perspective view of a hand signaling glove for a right hand glove showing my new design it being understood that all the view for a left hand glove are mirror images of those herein presented;

FIG. 2 is a back side elevational view thereof;

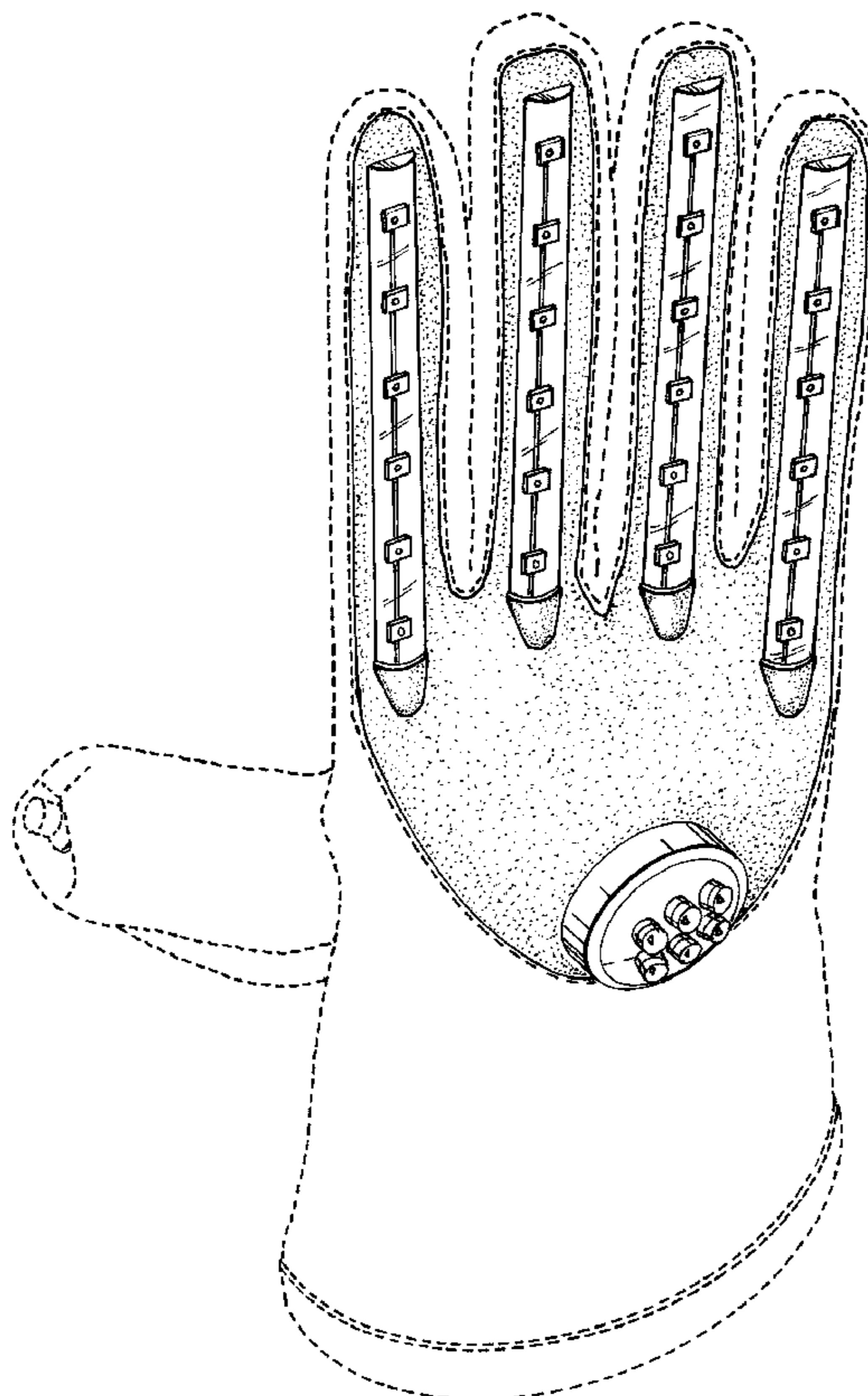
FIG. 3 is a right side elevational view thereof;

FIG. 4 is a left side elevational view thereof; and,

FIG. 5 is an end plan view thereof.

It is to be understood that any portion of any figure shown in broken lines are for environmental purposes only and form no part of the claimed design.

1 Claim, 4 Drawing Sheets



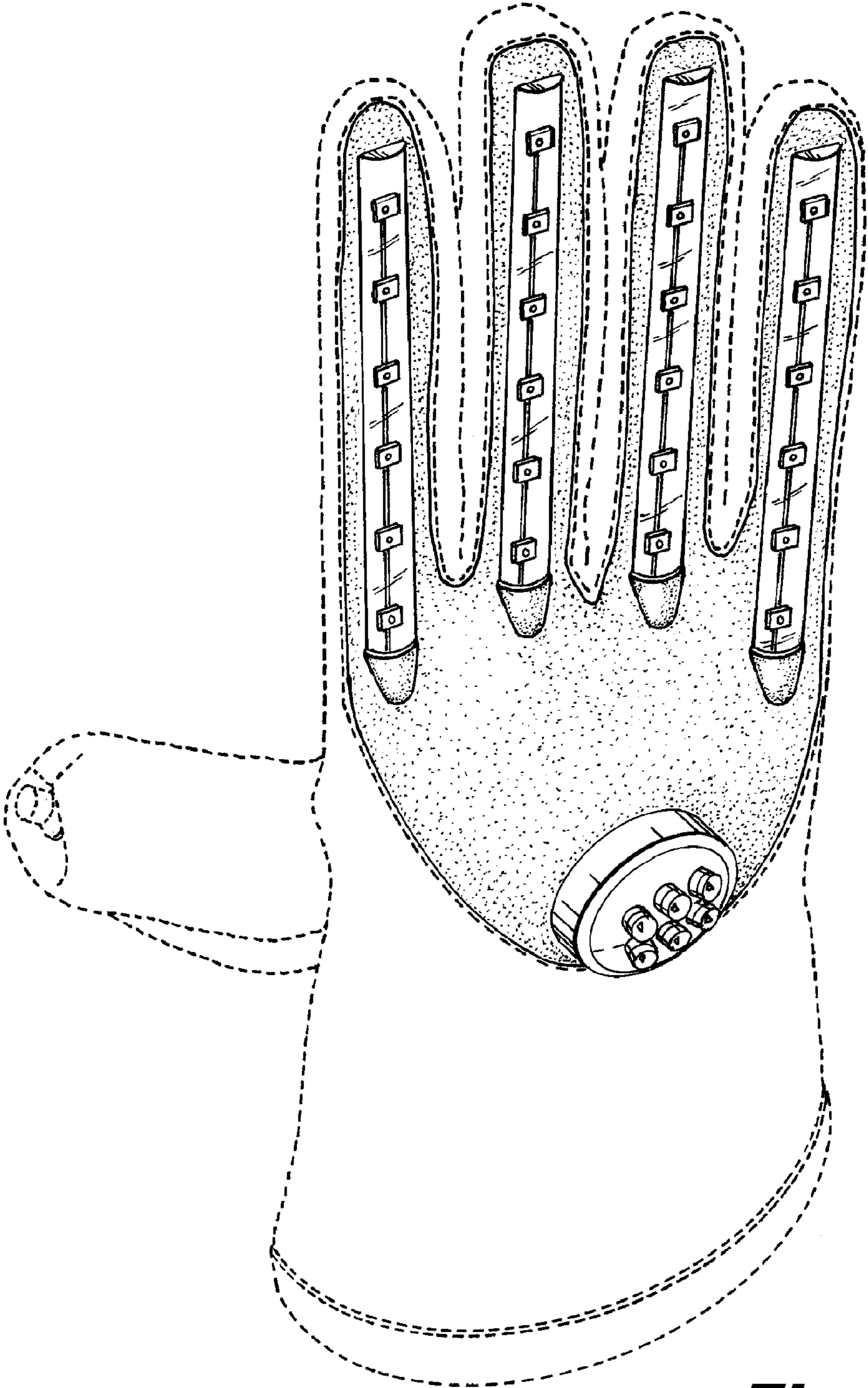


Fig. 1

Fig. 2

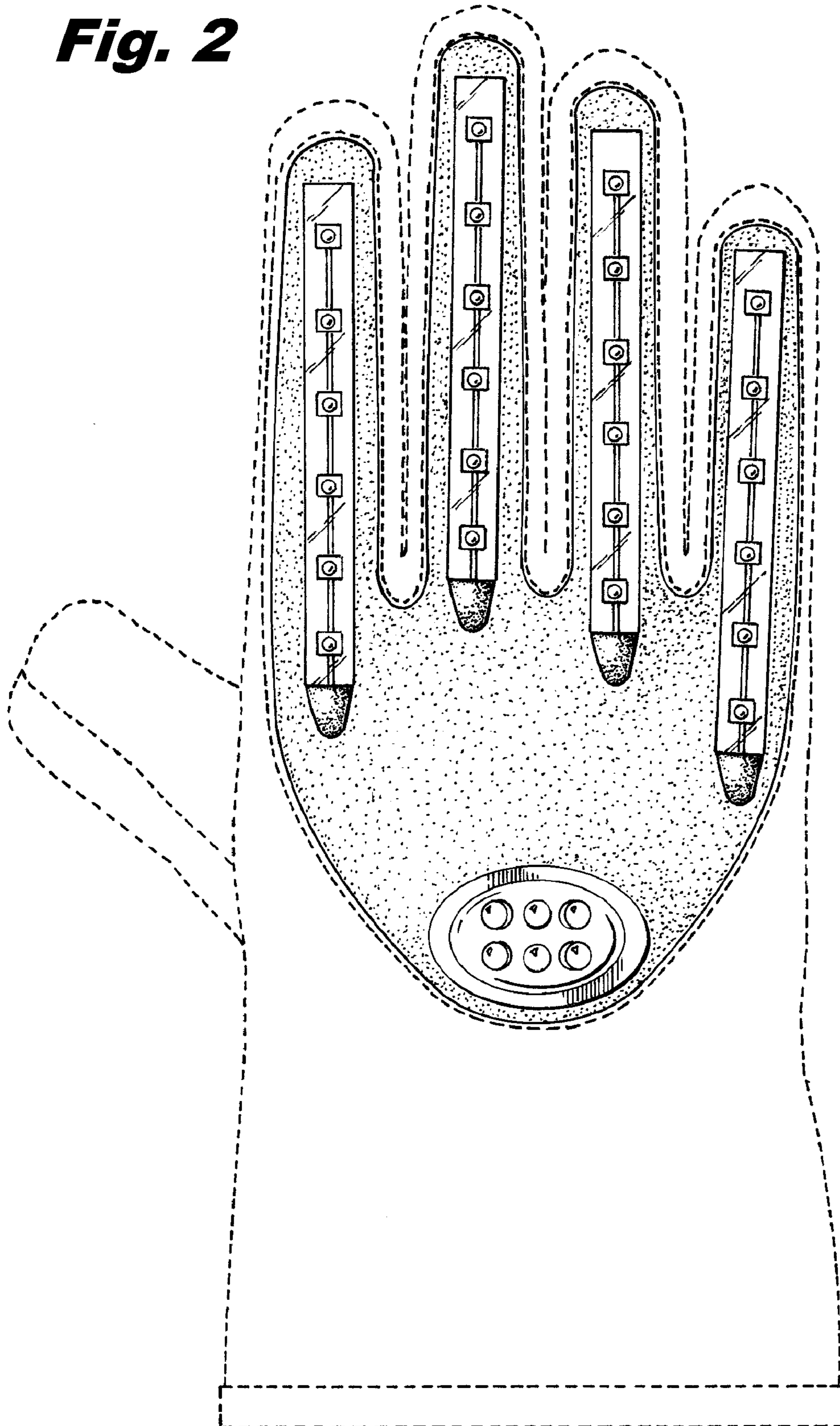


Fig. 3

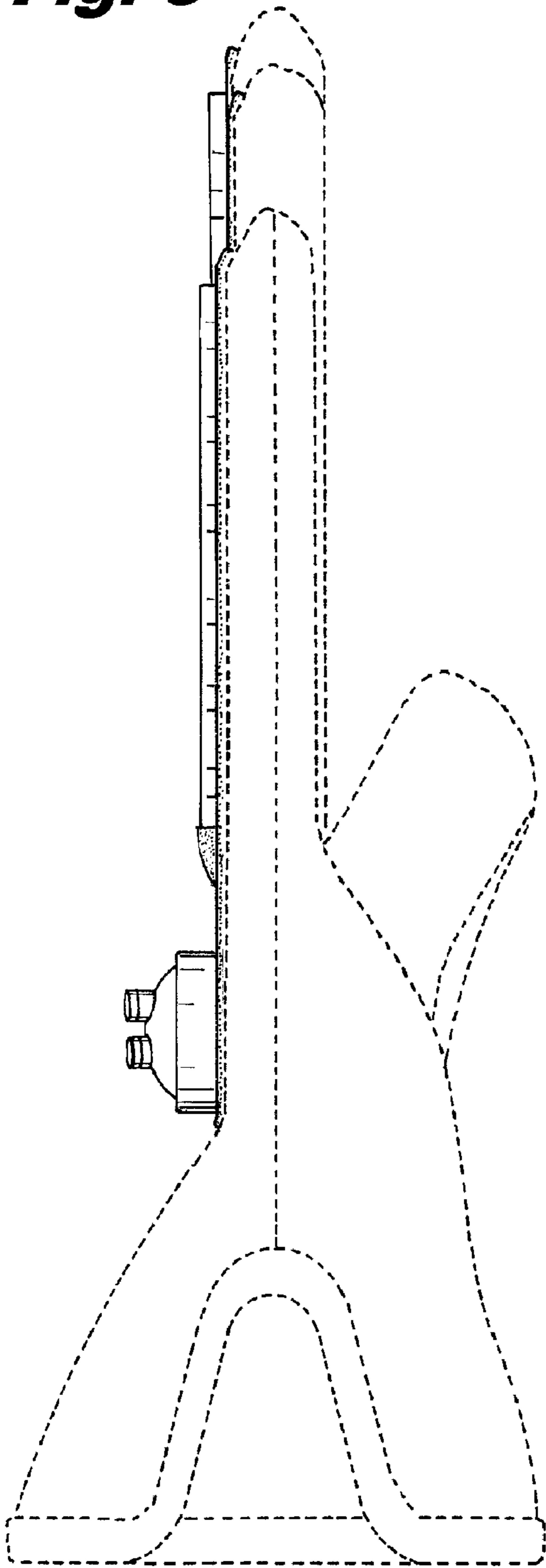
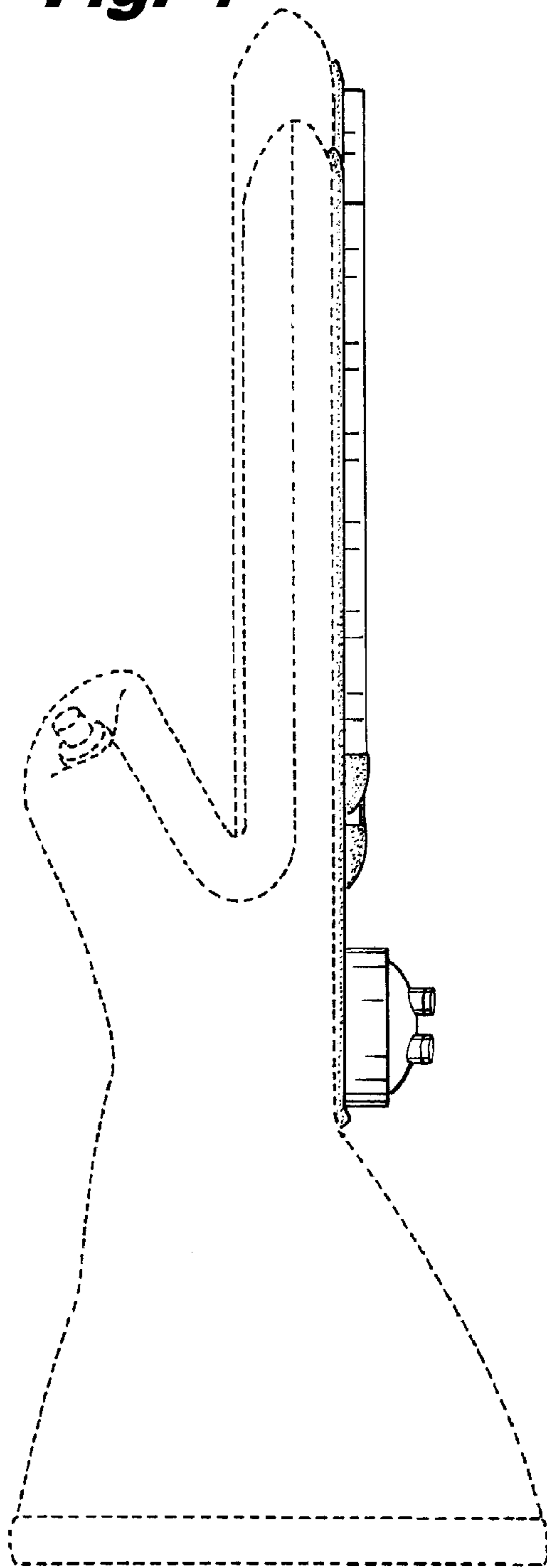


Fig. 4



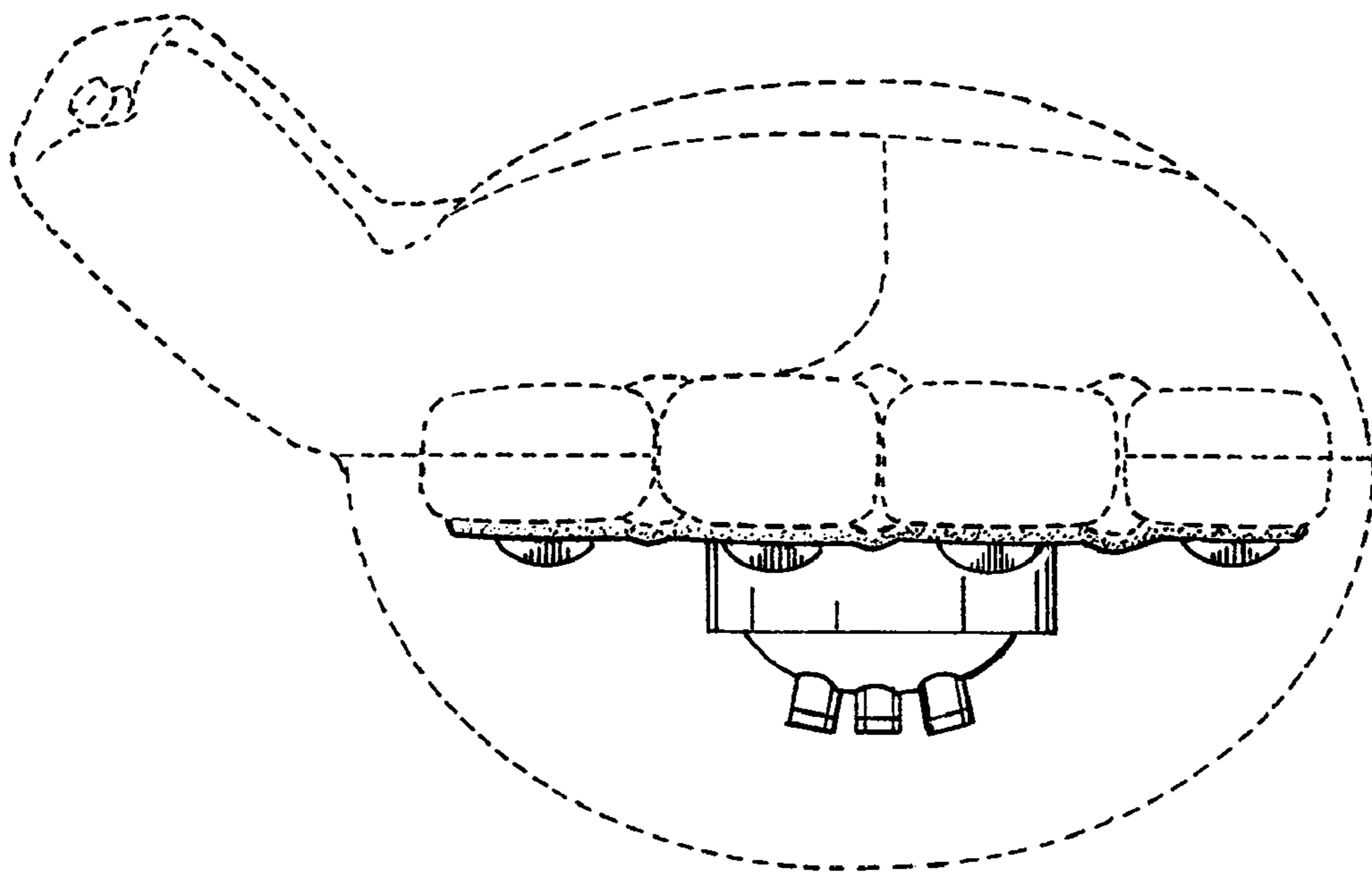


Fig. 5