

US00D664054S

(12) **United States Design Patent**
Varieur

(10) **Patent No.:** **US D664,054 S**

(45) **Date of Patent:** **** Jul. 24, 2012**

(54) **PULL STATION**

(75) Inventor: **Steven T. Varieur**, Winchendon, MA
(US)

(73) Assignee: **SimplexGrinnell LP**, Westminster, MA
(US)

(**) Term: **14 Years**

(21) Appl. No.: **29/394,547**

(22) Filed: **Jun. 17, 2011**

Related U.S. Application Data

(63) Continuation of application No. 13/074,994, filed on
Mar. 29, 2011.

(51) **LOC (9) Cl.** **10-05**

(52) **U.S. Cl.** **D10/106.95**

(58) **Field of Classification Search** D10/106.1,
D10/106.95; D13/158, 168; 340/562, 287,
340/297, 302, 299, 540, 545, 346, 547, 565-566
See application file for complete search history.

(56) **References Cited**

U.S. PATENT DOCUMENTS

4,551,707 A * 11/1985 Simpson 340/287
D428,351 S * 7/2000 Hohlfelder D10/106.1
6,380,846 B1 * 4/2002 Hohlfelder 340/286.05

6,632,108 B1 * 10/2003 Hohlfelder 439/709
D561,057 S * 2/2008 Jones D10/106.1
D566,599 S * 4/2008 Jones D10/106.1
D566,600 S * 4/2008 Jones D10/106.1
D566,601 S * 4/2008 Jones D10/106.1
7,408,477 B2 * 8/2008 Finkle et al. 340/693.5

* cited by examiner

Primary Examiner — George D Kirschbaum

(74) *Attorney, Agent, or Firm* — Kacvinsky Daisak PLLC

(57) **CLAIM**

I claim the ornamental design for a pull station, substantially
as shown and described.

DESCRIPTION

FIG. 1 is a perspective view of my new design in the unacti-
vated position;

FIG. 2 is a front view of the design of FIG. 1;

FIG. 3 is a right side view of the design of FIG. 1;

FIG. 4 is a left side view of the design of FIG. 1;

FIG. 5 is a top plan view of the design of FIG. 1;

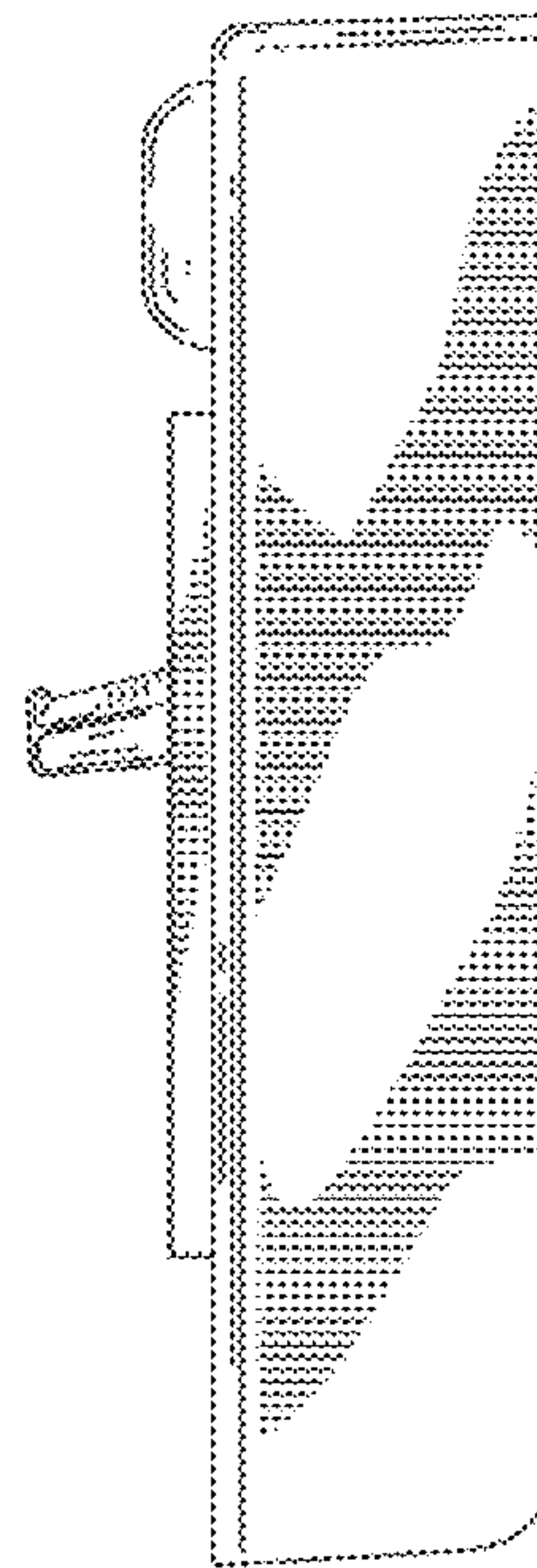
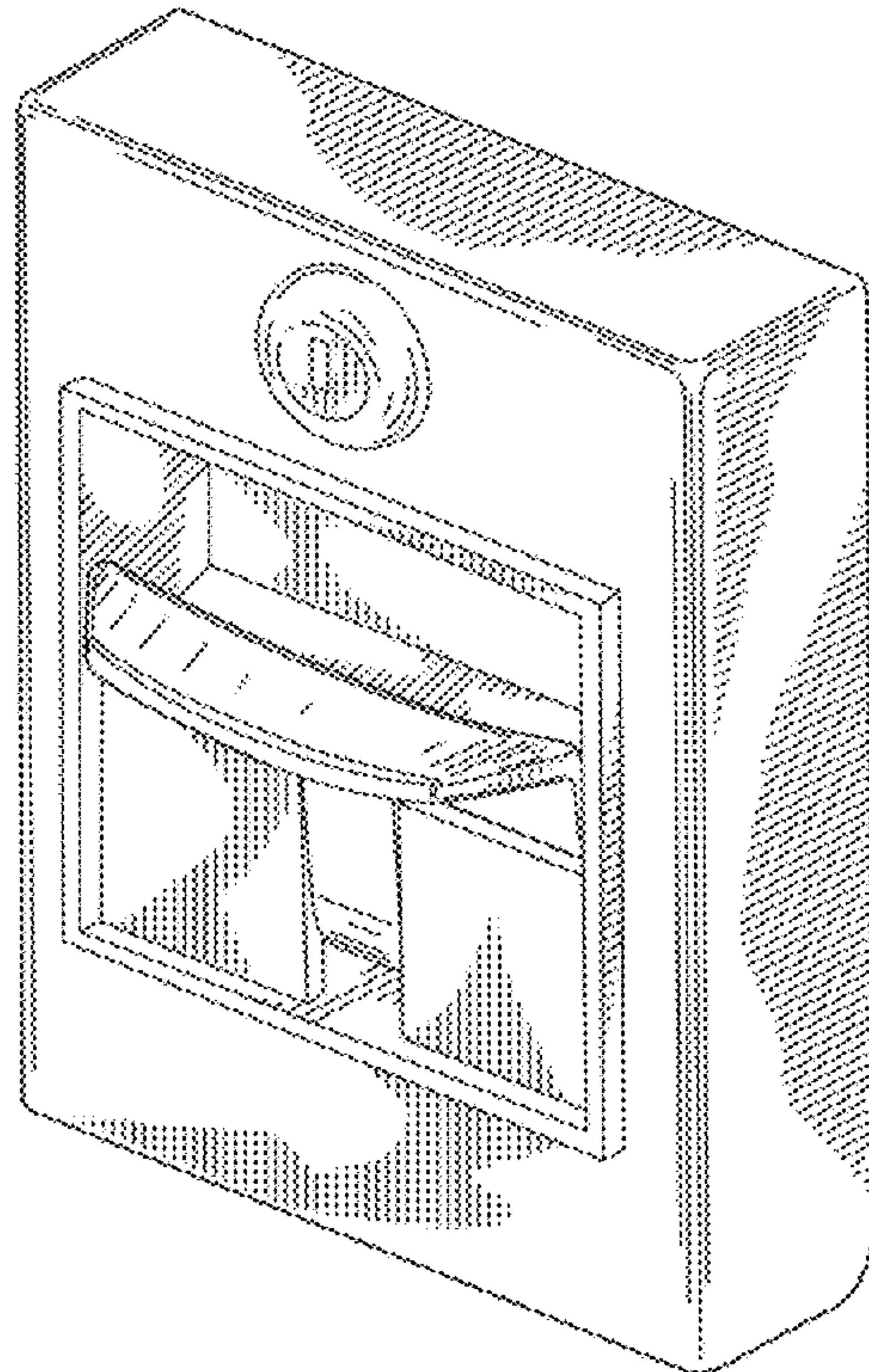
FIG. 6 is a bottom plan view of the design of FIG. 1;

FIG. 7 is a back view of the design of FIG. 1; and,

FIG. 8 is a perspective view of the design of FIG. 1 in the
activated position.

The broken line showing of portions of the bottom, back, and
pull handle is included for the purpose of illustrating portions
of the “article” and forms no part of the claimed design.

1 Claim, 8 Drawing Sheets



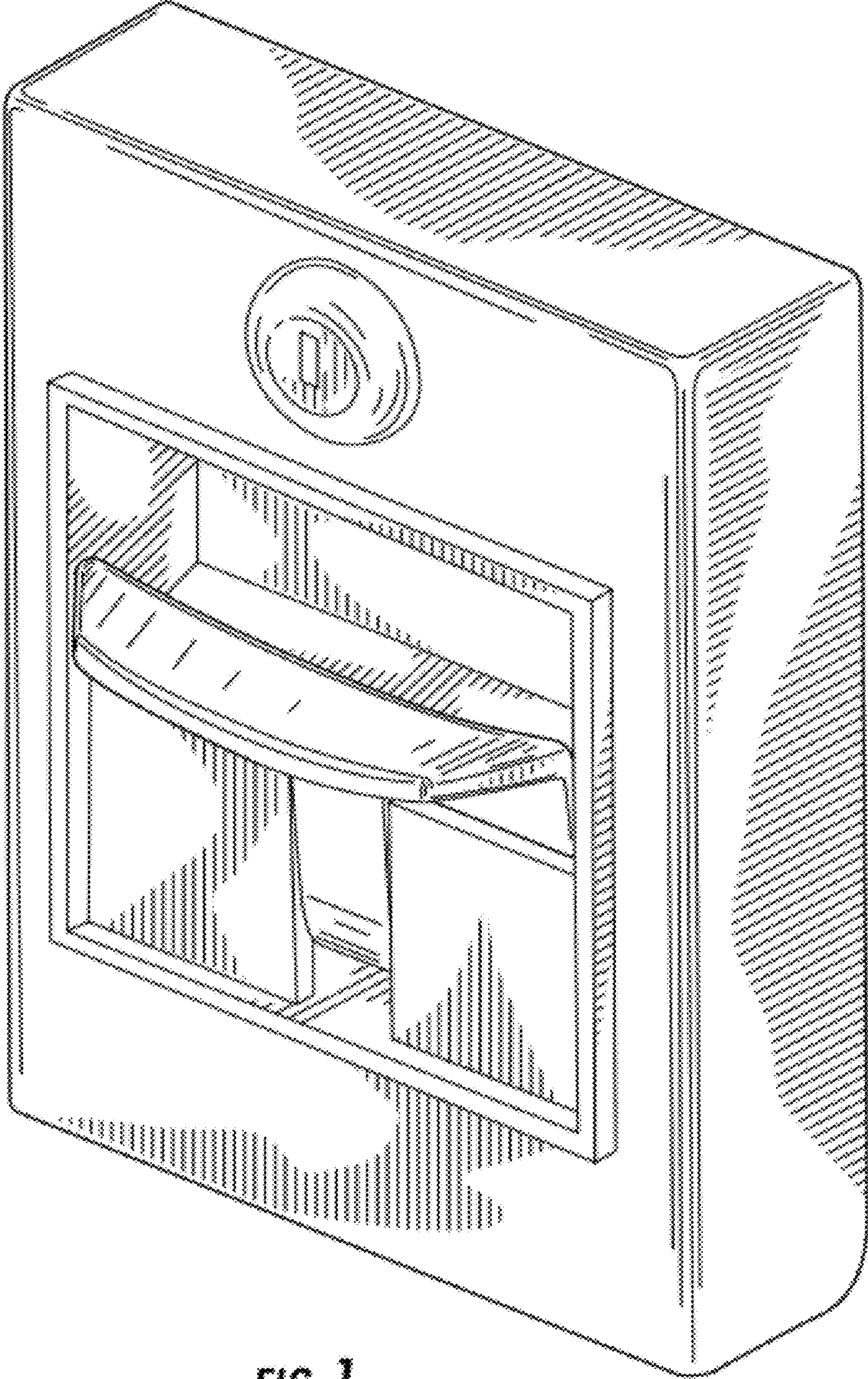


FIG. 1

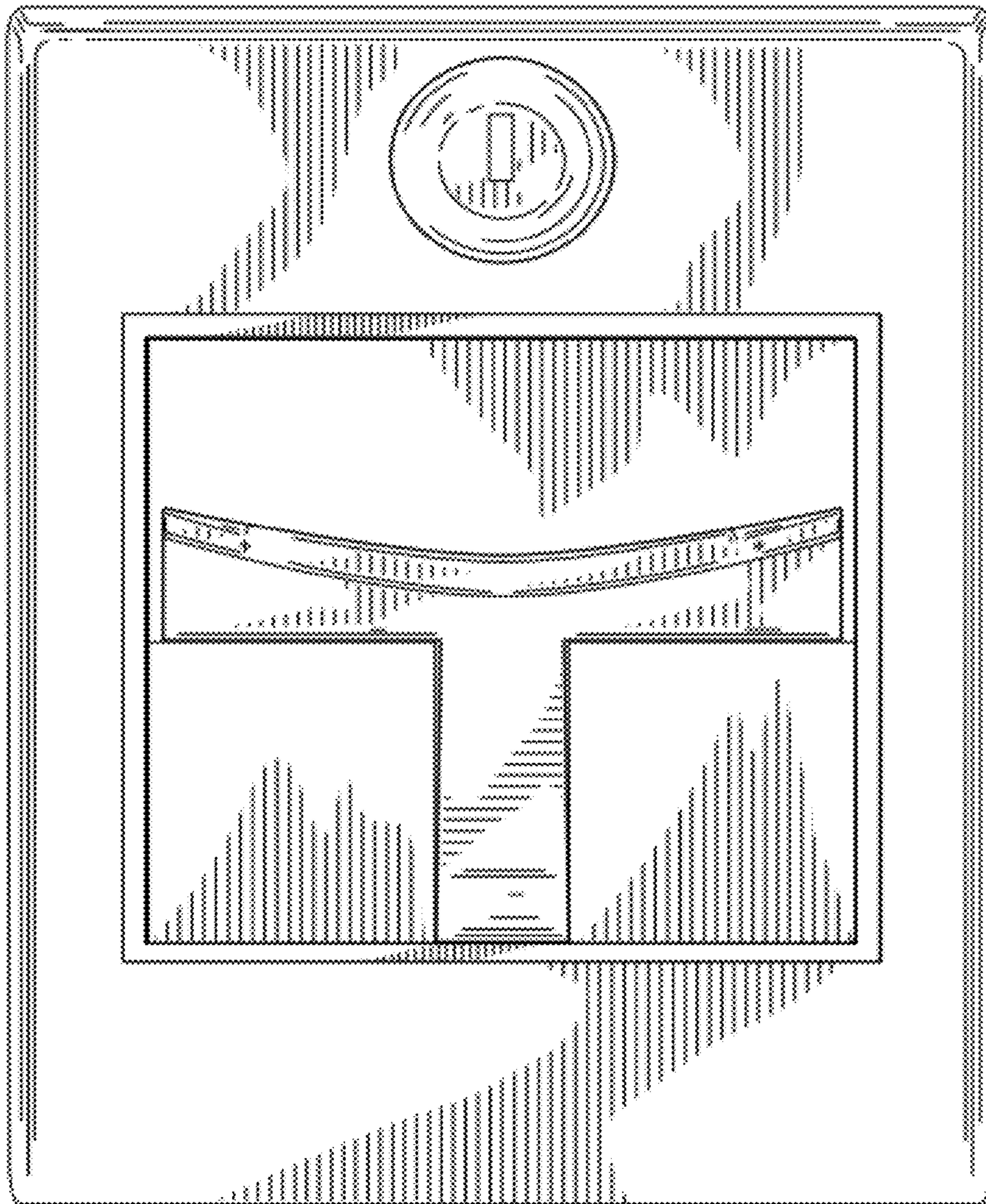


FIG. 2

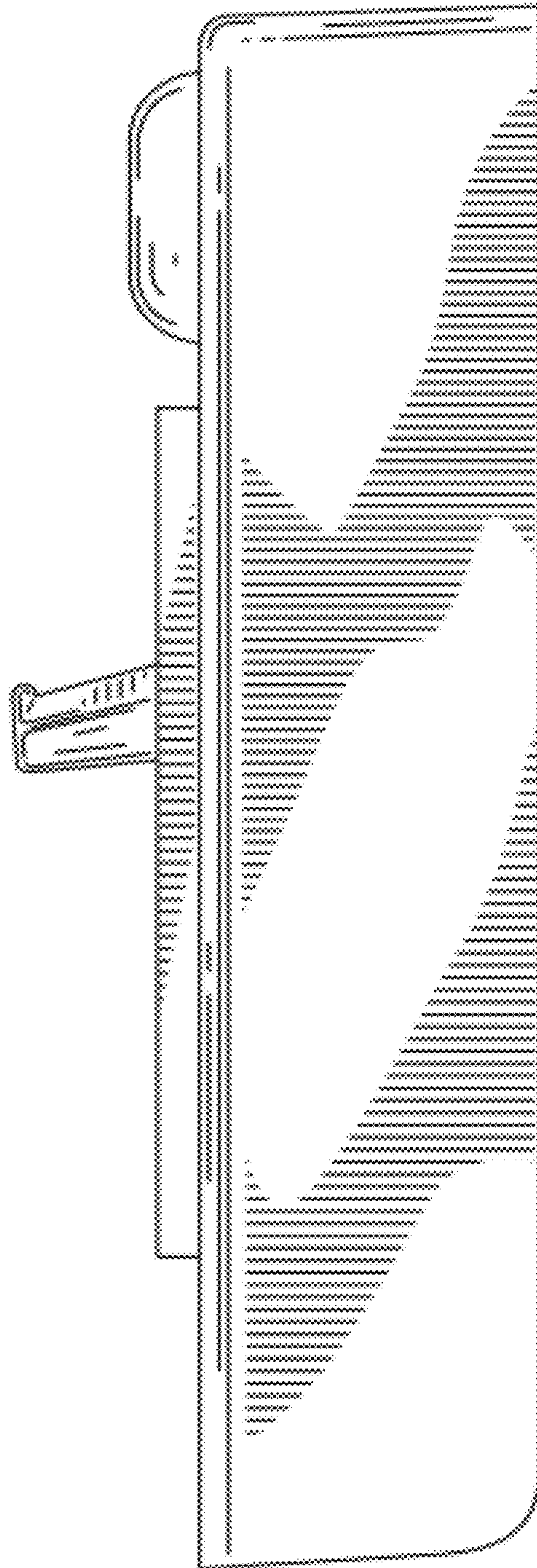


FIG. 3

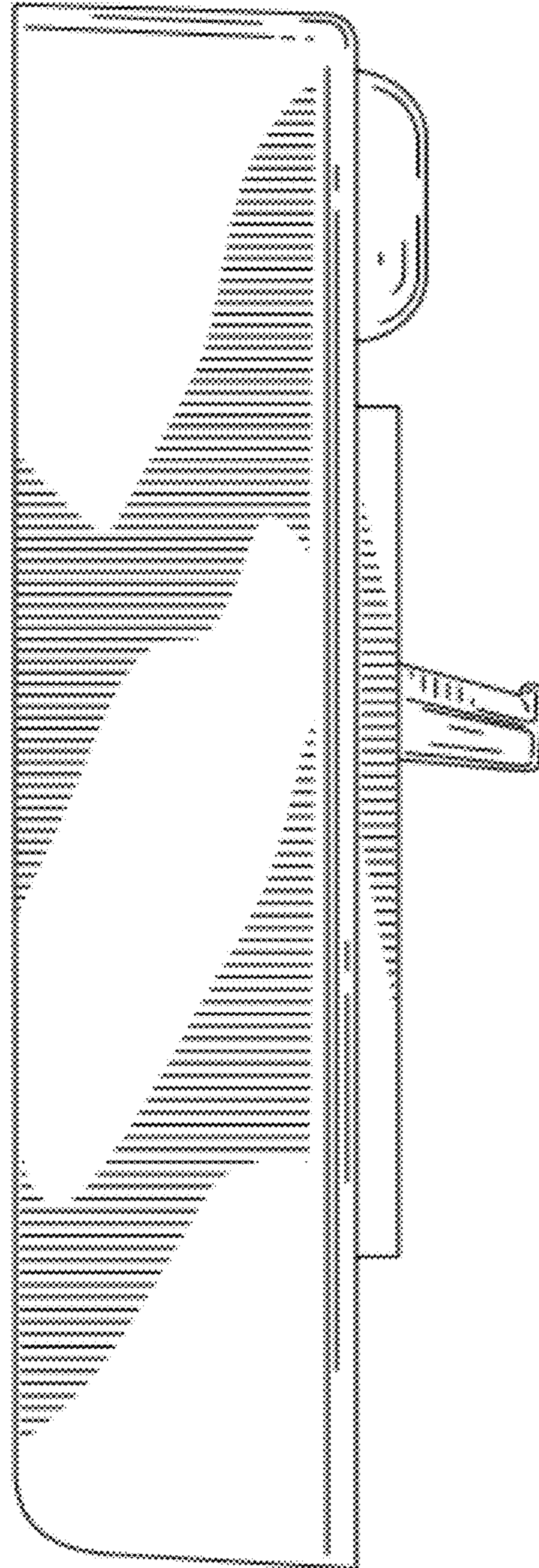


FIG. 4

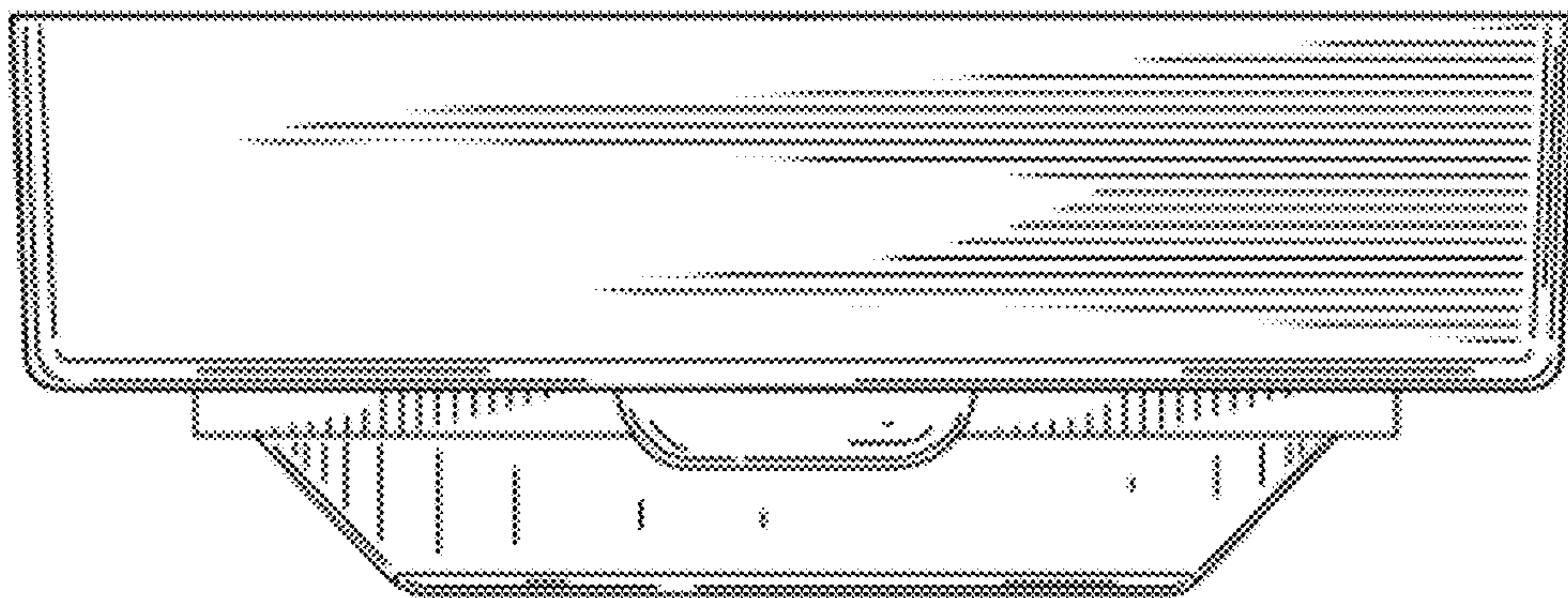


FIG. 5

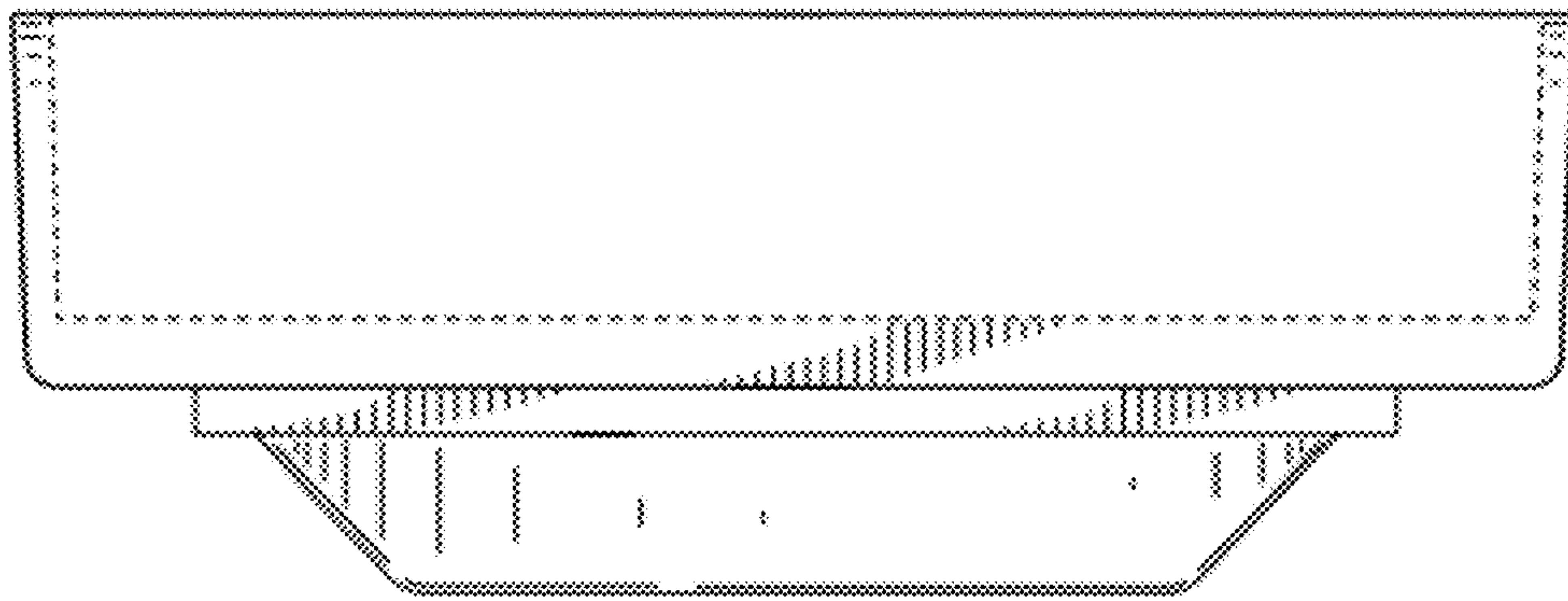


FIG. 6

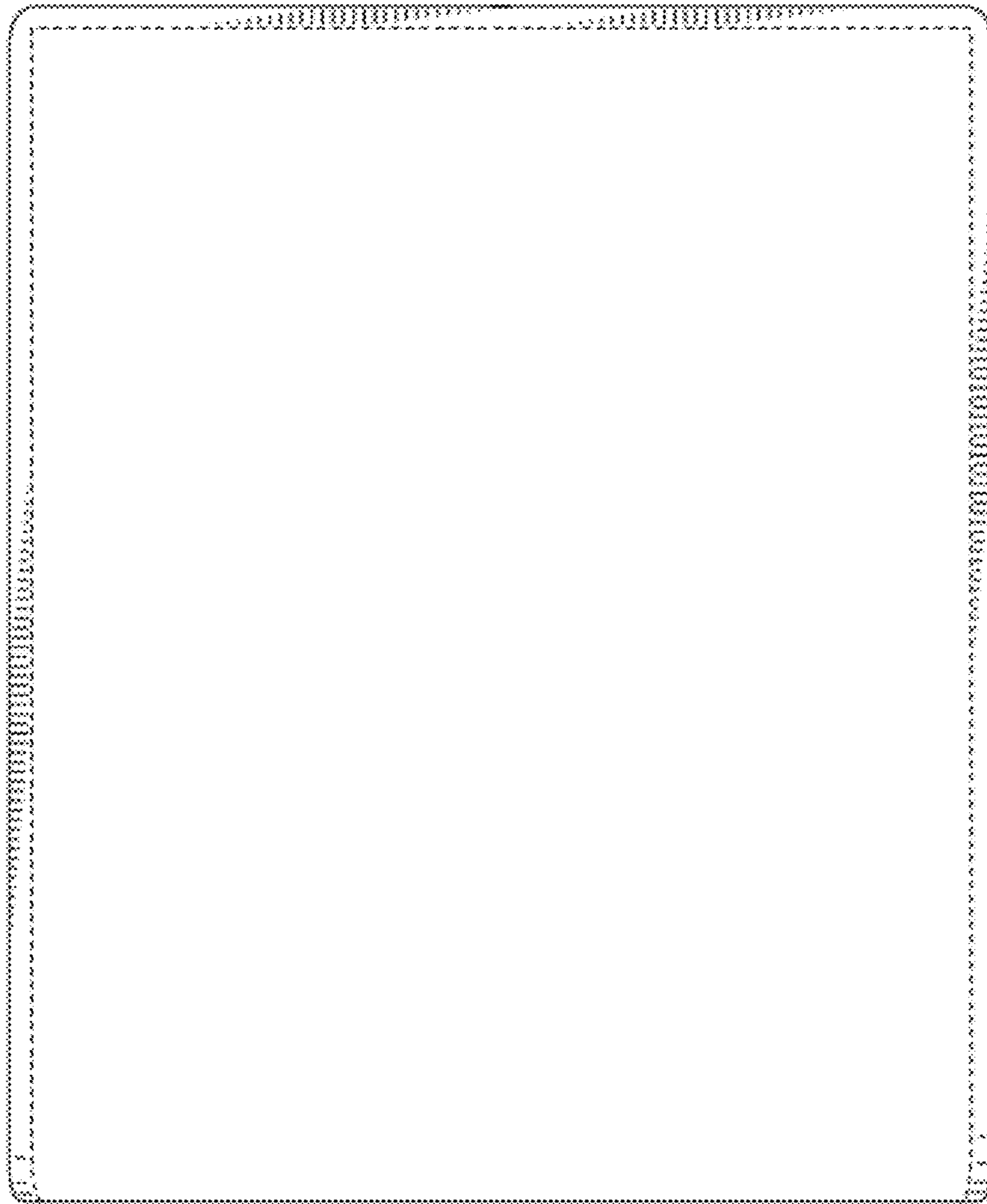


FIG. 7

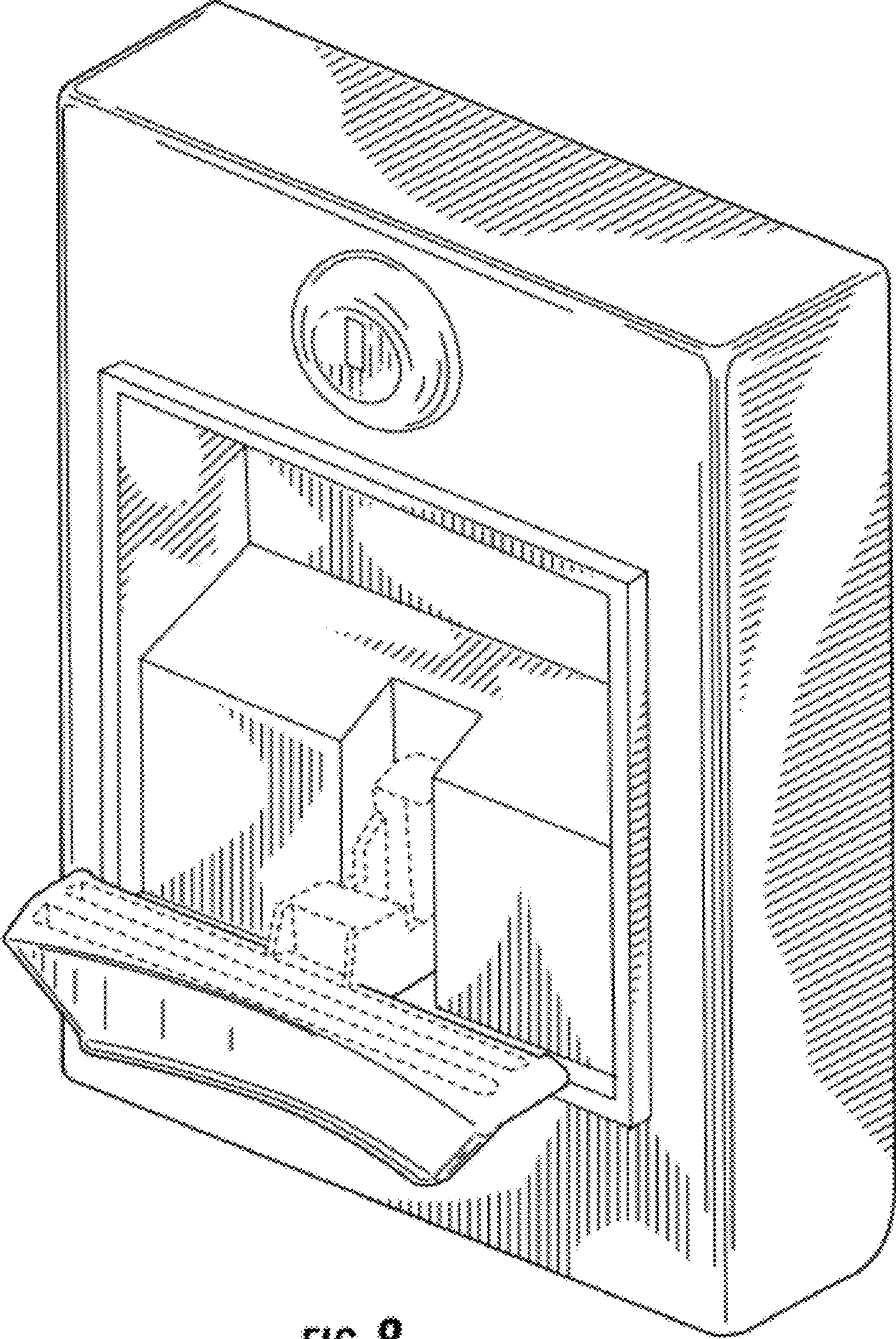


FIG. 8