



US00D664052S

(12) **United States Design Patent**
High

(10) **Patent No.:** **US D664,052 S**
(45) **Date of Patent:** **** Jul. 24, 2012**

(54) **NIGHT GLOW BBQ, GRILL, SMOKER THERMOMETER**

(76) Inventor: **Daniel Vincent High**, Iron, MN (US)

(**) Term: **14 Years**

(21) Appl. No.: **29/390,956**

(22) Filed: **May 1, 2011**

(51) **LOC (9) Cl.** **10-04**

(52) **U.S. Cl.** **D10/57**

(58) **Field of Classification Search** D10/57-58;
116/216, 221; 374/141, 155, 187, 208, E5.041,
374/E1.007, E13.001, E5.037
See application file for complete search history.

(56) **References Cited**

U.S. PATENT DOCUMENTS

D117,258	S *	10/1939	Dowden	D10/57
4,950,085	A *	8/1990	Horvath	374/207
D457,822	S *	5/2002	Rushton	D10/57
D487,022	S *	2/2004	Mayer et al.	D10/57
6,736,086	B2 *	5/2004	Kaiser et al.	116/216
6,945,693	B2 *	9/2005	Kaiser et al.	374/187
D571,232	S *	6/2008	Lawler et al.	D10/57
D573,904	S *	7/2008	Lawler et al.	D10/57
D584,970	S *	1/2009	Eide et al.	D10/57
D586,672	S *	2/2009	Sholley	D10/57
2003/0112845	A1 *	6/2003	Kaiser et al.	374/141
2003/0152131	A1 *	8/2003	Lee	374/100
2004/0074435	A1 *	4/2004	Kaiser et al.	116/216
2004/0161015	A1 *	8/2004	Kaiser et al.	374/187
2007/0230538	A1 *	10/2007	Koon et al.	374/205

OTHER PUBLICATIONS

Photo 1 and 2 for clarification to statements/claims made.

* cited by examiner

Primary Examiner — Antoine D Davis

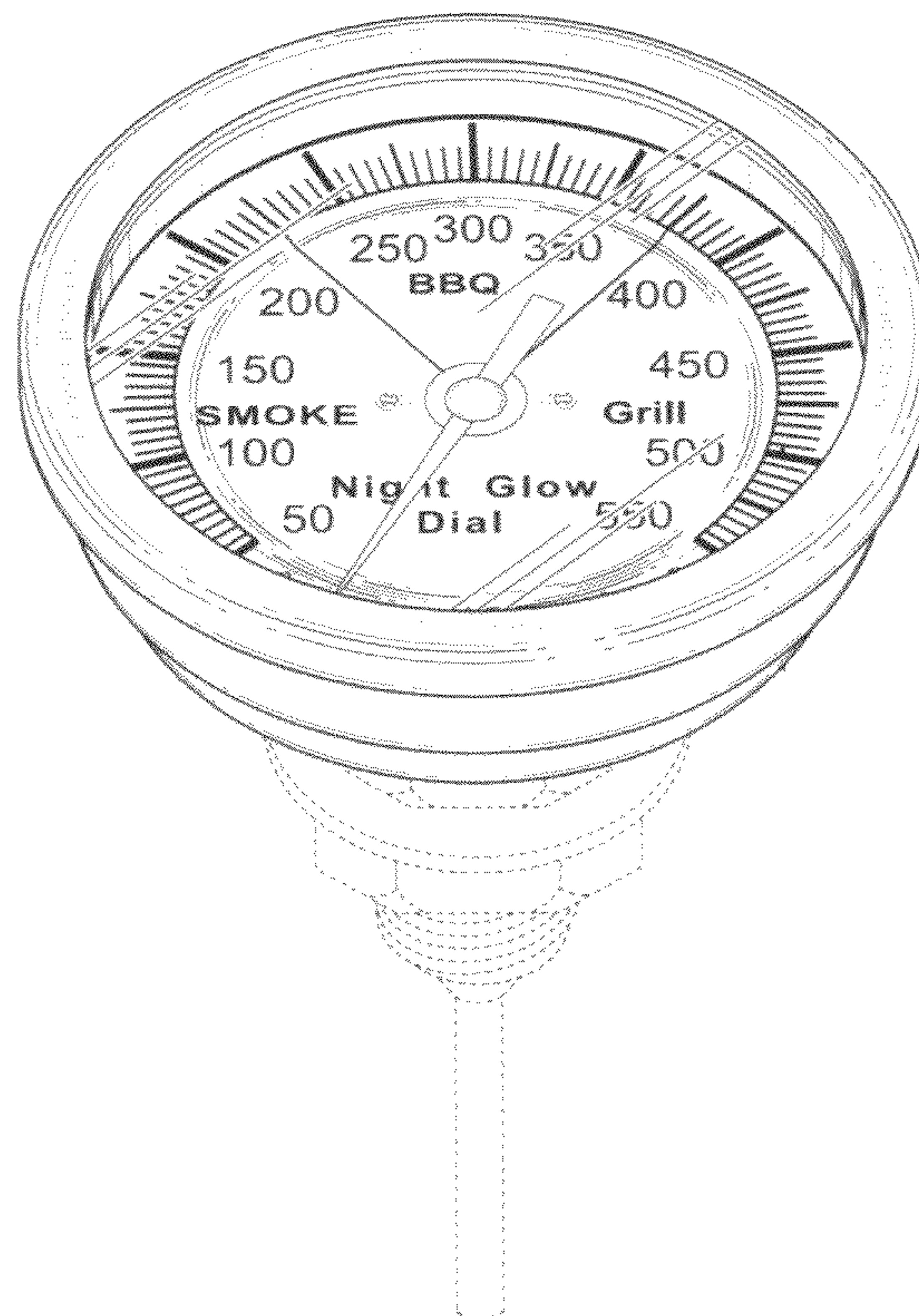
(57) **CLAIM**

The ornamental design for night glow BBQ, grill, smoker thermometer, as shown and described.

DESCRIPTION

FIG. 1 is a top angled elevational view of the temperature gauge showing my new design; FIG. 2 is a face front plan view thereof; FIG. 3 is a back side plan view thereof; FIG. 4 is a right side elevational view thereof; FIG. 5 is a left side elevational view thereof; and, FIG. 6 is a front side elevational view thereof which is also mirrored for the back side elevational view. My BBQ grill/smoker night glow thermometer gauge is characterized by its front segmented dial display with large pointer showing 3 cooking temperature sections, smoke, BBQ, grill and corresponding actual temperature reading along with a dial printed with the term night glow dial to signify the dial's ability to absorb light and transmit a glow in low or no light use. My ornamental design is also unique in its side views as show in the drawings in its multistep raised dial mounting on a grill or smoker.

1 Claim, 6 Drawing Sheets



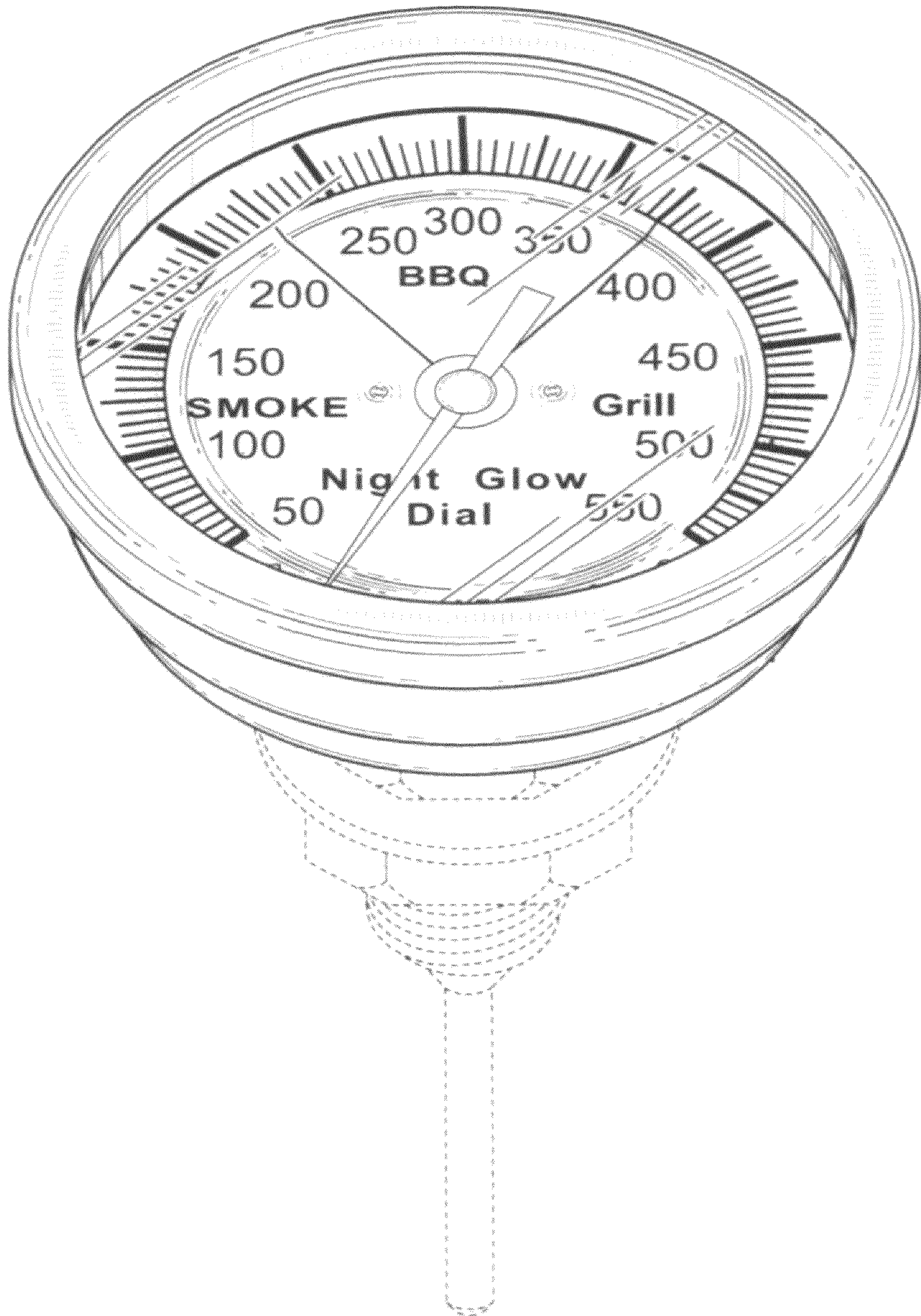


FIG. 1

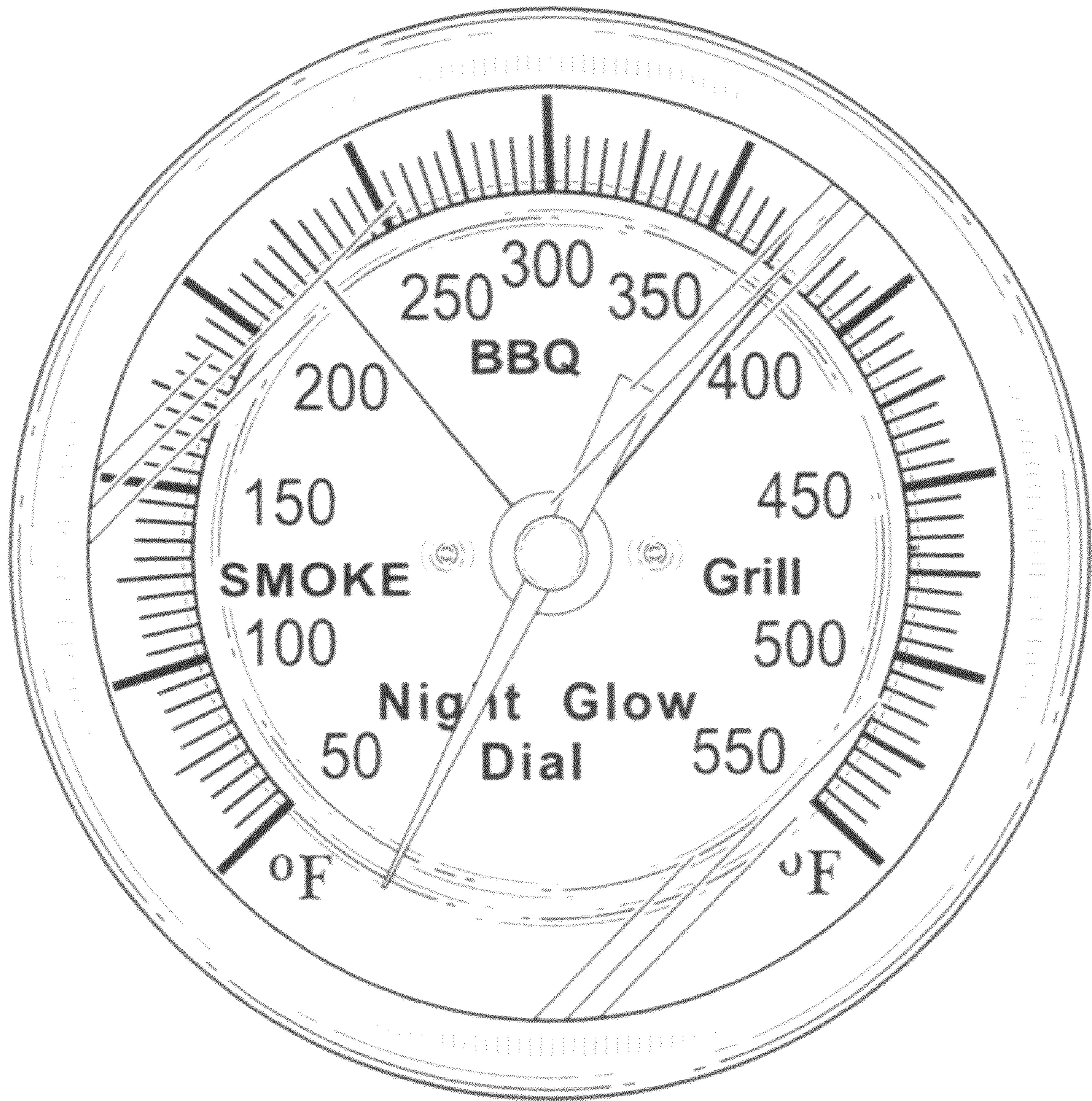


FIG. 2

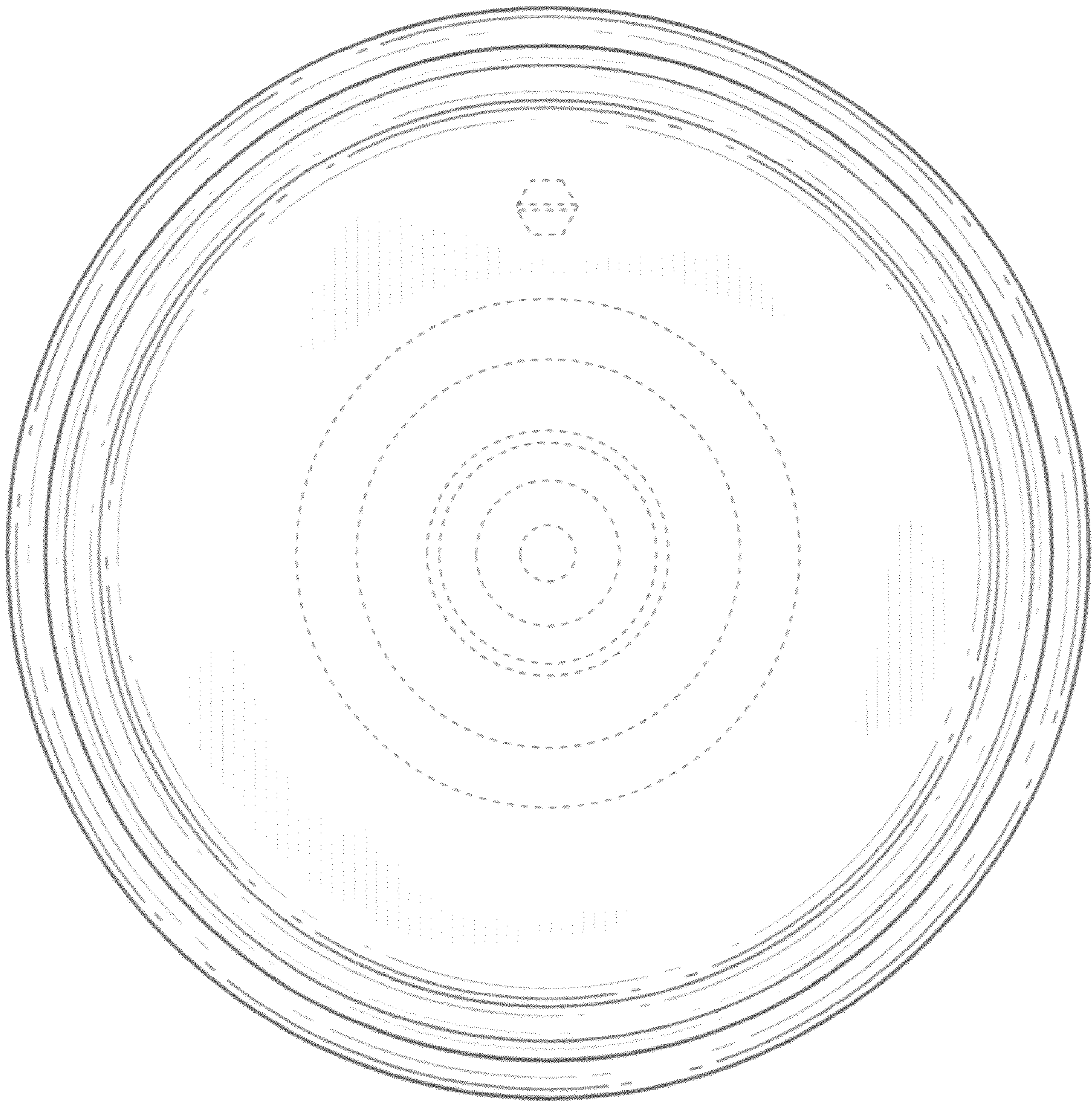


FIG. 3

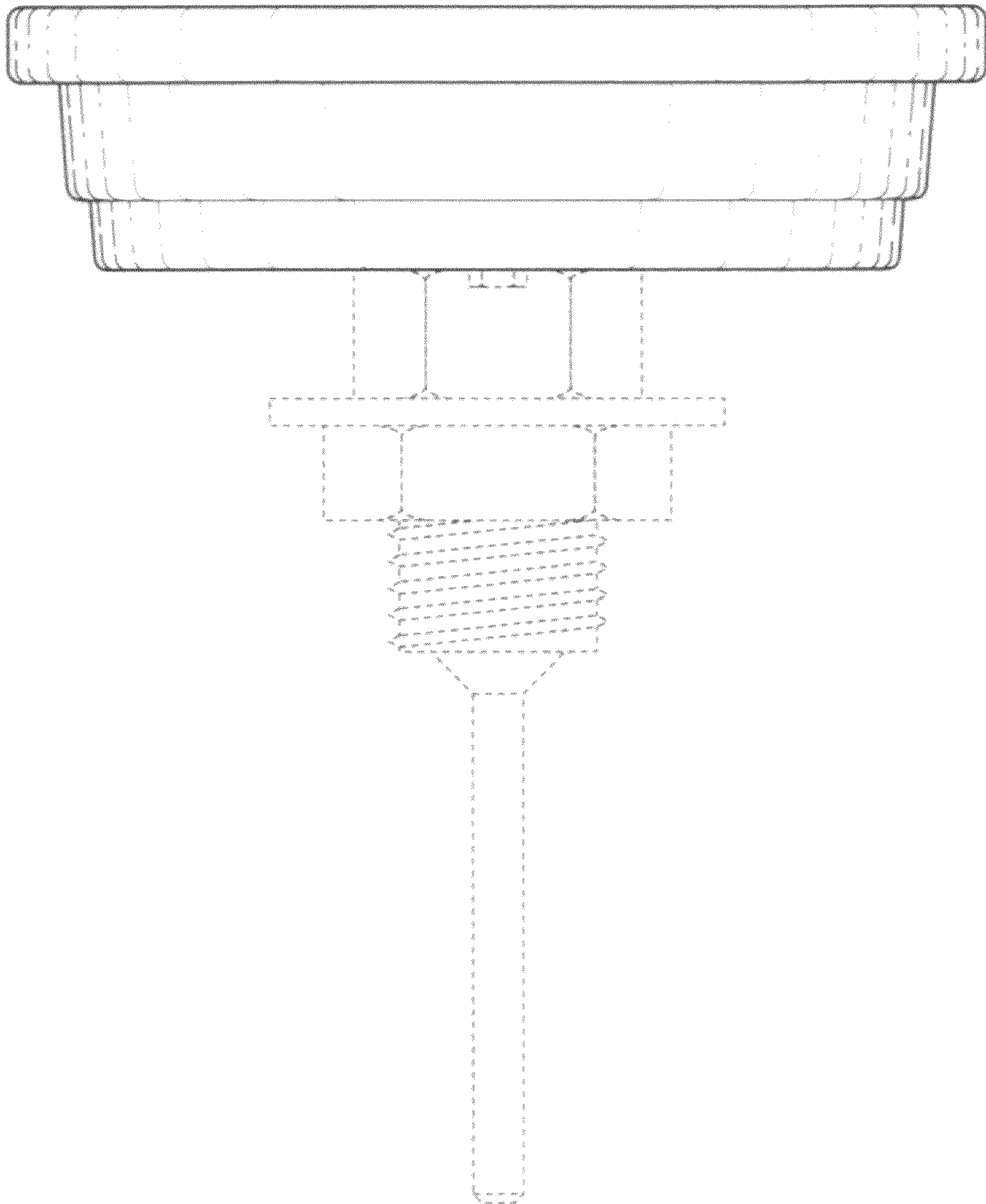


FIG. 4

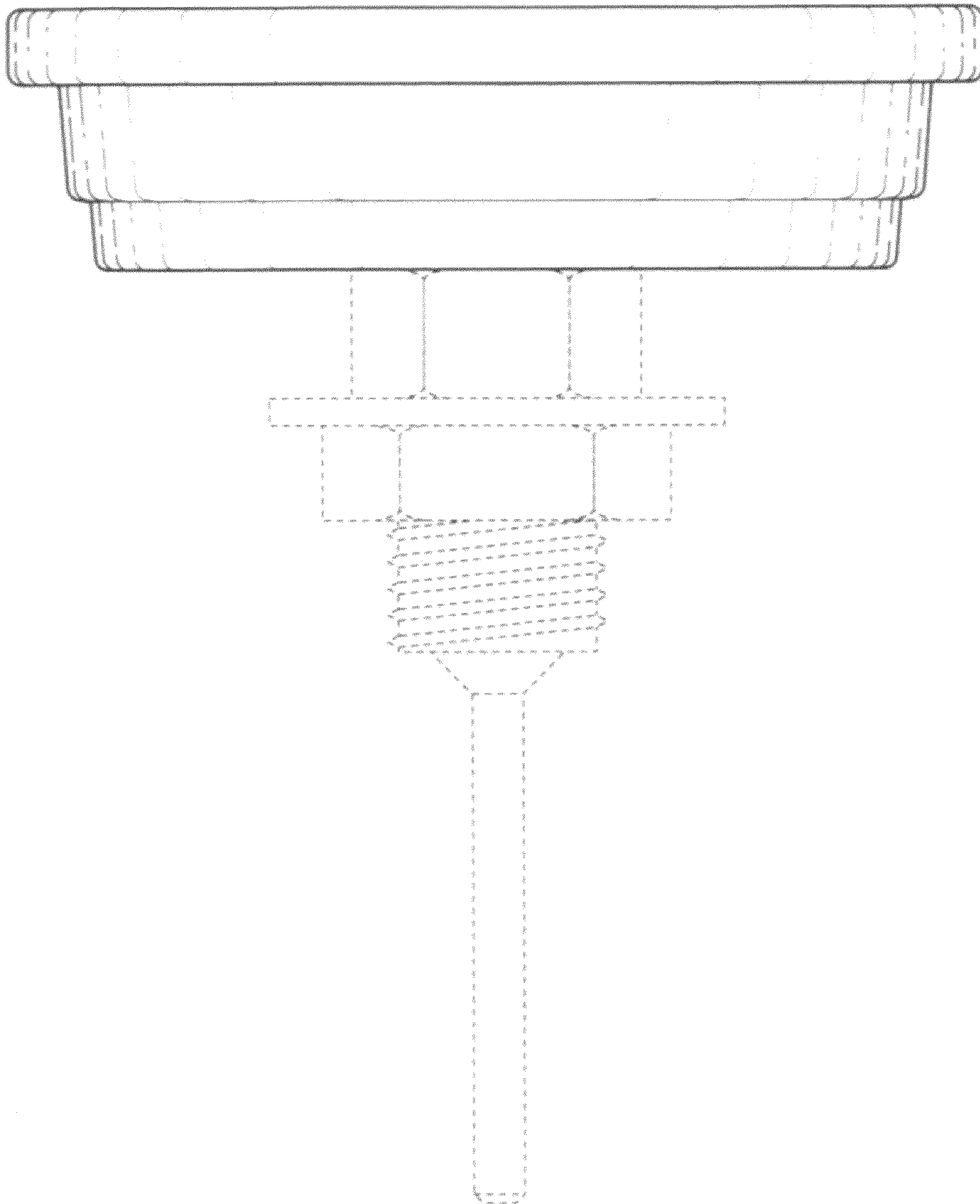


FIG. 5

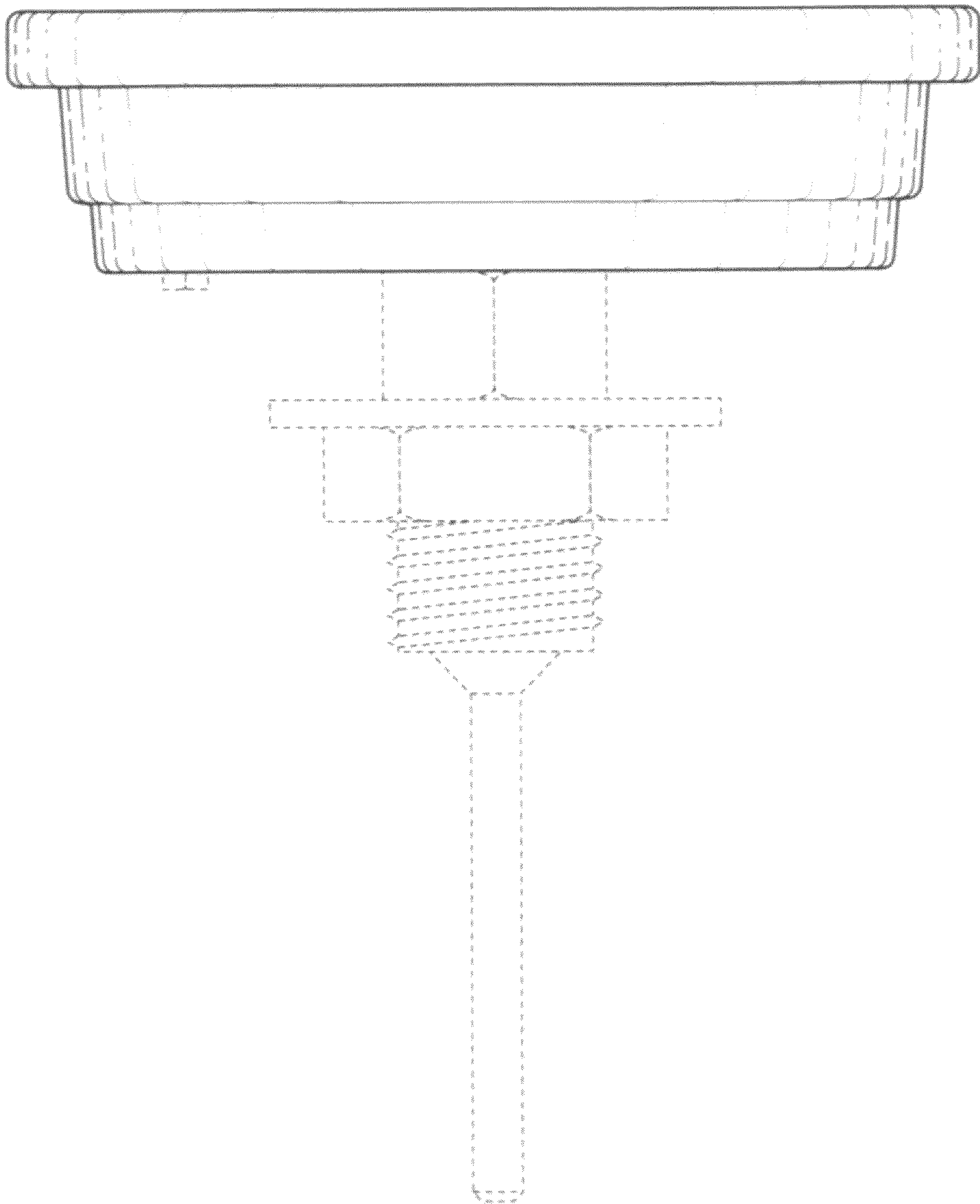


FIG. 6