



US00D664051S

(12) **United States Design Patent**
High

(10) **Patent No.:** **US D664,051 S**
(45) **Date of Patent:** **** Jul. 24, 2012**

- (54) **COLOR CODED BARBEQUE GRILL AND SMOKER THERMOMETER GAUGE**
- (76) Inventor: **Daniel Vincent High**, Iron, MN (US)
- (**) Term: **14 Years**
- (21) Appl. No.: **29/386,907**
- (22) Filed: **Mar. 6, 2011**
- (51) **LOC (9) Cl.** **10-04**
- (52) **U.S. Cl.** **D10/57**
- (58) **Field of Classification Search** D10/57-58;
116/216, 221; 374/141, 155, 187, 208, E5.041,
374/E1.007, E13.001, E5.037
See application file for complete search history.

(56) **References Cited**

U.S. PATENT DOCUMENTS

D117,258	S *	10/1939	Dowden	D10/57
4,950,085	A *	8/1990	Horvath	374/207
D457,822	S *	5/2002	Rushton	D10/57
D487,022	S *	2/2004	Mayer et al.	D10/57
6,736,086	B2 *	5/2004	Kaiser et al.	116/216
6,945,693	B2 *	9/2005	Kaiser et al.	374/187
D571,232	S *	6/2008	Lawler et al.	D10/57
D573,904	S *	7/2008	Lawler et al.	D10/57
D584,970	S *	1/2009	Eide et al.	D10/57
D586,672	S *	2/2009	Sholley	D10/57
2003/0112845	A1 *	6/2003	Kaiser et al.	374/141
2003/0152131	A1 *	8/2003	Lee	374/100
2004/0074435	A1 *	4/2004	Kaiser et al.	116/216
2004/0161015	A1 *	8/2004	Kaiser et al.	374/187
2007/0230538	A1 *	10/2007	Koon et al.	374/205

OTHER PUBLICATIONS

ATT Photo 1 and 2 for clarification to statement/claims made.

* cited by examiner

Primary Examiner — Antoine D Davis

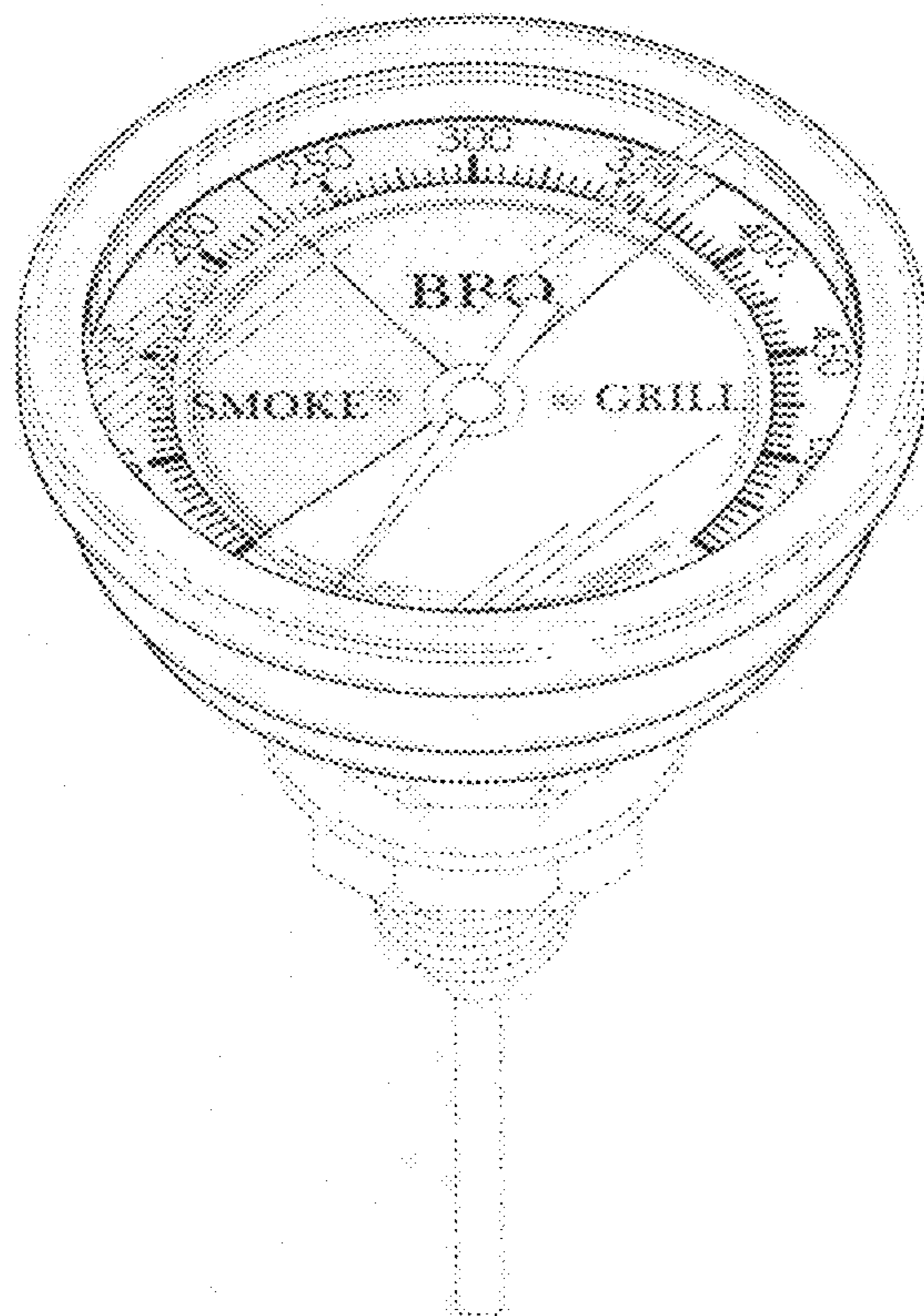
(57) **CLAIM**

The ornamental design for color coded barbeque grill and smoker thermometer gauge, as shown and described.

DESCRIPTION

FIG. 1 is a top angled elevational view of the temperature gauge showing my new design;
 FIG. 2 is a face front plan view thereof;
 FIG. 3 is a back side plan view thereof;
 FIG. 4 is a right side elevational view thereof;
 FIG. 5 is a left side elevational view thereof; and,
 FIG. 6 is a front side elevational view thereof which is also mirrored for the back side elevational view.
 My BBQ Grill / Smoker color coded thermometer gauge is characterized by its front segmented and colored dial display with large pointer showing 3 printed ideal cooking temperature ranges, smoke, bbq, grill and corresponding actual temperature reading on the outside edge of the dial. My ornamental design is also unique in its side views as show in the drawings in its multistep raised dial mounting on a grill or smoker which is unlike flat mounted versions currently on the market.

1 Claim, 6 Drawing Sheets



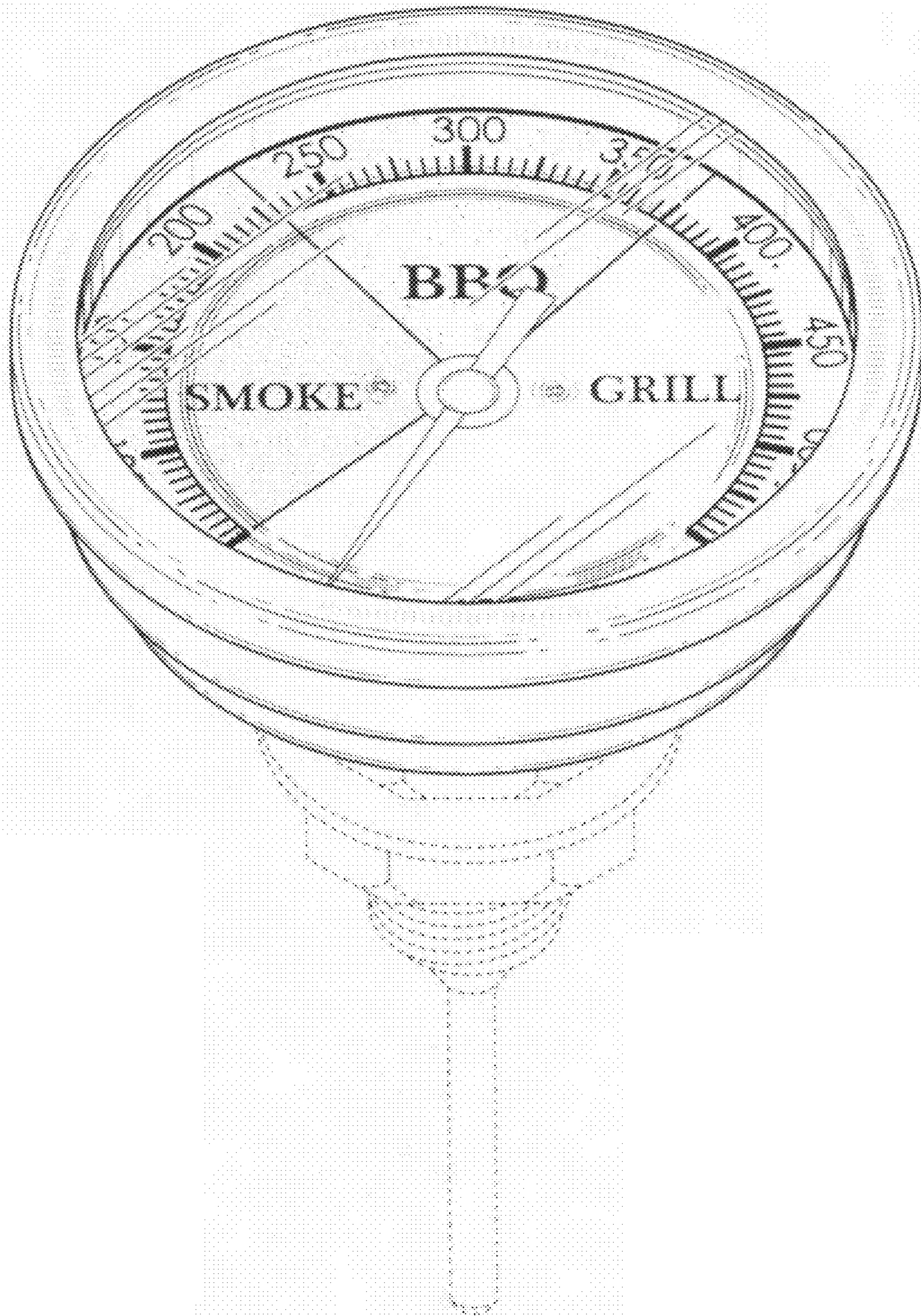


FIG. 1

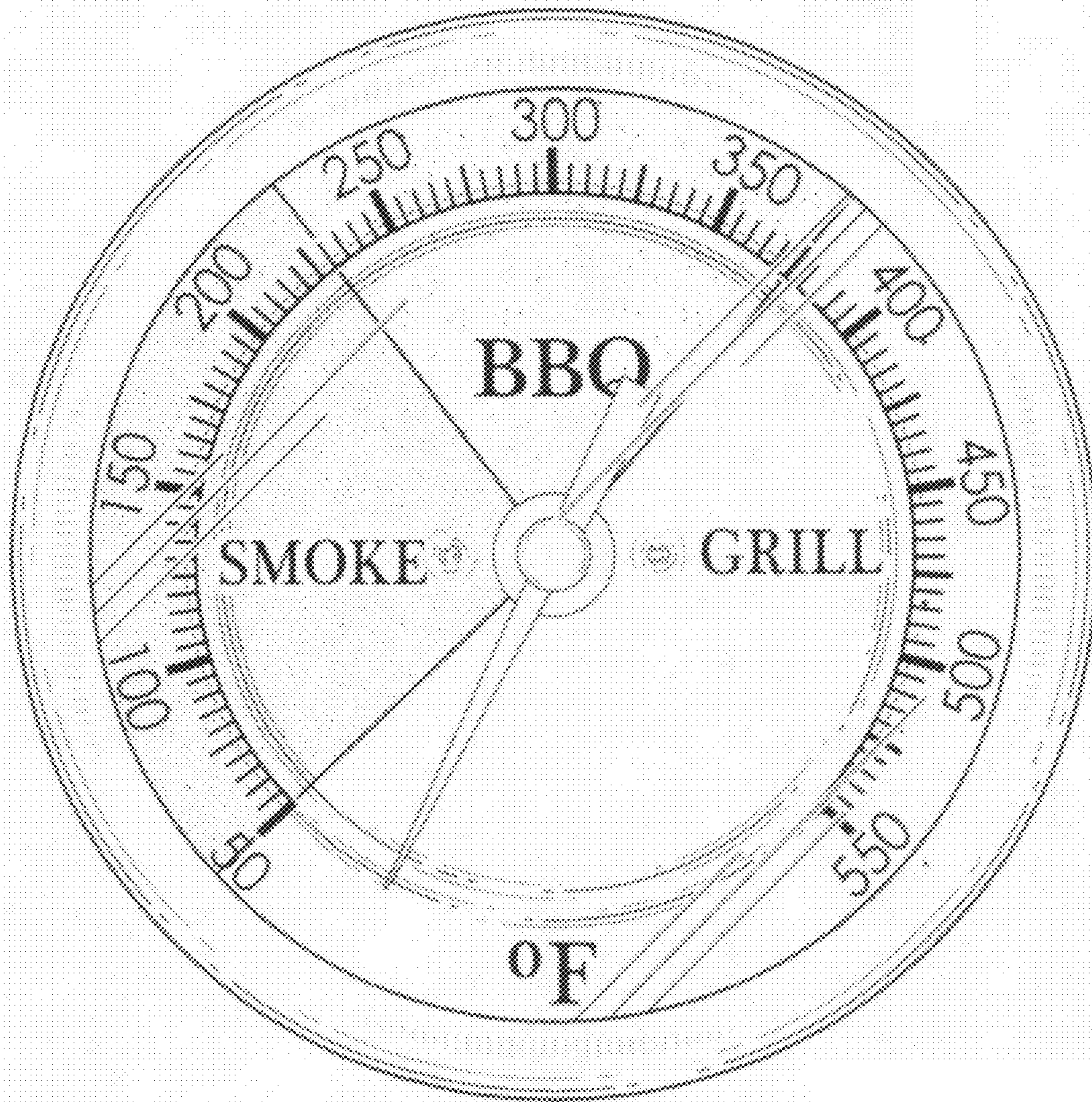


FIG. 2

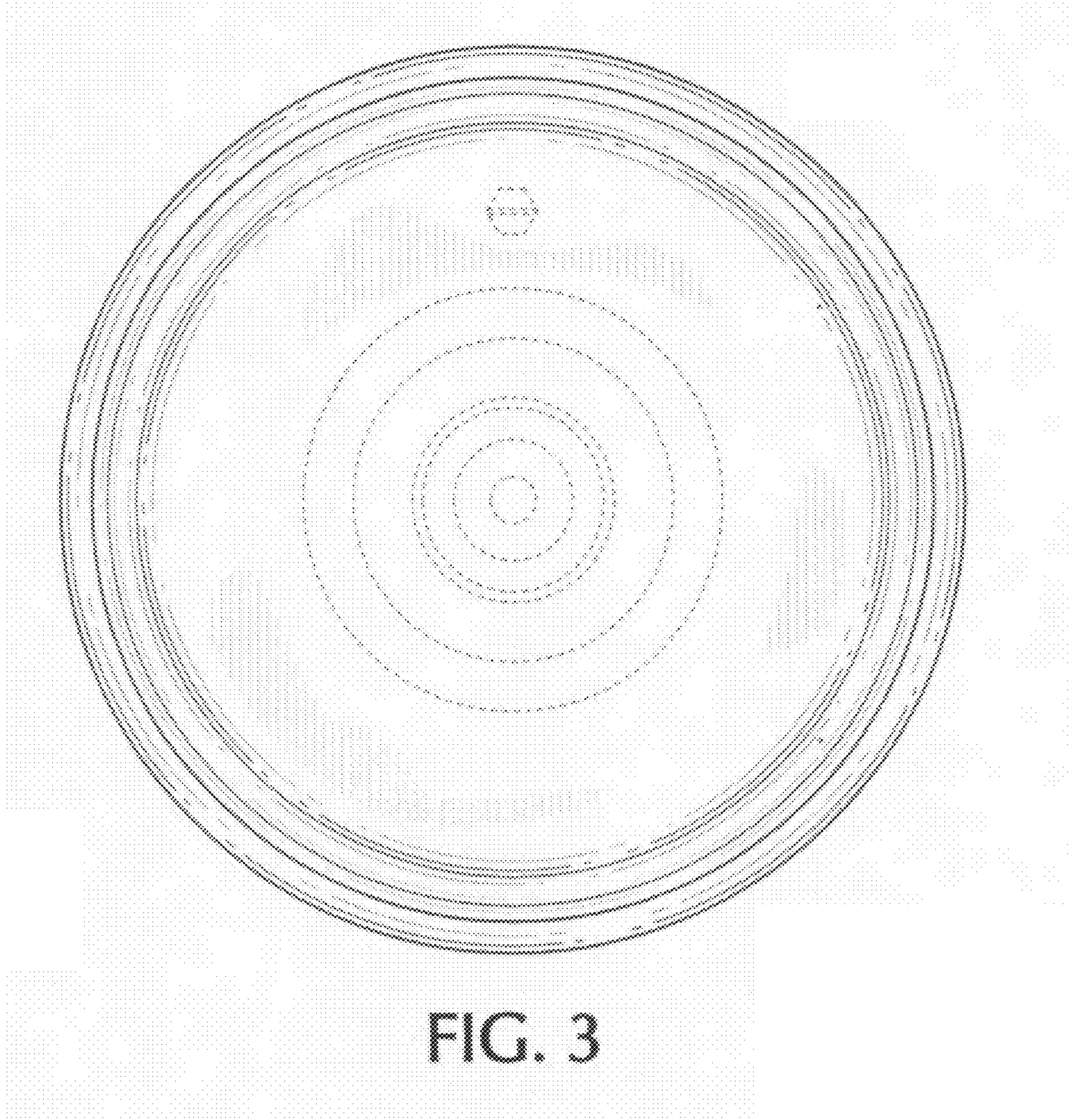


FIG. 3

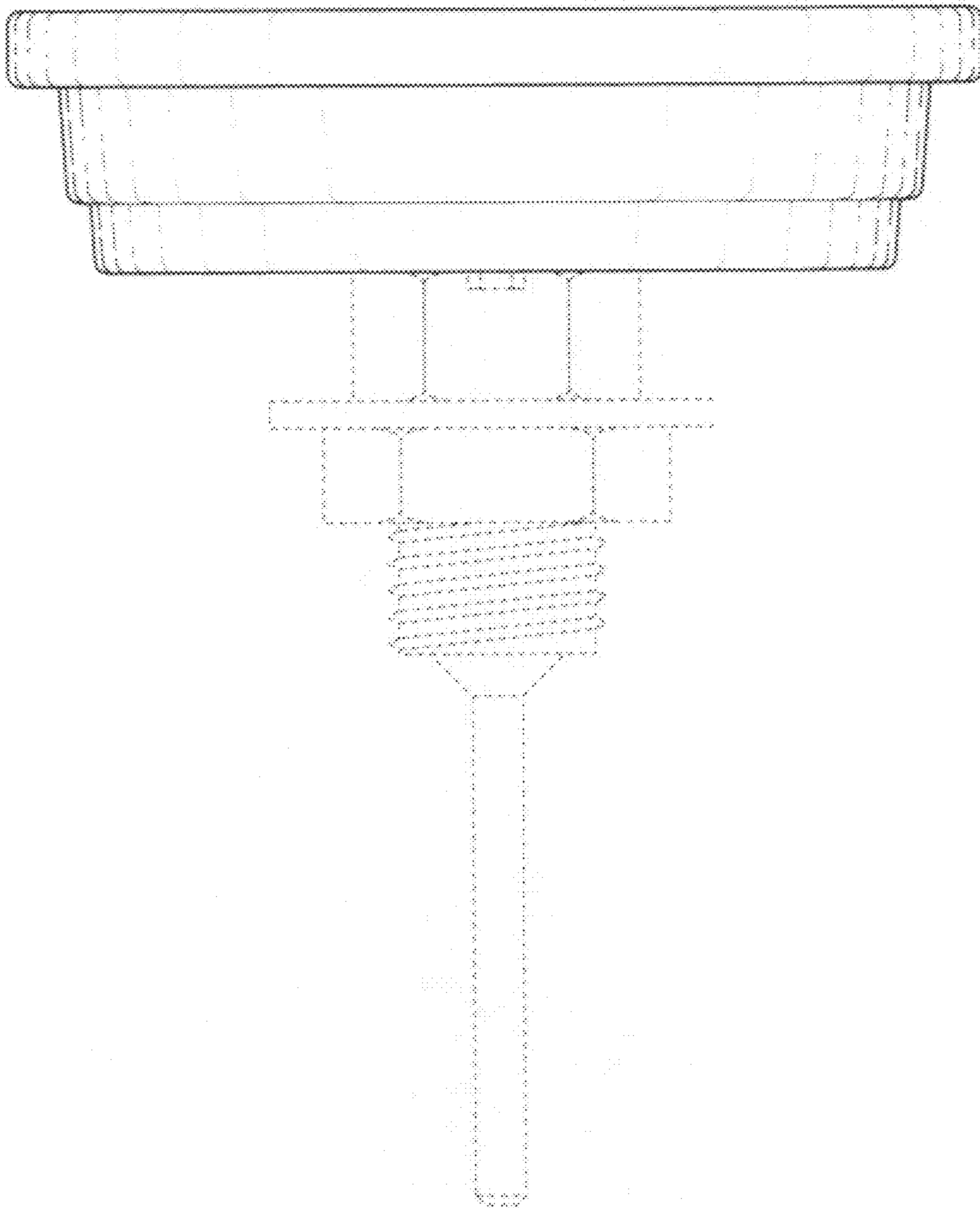


FIG. 4

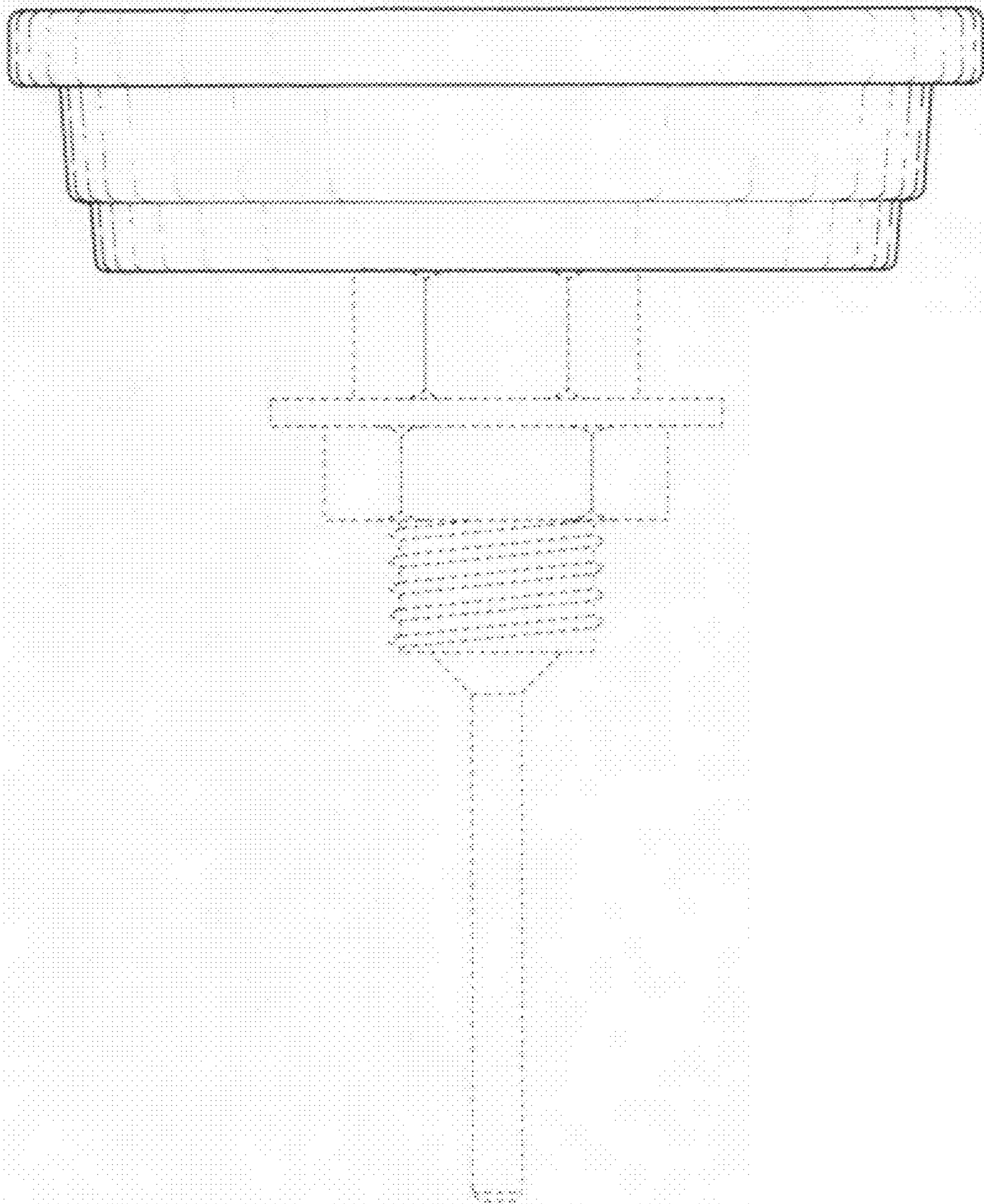


FIG. 5

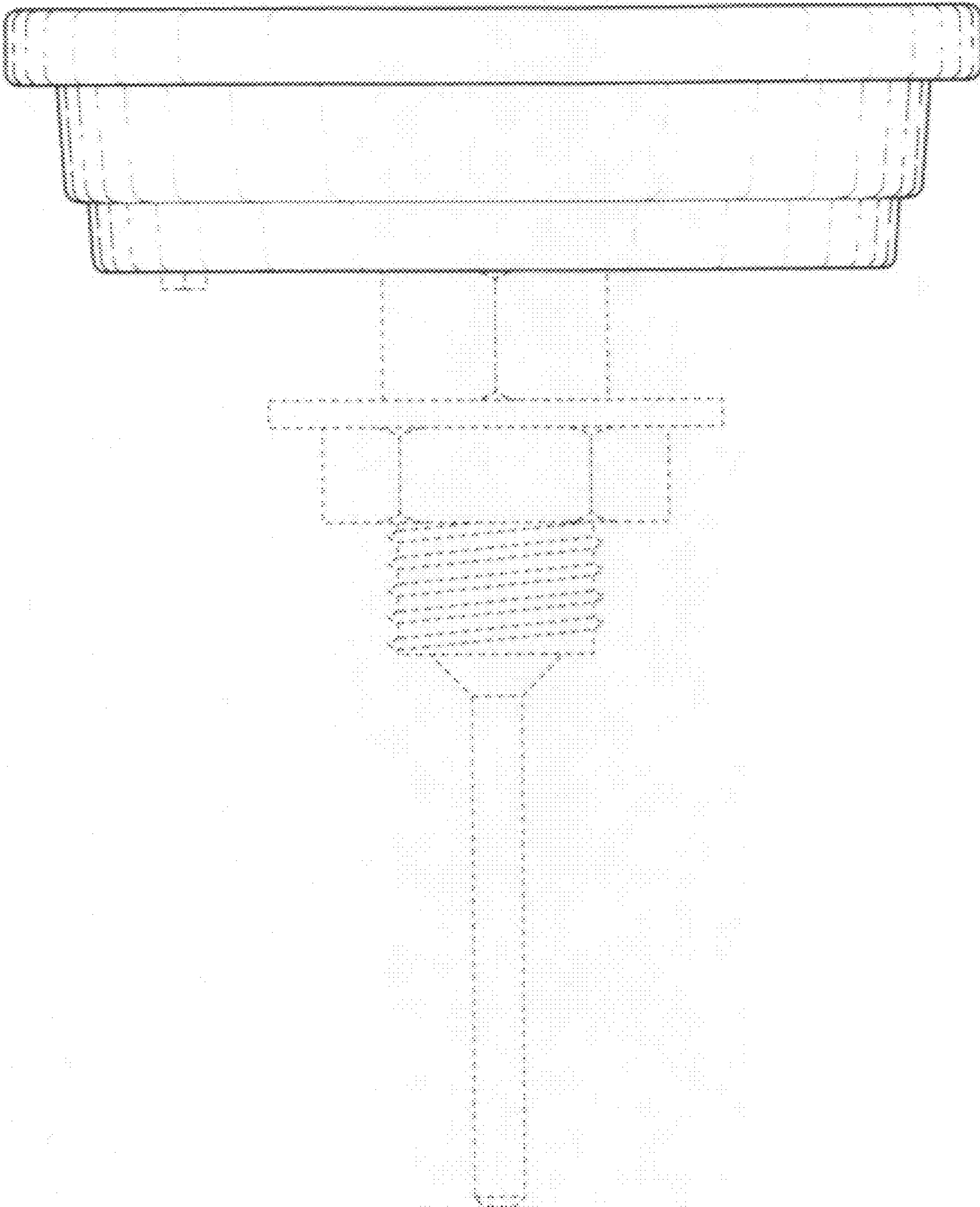


FIG. 6