

US00D664050S

(12) **United States Design Patent**
Rodriguez et al.

(10) **Patent No.:** **US D664,050 S**
(45) **Date of Patent:** **** Jul. 24, 2012**

(54) **COVER FOR SURFACE MOUNT CONTROL BOX**

(75) Inventors: **Osbaldo Rodriguez**, Huntington Beach, CA (US); **Jonathan Ofalla**, Rosemead, CA (US); **Robert Chaloupecky**, Apex, NC (US); **Jaysun Stockdell-Giesler**, Morrisville, NC (US)

(73) Assignee: **RGB Systems, Inc.**, Anaheim, CA (US)

(**) Term: **14 Years**

(21) Appl. No.: **29/386,974**

(22) Filed: **Mar. 7, 2011**

Related U.S. Application Data

(63) Continuation-in-part of application No. 29/347,708, filed on Apr. 14, 2010, now Pat. No. Des. 639,681.

(51) **LOC (9) Cl.** **10-04**

(52) **U.S. Cl.** **D10/49**

(58) **Field of Classification Search** D10/48, D10/49, 99-103; D13/162; 55/270, 274, 55/279, DIG. 7, 34; 62/176.6, 125-130, 62/78, 180, 186; 73/23.2, 23.34, 31.01, 31.02, 73/431, 170.16-170.19, 170.21-170.25, 73/863.12, 29, 29.02, 335.01-335.14; 236/46 R, 236/47, 94, 44 C, 44 R, 49.3, 44 A, 96; 337/112, 337/327, 360; 340/602, 627, 632, 634; 361/346; 364/141, 146, 147, 188, 420, 557; 454/229, 454/239, 256, 257, 258; 700/18, 159, 181

See application file for complete search history.

(56) **References Cited**

U.S. PATENT DOCUMENTS

D421,399	S	*	3/2000	Bennett et al.	D10/49
D431,199	S	*	9/2000	Bennett et al.	D10/49
6,457,802	B2	*	10/2002	Jackson	347/35
6,525,667	B1	*	2/2003	Fujita et al.	340/815.4
D528,444	S	*	9/2006	Horie et al.	D10/49
D559,710	S	*	1/2008	Jacoby et al.	D10/49
D579,796	S	*	11/2008	Schmid et al.	D10/49
D579,797	S	*	11/2008	Schmid et al.	D10/49

* cited by examiner

Primary Examiner — Antoine D Davis

(74) *Attorney, Agent, or Firm* — The Hecker Law Group, PLC

(57) **CLAIM**

The ornamental design for a cover for surface mount control box, as shown and described.

DESCRIPTION

FIG. 1 is a perspective view of a cover for a surface mount control box of the present invention.

FIG. 2 is a perspective view of the cover for a surface mount control box of FIG. 1, with the cover in the closed position;

FIG. 3 is a top view of the cover for a surface mount control box of FIG. 1, with the cover in the closed position;

FIG. 4 is a top view of the cover for a surface mount control box of FIG. 1;

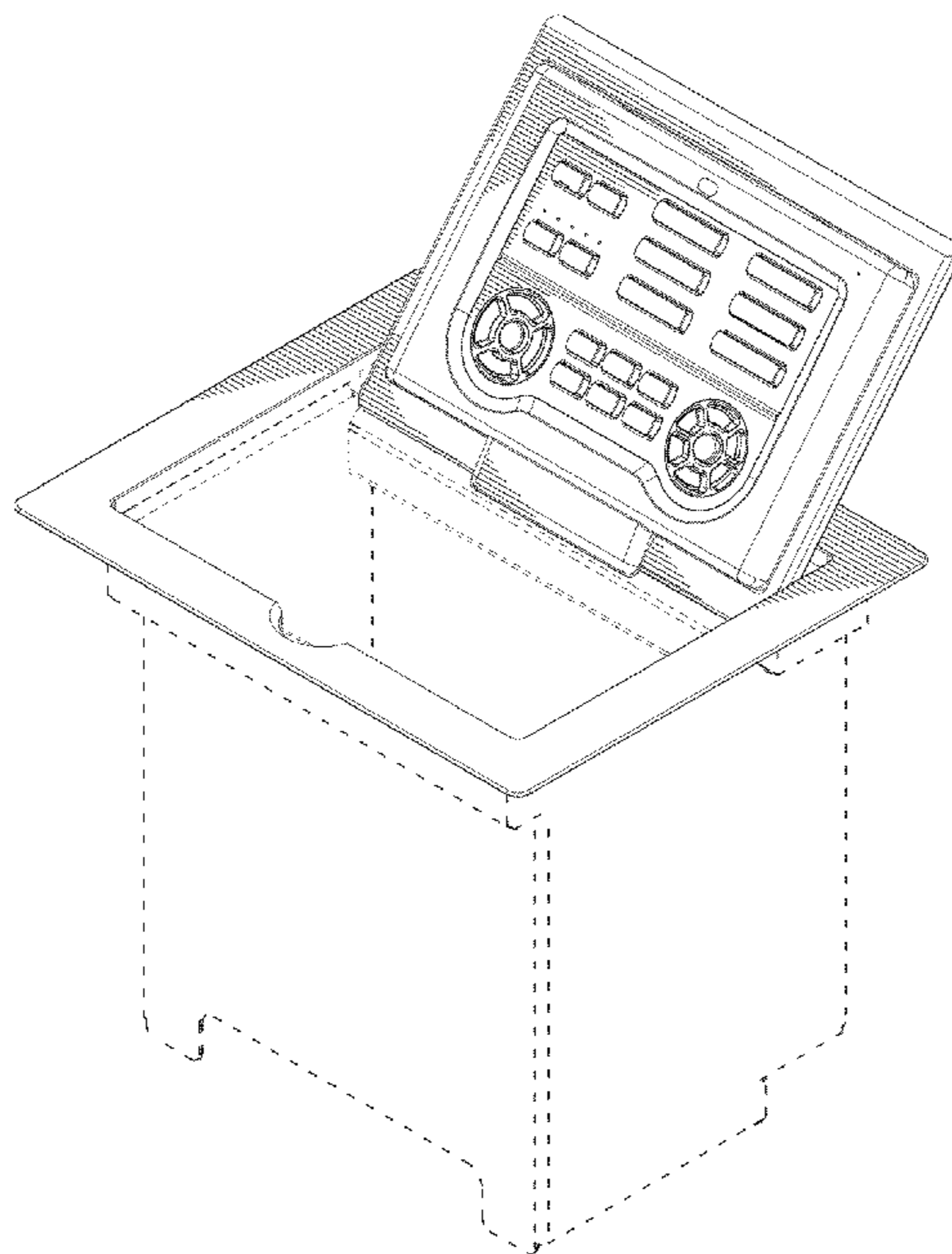
FIG. 5 is a left side view of the cover for a surface mount control box of FIG. 1;

FIG. 6 is a right side view of the cover for a surface mount control box of FIG. 1;

FIG. 7 is a front view of the cover for a surface mount control box of FIG. 1; and,

FIG. 8 is a front view of the cover for a surface mount control box of FIG. 1, with the cover in the closed position.

1 Claim, 8 Drawing Sheets



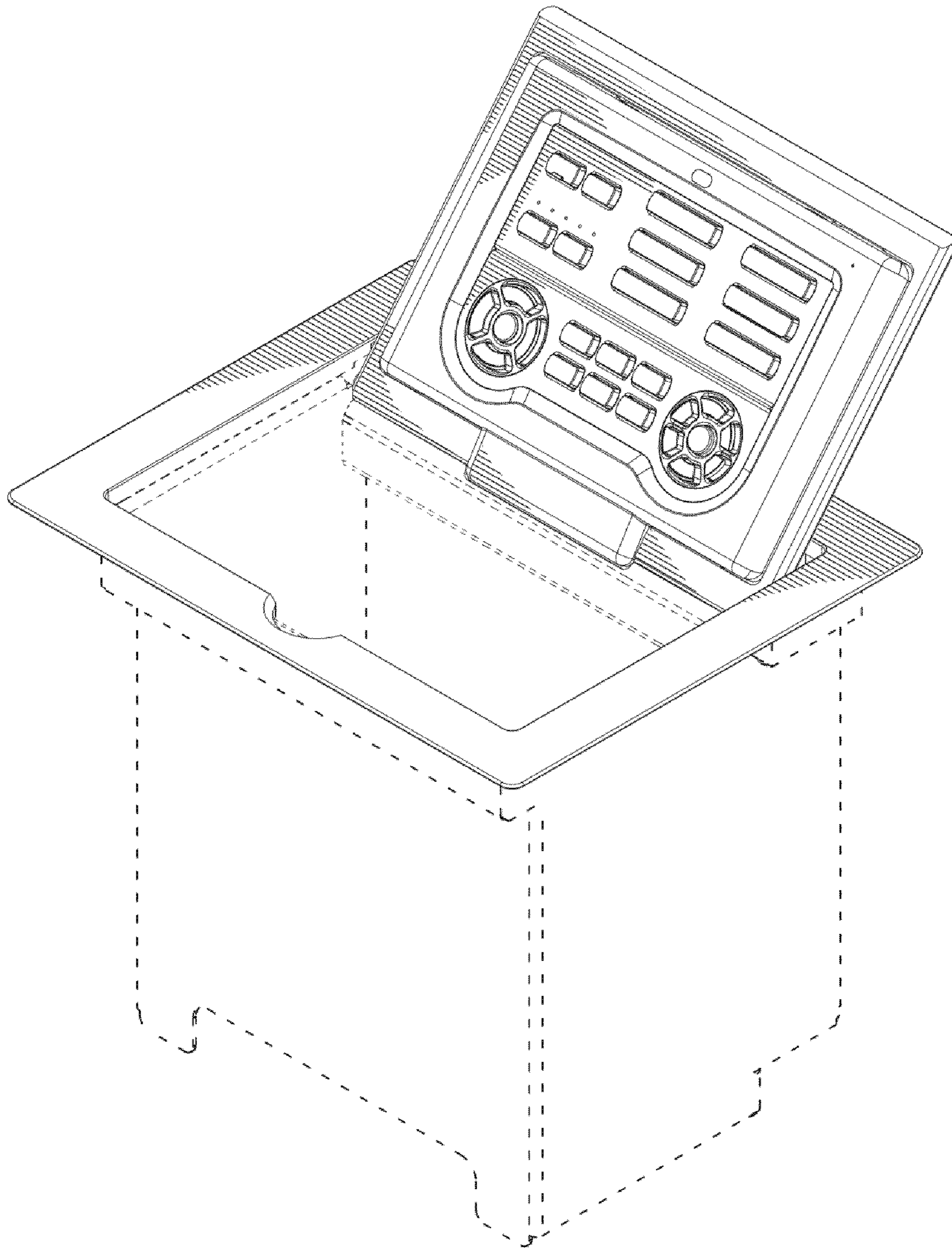


FIG.1

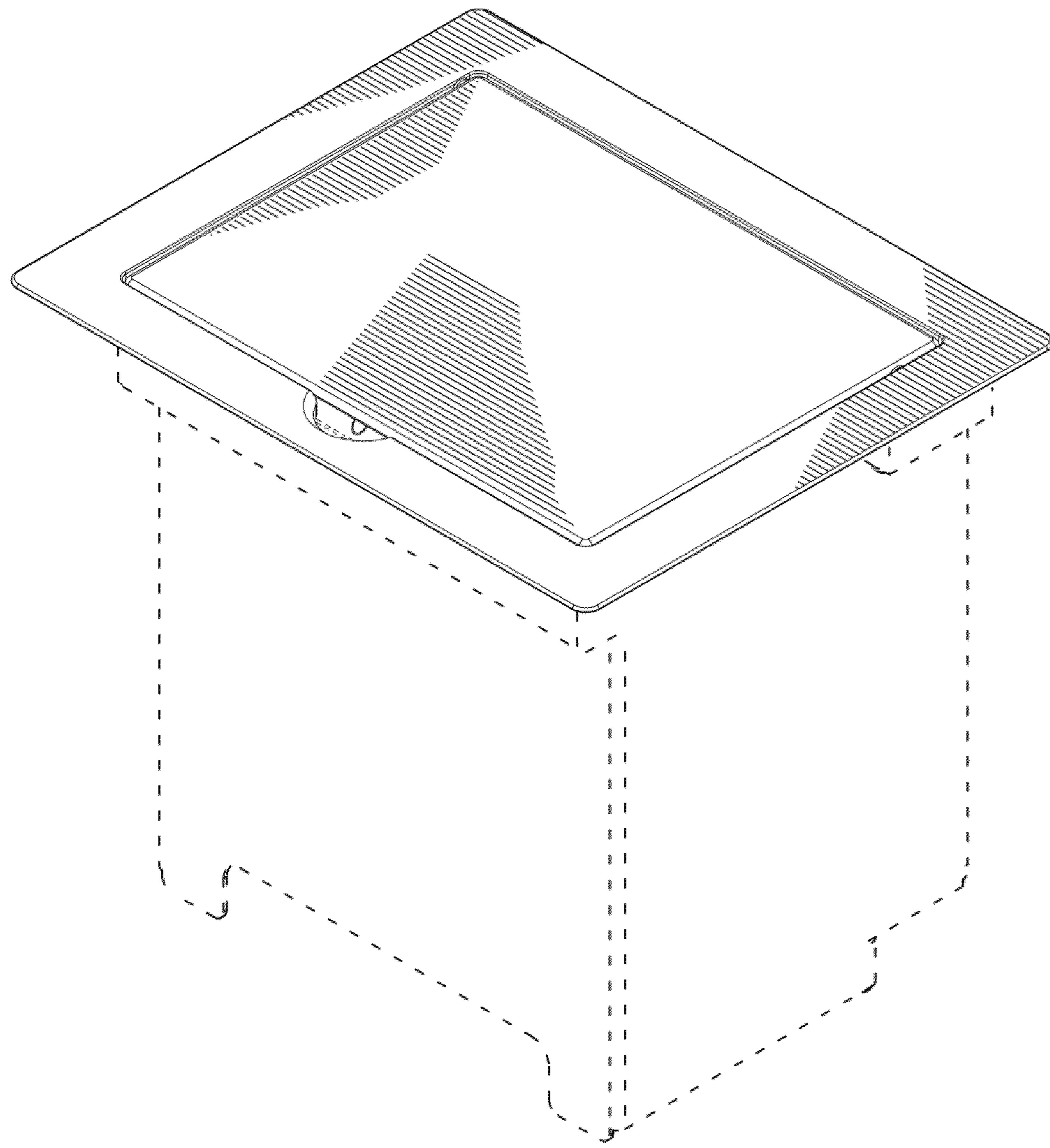


FIG.2

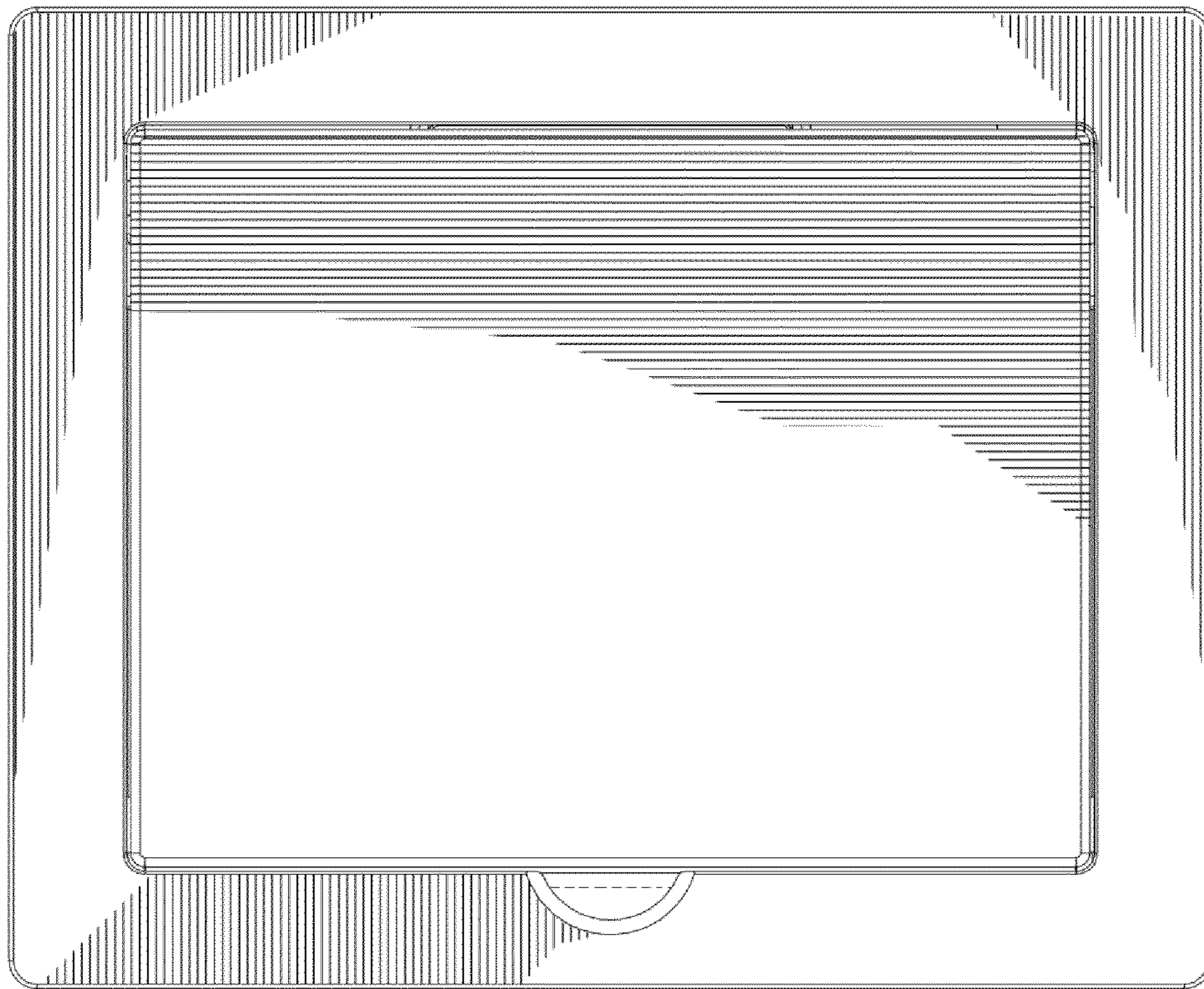


FIG.3

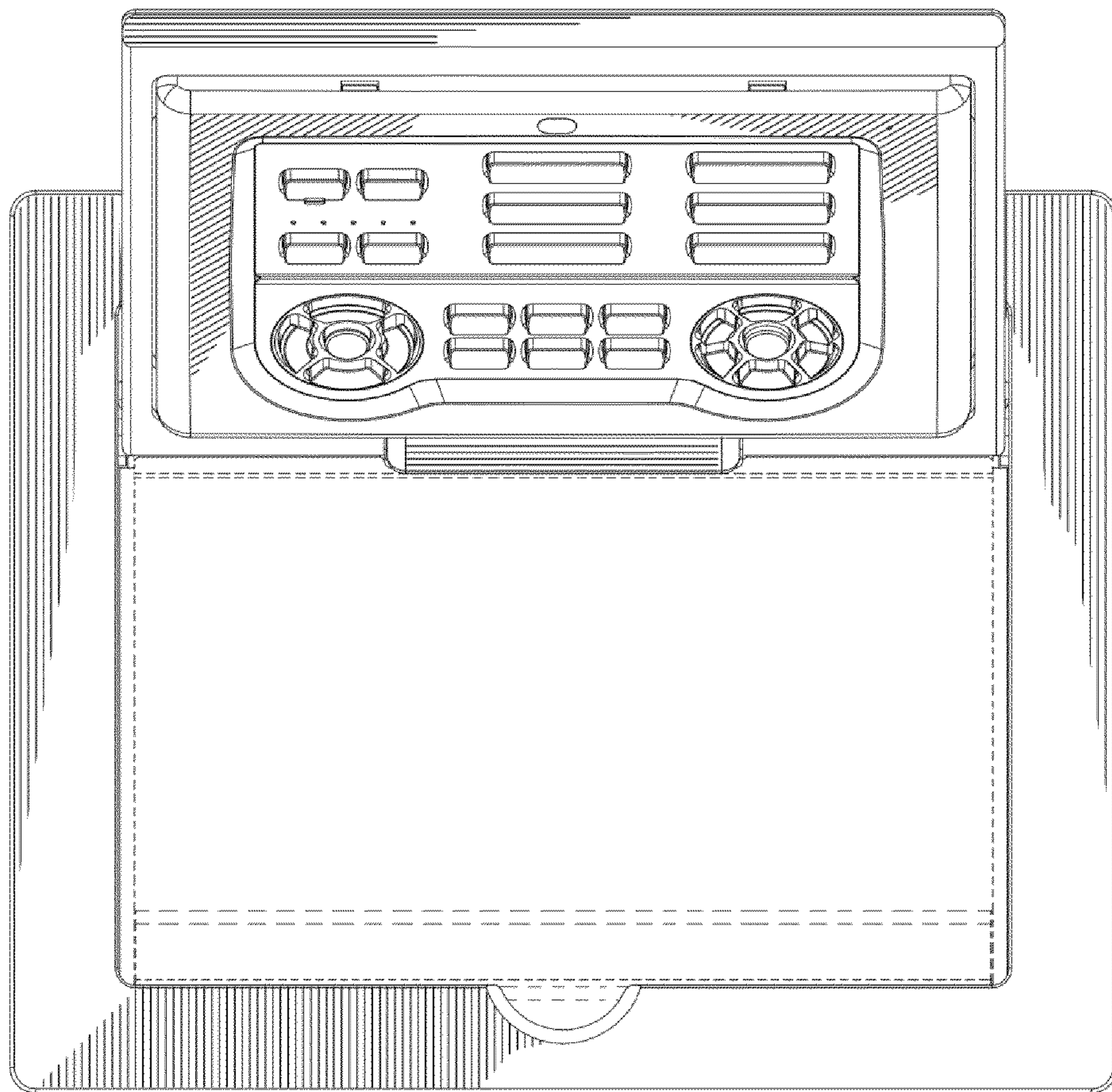


FIG.4

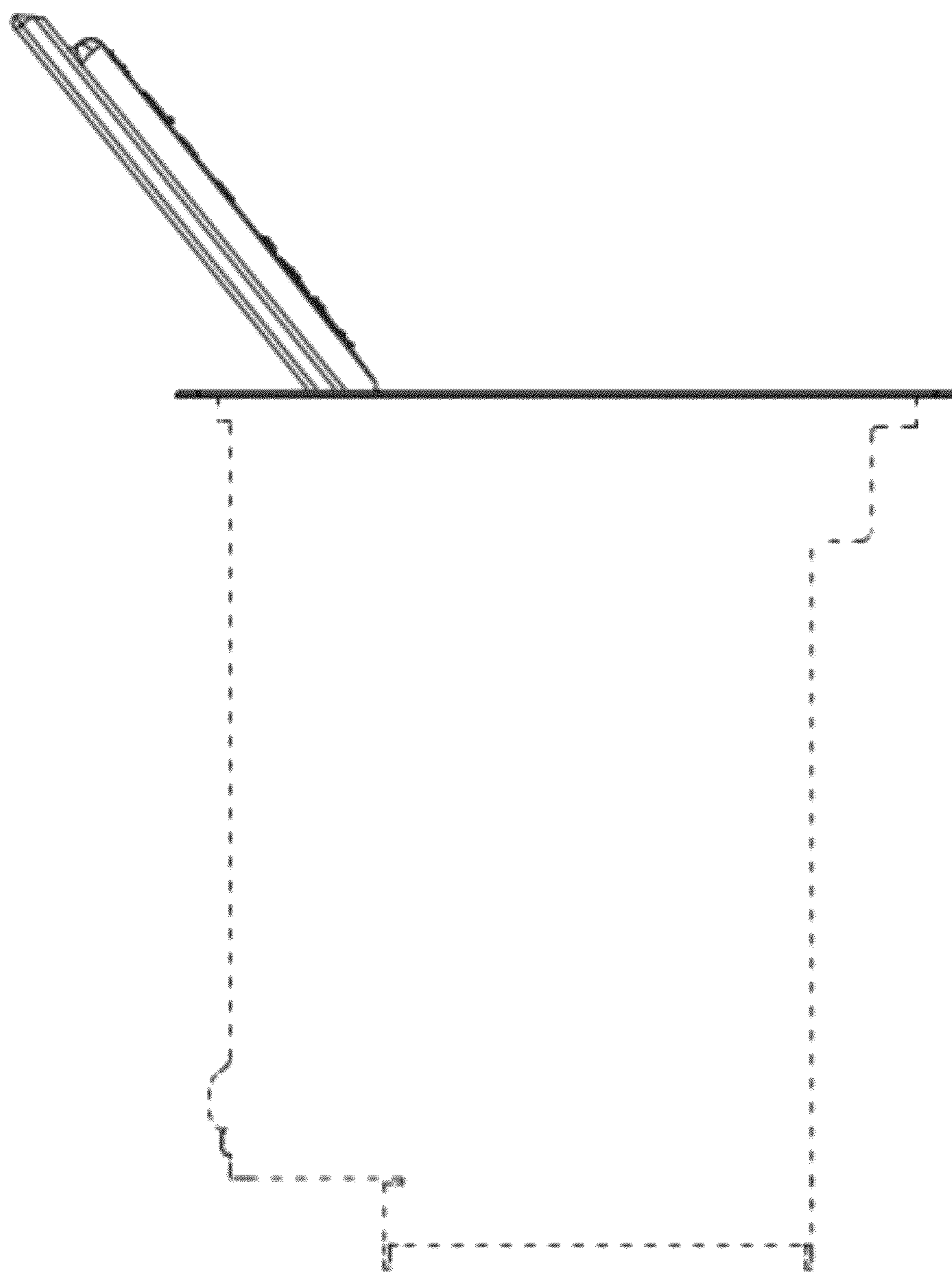


FIG.5

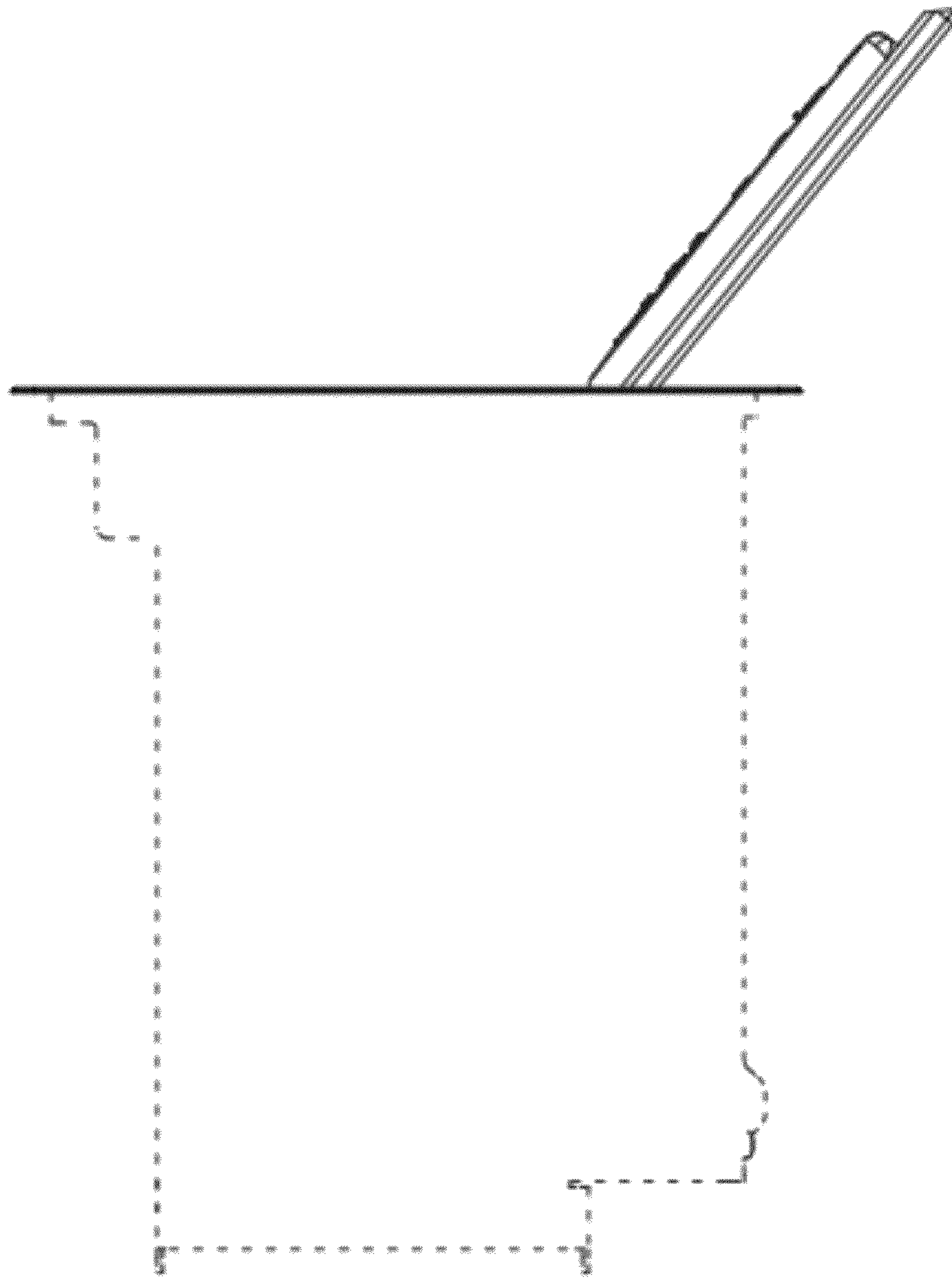


FIG.6

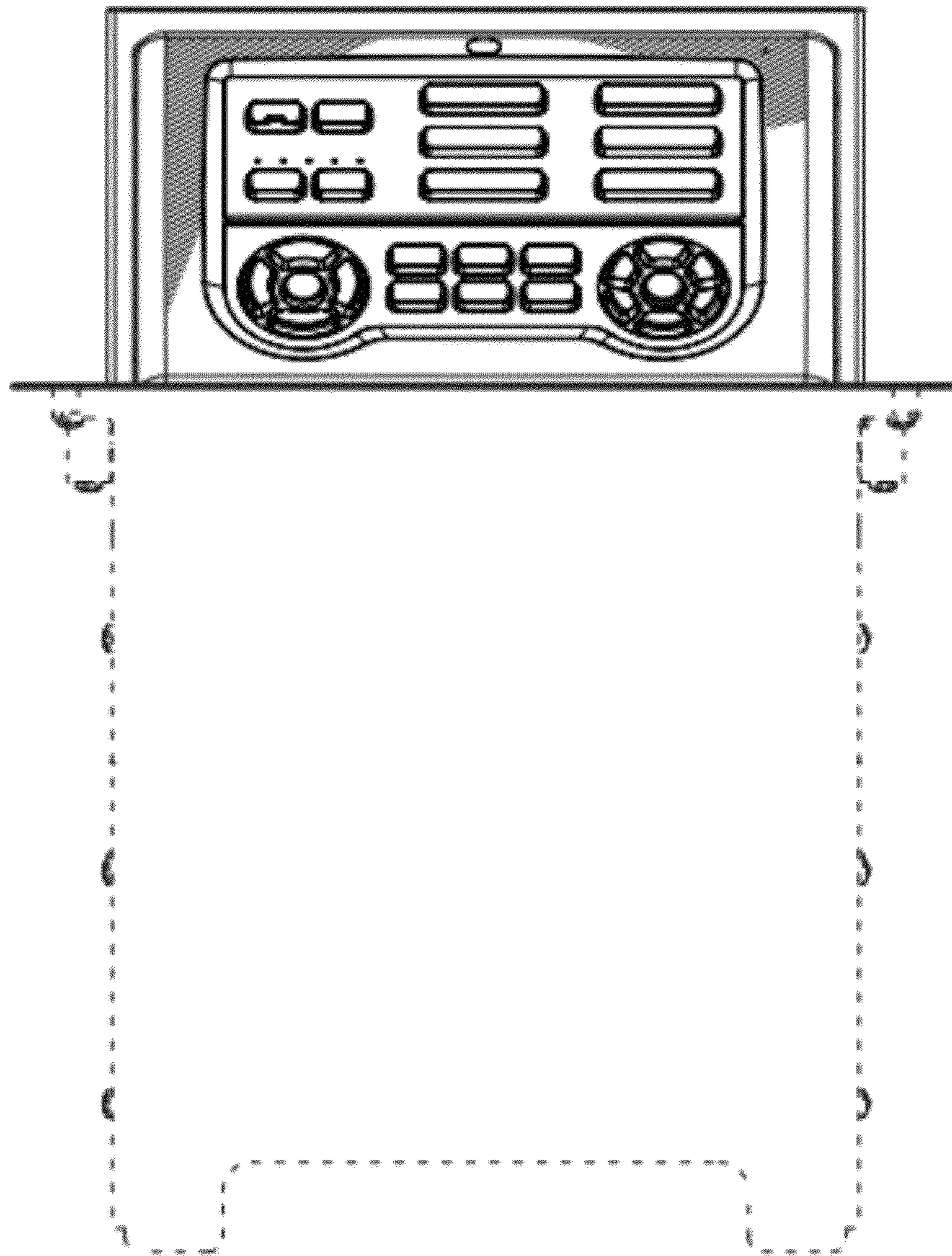


FIG. 7

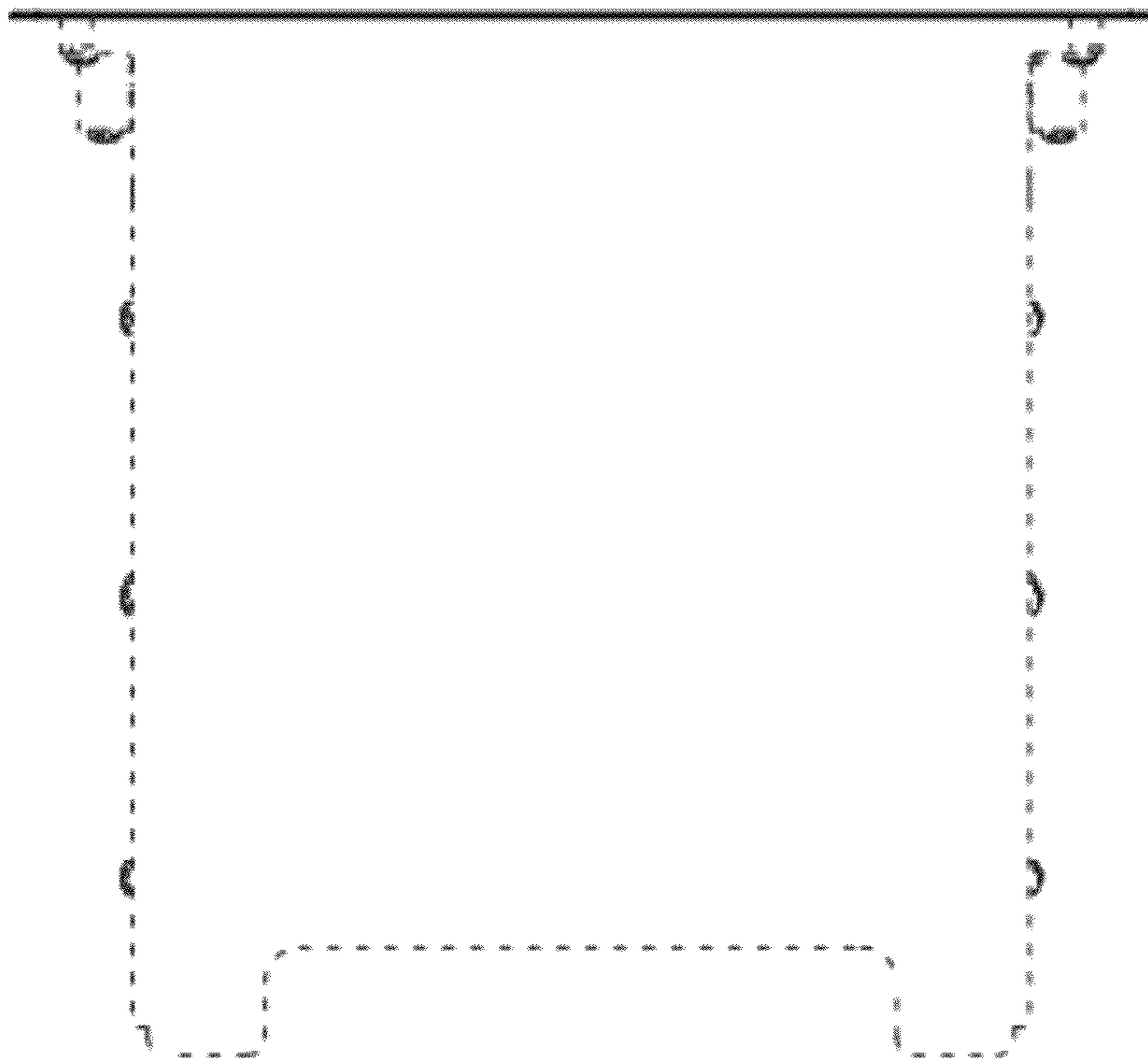


FIG.8