

US00D664048S

(12) **United States Design Patent**
Mille

(10) **Patent No.:** **US D664,048 S**
(45) **Date of Patent:** **** Jul. 24, 2012**

(54) **WATCH**

(75) **Inventor:** **Richard Mille**, Moulins (FR)

(73) **Assignee:** **Turlen Holding SA**, Soyhieres (CH)

(**) **Term:** **14 Years**

(21) **Appl. No.:** **29/383,735**

(22) **Filed:** **Jan. 21, 2011**

(30) **Foreign Application Priority Data**

Jul. 23, 2010 (WO) DM/073 976

(51) **LOC (9) Cl.** **10-02**

(52) **U.S. Cl.** **D10/39**

(58) **Field of Classification Search** D10/30-39,
D10/123-126; 368/276, 281, 282, 80, 223,
368/228, 232, 285

See application file for complete search history.

(56) **References Cited**

U.S. PATENT DOCUMENTS

4,534,660	A	*	8/1985	Laesser	368/220
D438,473	S	*	3/2001	Dumas	D10/39
D475,935	S	*	6/2003	Modolo	D10/39
D505,342	S	*	5/2005	Hayek	D10/39
D508,421	S	*	8/2005	Diltoer	D10/39
D519,390	S	*	4/2006	Lovegrove	D10/39
D528,019	S	*	9/2006	Bedat	D10/39
D530,628	S	*	10/2006	Raffy	D10/32
D534,438	S	*	1/2007	Bedat	D10/32

D568,180	S	*	5/2008	Laucella	D10/39
D570,230	S	*	6/2008	Monachon	D10/32
D579,793	S	*	11/2008	Hayek	D10/39
D606,423	S	*	12/2009	Mille	D10/38
D616,312	S	*	5/2010	Ellia	D10/39
D624,439	S	*	9/2010	Wunderman	D10/32
D629,322	S	*	12/2010	Behling	D10/124
D636,692	S	*	4/2011	Pospieszny et al.	D10/129

FOREIGN PATENT DOCUMENTS

CH 699165 B1 * 1/2010

* cited by examiner

Primary Examiner — Lucy Lieberman

(74) *Attorney, Agent, or Firm* — Collen IP; Donald J. Ranft

(57) **CLAIM**

The ornamental design for a watch, as shown and described.

DESCRIPTION

FIG. 1 is a front perspective view of a watch showing our new design;

FIG. 2 is a front view thereof;

FIG. 3 is a rear view thereof;

FIG. 4 is a bottom view thereof;

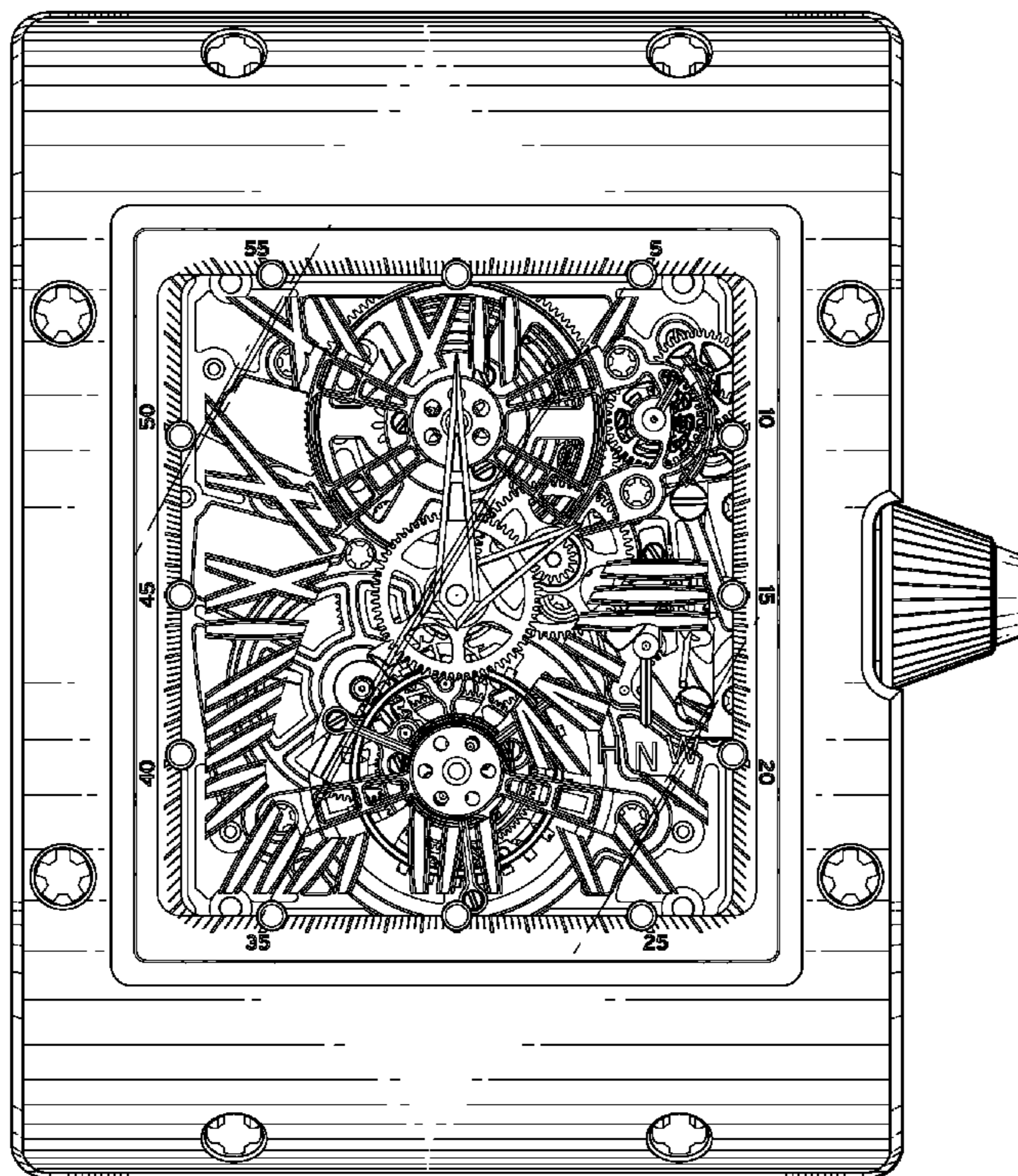
FIG. 5 is a top view thereof;

FIG. 6 is right side view thereof; and,

FIG. 7 is a left side view thereof.

The broken lines in FIG. 3 are used to show portions of the watch that do not form part of the claimed design.

1 Claim, 5 Drawing Sheets



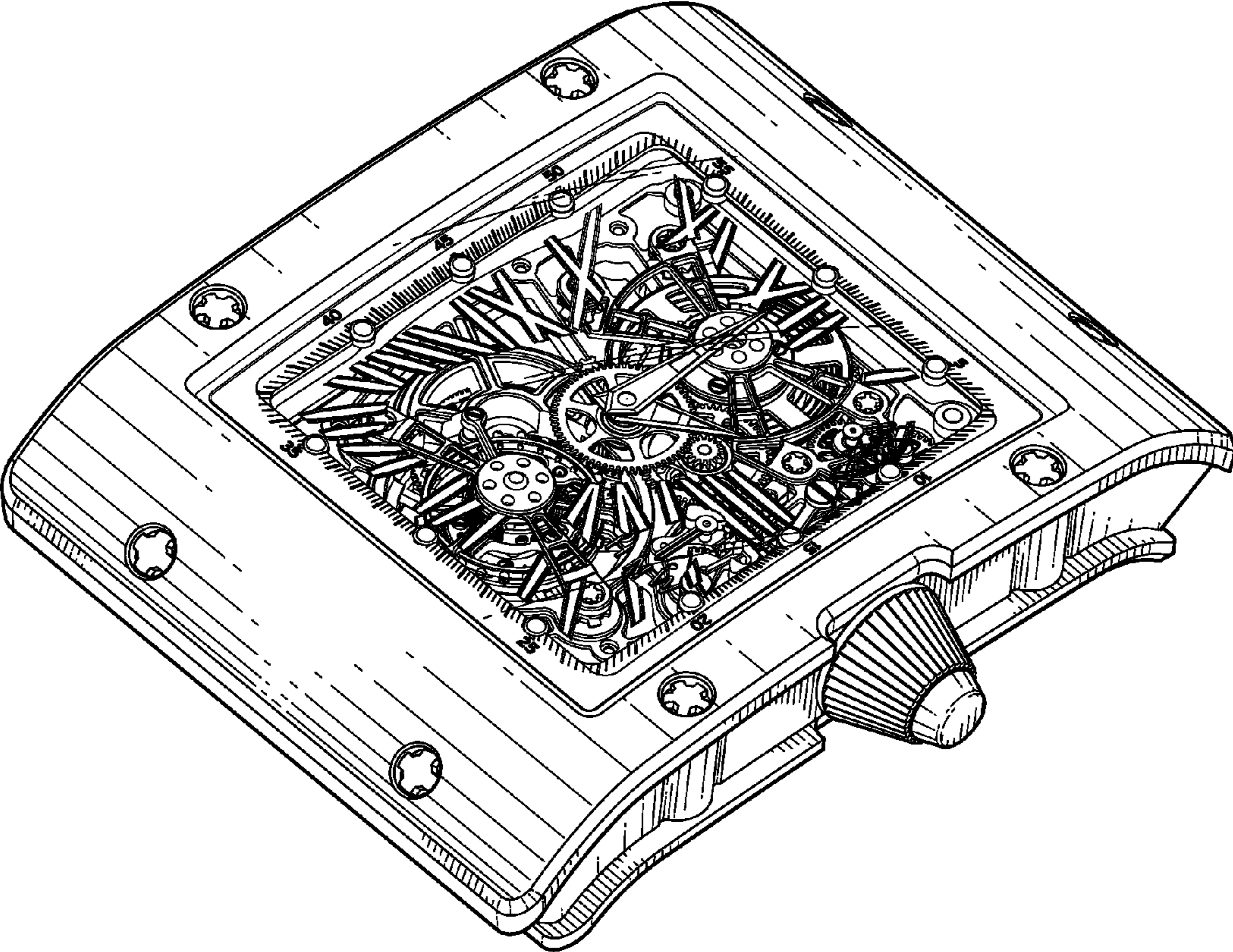


FIG. 1

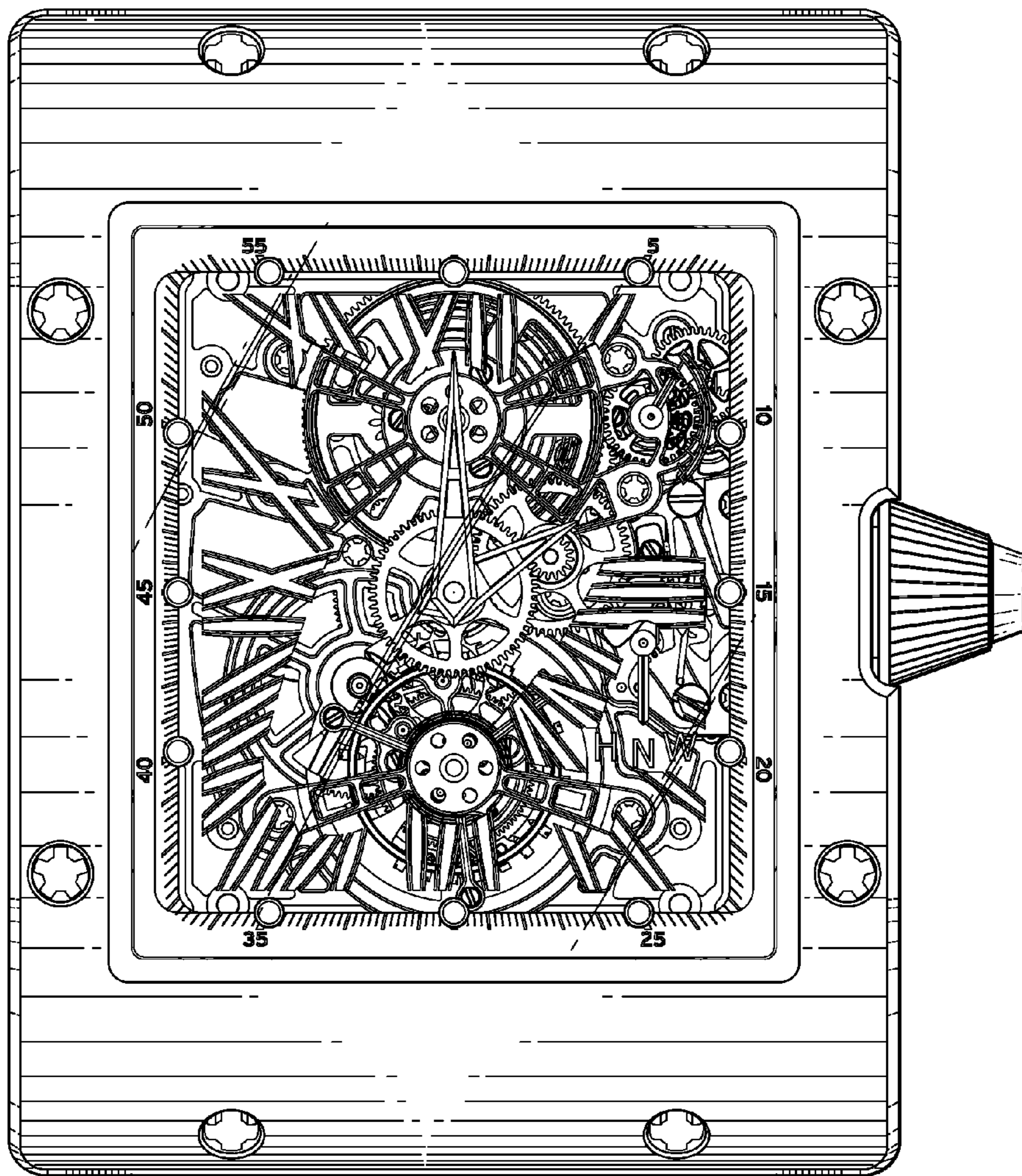


FIG. 2

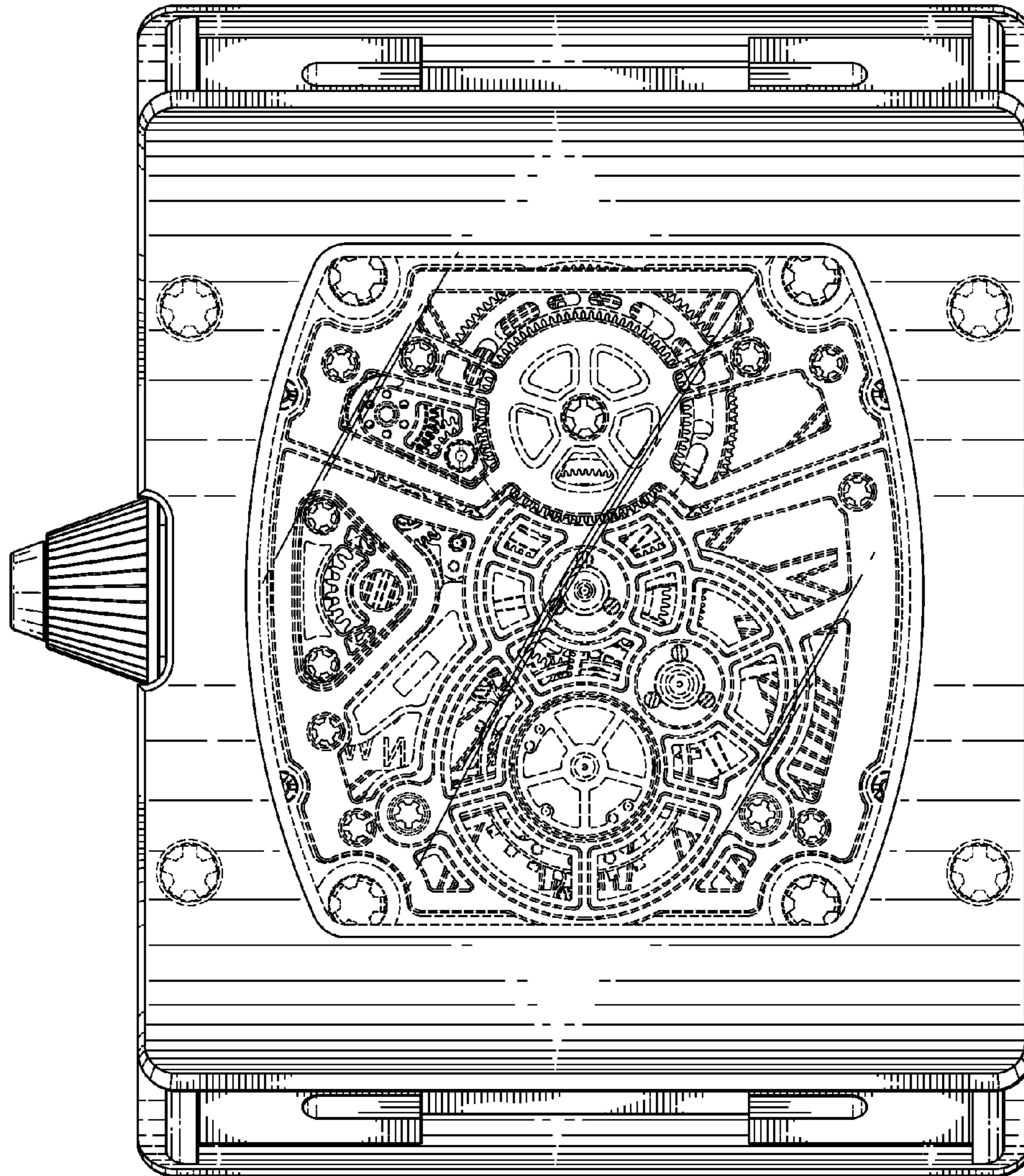


FIG.3

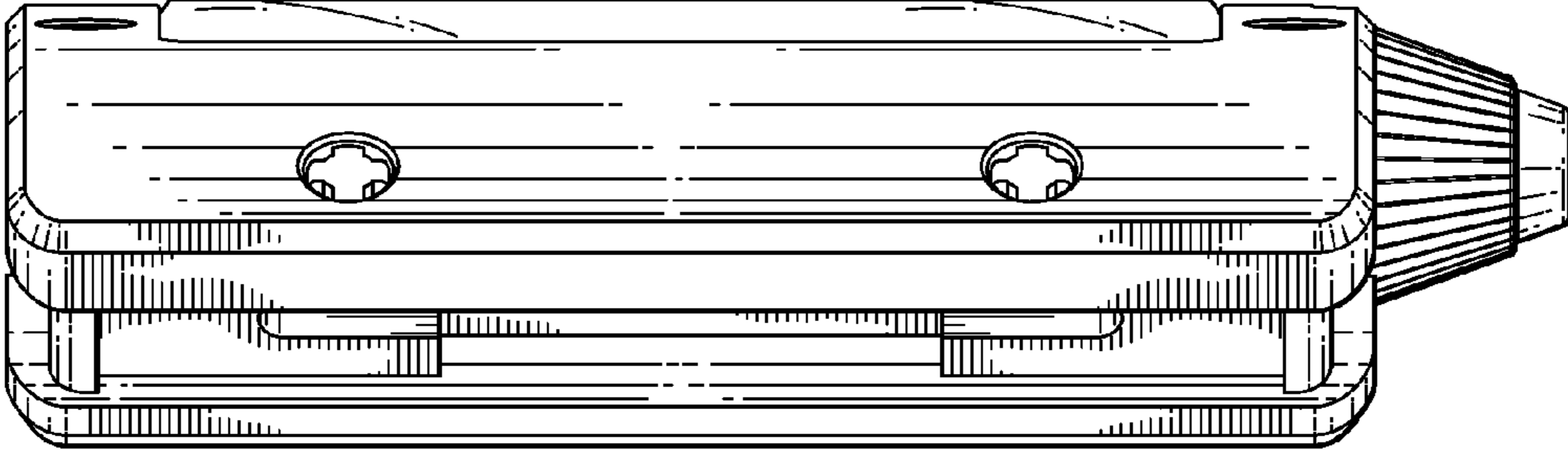


FIG. 4

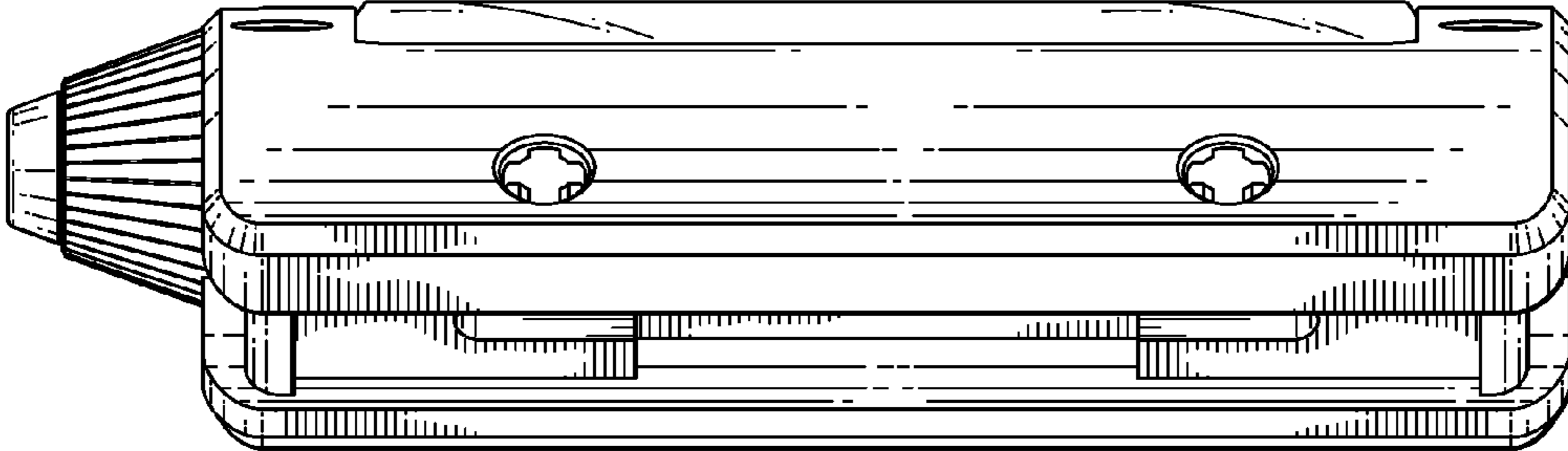


FIG. 5

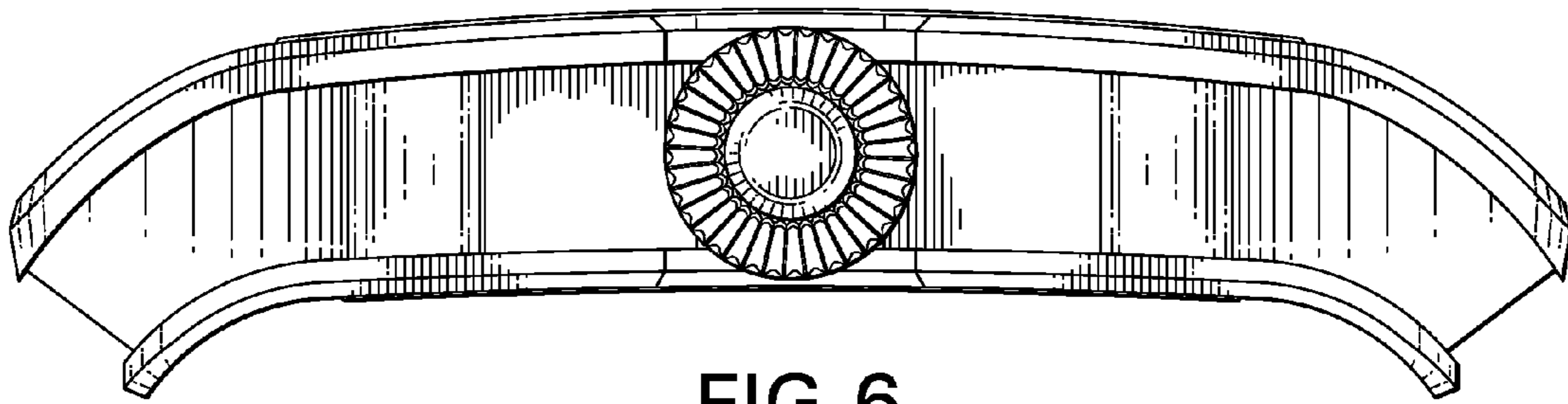


FIG. 6

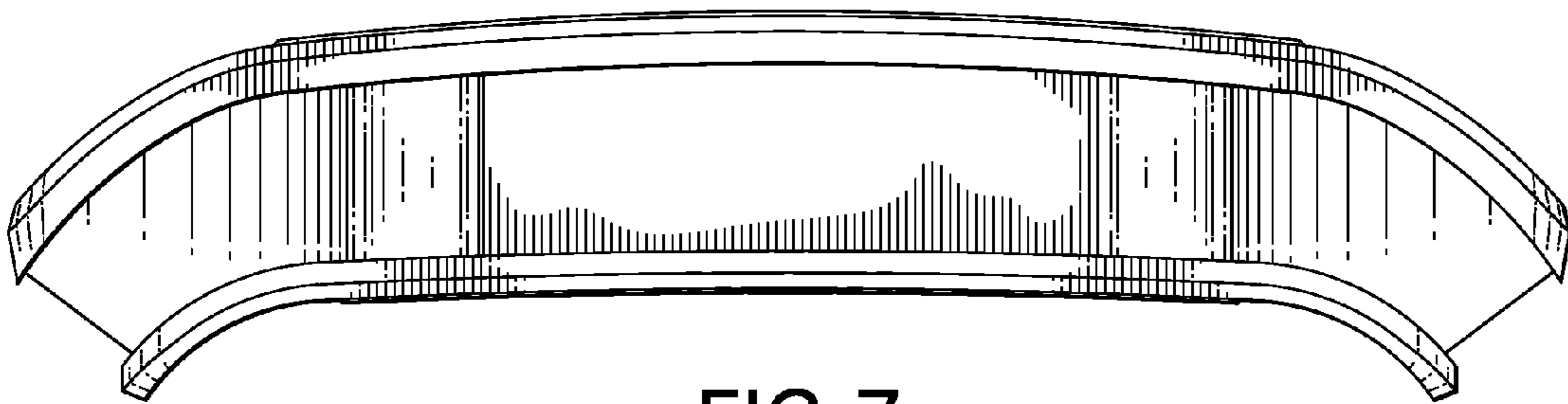


FIG. 7