



US00D664046S

(12) **United States Design Patent**  
**Claessens**

(10) **Patent No.:** **US D664,046 S**  
(45) **Date of Patent:** **\*\* Jul. 24, 2012**

(54) **WATCH**

(75) **Inventor:** **Vincent Claessens**, Villars-sous Yens  
(CH)

(73) **Assignee:** **ClaessensKids Sarl**, Villars-sous-Yens  
(CH)

(\*\*) **Term:** **14 Years**

(21) **Appl. No.:** **29/347,713**

(22) **Filed:** **Apr. 19, 2010**

(30) **Foreign Application Priority Data**

Oct. 19, 2009 (CH) ..... 136489

(51) **LOC (9) Cl.** ..... **10-02**

(52) **U.S. Cl.** ..... **D10/32**

(58) **Field of Classification Search** ..... D10/30-39,  
D10/122-132; 368/276, 281, 282, 285, 80,  
368/223, 228, 232, 239-242, 229

See application file for complete search history.

(56) **References Cited**

**U.S. PATENT DOCUMENTS**

1,989,881	A *	2/1935	Putnam	.....	368/229
2,177,234	A *	10/1939	Walser	.....	368/77
D184,355	S *	2/1959	Judson	.....	D10/124
D311,693	S *	10/1990	Woomer	.....	D10/39
D317,873	S *	7/1991	Woomer	.....	D10/39
D317,874	S *	7/1991	Woomer	.....	D10/39
D319,401	S *	8/1991	Woomer	.....	D10/35
D324,653	S *	3/1992	Mandelli	.....	D10/34

D324,654	S *	3/1992	Mandelli	.....	D10/34
D326,230	S *	5/1992	Wilson	.....	D10/33
D346,565	S *	5/1994	Kaneko	.....	D10/126
D351,558	S *	10/1994	Moon	.....	D10/32
D363,882	S *	11/1995	Bodino	.....	D10/32
D377,452	S *	1/1997	Boone	.....	D10/40
D387,674	S *	12/1997	Papiernik	.....	D10/30
D411,116	S *	6/1999	Bodino	.....	D10/32
D451,821	S *	12/2001	Matsuda	.....	D10/30
D455,662	S *	4/2002	Johnston et al.	.....	D10/32
D464,575	S *	10/2002	Roth et al.	.....	D10/30
D464,898	S *	10/2002	Sercaz	.....	D10/126
D471,477	S *	3/2003	Sercaz	.....	D10/126
D536,265	S *	2/2007	Reynoso	.....	D10/31
D542,157	S *	5/2007	Lafever et al.	.....	D10/32
D559,707	S *	1/2008	Gruosi	.....	D10/30
D589,375	S *	3/2009	Tang	.....	D10/32
D637,918	S *	5/2011	Cobbett et al.	.....	D10/31

\* cited by examiner

*Primary Examiner* — Lucy Lieberman

(74) *Attorney, Agent, or Firm* — Harness, Dickey & Pierce, P.L.C.

(57) **CLAIM**

The ornamental design for a watch, as shown and described.

**DESCRIPTION**

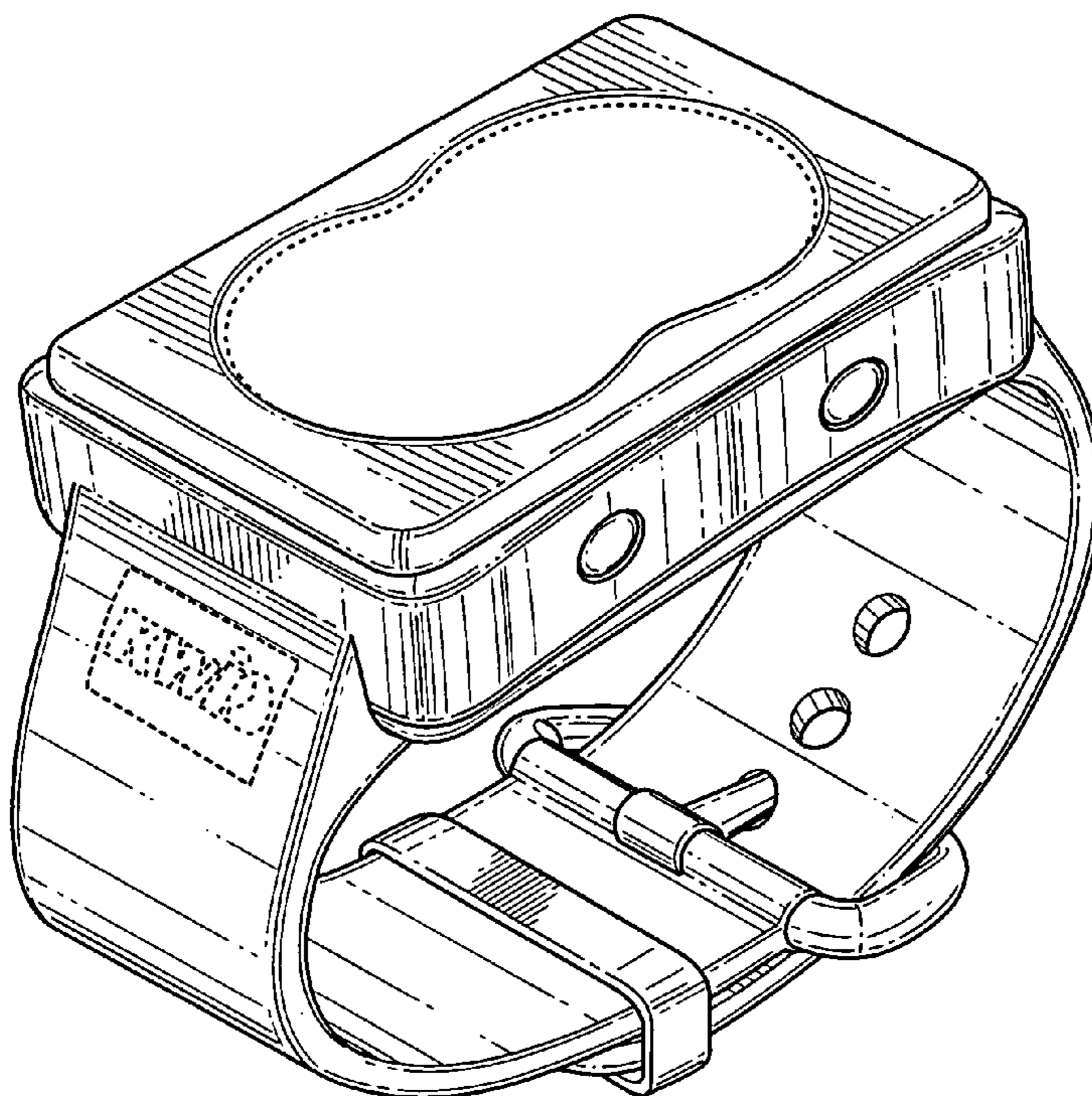
FIG. 1 is a top left side perspective view of a watch showing my new design,

FIG. 2 is a top view thereof; and,

FIG. 3 is a top right side perspective view thereof.

The broken lines shown in the drawings are for illustrative purposes only and from no part of the claimed design.

**1 Claim, 2 Drawing Sheets**



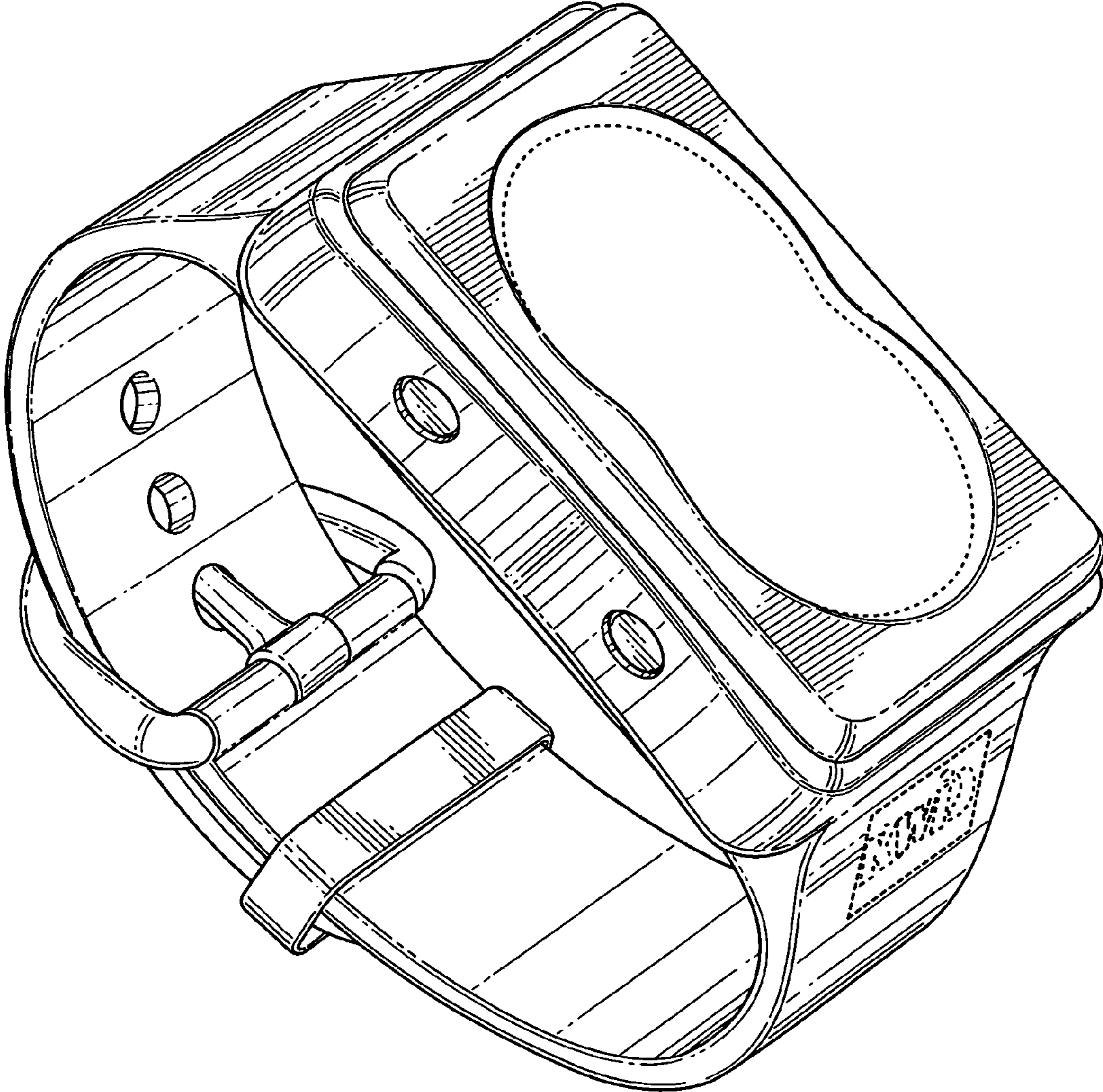


FIG. 1

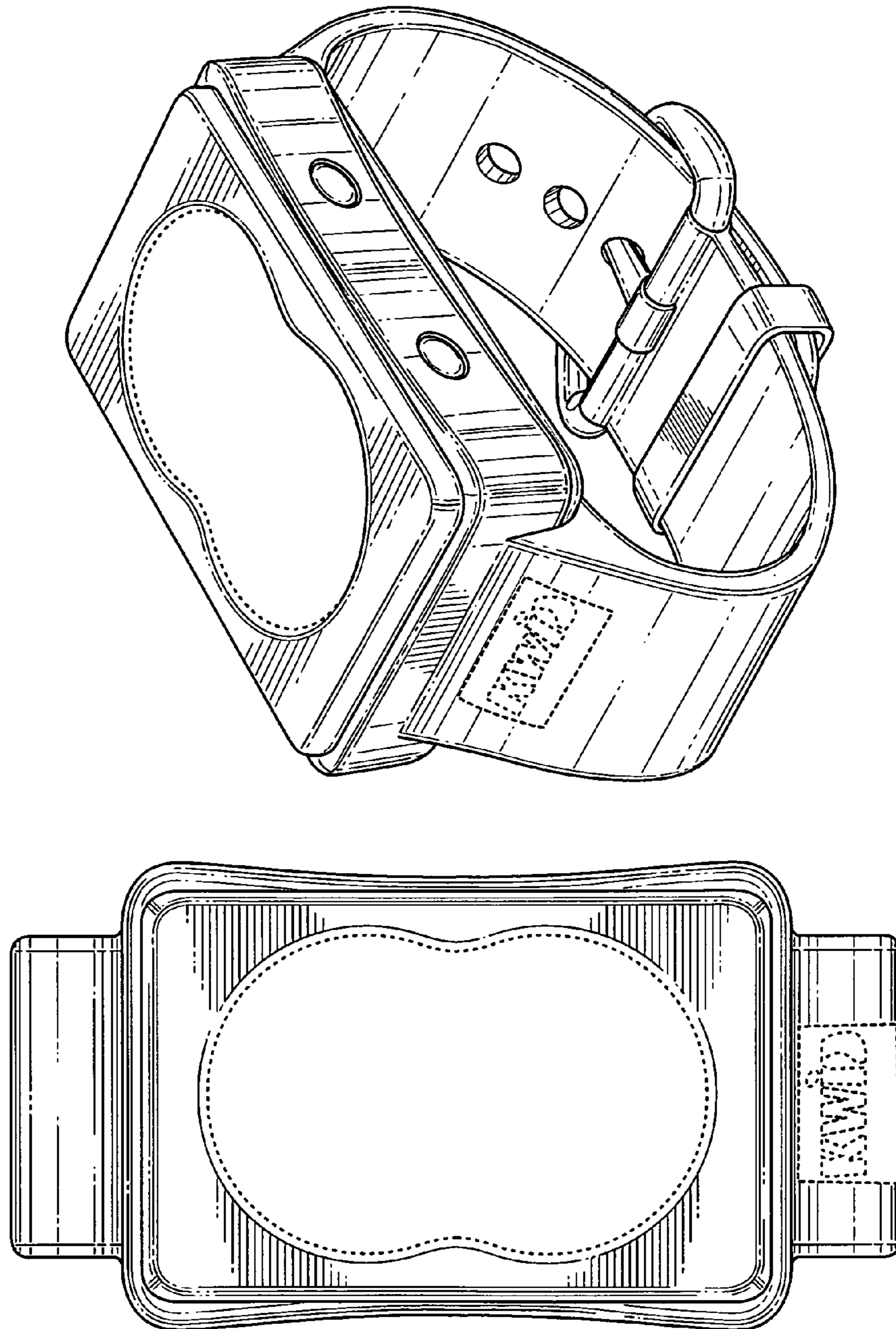


FIG. 3

FIG. 2