

US00D664036S

(12) **United States Design Patent**
Procter

(10) **Patent No.:** **US D664,036 S**
(45) **Date of Patent:** **** Jul. 24, 2012**

(54) **BEVERAGE CONTAINER SEALING LID**

(76) Inventor: **Andrew John Procter**, Goodna (AU)

(**) Term: **14 Years**

(21) Appl. No.: **29/402,632**

(22) Filed: **Sep. 26, 2011**

Related U.S. Application Data

(63) Continuation of application No. PCT/AU2011/000683, filed on Jun. 2, 2011.

(51) **LOC (9) Cl.** **09-07**

(52) **U.S. Cl.** **D9/449; D9/447; D9/454**

(58) **Field of Classification Search** D9/454, D9/452, 449, 447, 440, 436, 435, 697, 422, D9/433, 432, 430, 434, 420; D7/392.1; 222/566, 222/521, 494; 220/837, 835, 811, 810, 713, 220/375, 260, 254.7, 254.3, 254.1; 215/322, 215/321, 306, 305, 237, 235; 206/828, 734, 206/540, 539, 538, 219, 216; 229/906.1; D23/213

See application file for complete search history.

(56) **References Cited**

U.S. PATENT DOCUMENTS

D278,602 S * 4/1985 Rosenstein D9/449
D305,206 S * 12/1989 Hickman et al. D9/449

(Continued)

Primary Examiner — Susan Bennett Hattan

(74) *Attorney, Agent, or Firm* — Michael D. Eisenberg

(57) **CLAIM**

The ornamental design for a beverage container sealing lid, as shown and described.

DESCRIPTION

FIG. 1 is a perspective view of a beverage container sealing lid with the lid upright showing my new design;

FIG. 2 is a front view of the beverage container sealing lid with the lid upright;

FIG. 3 is a left side view of the beverage container sealing lid with the lid upright;

FIG. 4 is a rear view of the beverage container sealing lid with the lid upright;

FIG. 5 is a right side view of the beverage container sealing lid with the lid upright;

FIG. 6 is a top view of the beverage container sealing lid with the lid upright;

FIG. 7 is a bottom view of the beverage container sealing lid with the lid upright;

FIG. 8 is a perspective view of the beverage container sealing lid with the lid open;

FIG. 9 is a front view of the beverage container sealing lid with the lid open;

FIG. 10 is a left side view of the beverage container sealing lid with the lid open;

FIG. 11 is a rear view of the beverage container sealing lid with the lid open;

FIG. 12 is a right side view of the beverage container sealing lid with the lid open;

FIG. 13 is a top view of the beverage container sealing lid with the lid open;

FIG. 14 is a bottom view of the beverage container sealing lid with the lid open;

FIG. 15 is a perspective view of the beverage container sealing lid with the lid closed;

FIG. 16 is a front view of the beverage container sealing lid with the lid closed;

FIG. 17 is a left side view of the beverage container sealing lid with the lid closed;

FIG. 18 is a rear view of the beverage container sealing lid with the lid closed;

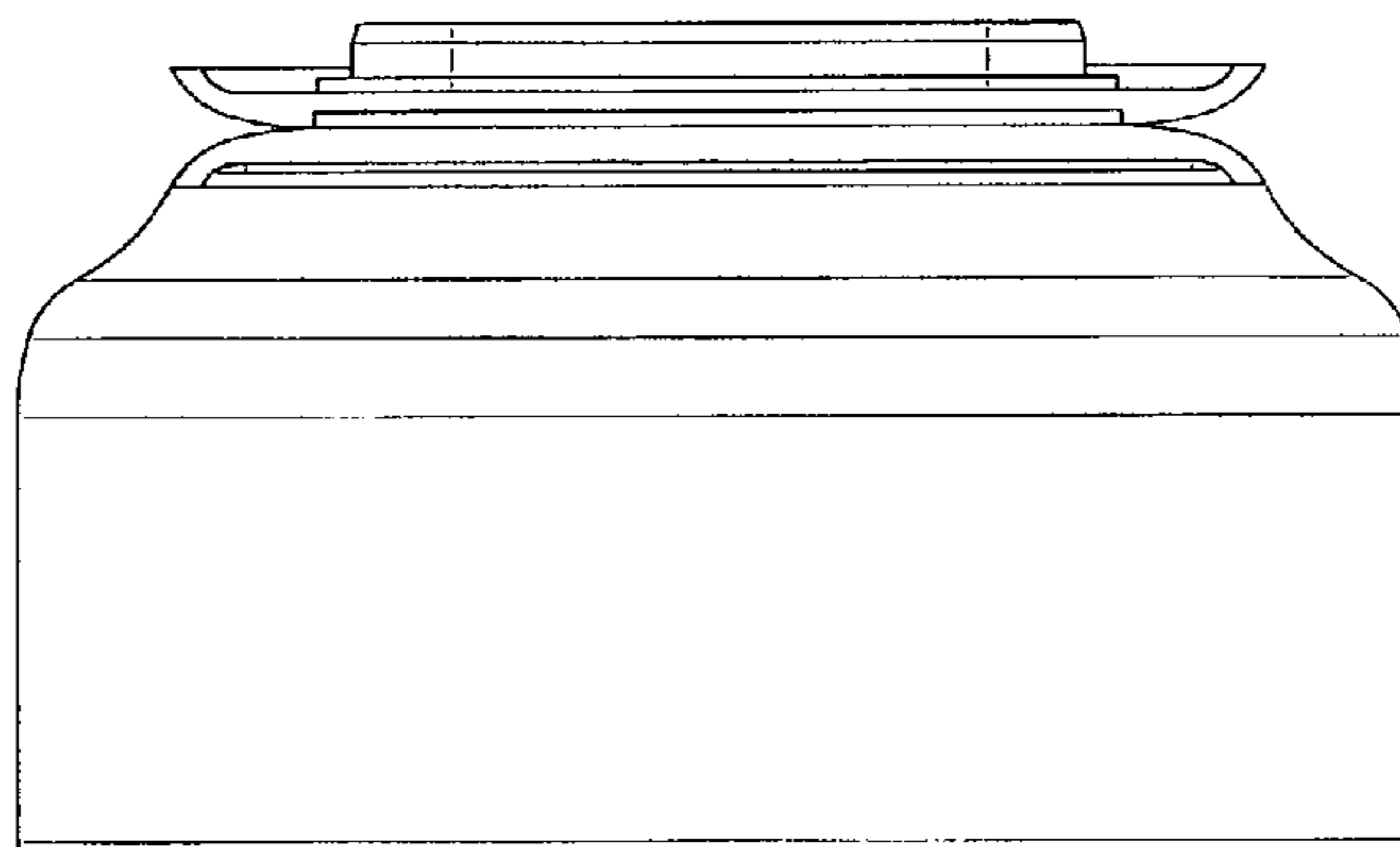
FIG. 19 is a right side view of the beverage container sealing lid with the lid closed;

FIG. 20 is a top view of the beverage container sealing lid with the lid closed; and,

FIG. 21 is a bottom view of the beverage container sealing lid with the lid closed.

The broken lines depict unclaimed environmental subject matter.

1 Claim, 21 Drawing Sheets



US D664,036 S

Page 2

U.S. PATENT DOCUMENTS

D340,187 S	*	10/1993	Forsyth	D9/449																				
D431,458 S	*	10/2000	Bried et al.	D3/203.2																				
D509,426 S	*	9/2005	Samz et al.	D9/447																				
D603,702 S	*	11/2009	Daggett	D9/449																				
						D603,703 S	*	11/2009	Daggett	D9/449														
												8,066,158 B2	*	11/2011	Vogel et al.	222/480								
																				2008/0257918 A1	*	10/2008	Vogel et al.	222/480

* cited by examiner

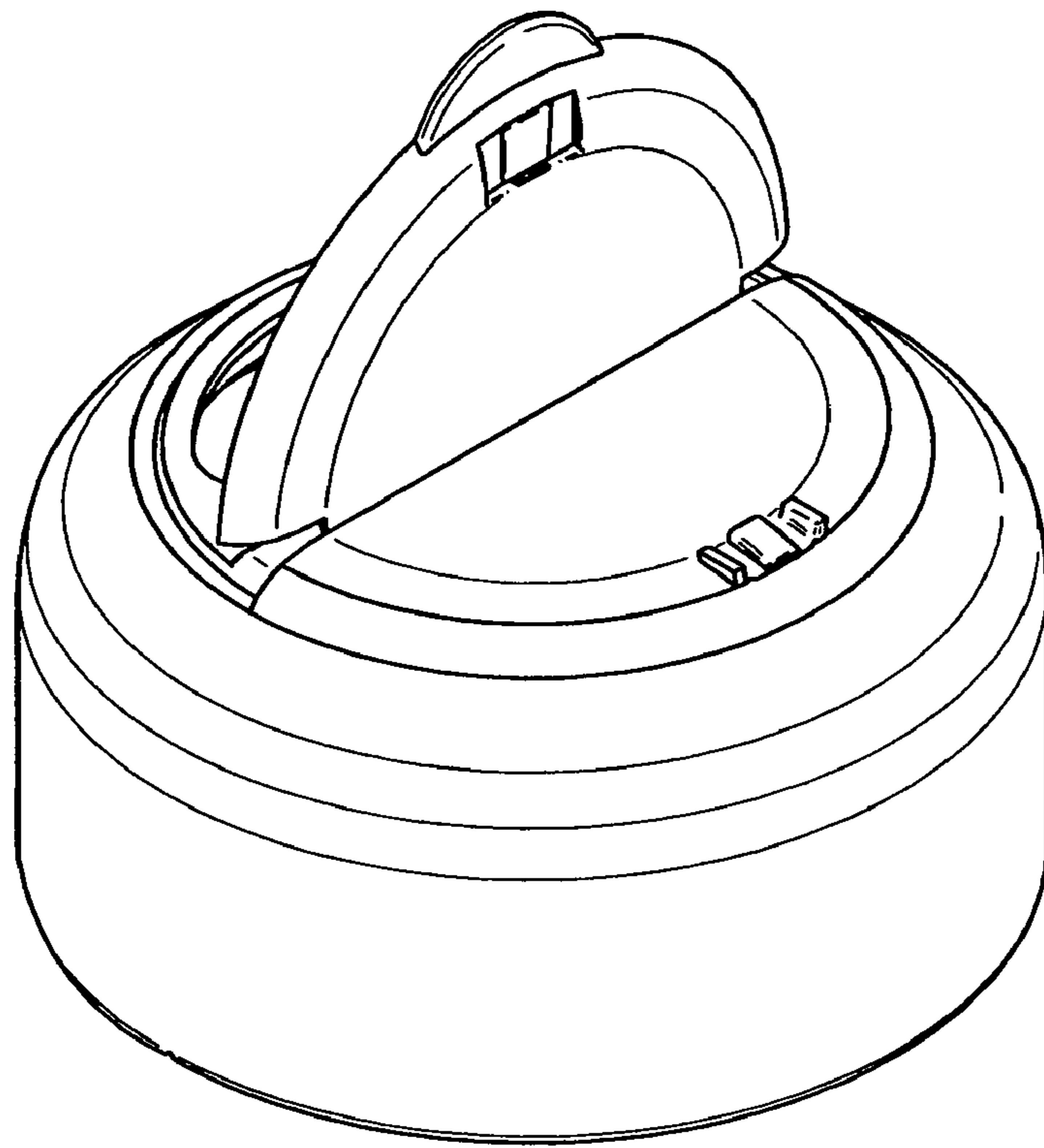


Fig. 1

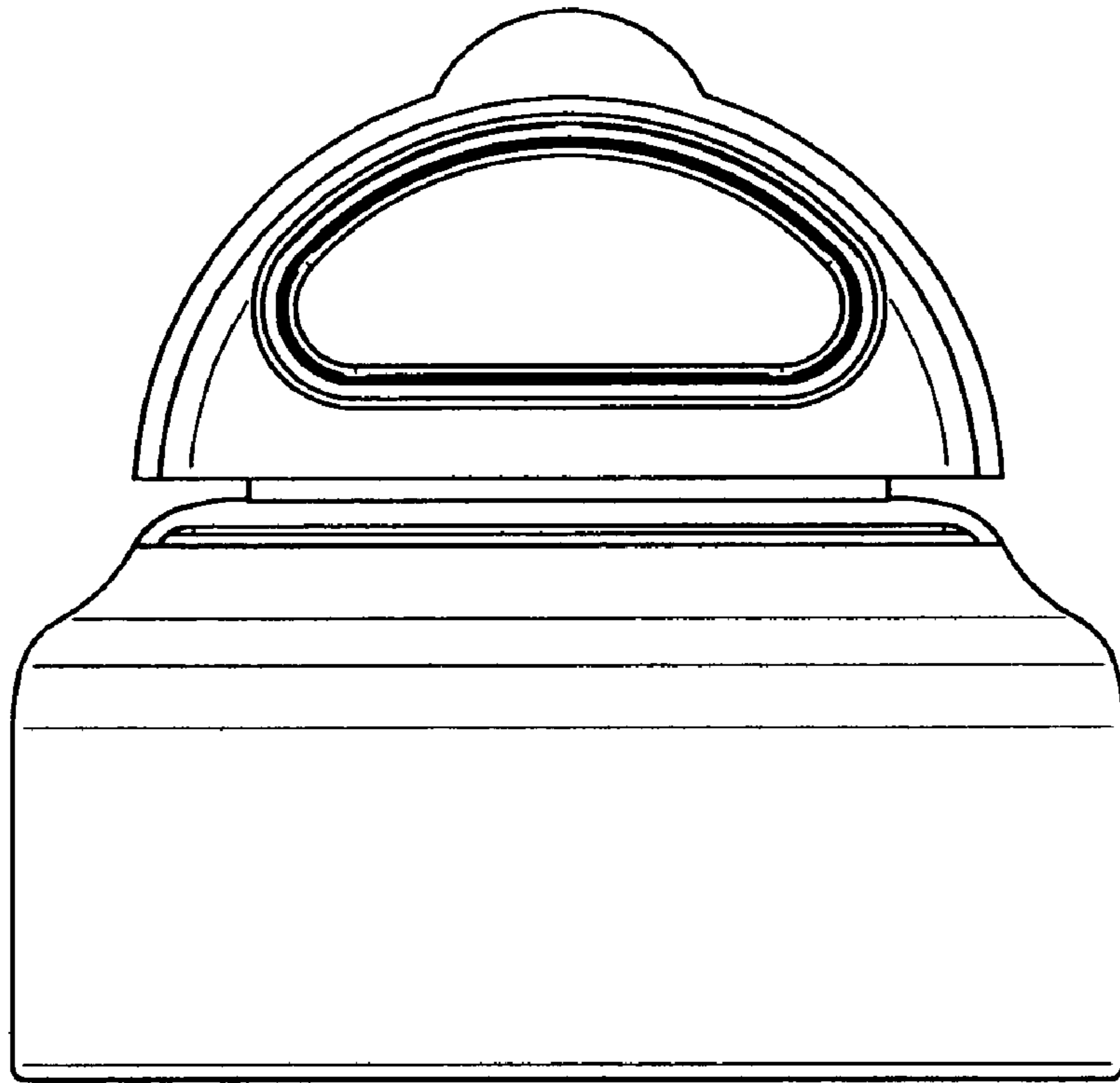


Fig. 2

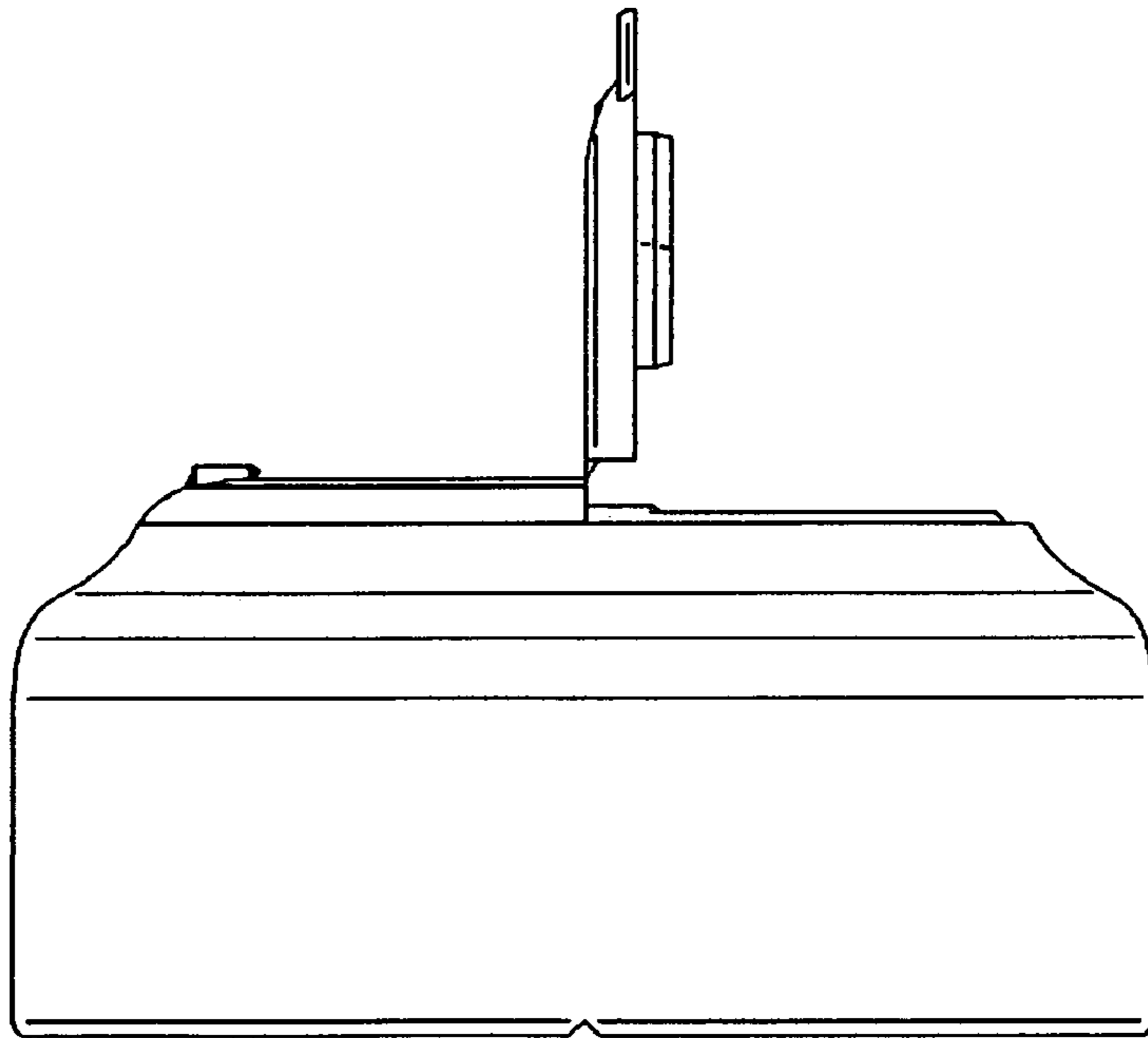


Fig. 3

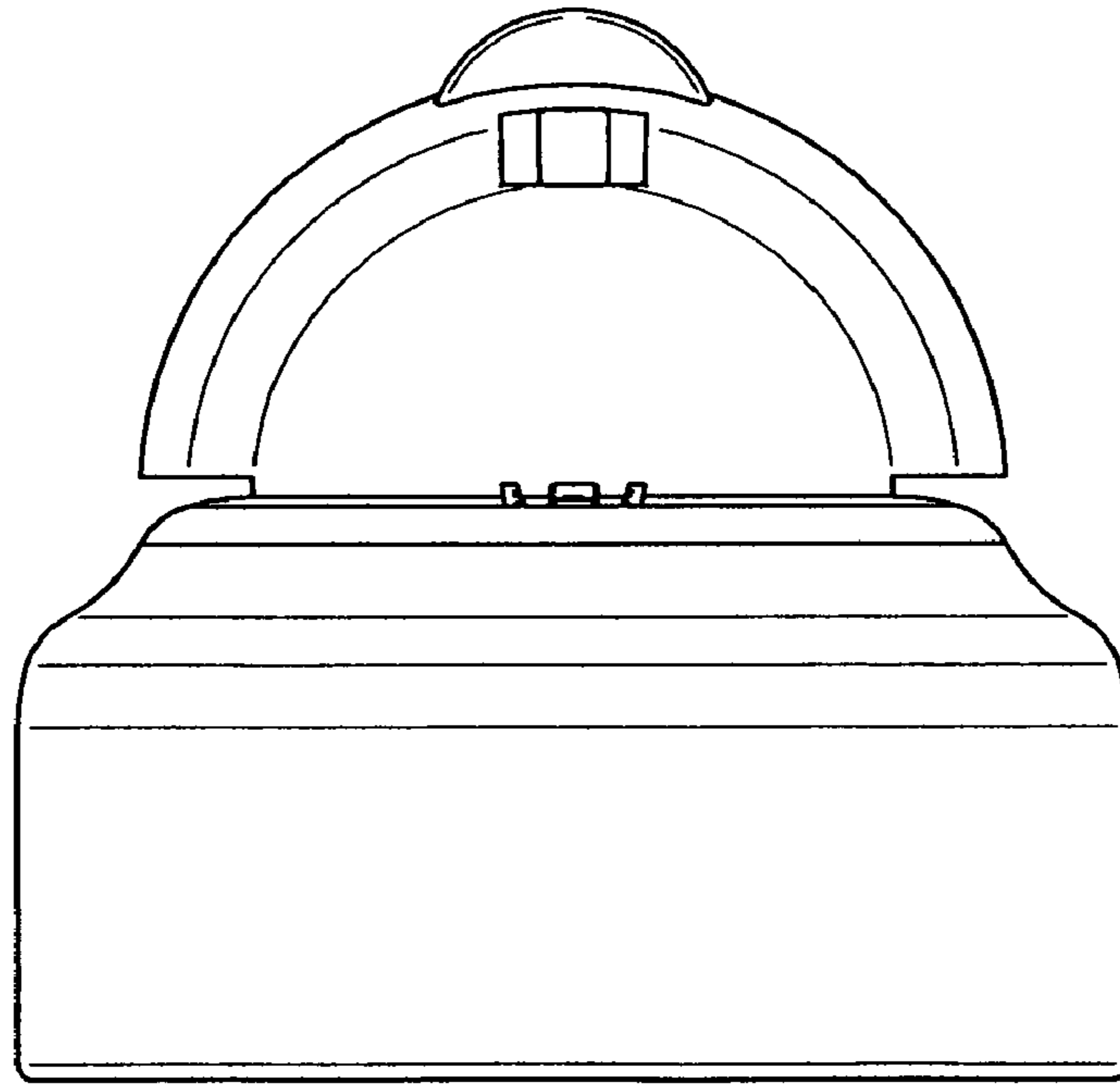


Fig. 4

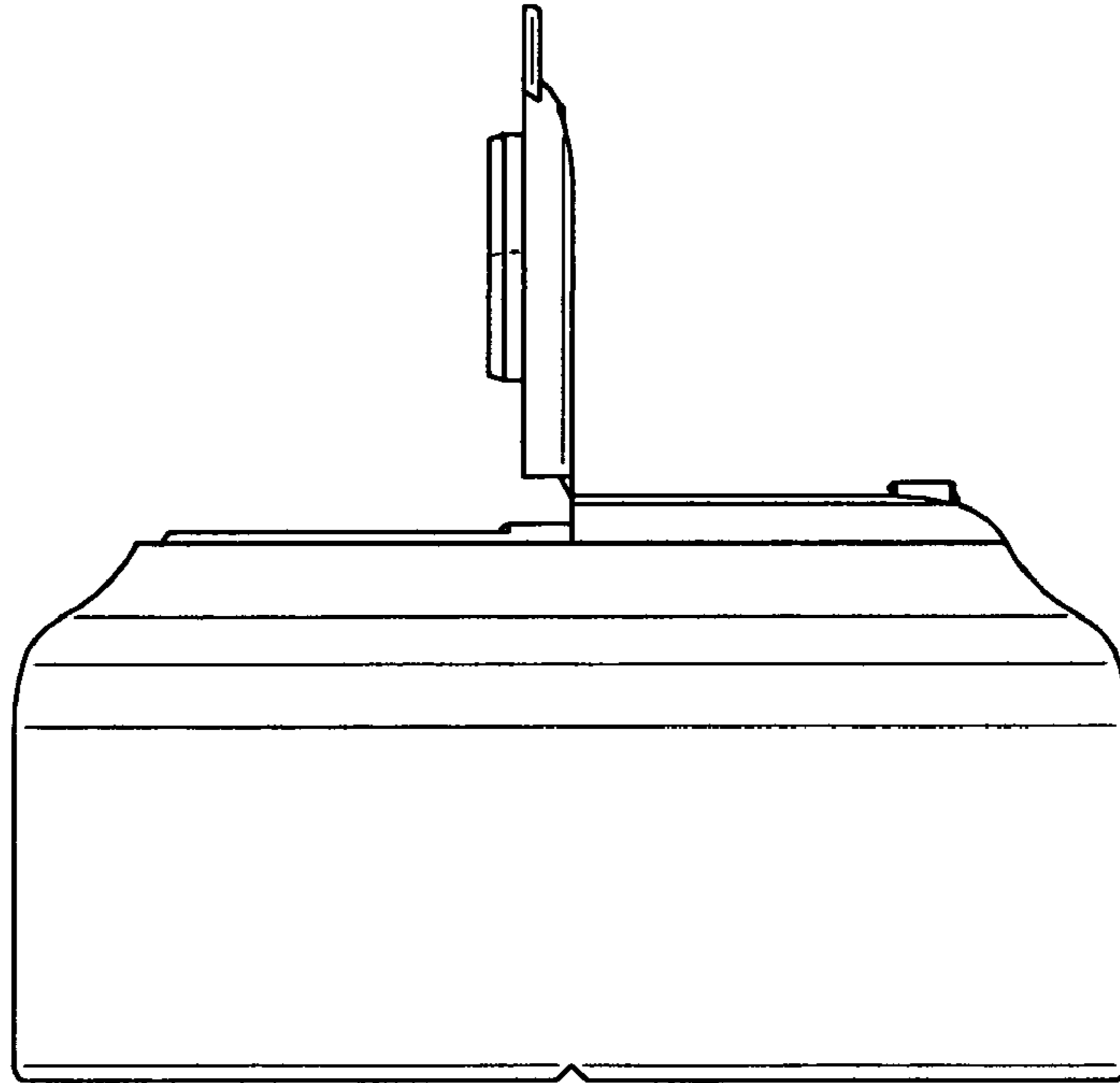


Fig. 5

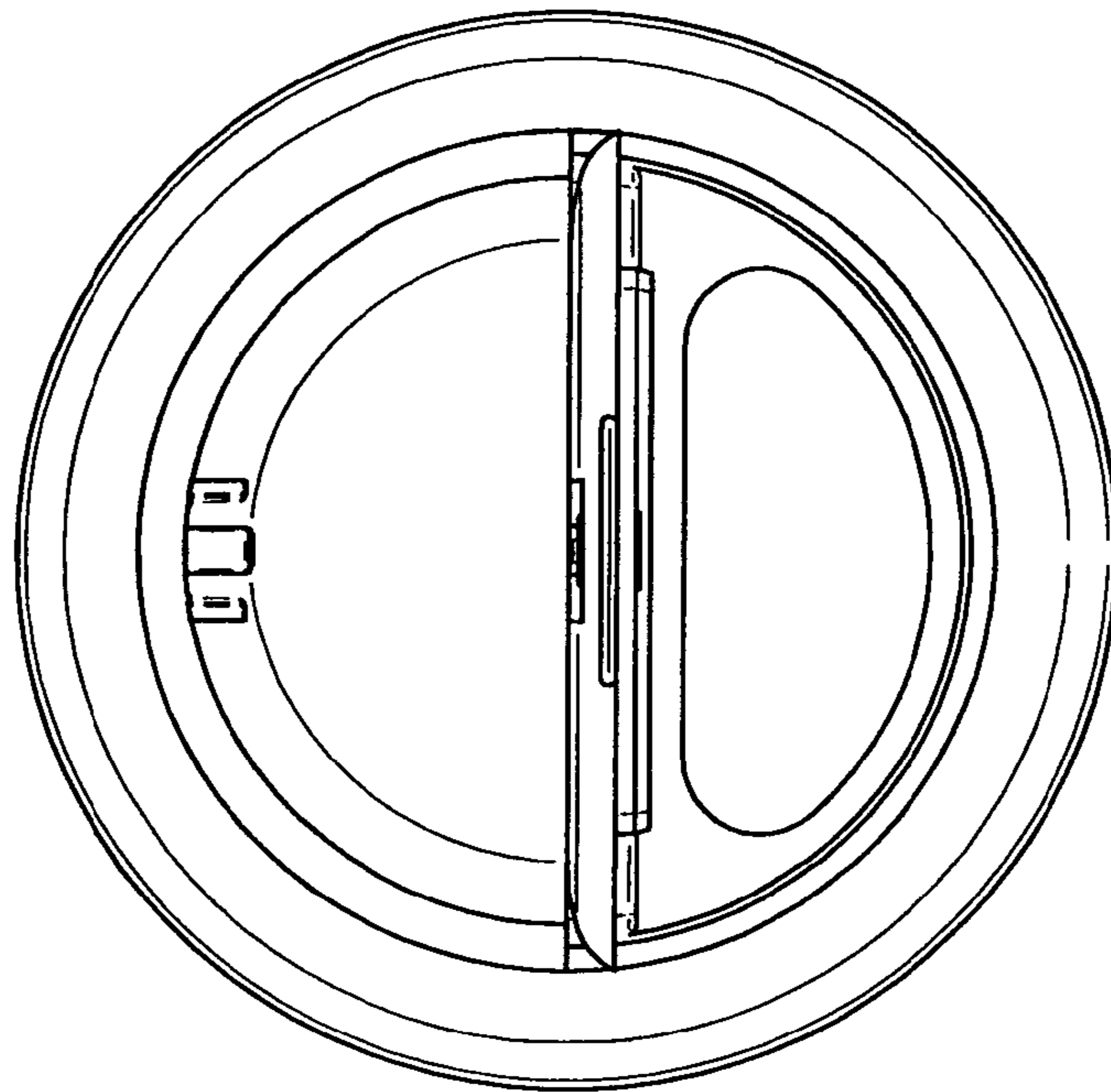


Fig. 6

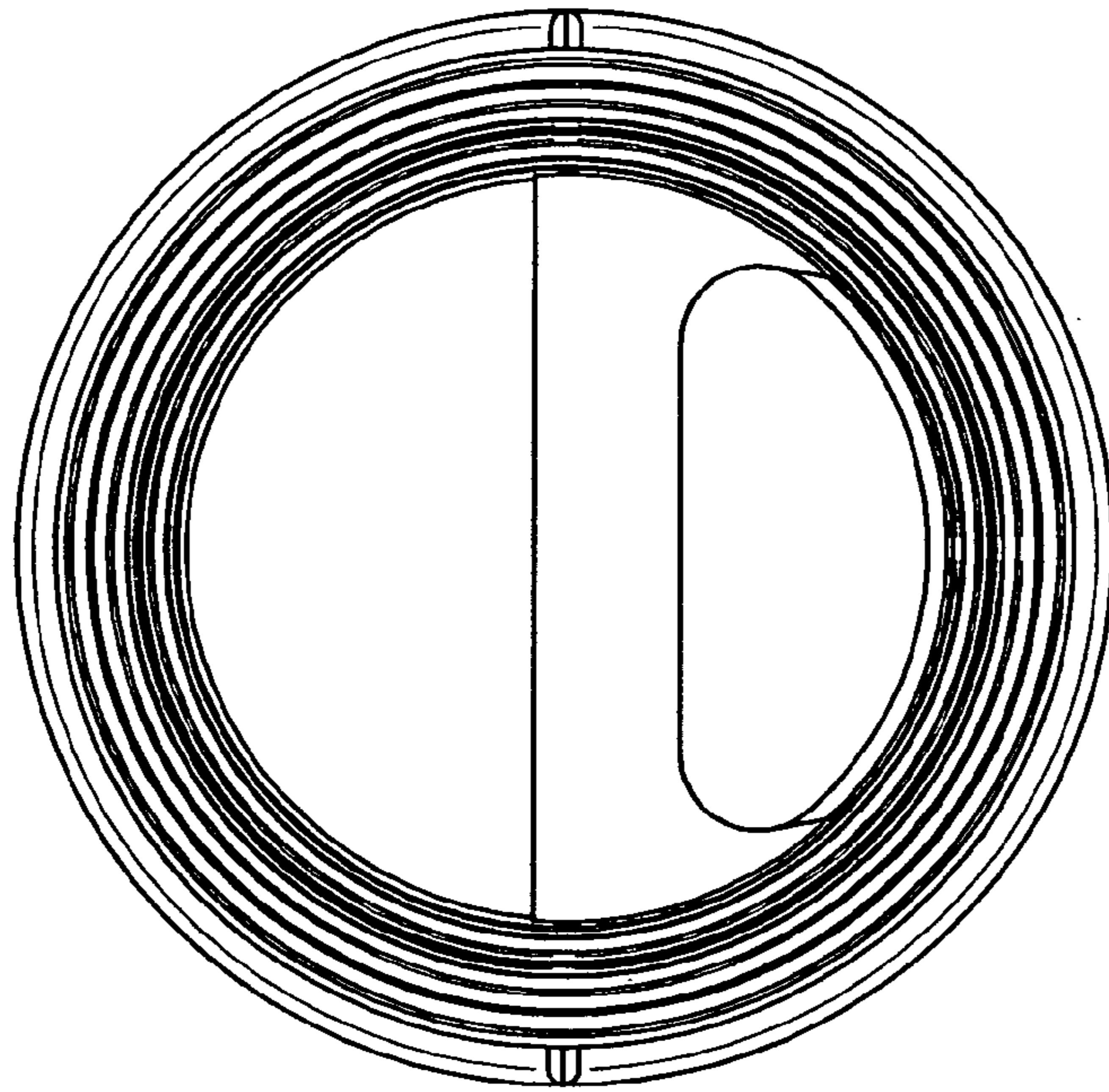


Fig. 7

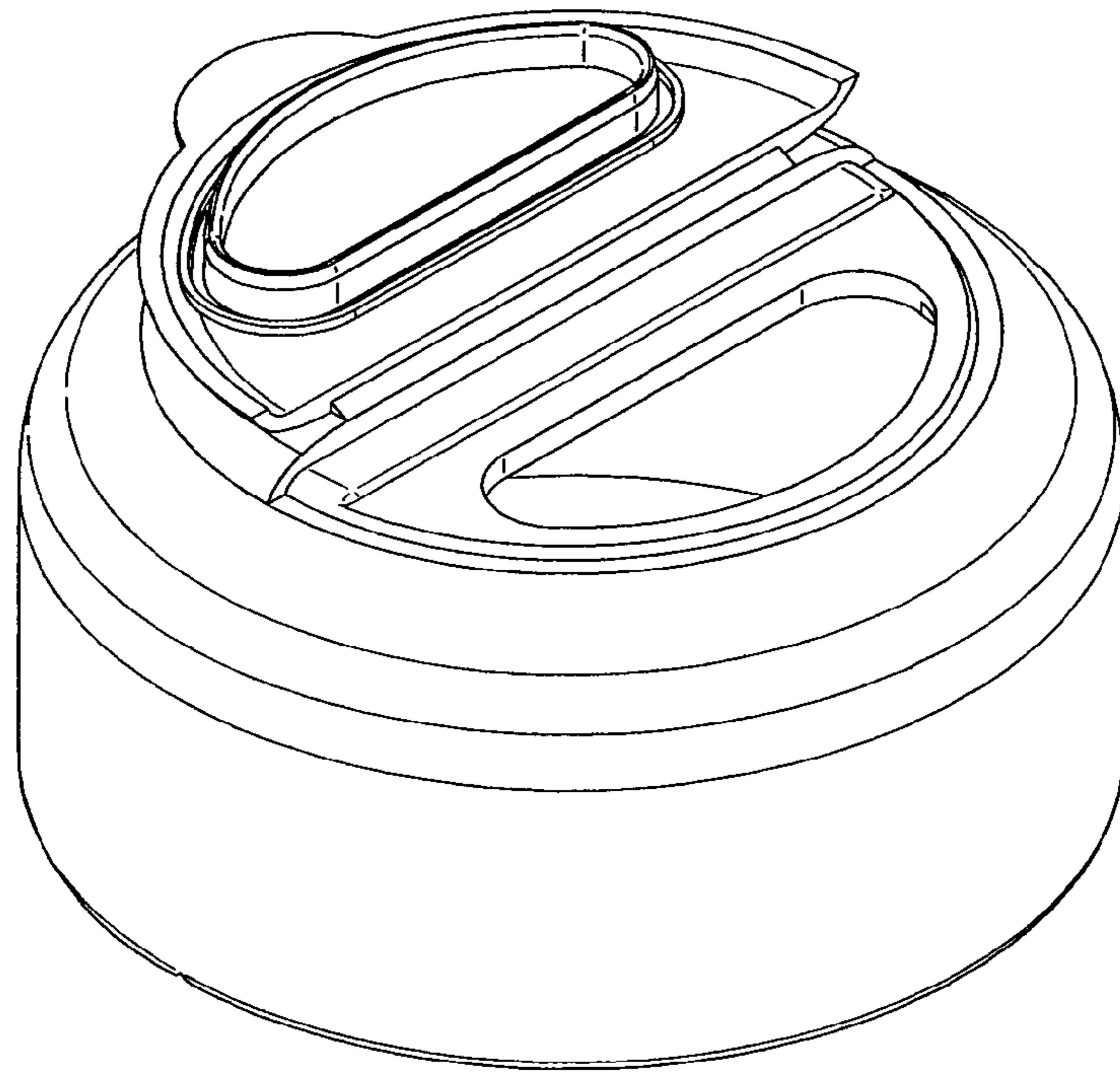


Fig. 8

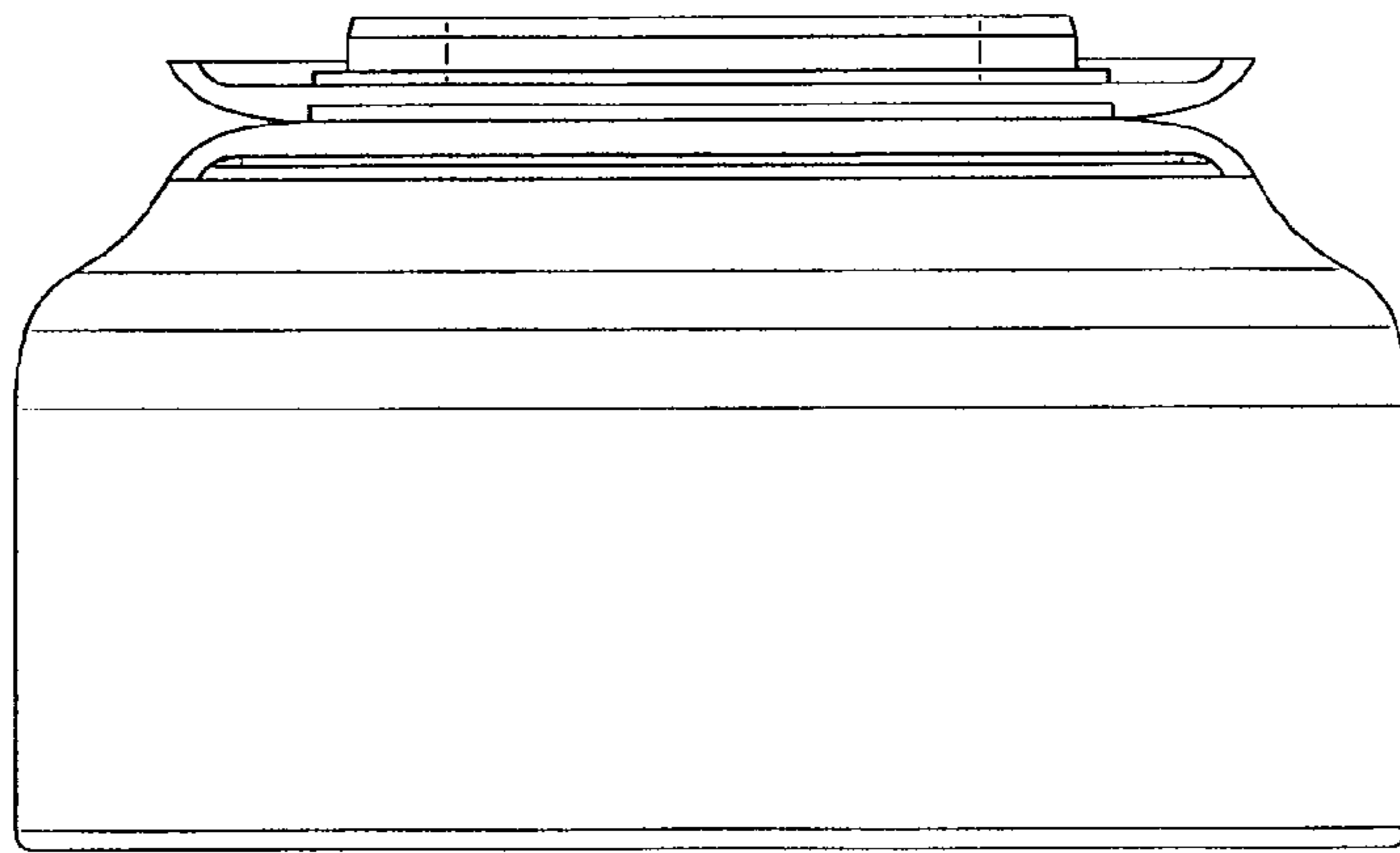


Fig. 9

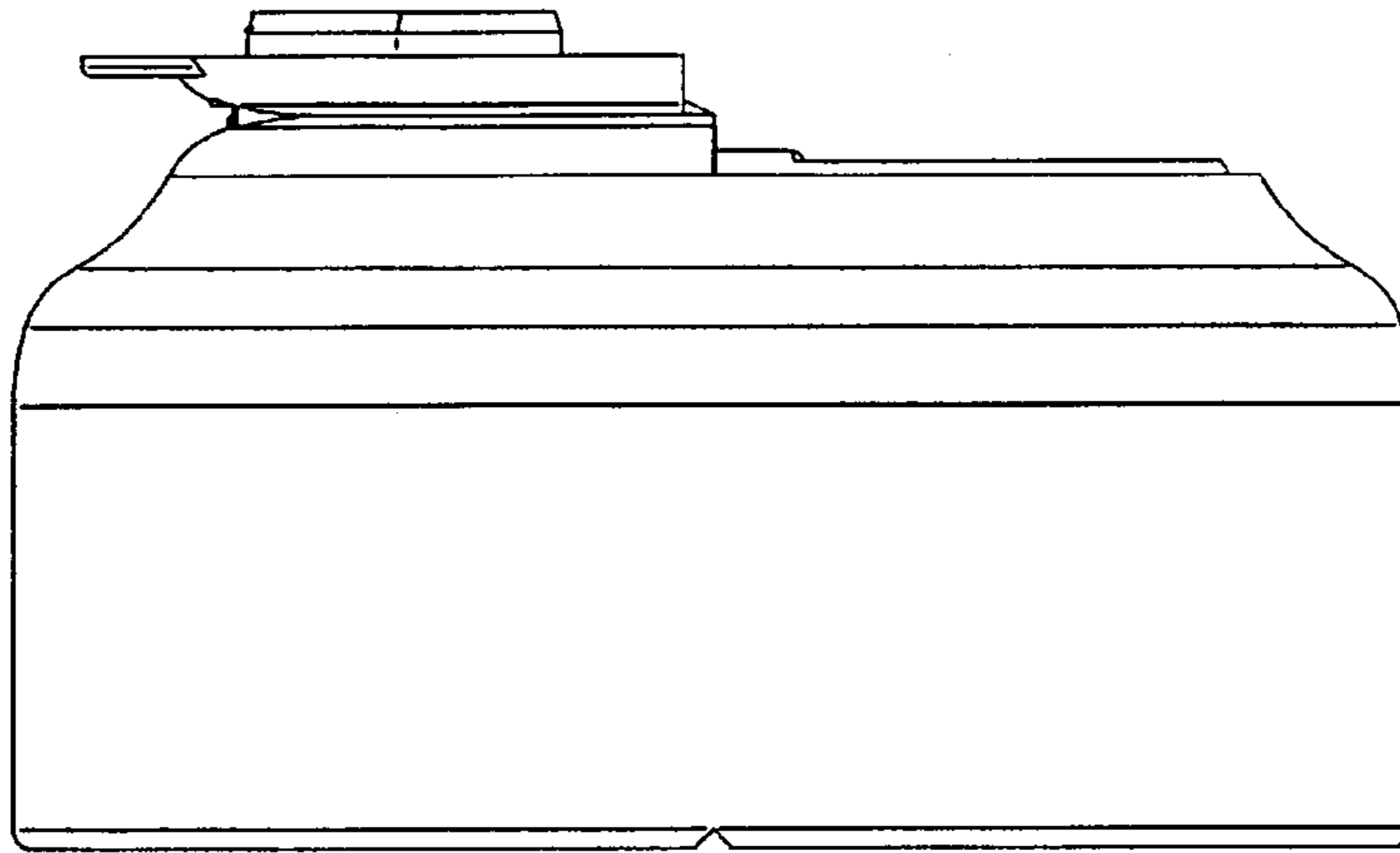


Fig. 10

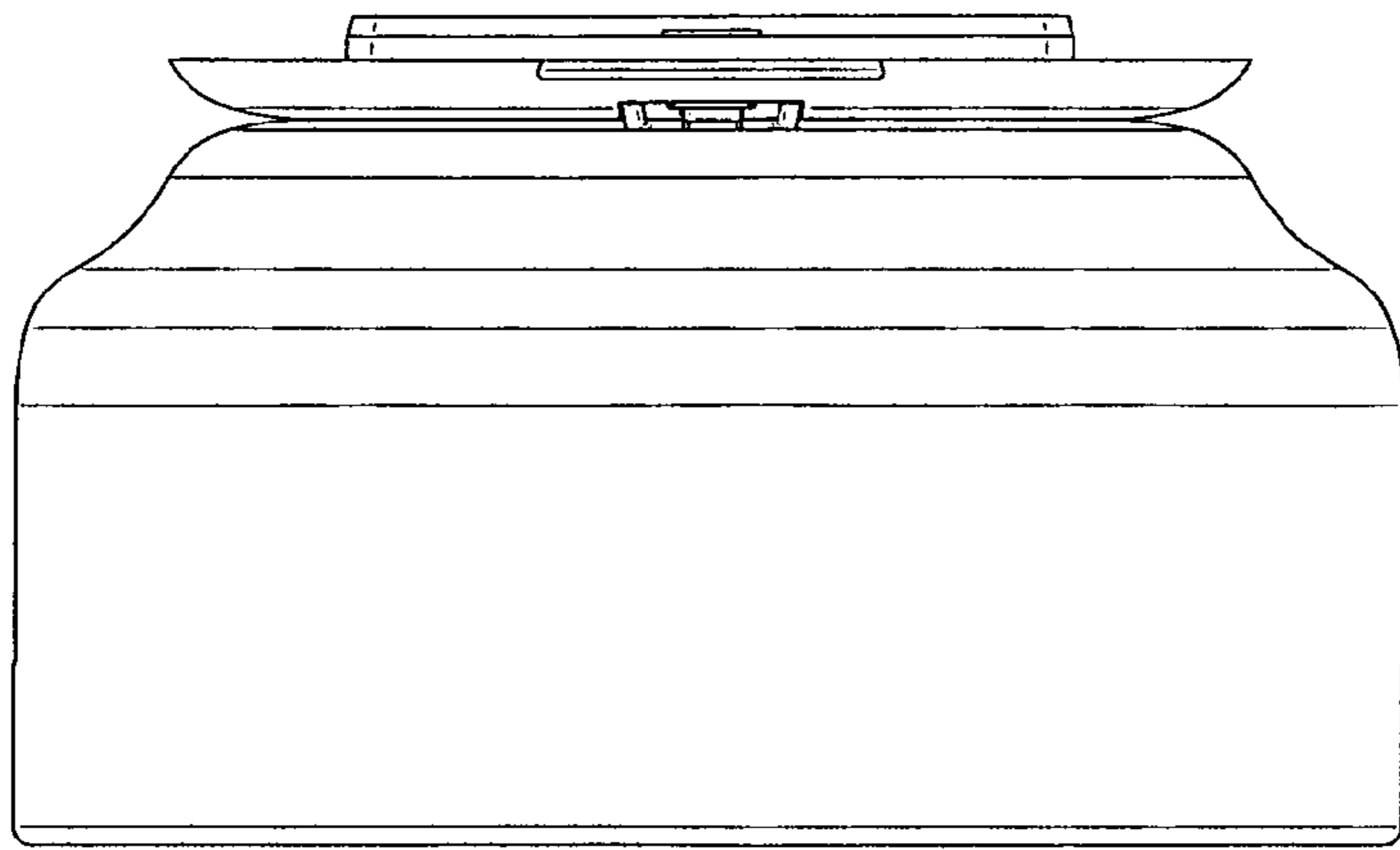


Fig. 11

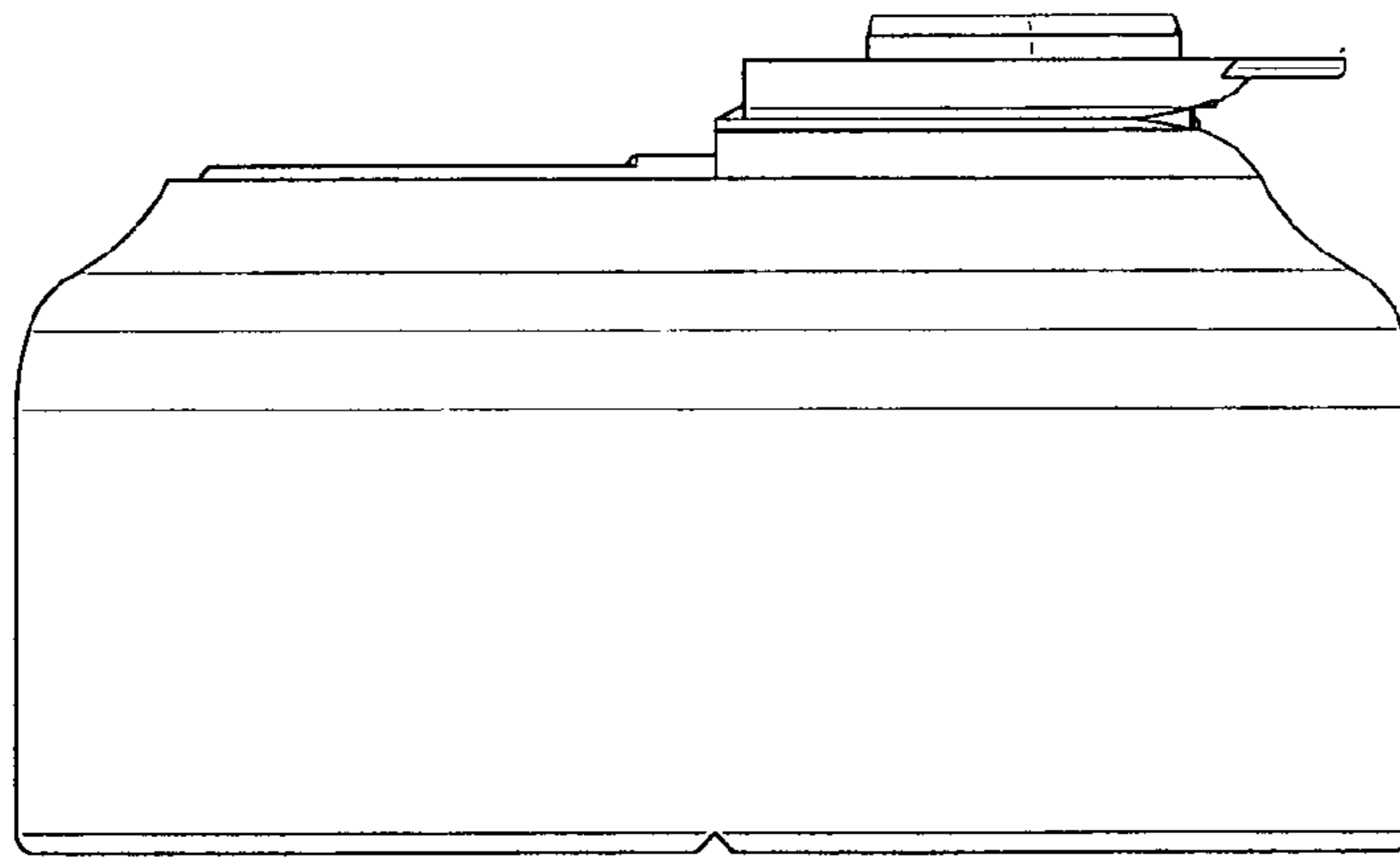


Fig. 12

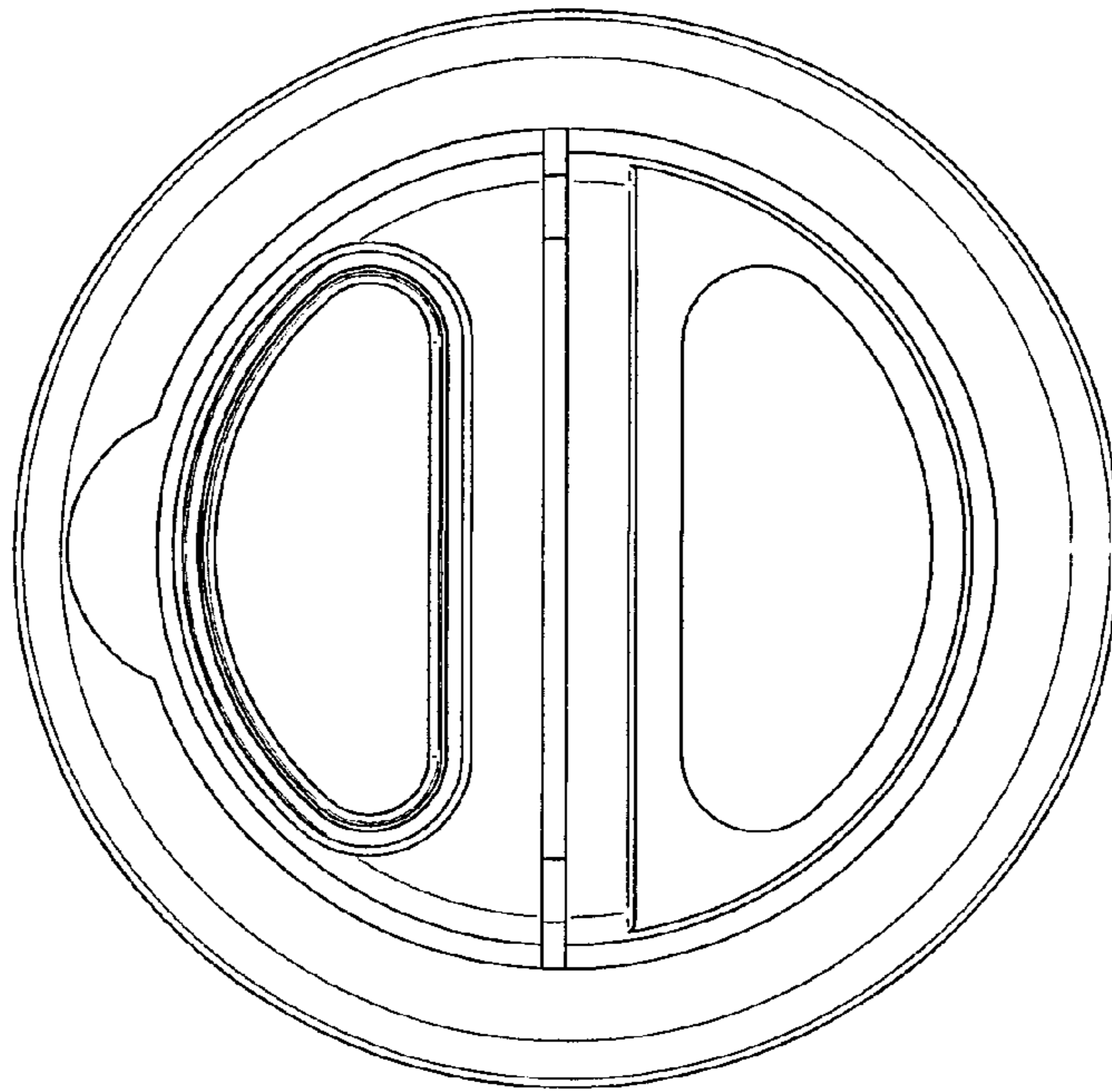


Fig. 13

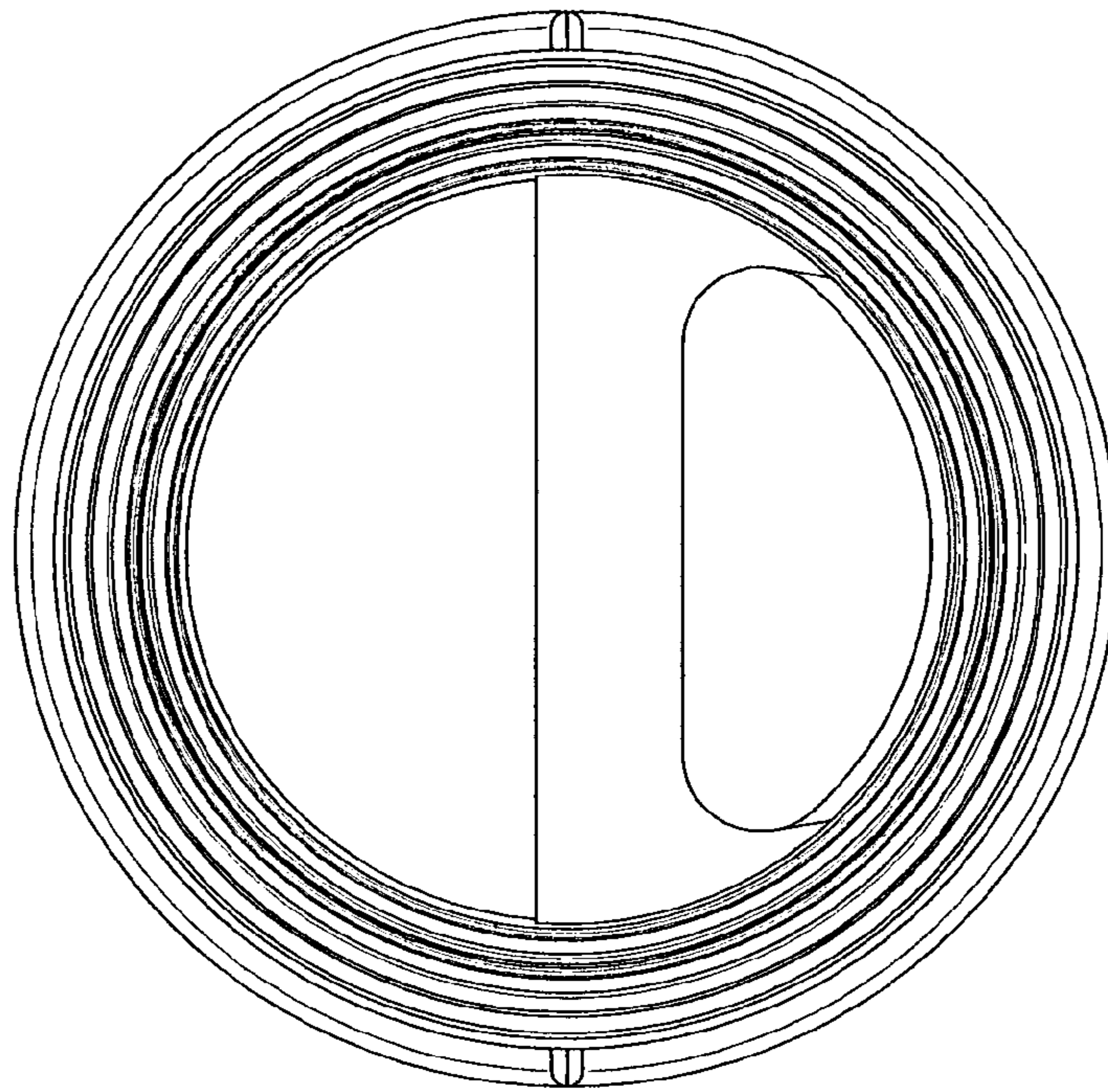


Fig. 14

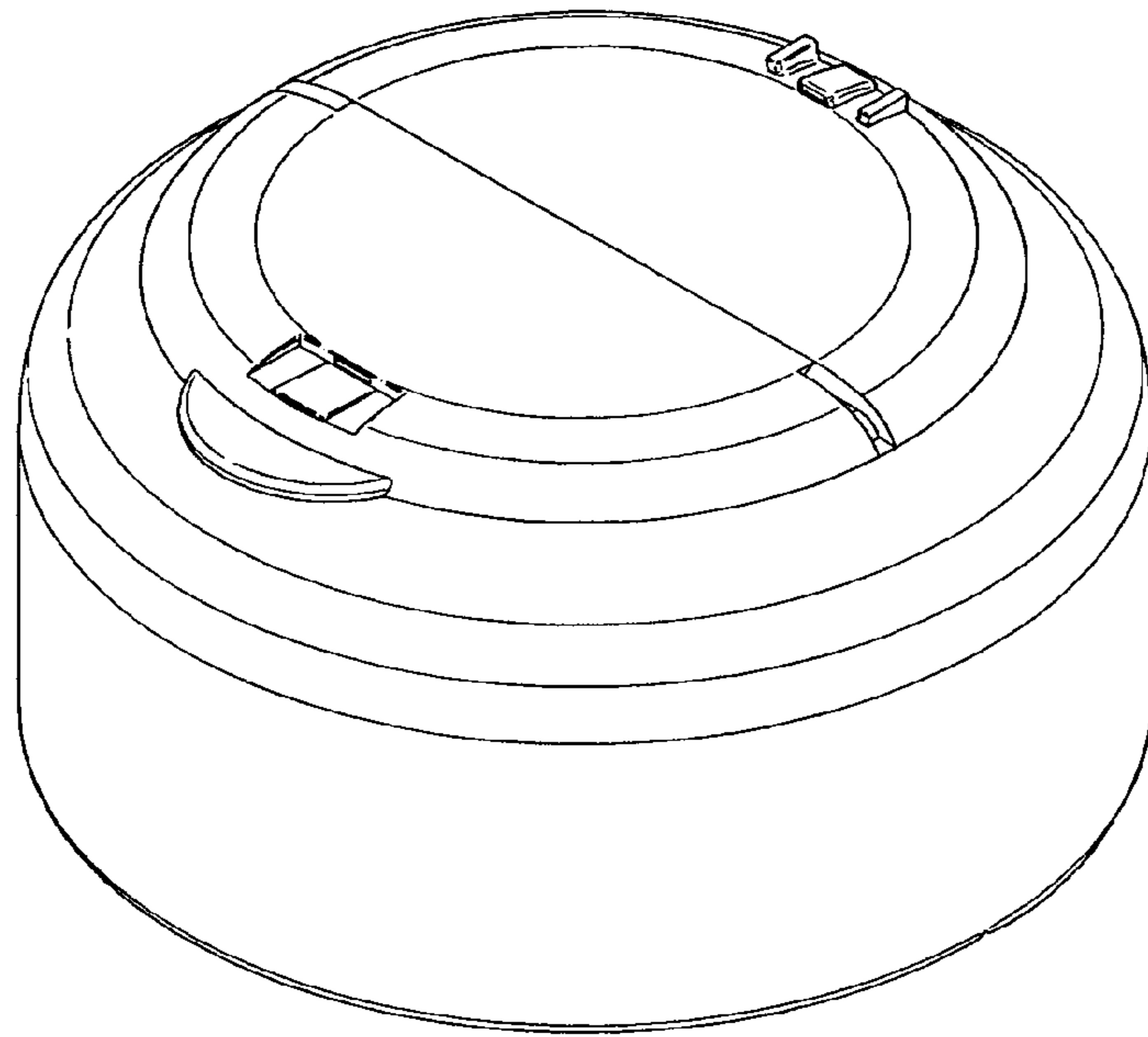


Fig. 15

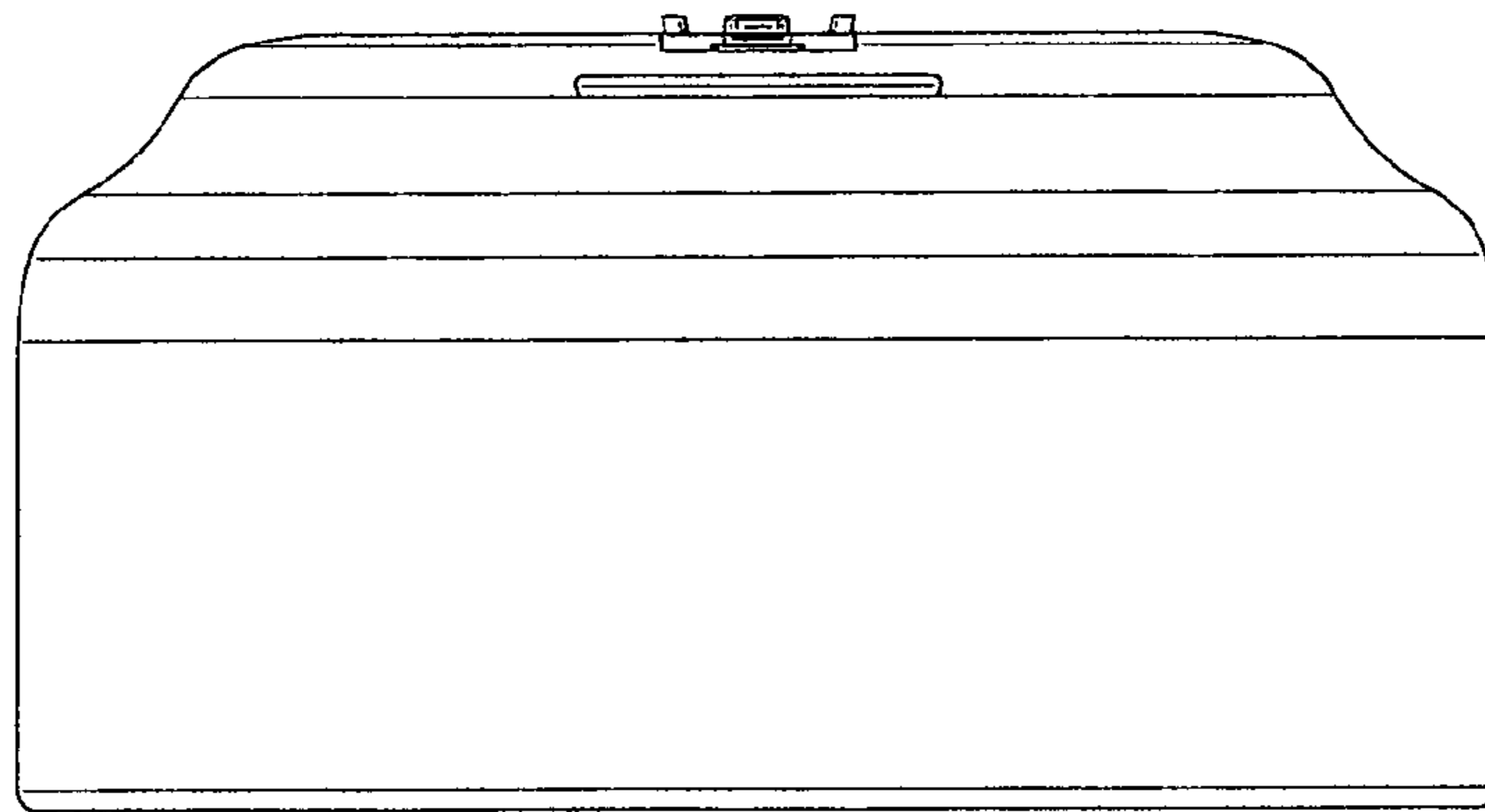


Fig. 16

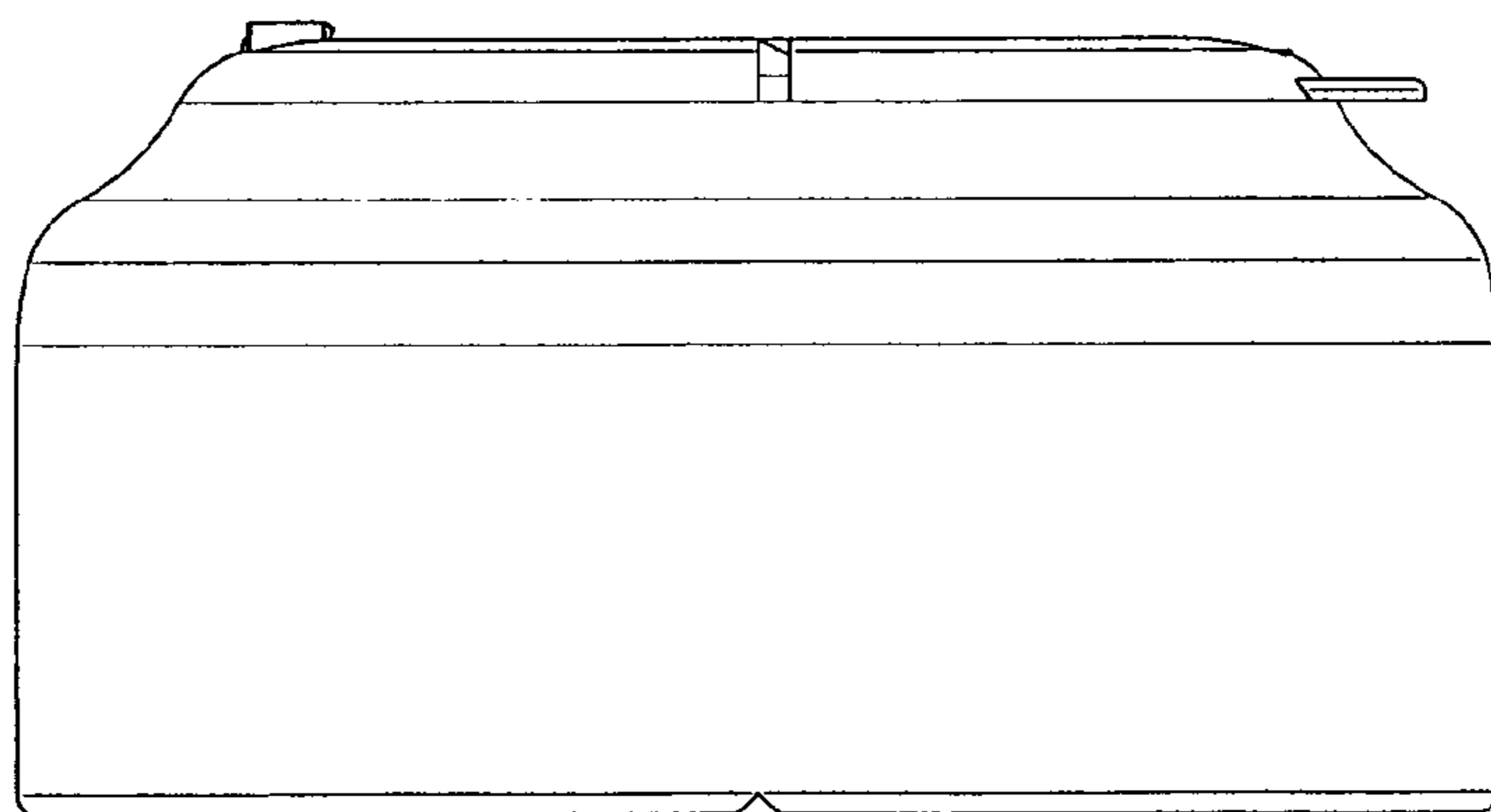


Fig. 17

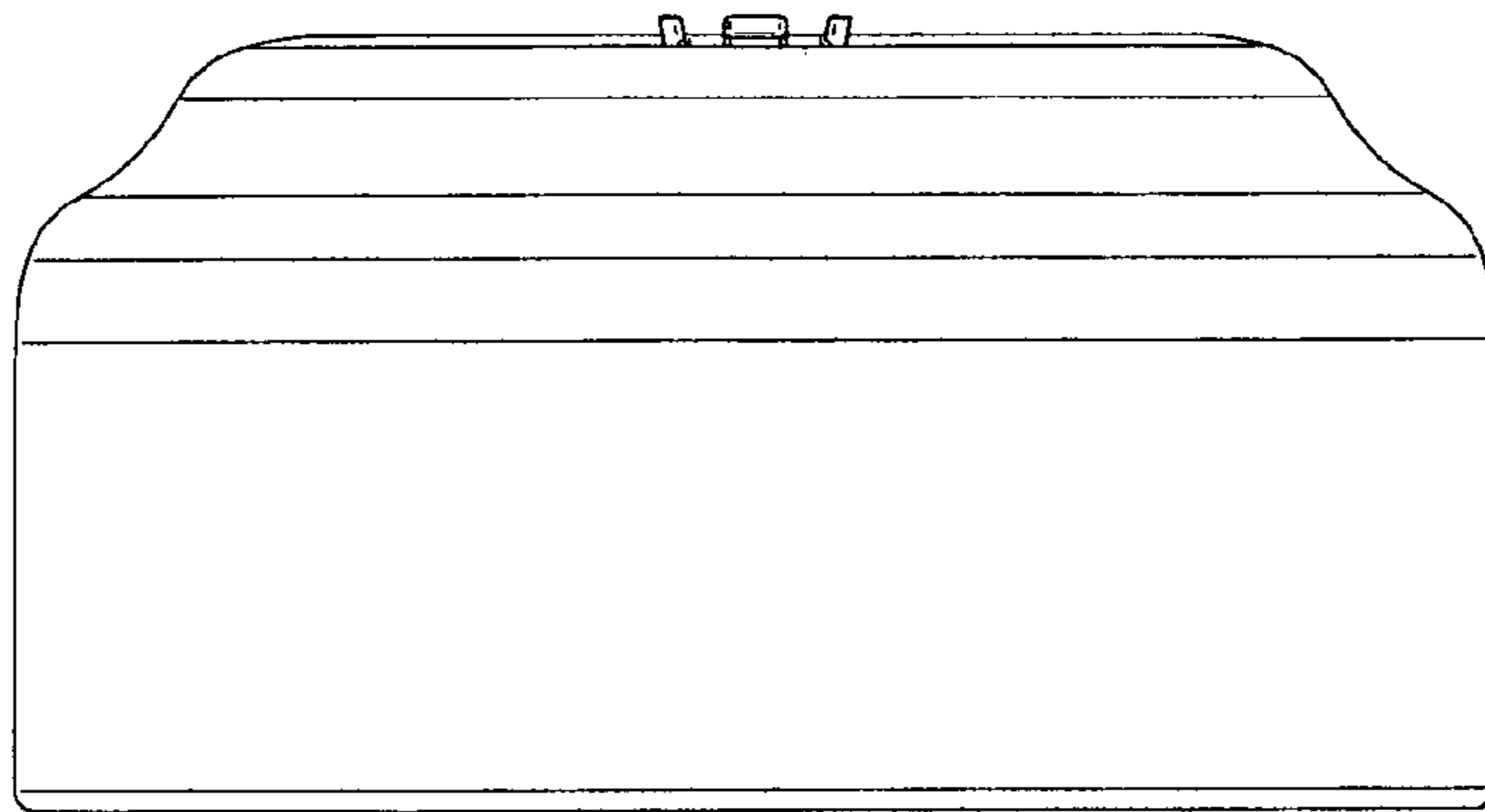


Fig. 18

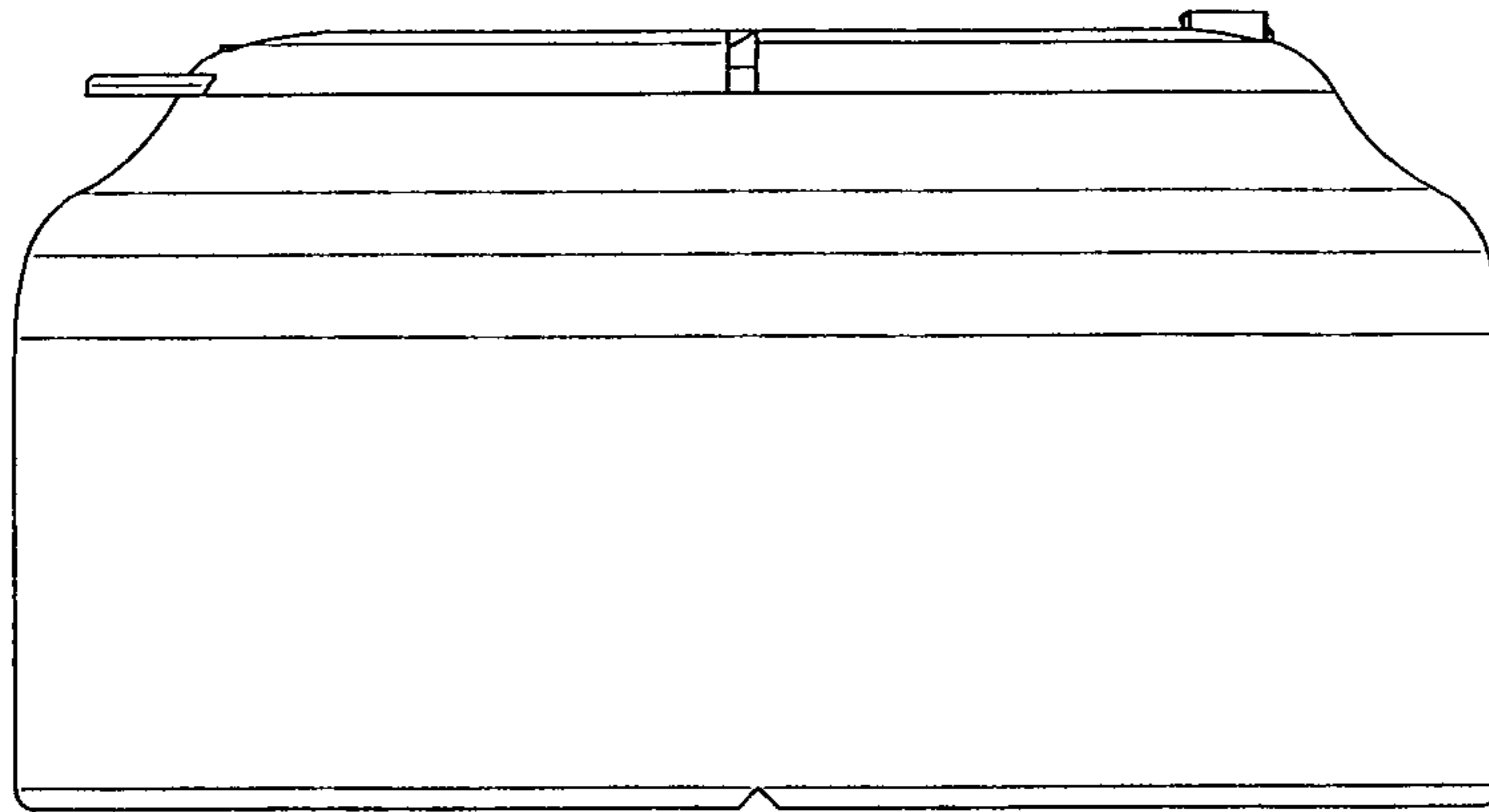


Fig. 19

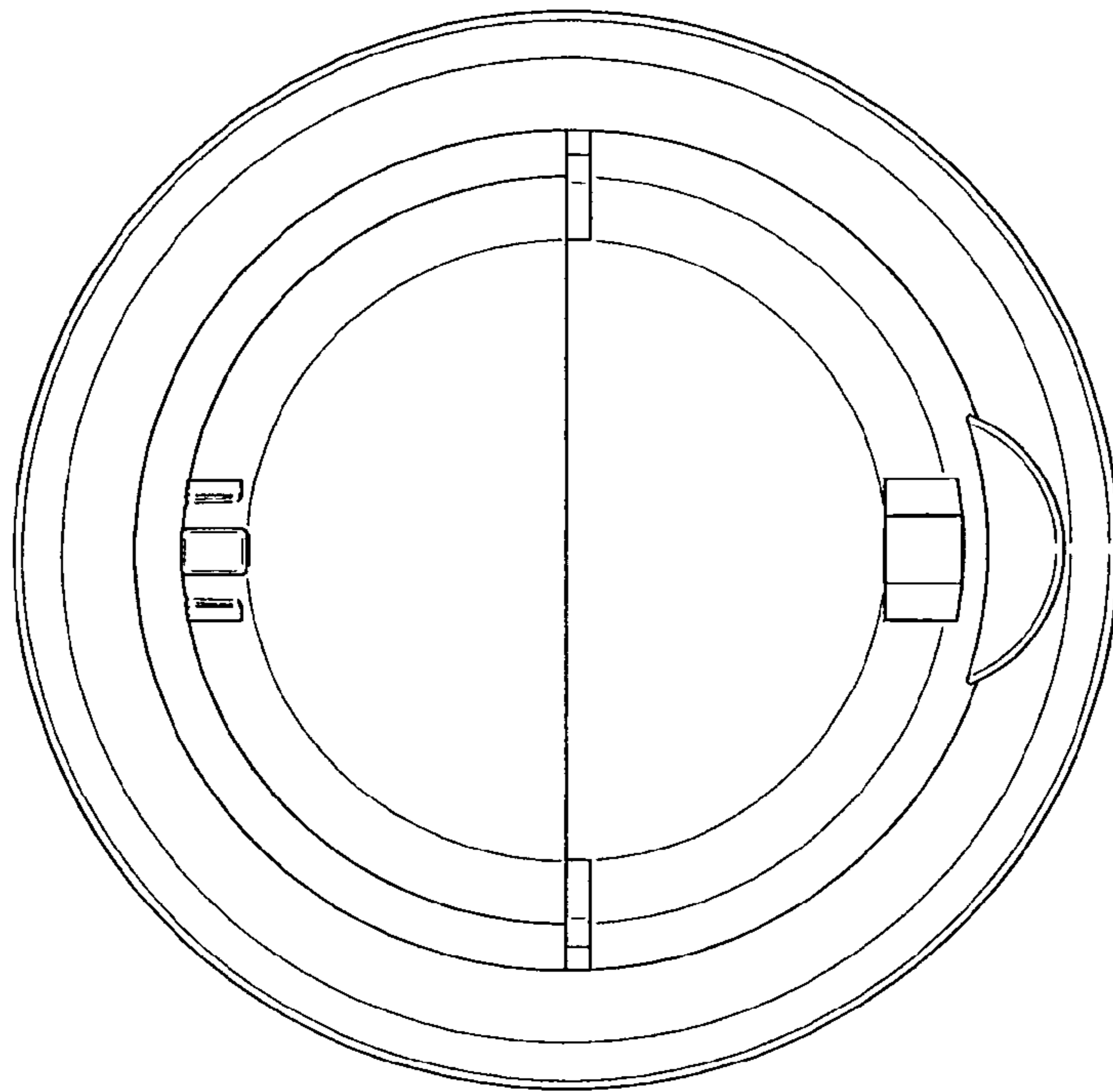


Fig. 20

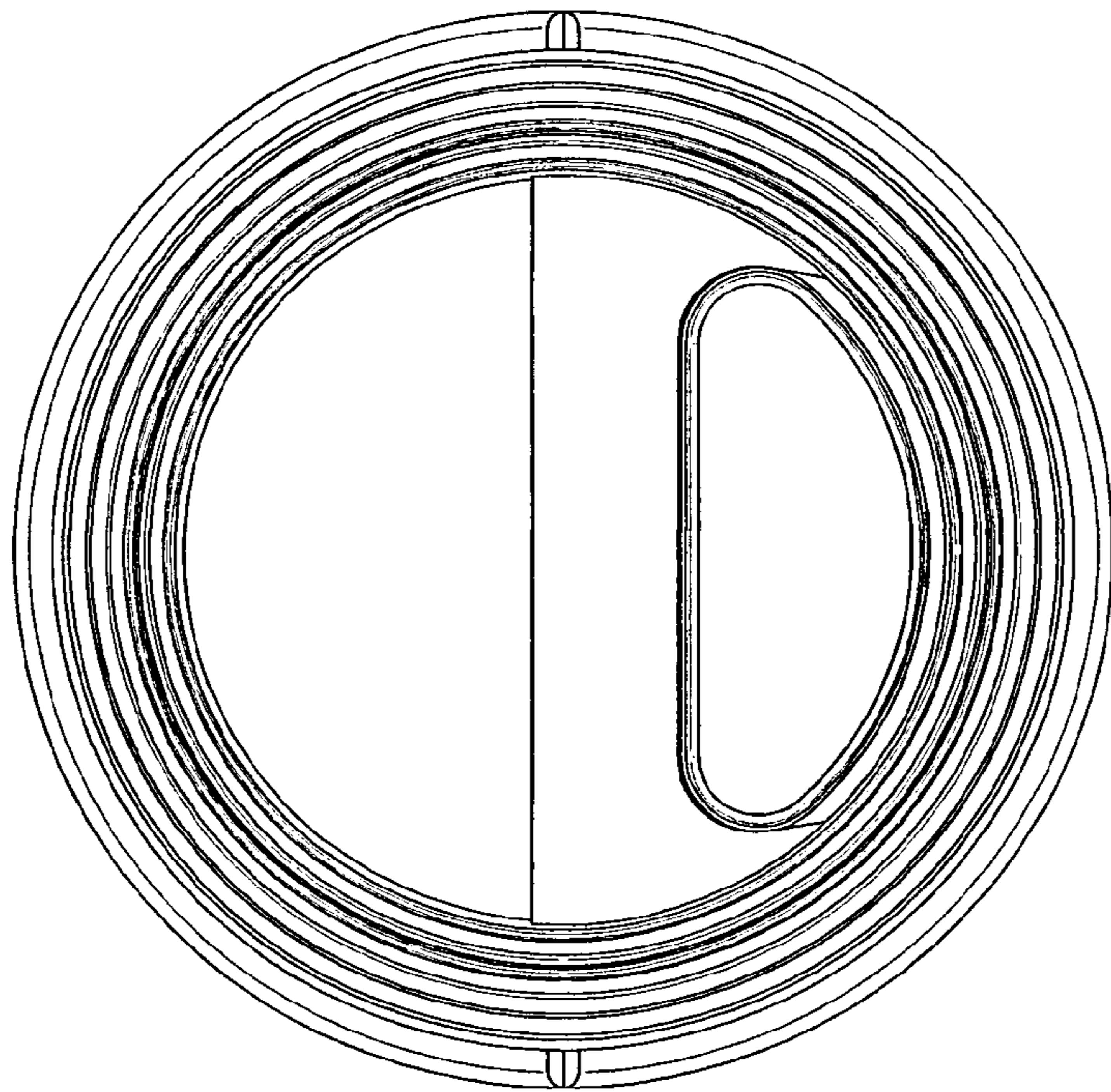


Fig. 21