



US00D664035S

(12) **United States Design Patent**
Hu et al.

(10) **Patent No.:** **US D664,035 S**
(45) **Date of Patent:** **** Jul. 24, 2012**

(54) **CAP FOR WATERPROOF CONTAINER**

(75) Inventors: **Yung-Lung Hu**, Hsinchu (TW);
Thomas Y. S. Shen, Hsinchu (TW)

(73) Assignee: **Apex Biotechnology Corp.**, Hsinchu
(TW)

(**) Term: **14 Years**

(21) Appl. No.: **29/383,805**

(22) Filed: **Jan. 21, 2011**

(30) **Foreign Application Priority Data**

Jul. 21, 2010 (TW) 99303580

(51) **LOC (9) Cl.** **09-07**

(52) **U.S. Cl.** **D9/435; D9/454**

(58) **Field of Classification Search** D9/454,
D9/453, 449, 447, 442, 440, 435; D7/392.1;
222/556, 521, 494, 492; 220/837, 835, 820,
220/811, 810, 375, 260, 254.7, 254.3; 215/322,
215/321, 306, 305, 237, 235; 206/540, 539,
206/538, 216

See application file for complete search history.

(56) **References Cited**

U.S. PATENT DOCUMENTS

D475,923 S *	6/2003	Renz	D9/446
D517,916 S *	3/2006	Satt	D9/449
D564,356 S *	3/2008	Nickleberry	D9/454
D576,875 S *	9/2008	Steiger et al.	D9/449
D610,006 S *	2/2010	Ortell	D9/454

* cited by examiner

Primary Examiner — Susan Bennett Hattan

(74) *Attorney, Agent, or Firm* — Liu & Liu

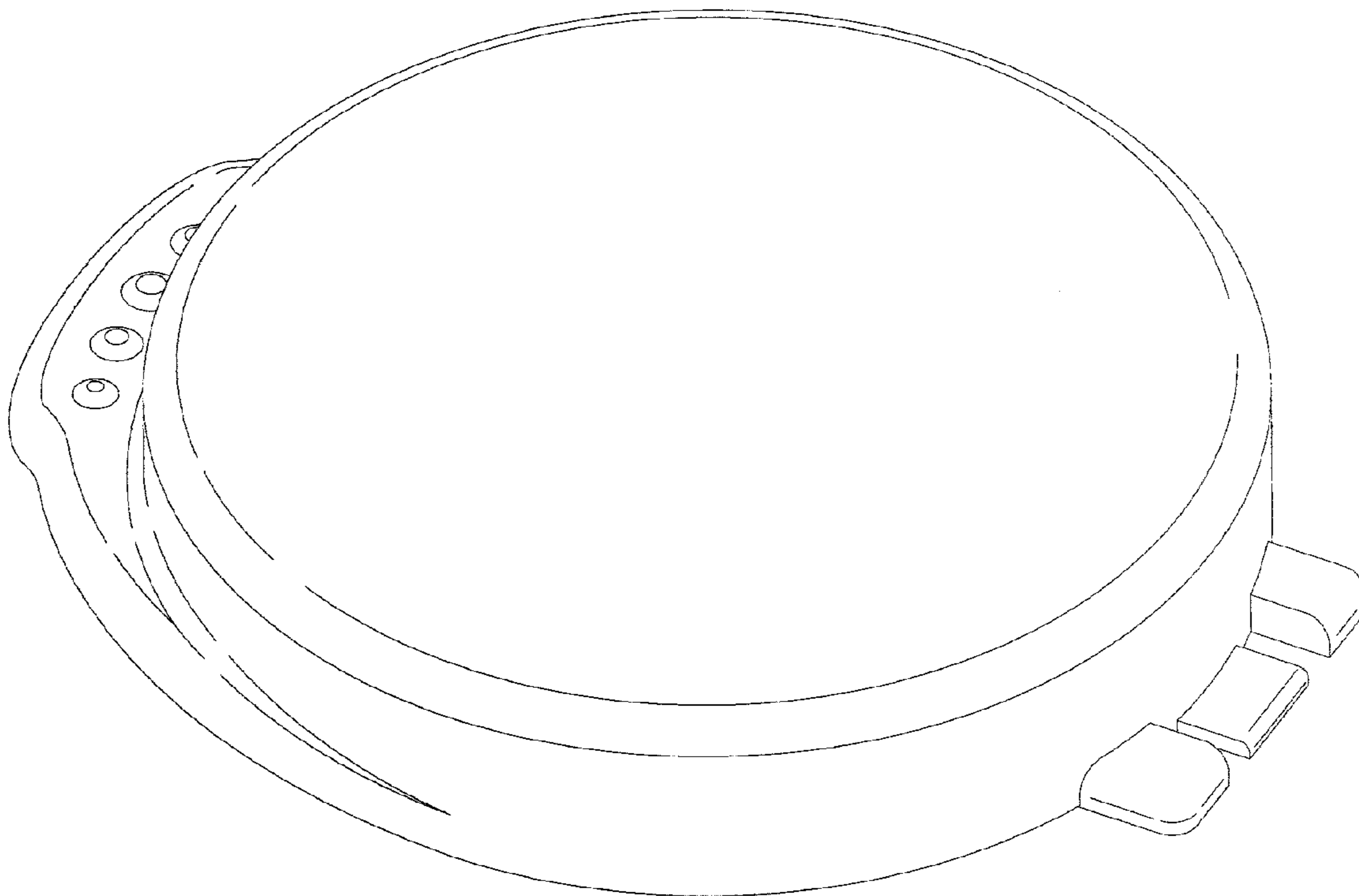
(57) **CLAIM**

The ornamental design for a cap for waterproof container, as shown and described.

DESCRIPTION

FIG. 1 is a perspective view of a cap for waterproof container showing our new design;
FIG. 2 is another perspective view thereof;
FIG. 3 is a front view thereof;
FIG. 4 is a rear view thereof;
FIG. 5 is a left side view thereof;
FIG. 6 is a top plan view thereof; and,
FIG. 7 is a bottom plan view thereof.

1 Claim, 7 Drawing Sheets



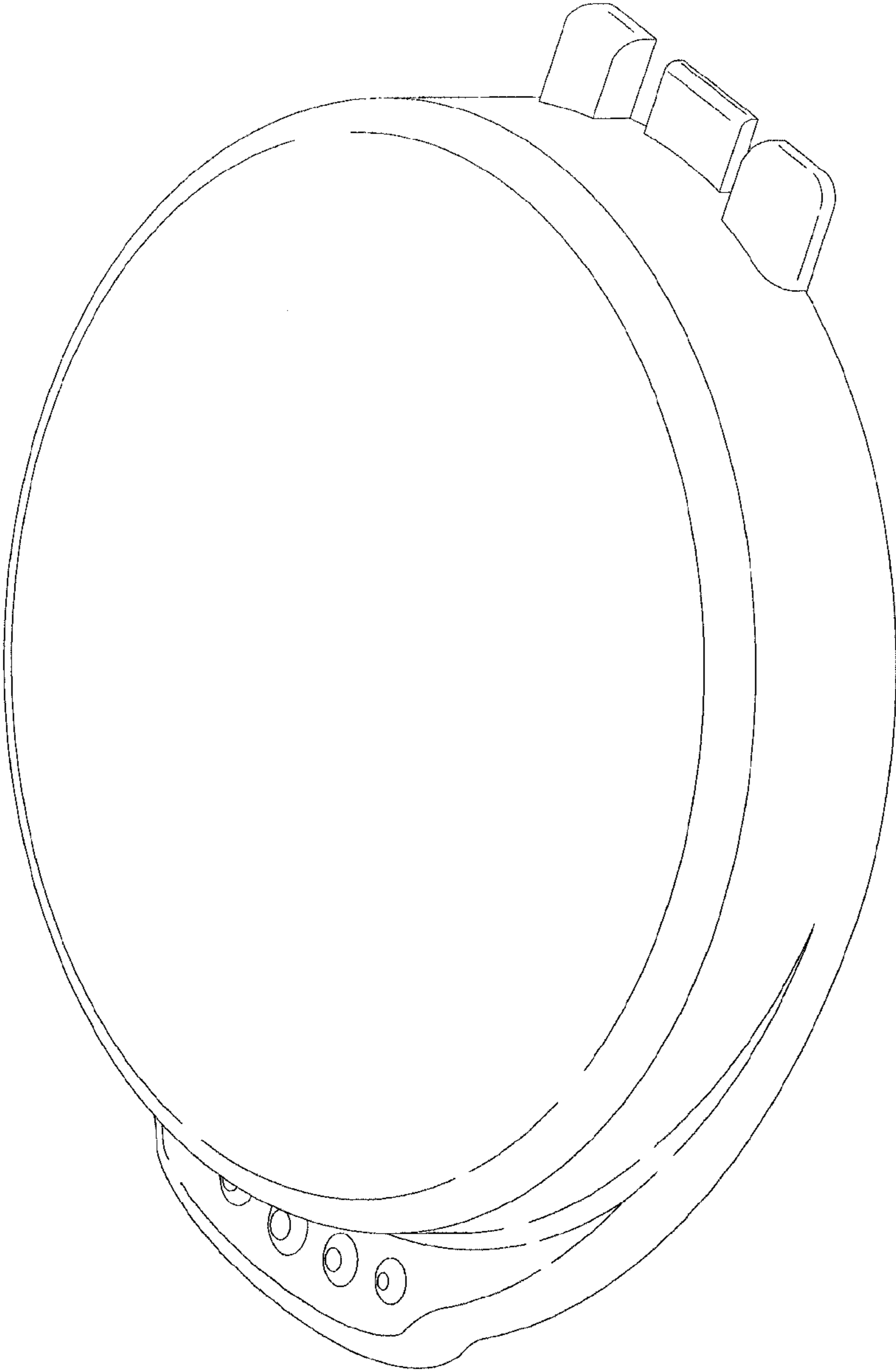


FIG. 1

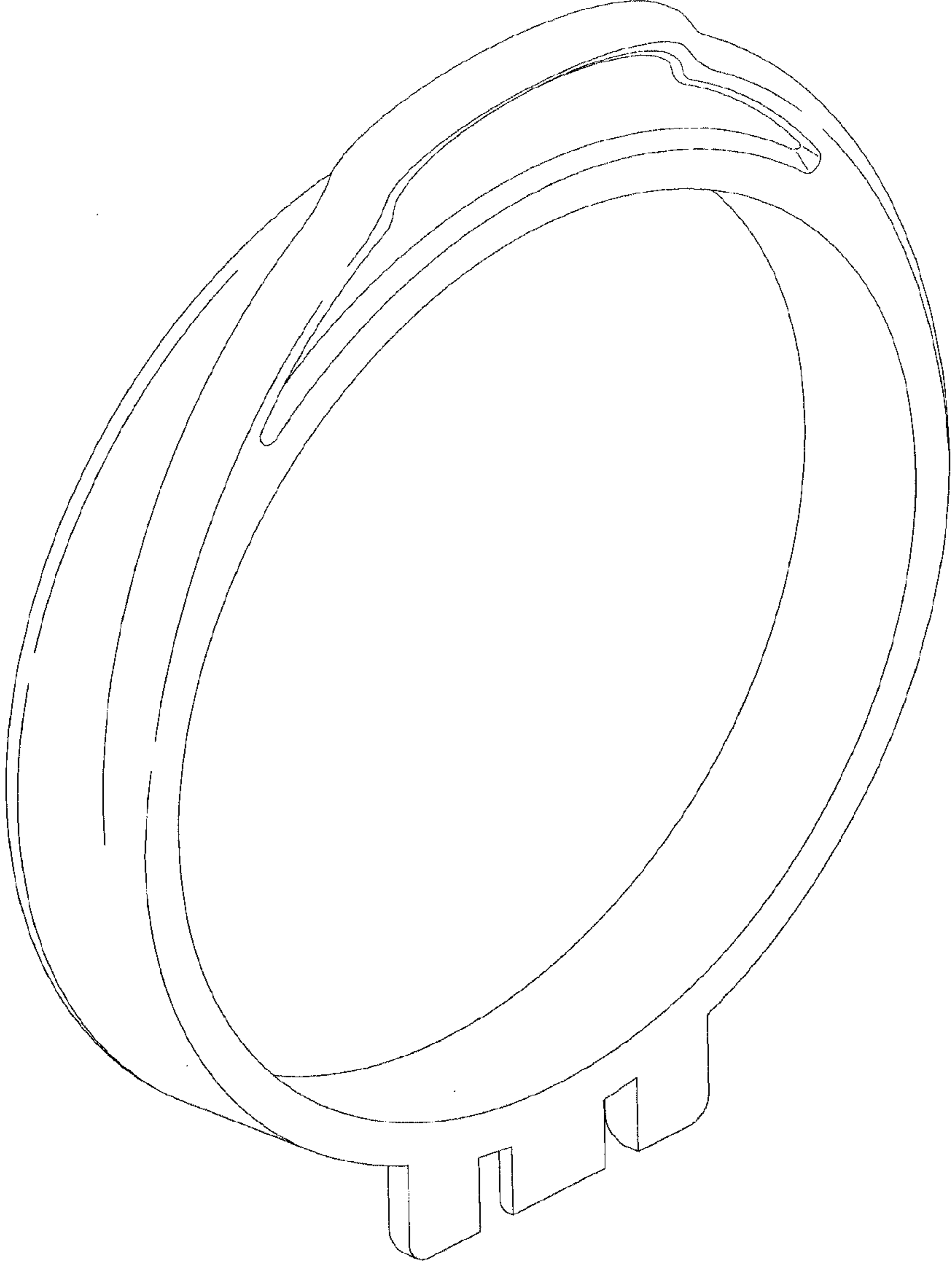


FIG. 2

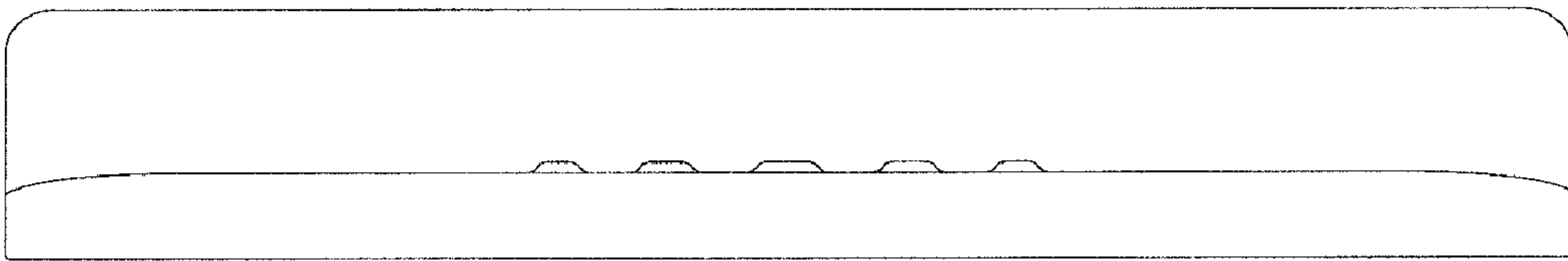


FIG. 3

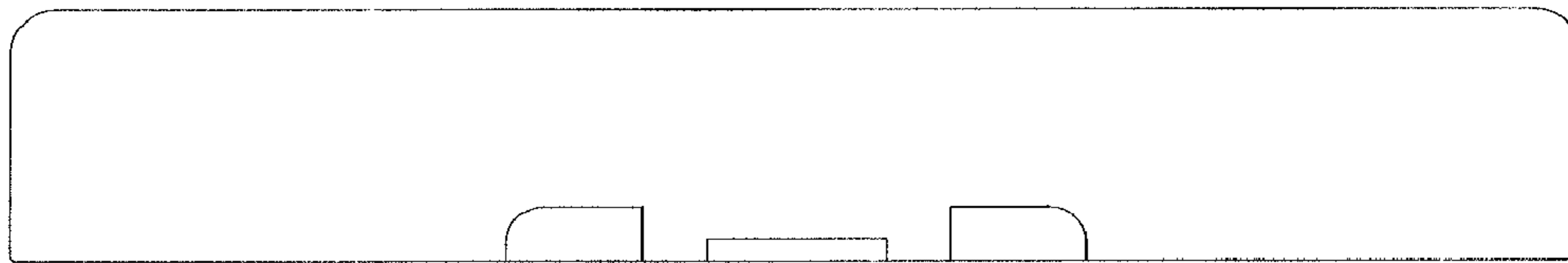


FIG. 4

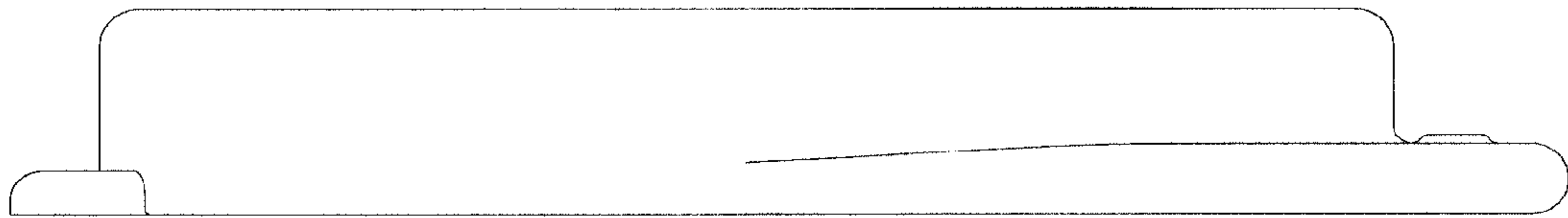


FIG. 5

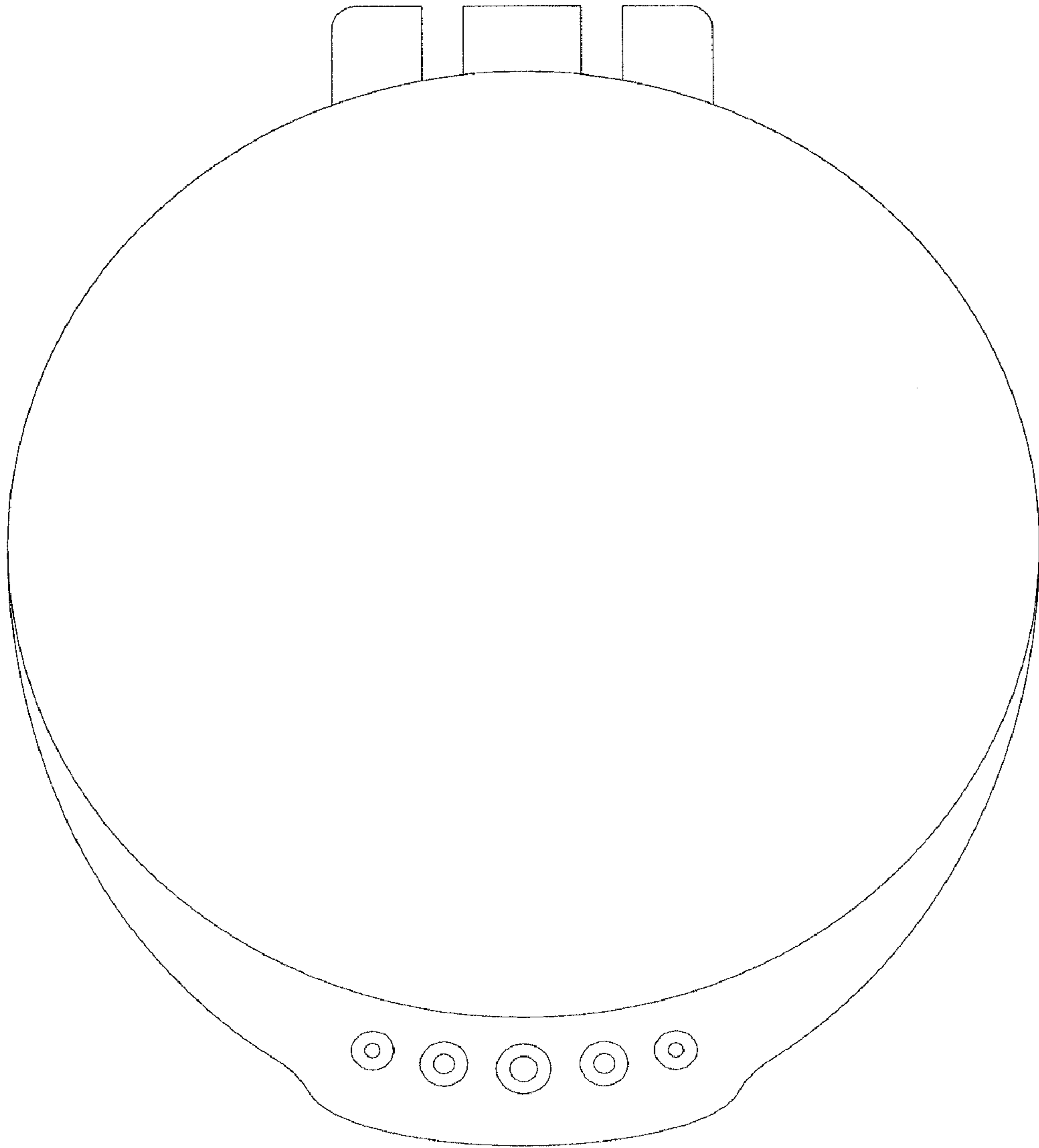


FIG. 6

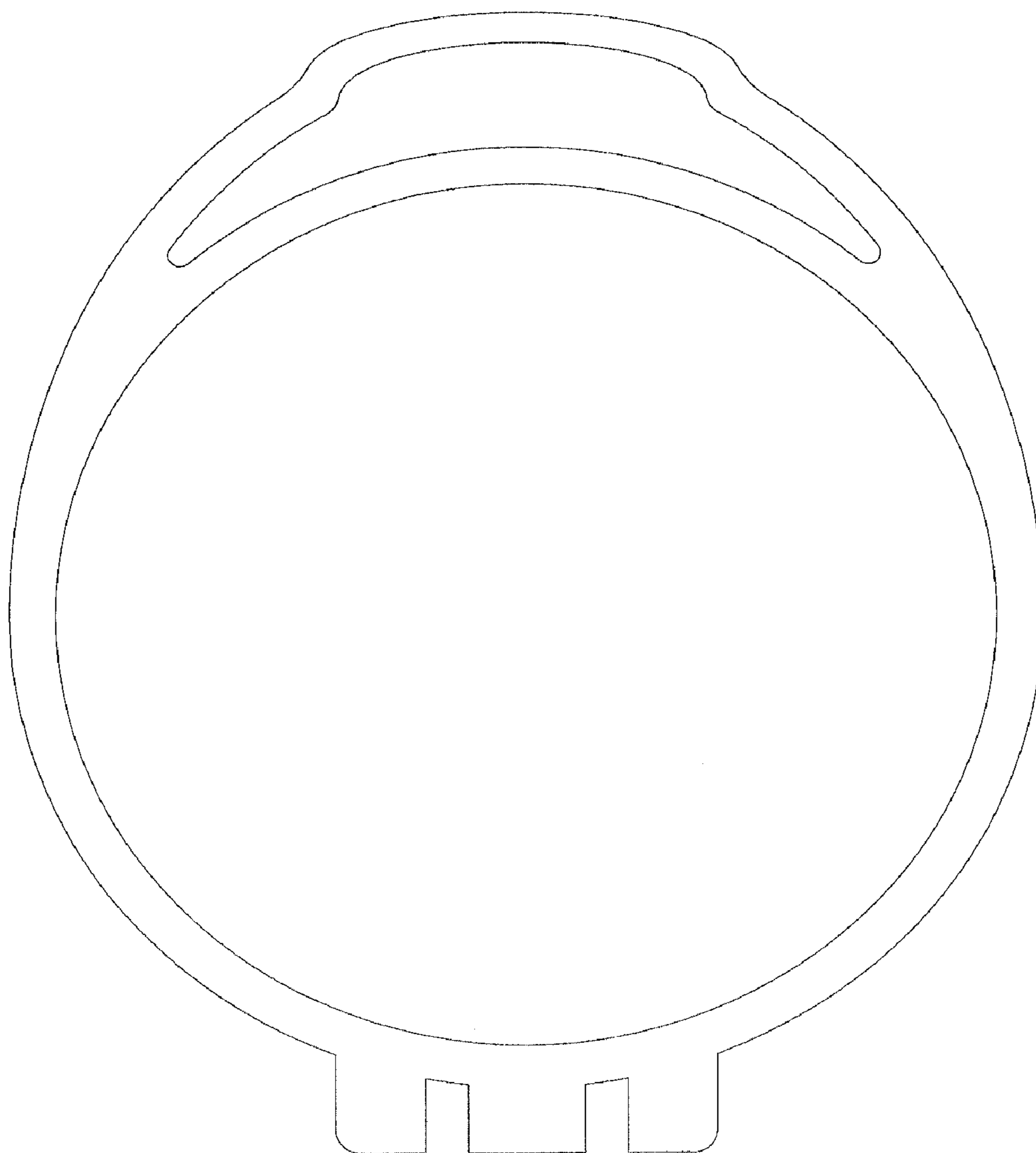


FIG. 7