

US00D664033S

(12) **United States Design Patent**
Liang et al.

(10) **Patent No.:** **US D664,033 S**
(45) **Date of Patent:** **** Jul. 24, 2012**

(54) **CIRCULAR FOOD CONTAINER**

(76) Inventors: **Jian Wen Liang**, Brooklyn, NY (US);
Shen Xiong Wu, Brooklyn, NY (US)

(**) Term: **14 Years**

(21) Appl. No.: **29/379,807**

(22) Filed: **Nov. 24, 2010**

(51) **LOC (9) Cl.** **09-03**

(52) **U.S. Cl.** **D9/428; D9/429**

(58) **Field of Classification Search** D9/414,
D9/416, 418, 423, 425, 428-431, 454, 542;
D7/538, 540, 542, 550.1, 565, 584, 602, 629;
206/501-509, 512; 220/4.23-4.24, 23.86,
220/780-781, 791-793, 835, 839; 428/34.1,
428/35.7, 36.5-36.8

See application file for complete search history.

(56) **References Cited**

U.S. PATENT DOCUMENTS

D371,938 S *	7/1996	Davis	D7/540
D375,261 S *	11/1996	Fiori	D9/428
D391,850 S *	3/1998	Krupa et al.	D9/429
D475,621 S *	6/2003	Buchalski et al.	D9/428
D494,062 S *	8/2004	Willis	D9/428
D545,627 S *	7/2007	Chatterton et al.	D7/538
D549,050 S *	8/2007	Spencer et al.	D7/538
D581,781 S *	12/2008	Enriquez	D9/429
D594,324 S *	6/2009	Colacitti	D9/425
D594,326 S *	6/2009	Colacitti	D9/425
D606,368 S *	12/2009	Wu	D7/629
D634,618 S *	3/2011	Colacitti	D9/425
D649,448 S *	11/2011	Wu	D9/429

* cited by examiner

Primary Examiner — Thomas Johannes

(74) *Attorney, Agent, or Firm* — Law Offices of Albert Wai-Kit Chan PLLC

(57) **CLAIM**

We claim the ornamental design for a circular food container, substantially as shown and described.

DESCRIPTION

FIG. 1 is a top perspective view of a circular food container showing our new design with the lid attached to the container; FIG. 2 is a top perspective view thereof with the lid separated from the container; FIG. 3 is another top perspective view thereof with the lid attached to the container; FIG. 4 is a side perspective view thereof; FIG. 5 is another side perspective view thereof with the lid separated from the container; FIG. 6 is a bottom perspective view thereof with the lid attached to the container; FIG. 7 is a bottom aerial view thereof with the lid separated from the container; FIG. 8 is a bottom plan view thereof; FIG. 9 is a side elevation thereof with the lid attached to the container; FIG. 10 is a top plan view thereof; FIG. 11 is a side elevation view thereof with the lid separated from the container; and, FIG. 12 is a cross-sectional view thereof with the lid attached to the container taken in the direction of line 12-12 as shown in FIG. 3.

The stipple shading shown in the drawings represents claimed texture.

1 Claim, 12 Drawing Sheets

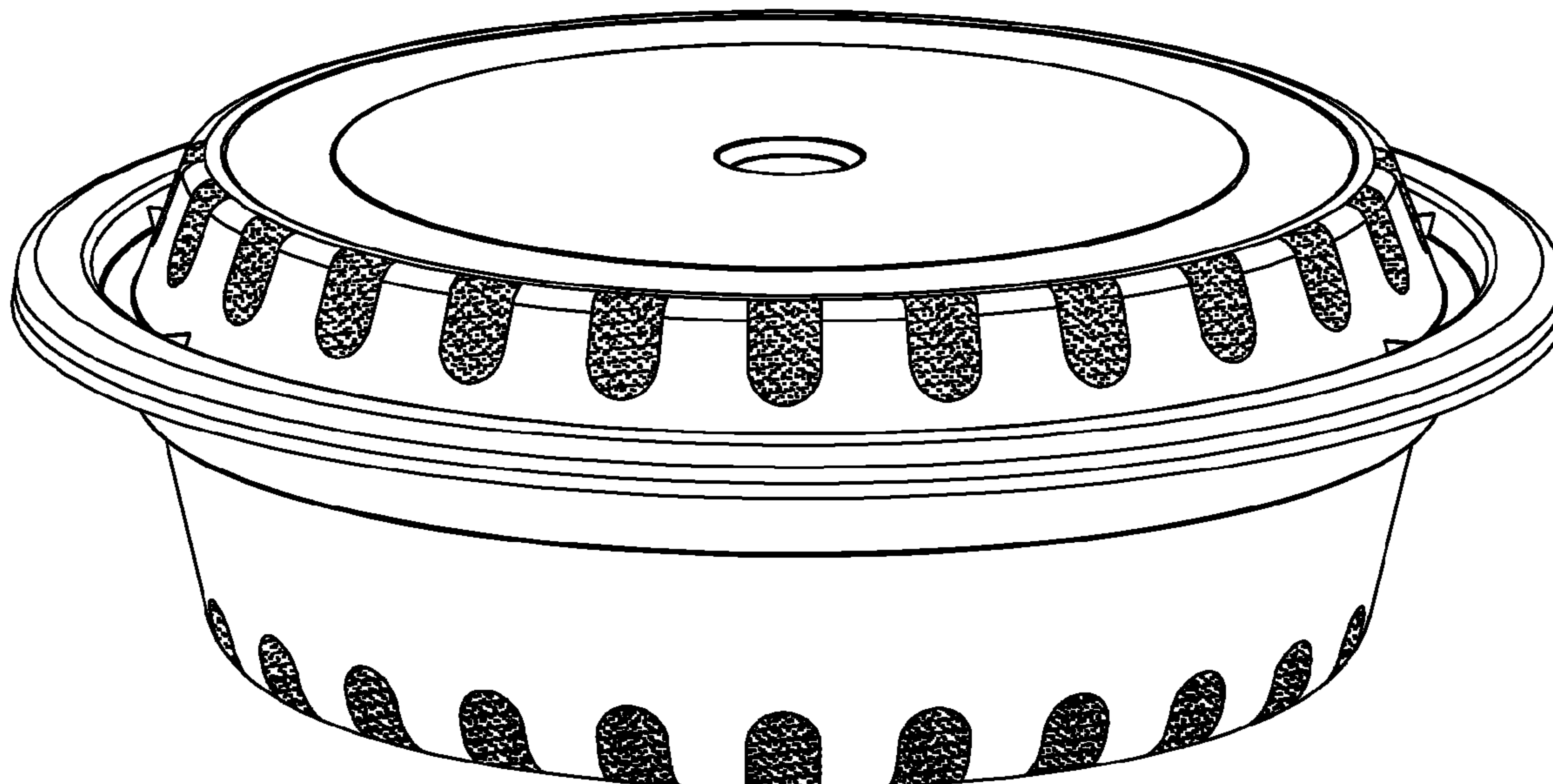


Figure 1

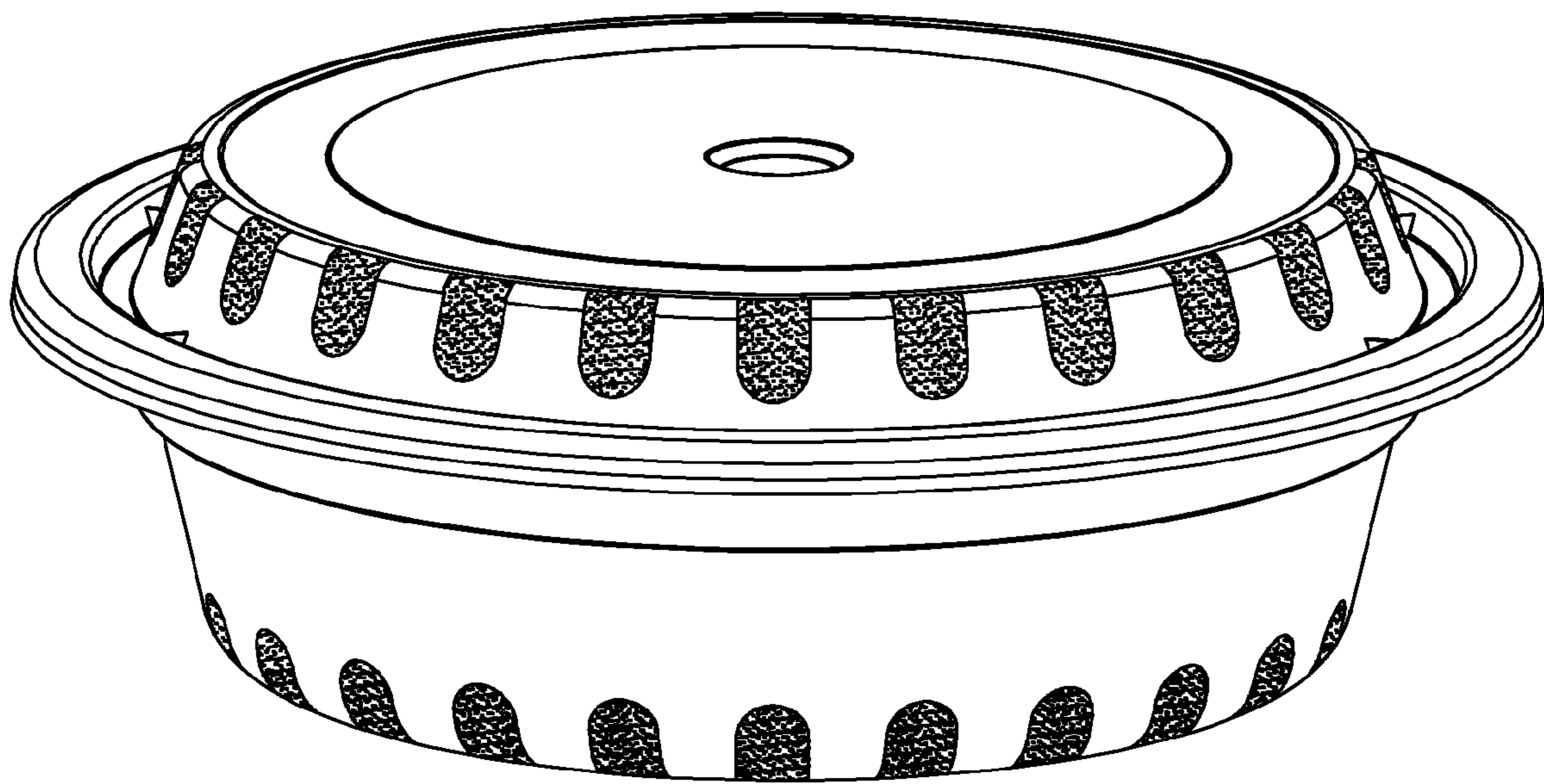


Figure 2

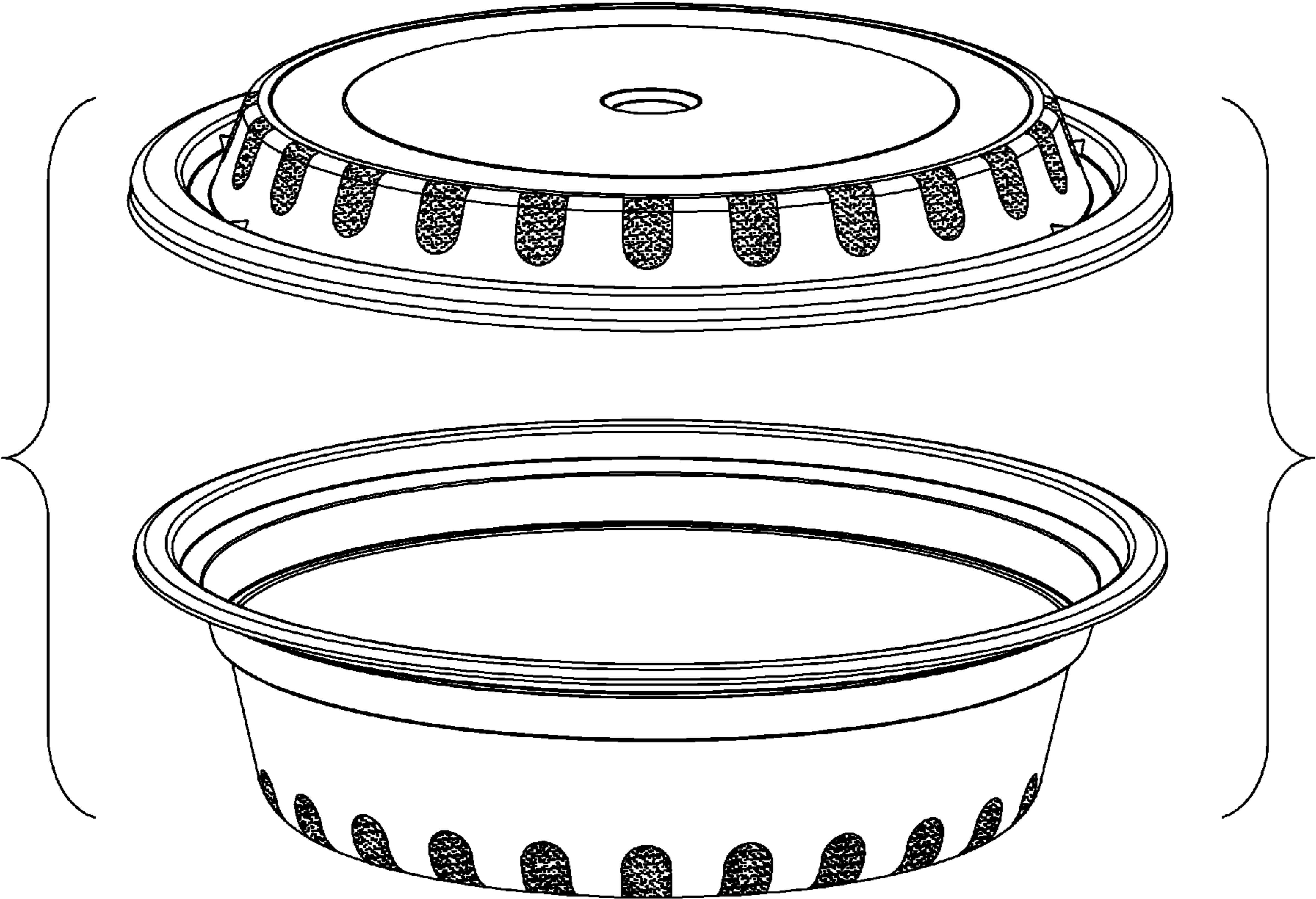


Figure 3

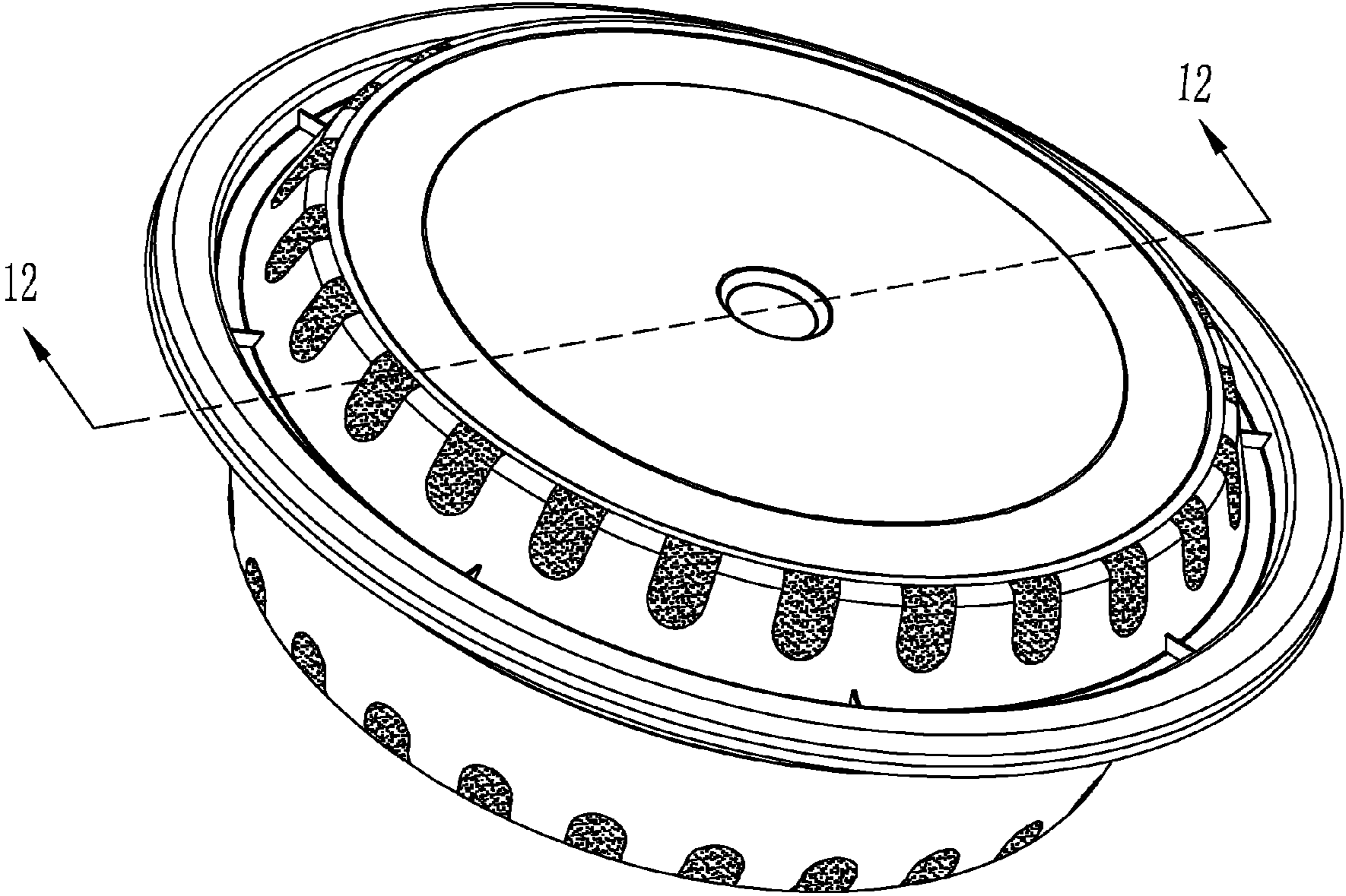


Figure 4

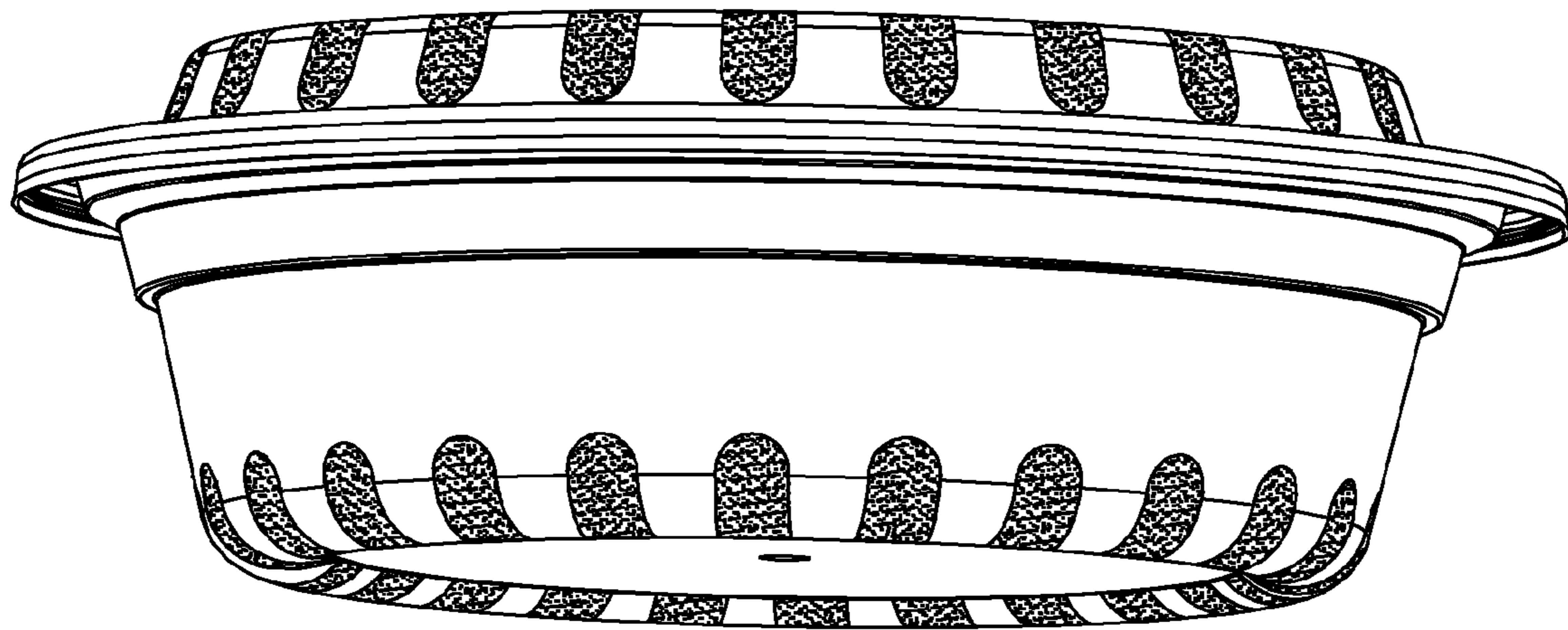


Figure 5

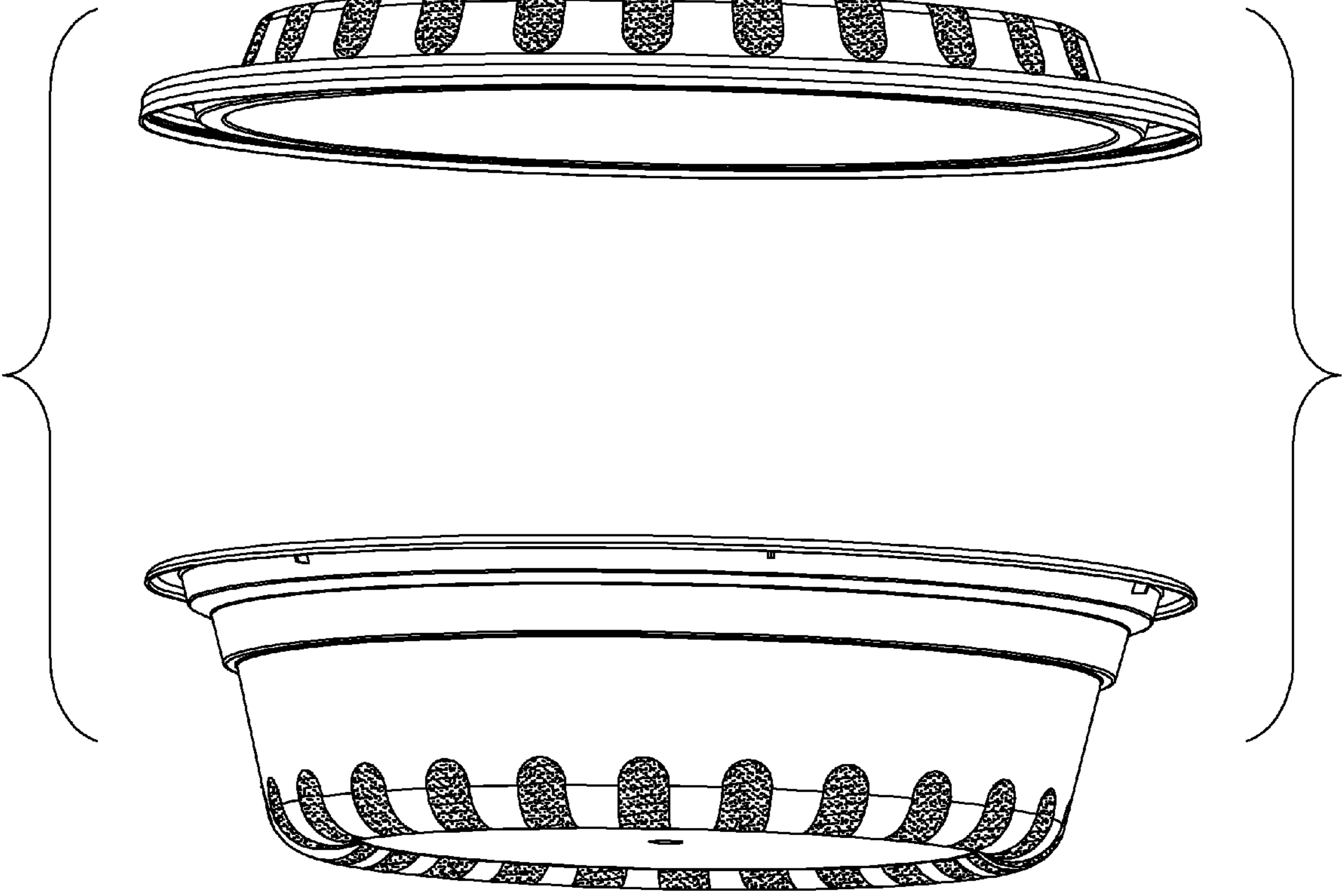


Figure 6

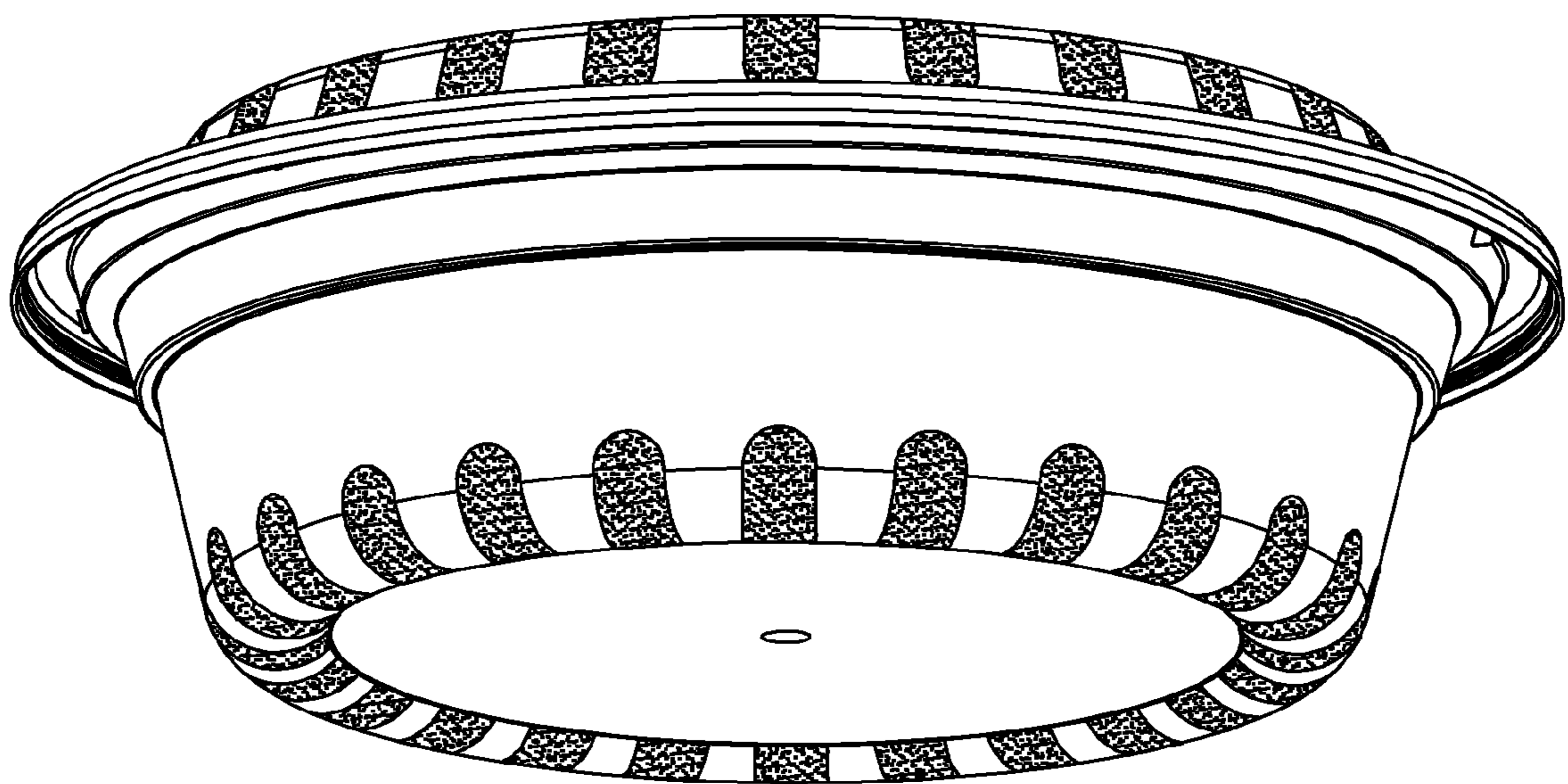


Figure 7

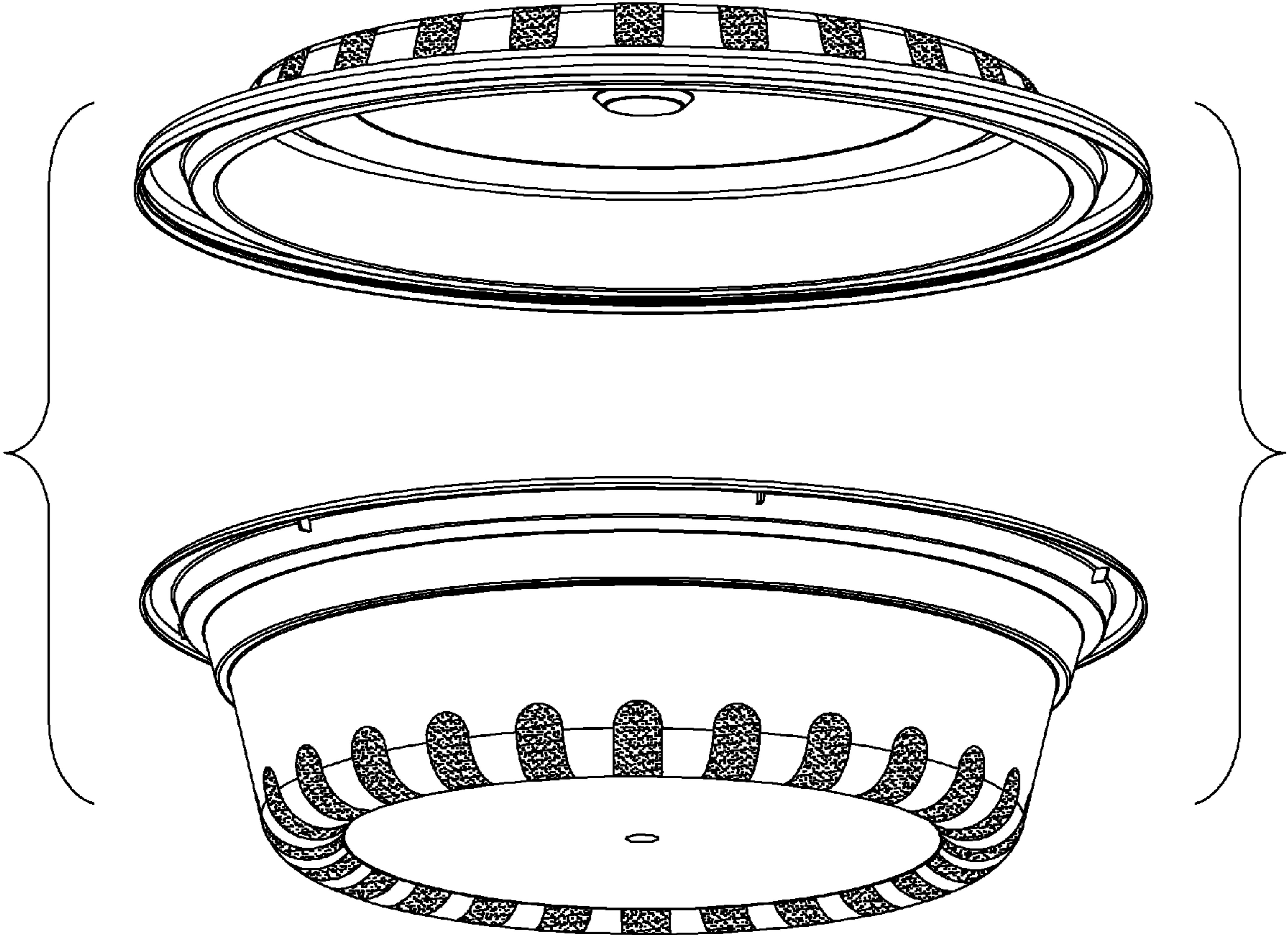


Figure 8

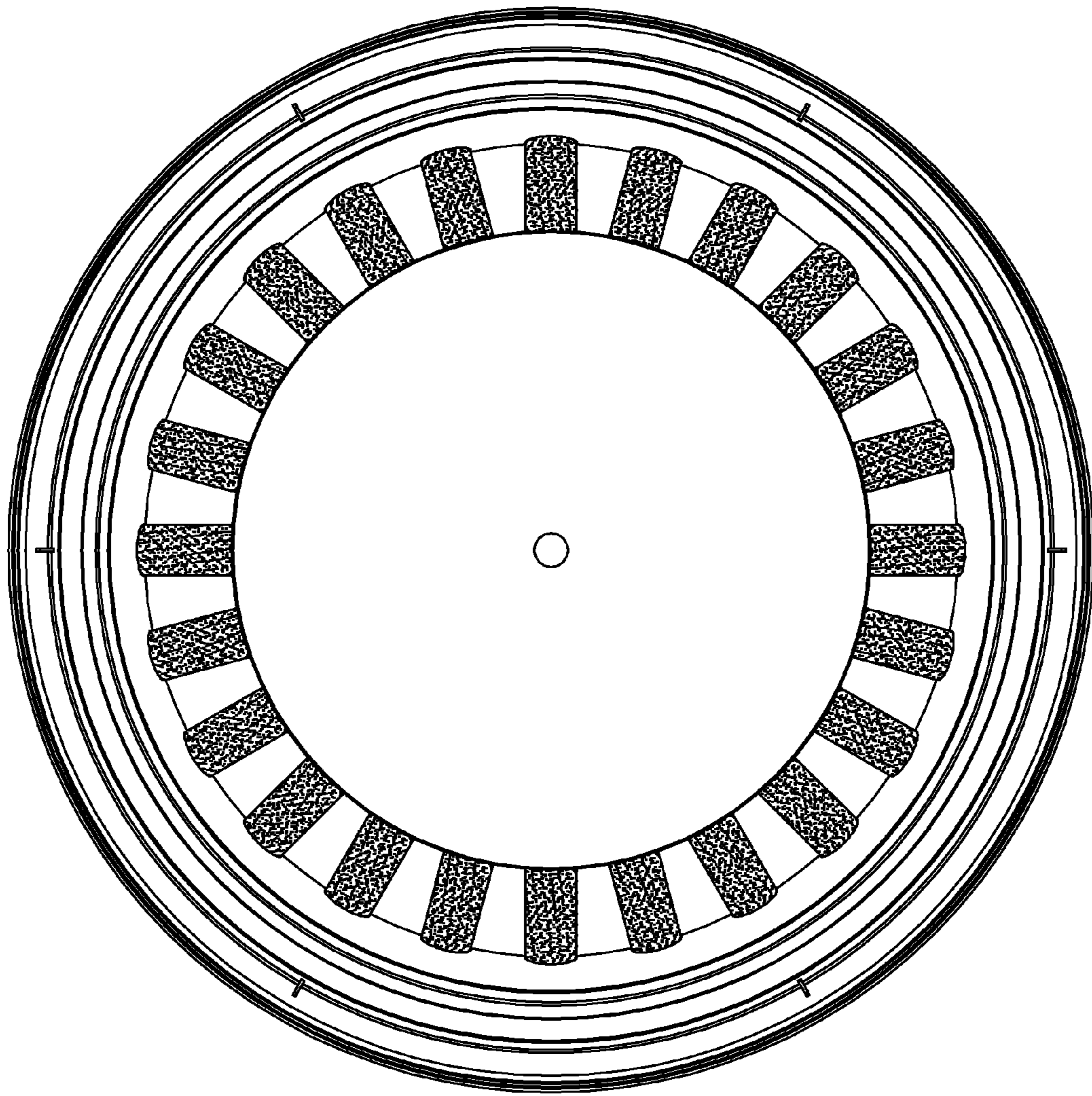


Figure 9

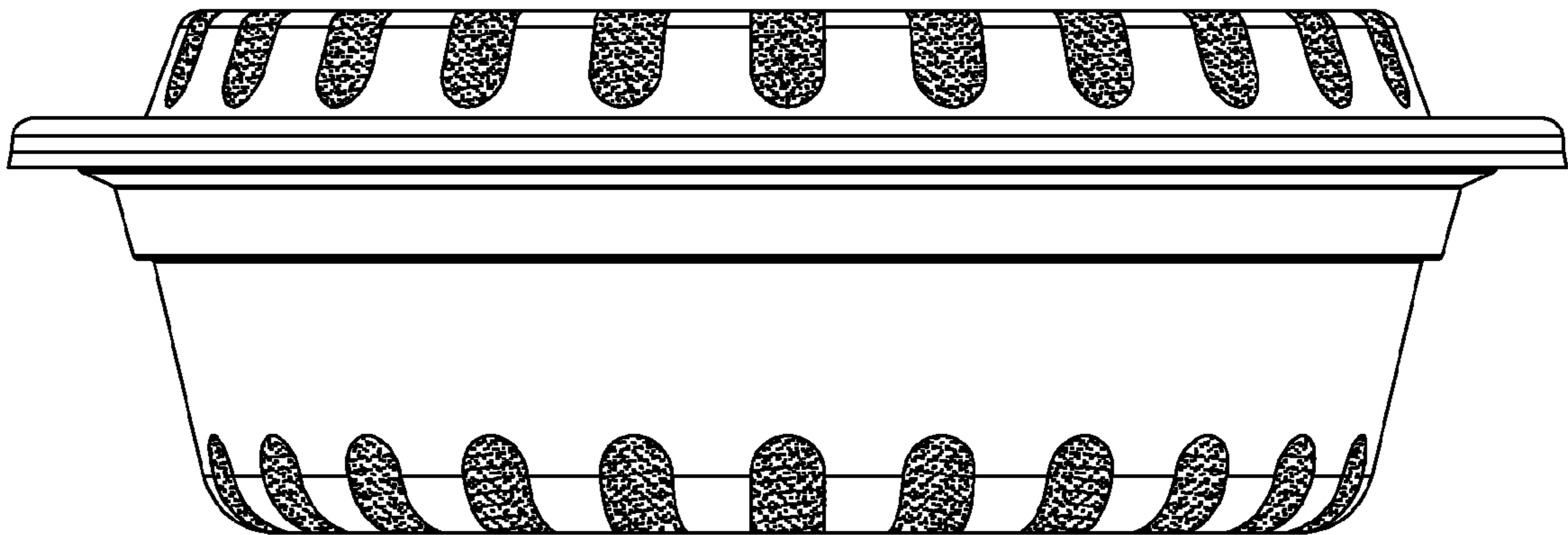


Figure 10

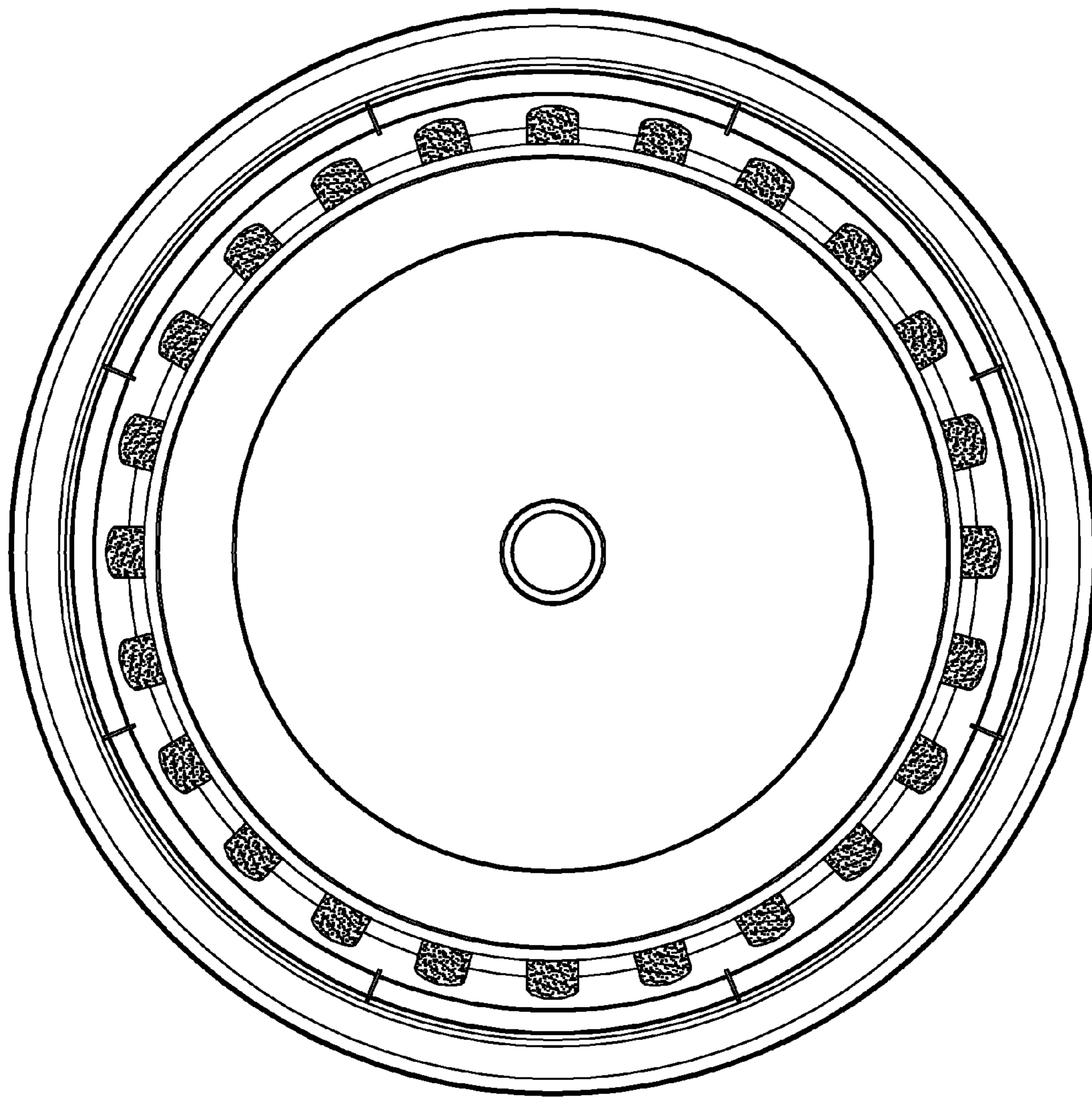


Figure 11

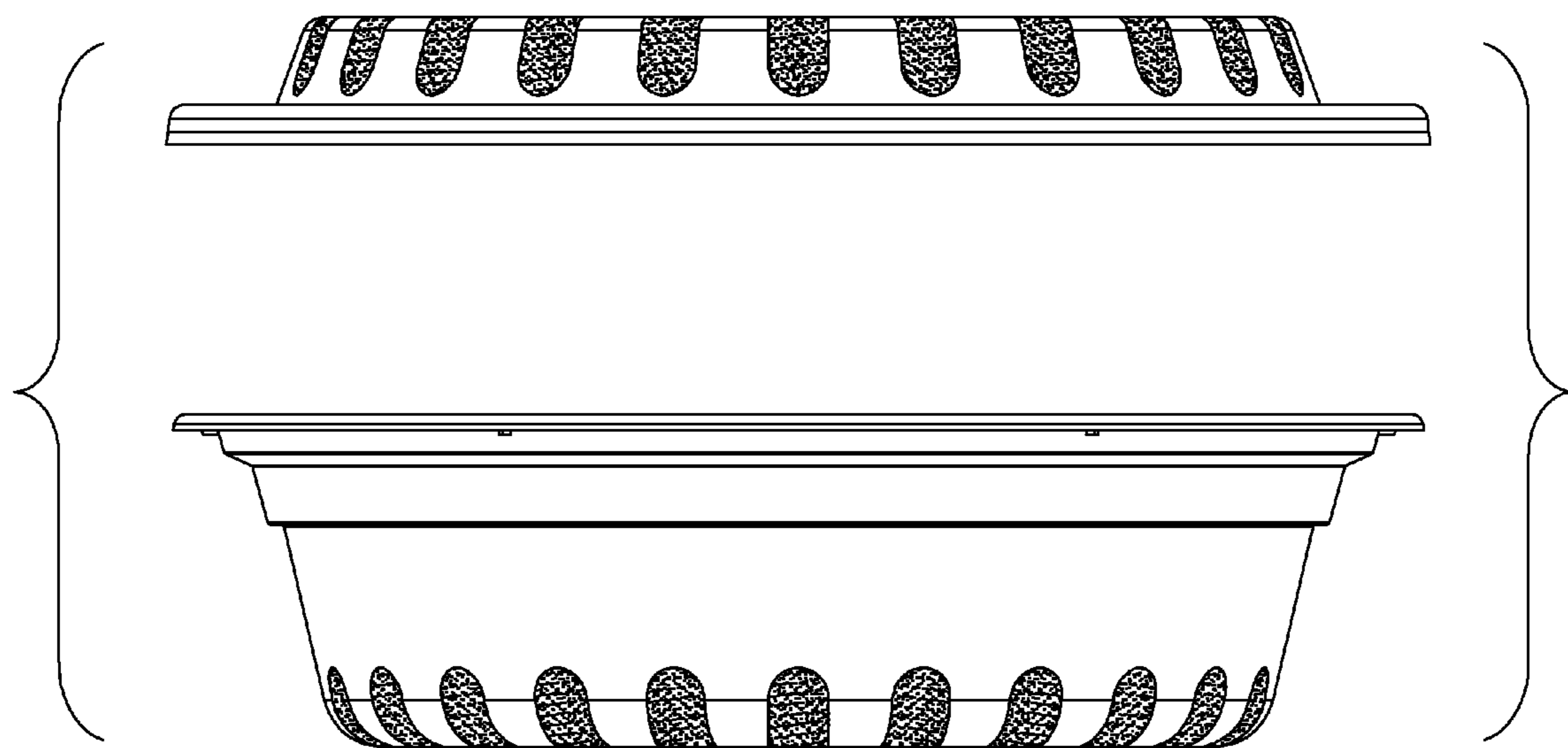


Figure 12

