

US00D664032S

(12) **United States Design Patent**
Su

(10) **Patent No.:** **US D664,032 S**
(45) **Date of Patent:** **** Jul. 24, 2012**

(54) **BALL JOINT FOR A UNIVERSAL JOINT DEVICE**

(76) Inventor: **Cheng-Wei Su**, Taichung (TW)

(**) Term: **14 Years**

(21) Appl. No.: **29/405,332**

(22) Filed: **Nov. 1, 2011**

(51) **LOC (9) Cl.** **08-08**

(52) **U.S. Cl.** **D8/397; D8/382**

(58) **Field of Classification Search** D8/397,
D8/394, 382, 349, 399, 356, 363, 352; 403/291,
403/309, 300, 301, 310, 311, 403, 76, 90,
403/114, 122; 411/427, 429, 432, 918, 180;
429/178, 121; 439/766; 248/276.1, 181.1,
248/288.51, 200, 300; 427/406

See application file for complete search history.

(56) **References Cited**

U.S. PATENT DOCUMENTS

4,614,001	A *	9/1986	Liou	7/137
D513,380	S *	1/2006	Bruni	D8/397
7,025,315	B2 *	4/2006	Carnevali	248/276.1
D520,351	S *	5/2006	Alkalay et al.	D8/382
D524,149	S *	7/2006	Kim	D8/397
D574,700	S *	8/2008	Bevirt	D8/382
D623,049	S *	9/2010	Zeyfang	D8/397
D649,028	S *	11/2011	Nielsen	D8/382
2003/0098401	A1 *	5/2003	Carnevali	248/276.1

2007/0151355	A1 *	7/2007	Marczynski et al.	73/761
2007/0154254	A1 *	7/2007	Bevirt	403/56
2007/0212163	A1 *	9/2007	Bevirt	403/56
2008/0286477	A1 *	11/2008	Hattori	427/406

* cited by examiner

Primary Examiner — Cynthia Underwood

(74) *Attorney, Agent, or Firm* — C. G. Mersereau; Nikolai & Mersereau, P.A.

(57) **CLAIM**

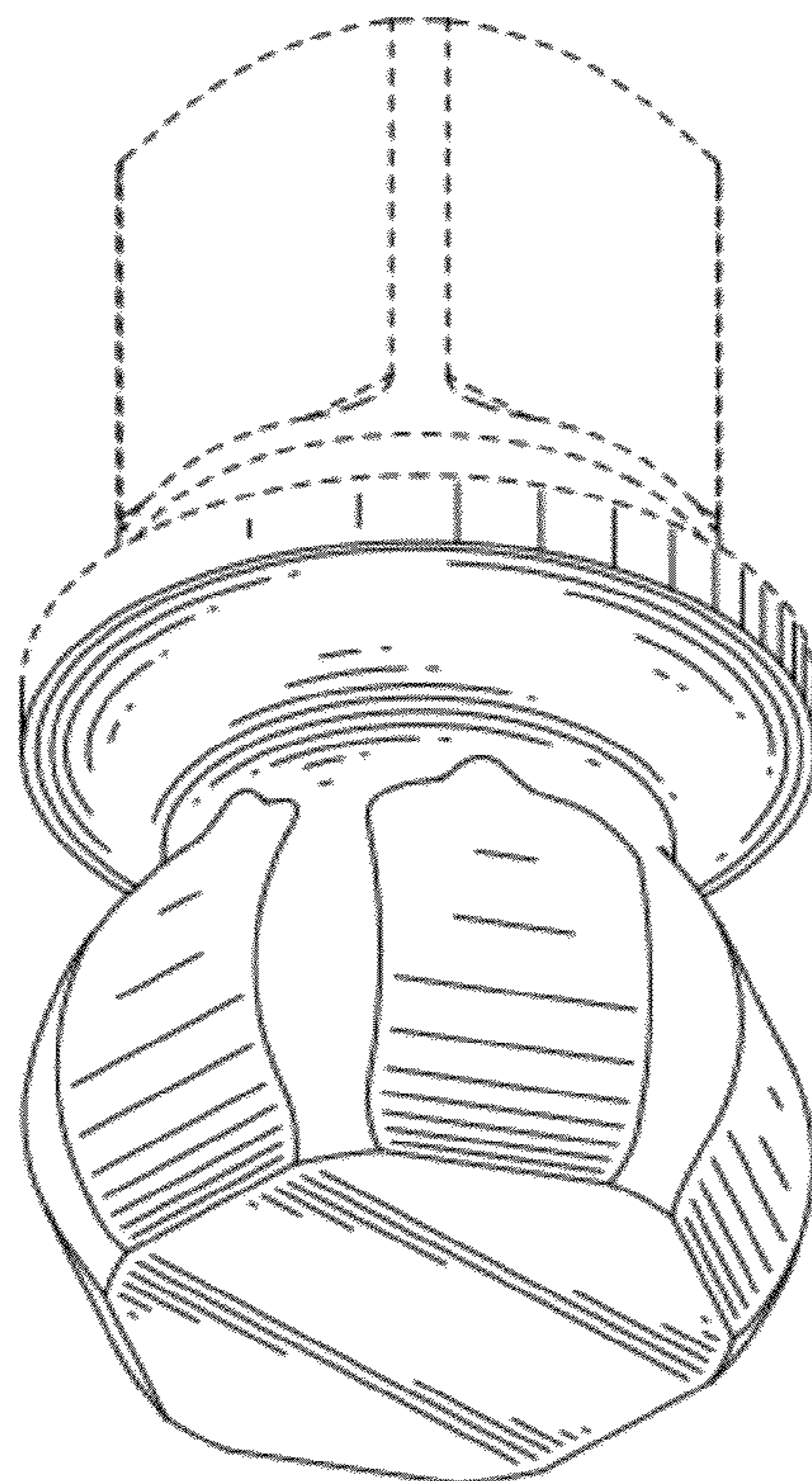
The ornamental design for a ball joint for a universal joint device, as shown and described.

DESCRIPTION

FIG. 1 is a perspective view of a ball joint for a universal joint device, showing my new design;
FIG. 2 is a front view thereof;
FIG. 3 is a rear view thereof;
FIG. 4 is a left view thereof;
FIG. 5 is a right view thereof;
FIG. 6 is a top view thereof;
FIG. 7 is a bottom view thereof; and,
FIG. 8 is another perspective view thereof.

The broken lines are directed to the environmental structure defining the boundary of the claimed portions of the ball joint for a universal joint device and form no part of the claimed design.

1 Claim, 5 Drawing Sheets



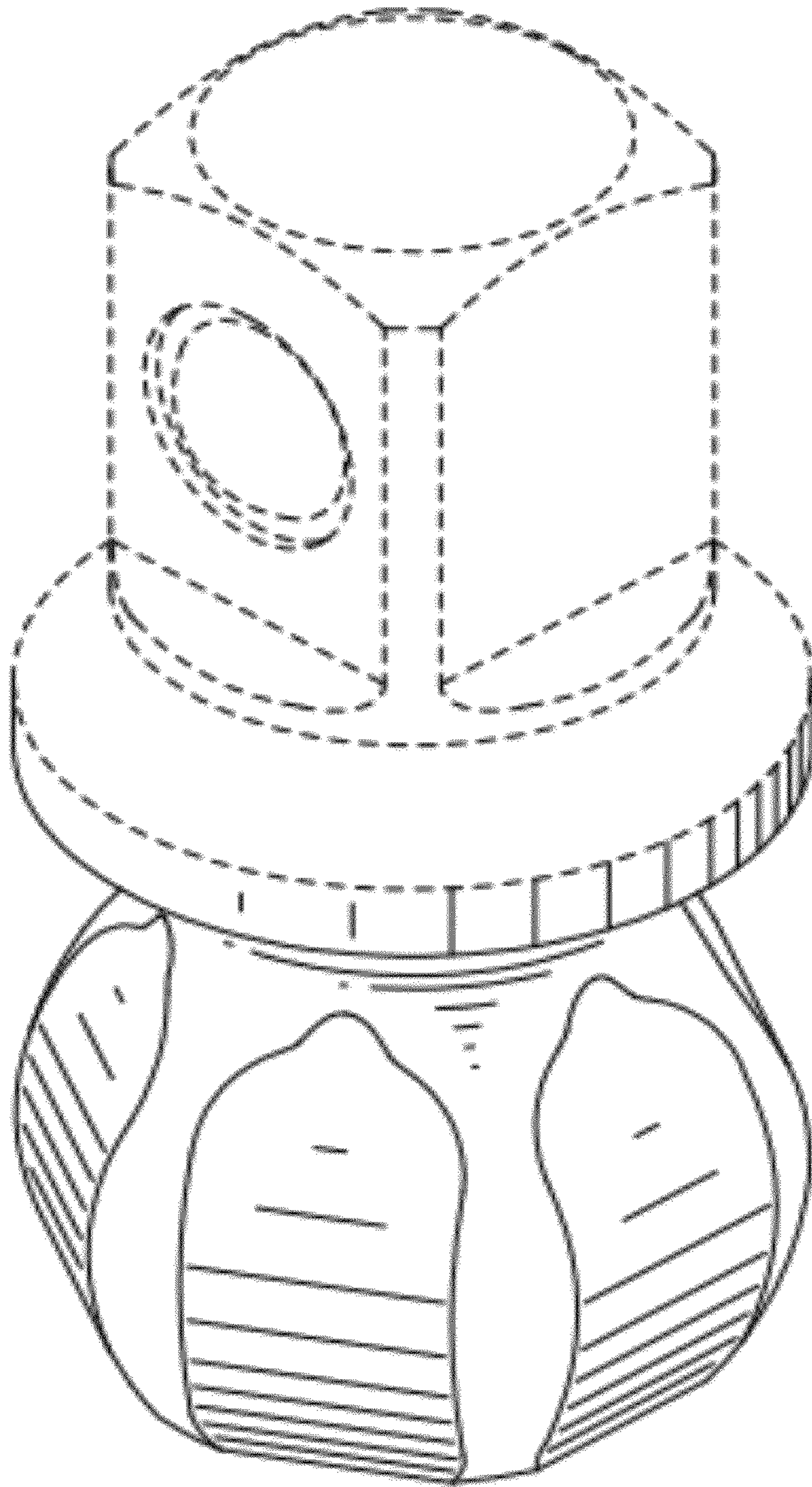


FIG. 1

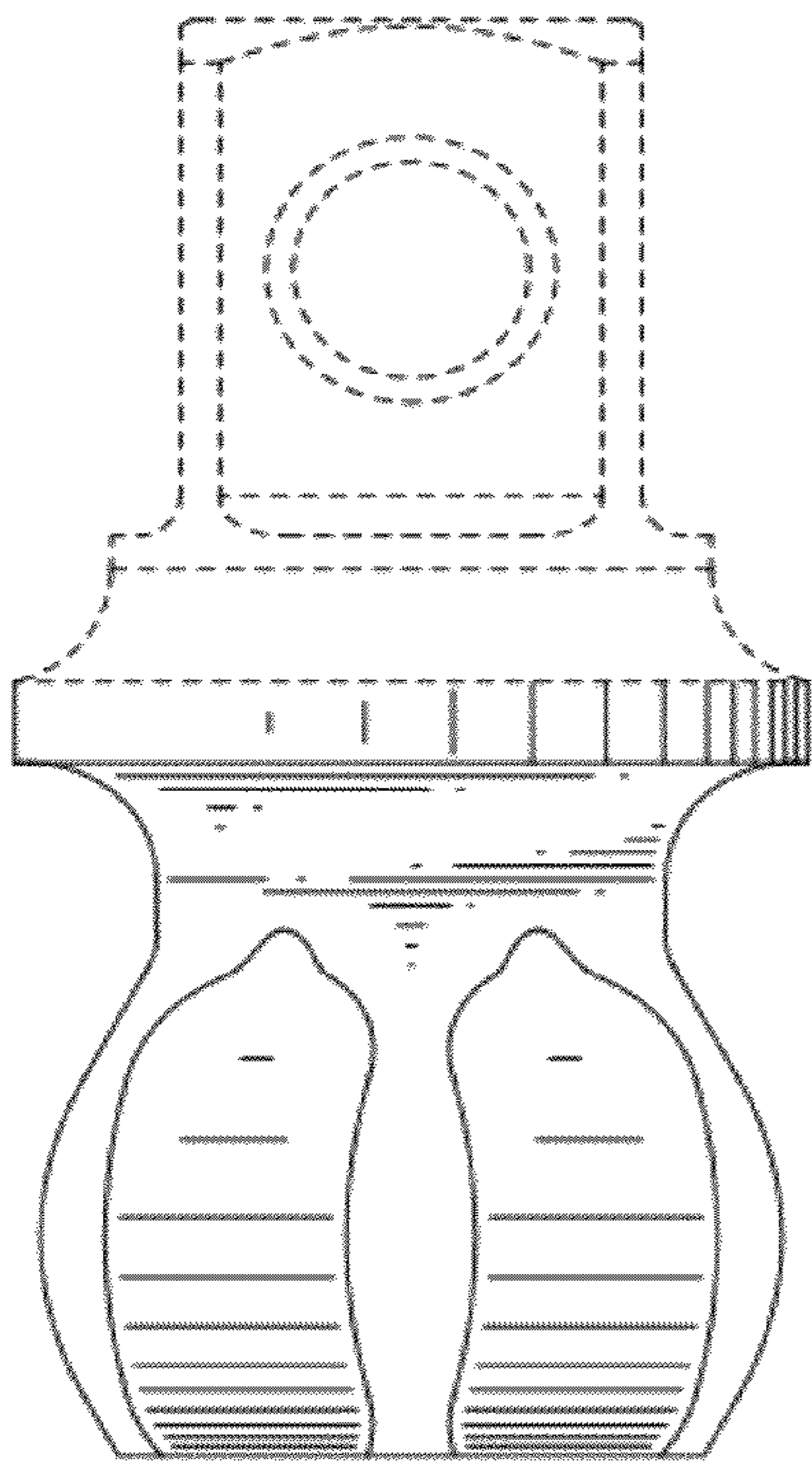


FIG. 2

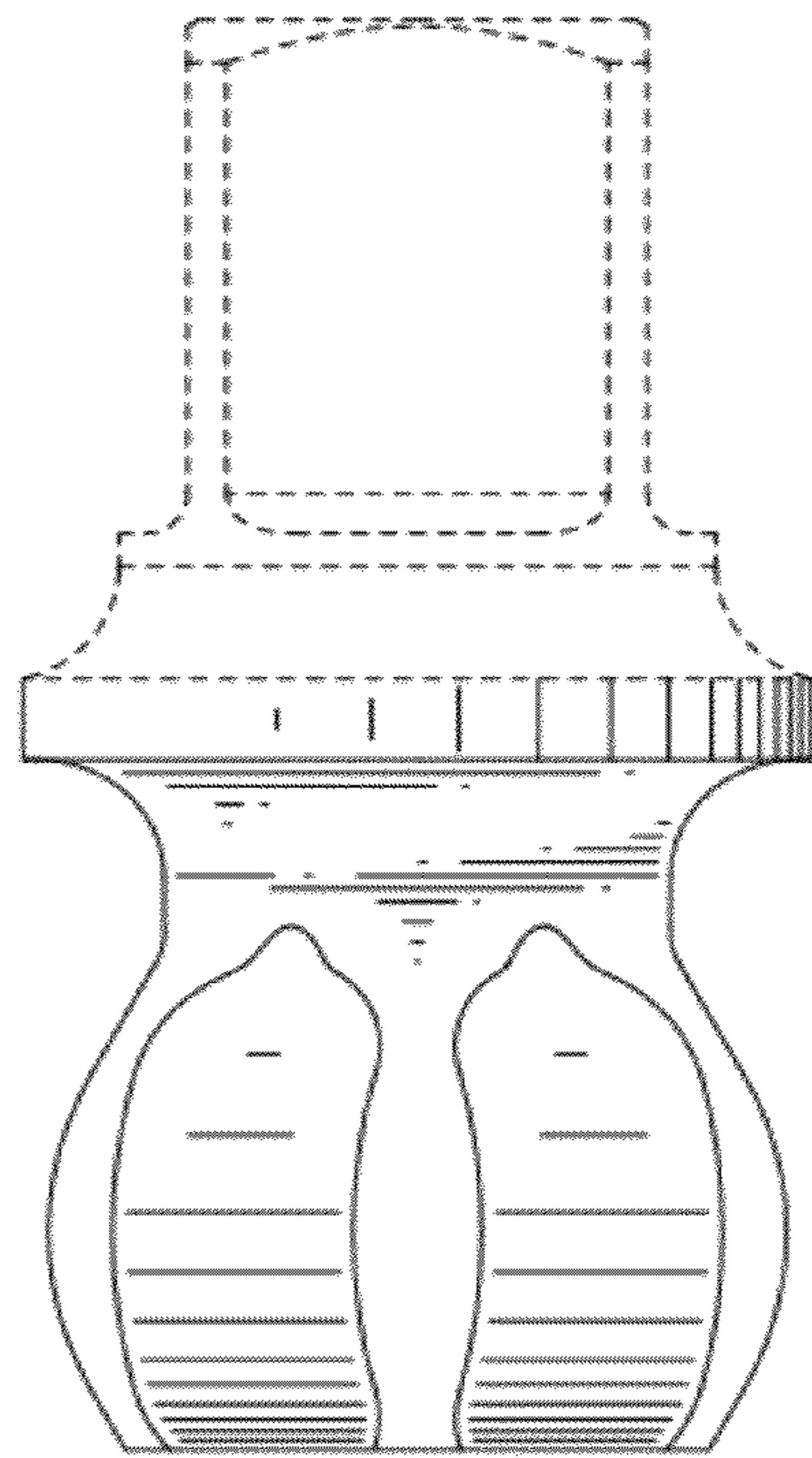


FIG. 3

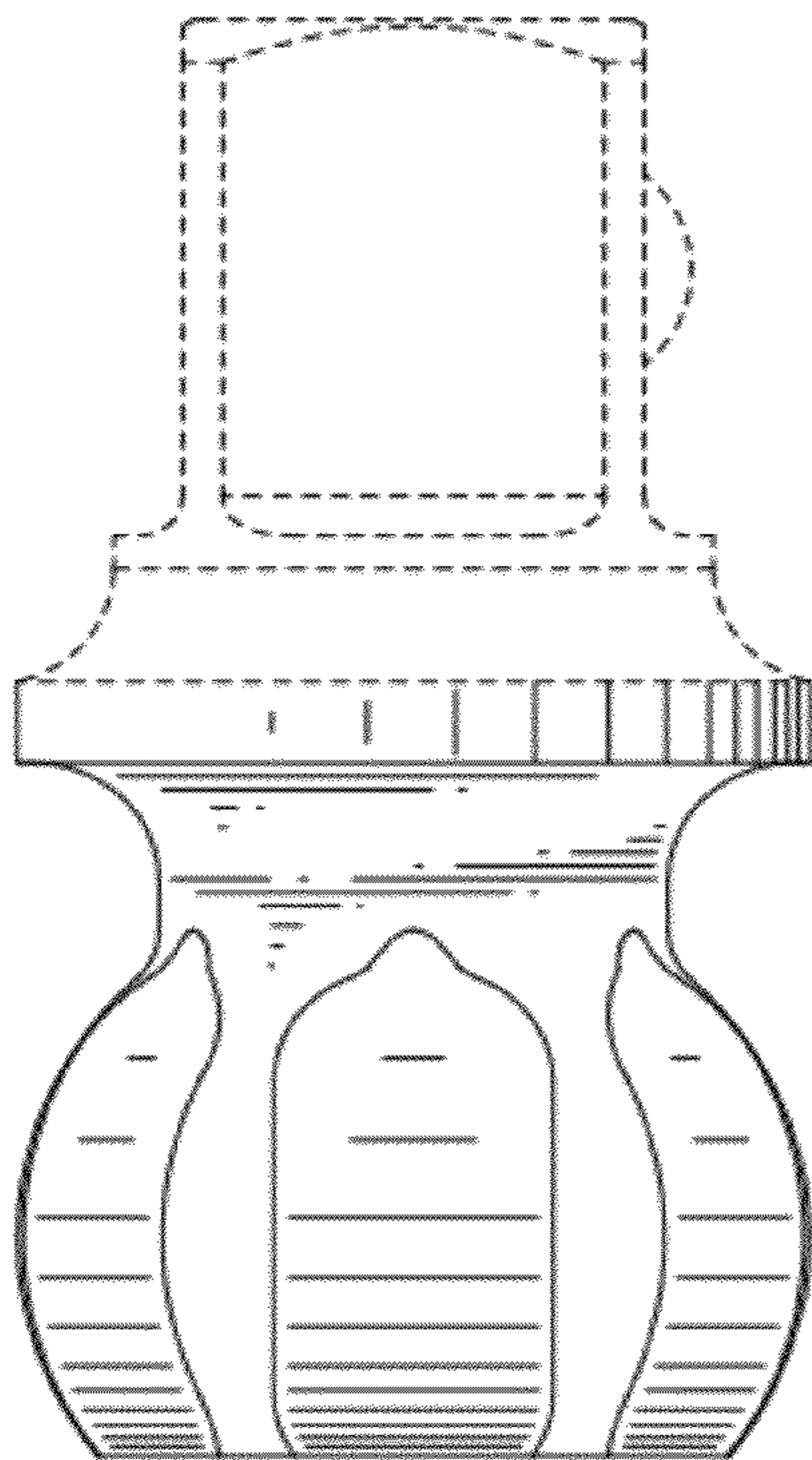


FIG. 4

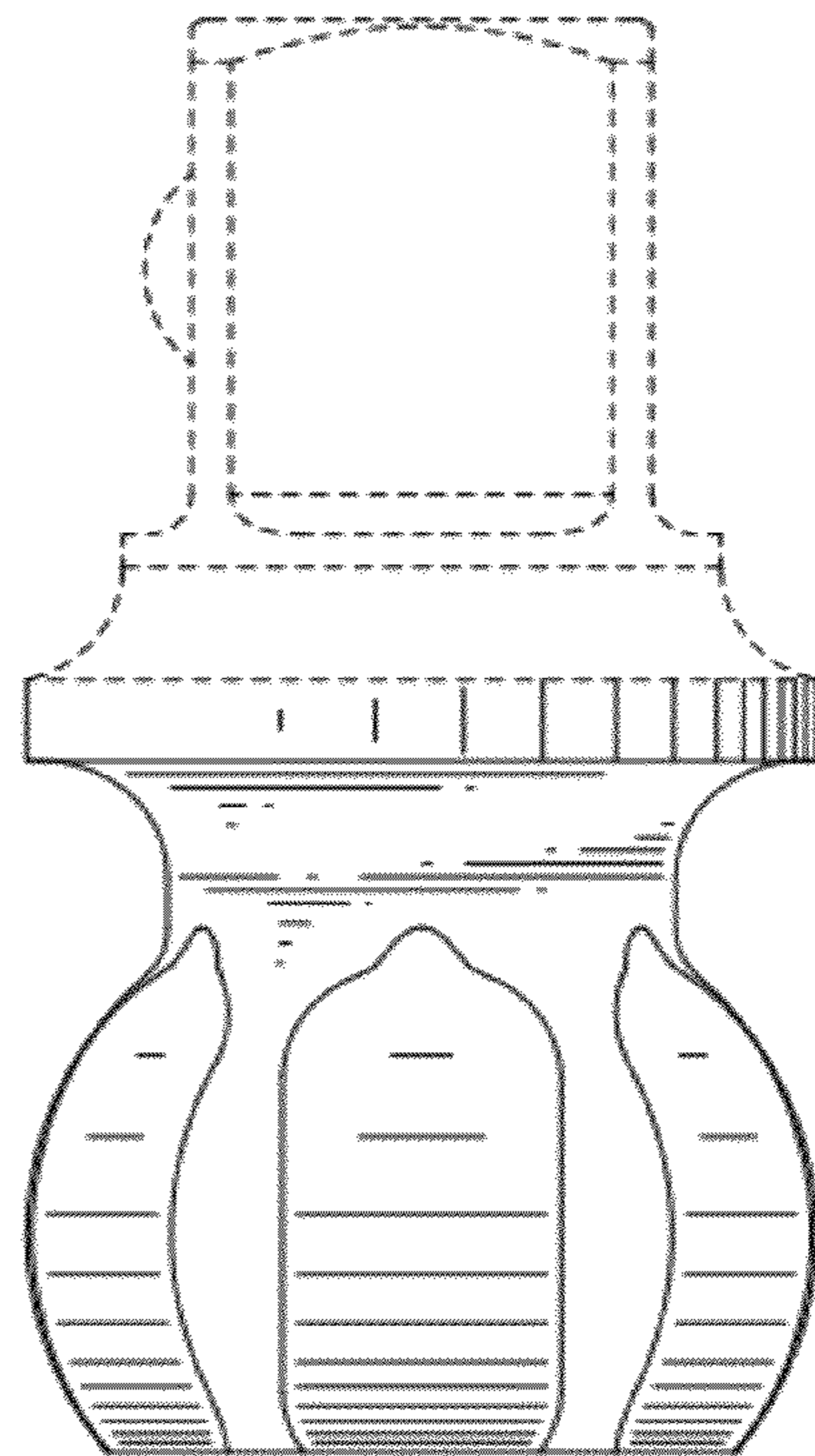


FIG. 5

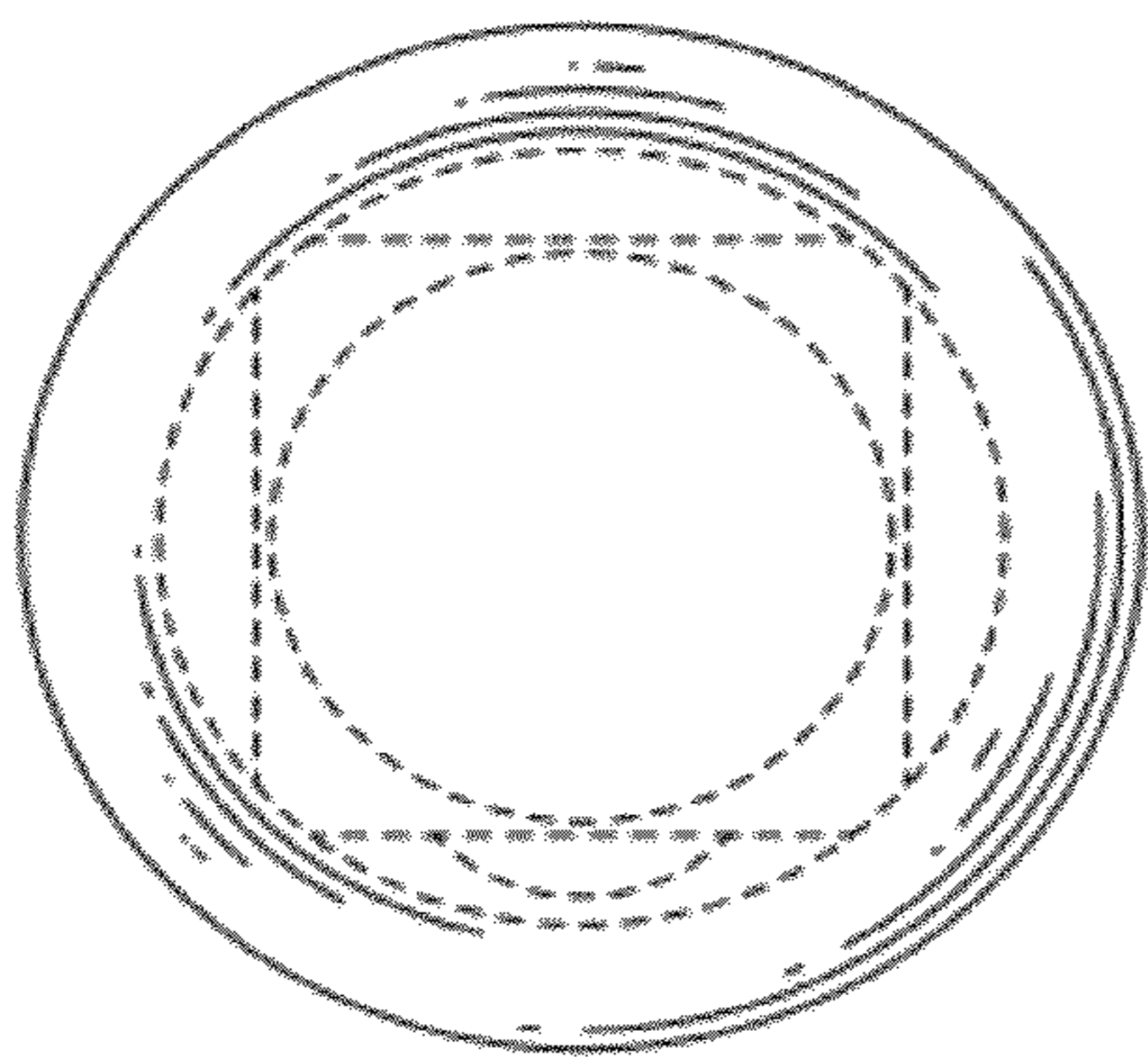


FIG. 6

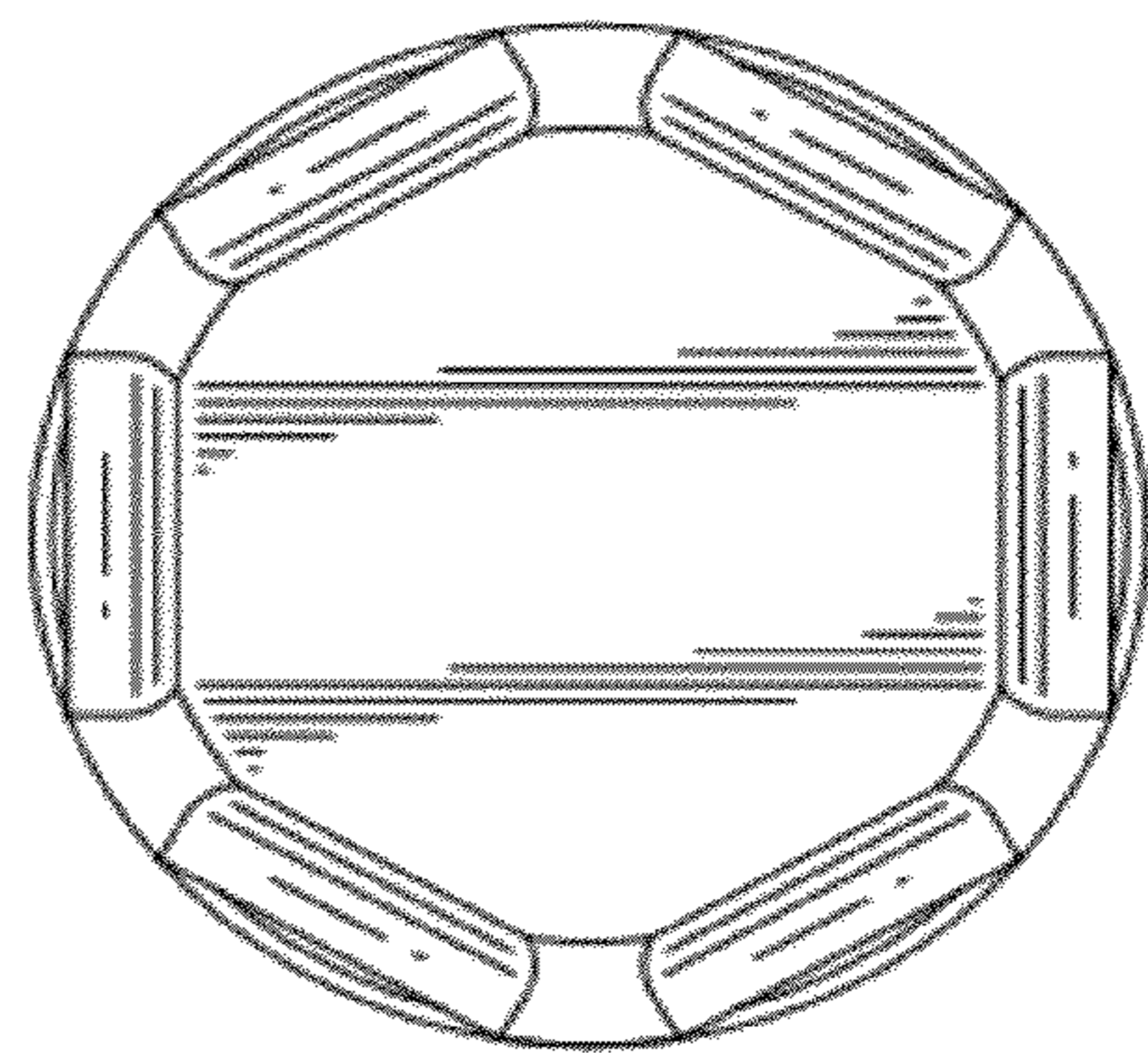


FIG. 7

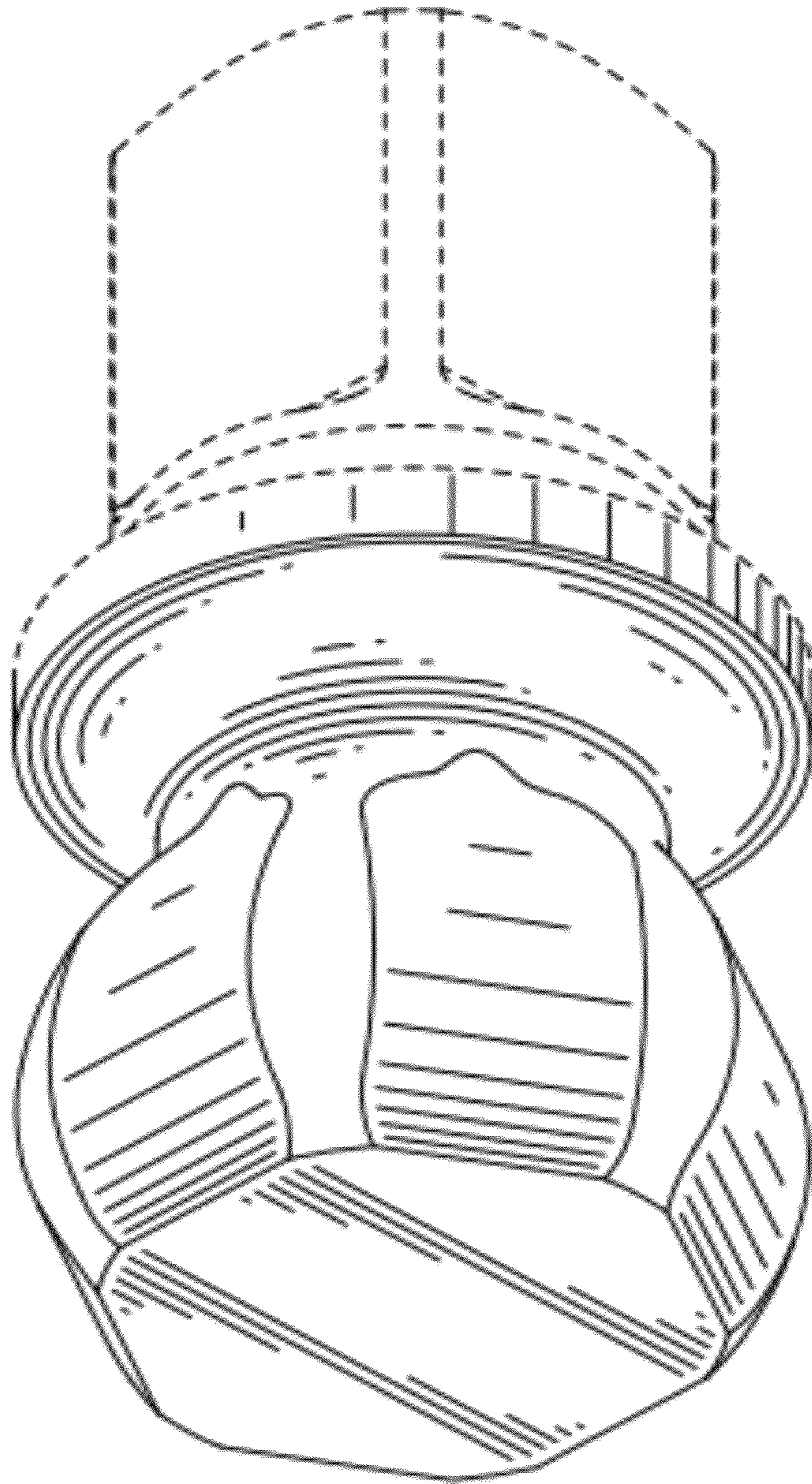


FIG.8