

US00D664031S

(12) **United States Design Patent**  
**Kleiber, Jr.**

(10) **Patent No.:** **US D664,031 S**  
(45) **Date of Patent:** **\*\* Jul. 24, 2012**

- (54) **SAUSAGE DOUBLE CLIP DECLIPPER**
- (76) Inventor: **James Scott Kleiber, Jr.**, Black Creek, WI (US)
- (\*\*) Term: **14 Years**
- (21) Appl. No.: **29/410,022**
- (22) Filed: **Jan. 3, 2012**
- (51) **LOC (9) Cl.** ..... **08-08**
- (52) **U.S. Cl.** ..... **D8/394**
- (58) **Field of Classification Search** ..... D8/356, D8/371, 394-396; 24/570, 455, 458, 457; 248/74.2, 215, 227.1, 49, 300, 301, 316.7, 248/51, 489; D19/65, 56; 52/781, 272, 270, 52/266, 285.3, 698, 285.4, 764, 309.12, 582.1, 52/586.1, 309.4; D25/58, 61; 249/219.1, 249/207; 452/49, 50, 51  
See application file for complete search history.

- D345,776 S \* 4/1994 Williams ..... D21/793
- 5,816,903 A \* 10/1998 Idziak ..... 452/49
- 6,645,092 B1 \* 11/2003 Hendren ..... 473/408
- D551,528 S \* 9/2007 Vautour ..... D8/72
- D573,302 S \* 7/2008 Donne ..... D27/183
- D575,088 S \* 8/2008 Saulnier ..... D6/547
- D583,640 S \* 12/2008 Gilham ..... D8/73

\* cited by examiner

*Primary Examiner* — John Windmuller  
(74) *Attorney, Agent, or Firm* — Steven H. Greenfield; Greenfield Inventor and Patent Consulting, Inc.

(56) **References Cited**

**U.S. PATENT DOCUMENTS**

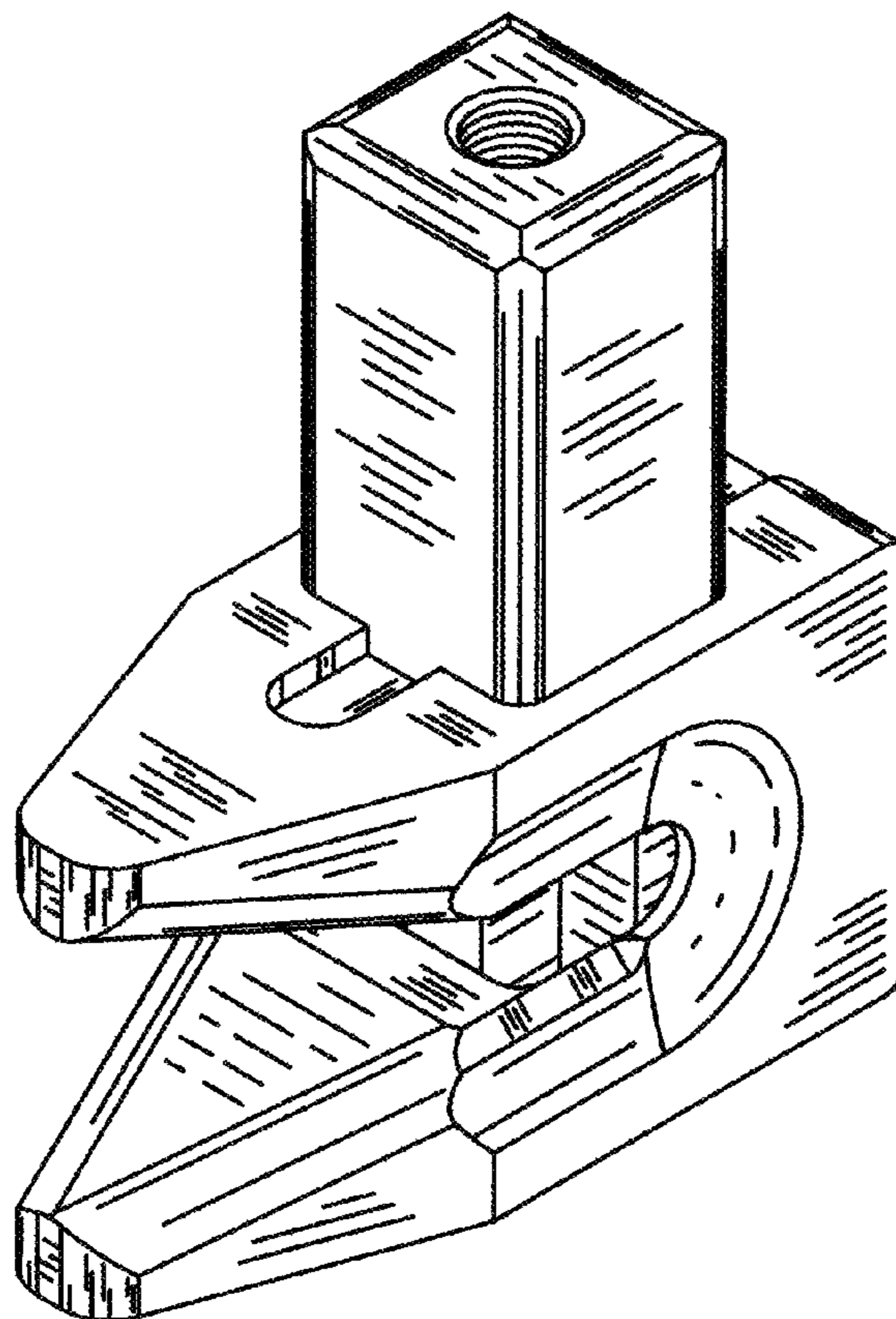
- D200,198 S \* 2/1965 Vileins ..... D8/383
- D202,294 S \* 9/1965 Heifetz ..... D8/396
- D228,877 S \* 10/1973 Hirt ..... D8/394
- D231,599 S \* 5/1974 Rumble ..... D8/394
- 4,418,447 A \* 12/1983 Ziolk ..... 452/46
- 4,463,477 A \* 8/1984 Ziolk ..... 452/49

(57) **CLAIM**  
The ornamental design for a sausage double clip declipper, as shown and described.

**DESCRIPTION**

FIG. 1 is a top view of a sausage double clip declipper showing my new design;  
FIG. 2 is a bottom view thereof;  
FIG. 3 is a first side view thereof;  
FIG. 4 is a second side view thereof;  
FIG. 5 is a front view thereof;  
FIG. 6 is a rear view thereof;  
FIG. 7 is a first side perspective view thereof; and,  
FIG. 8 is a second side perspective view thereof.

**1 Claim, 8 Drawing Sheets**



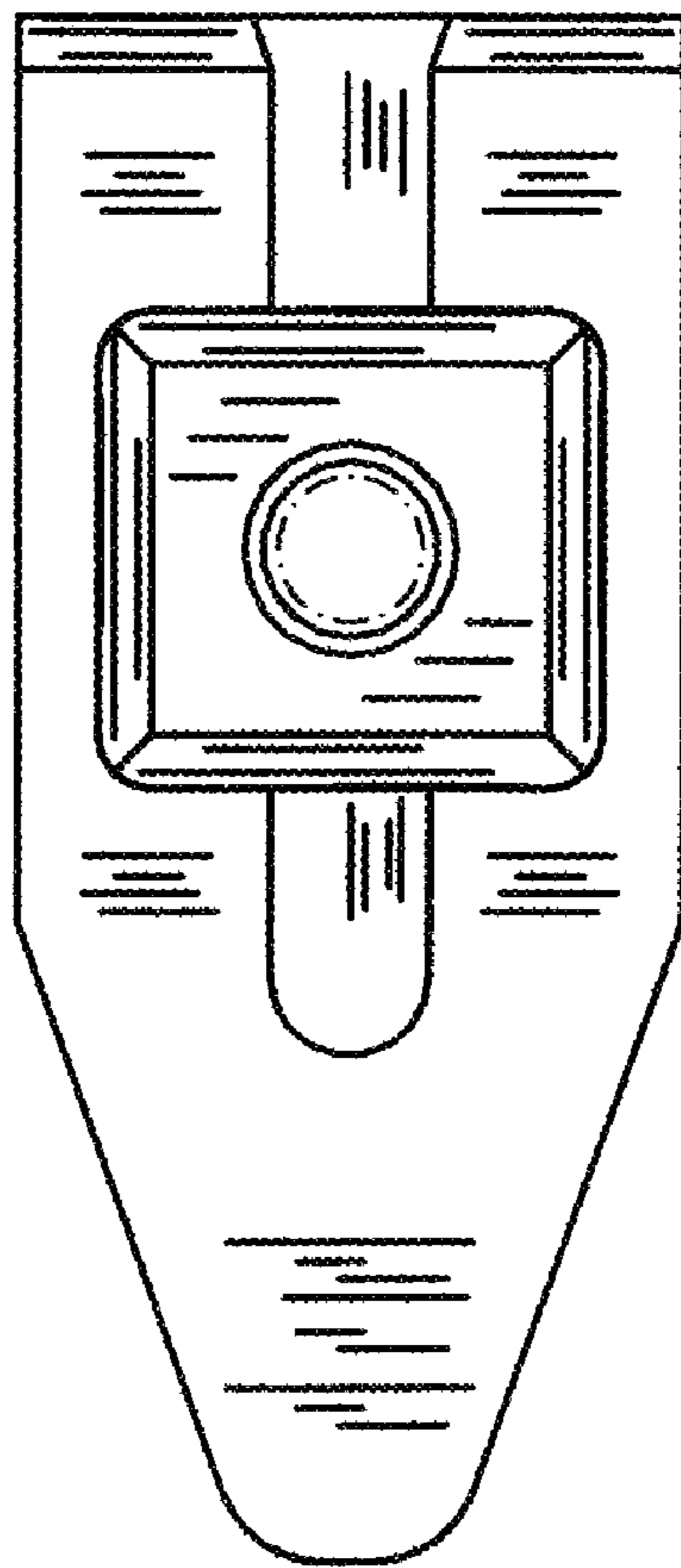


FIG. 1

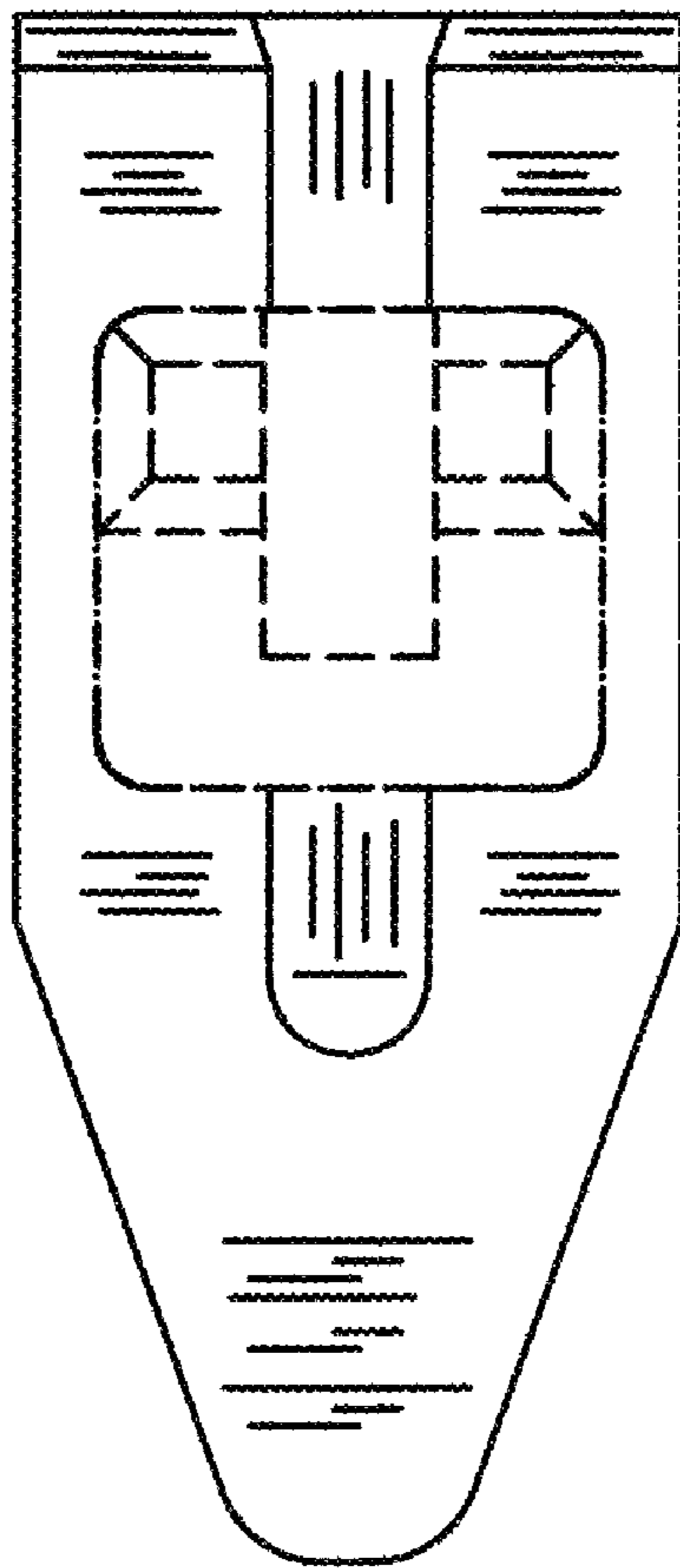


FIG. 2

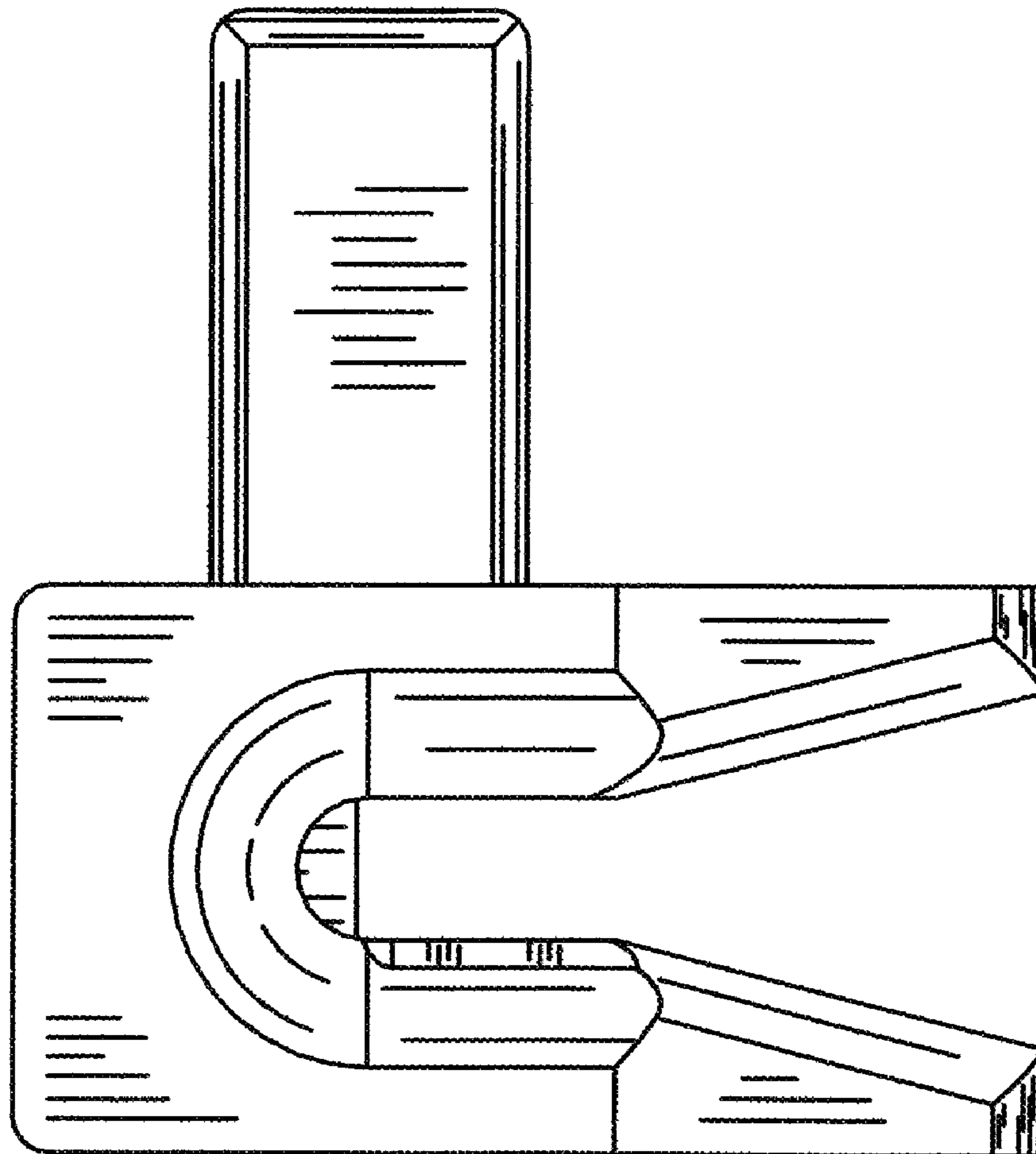


FIG. 3

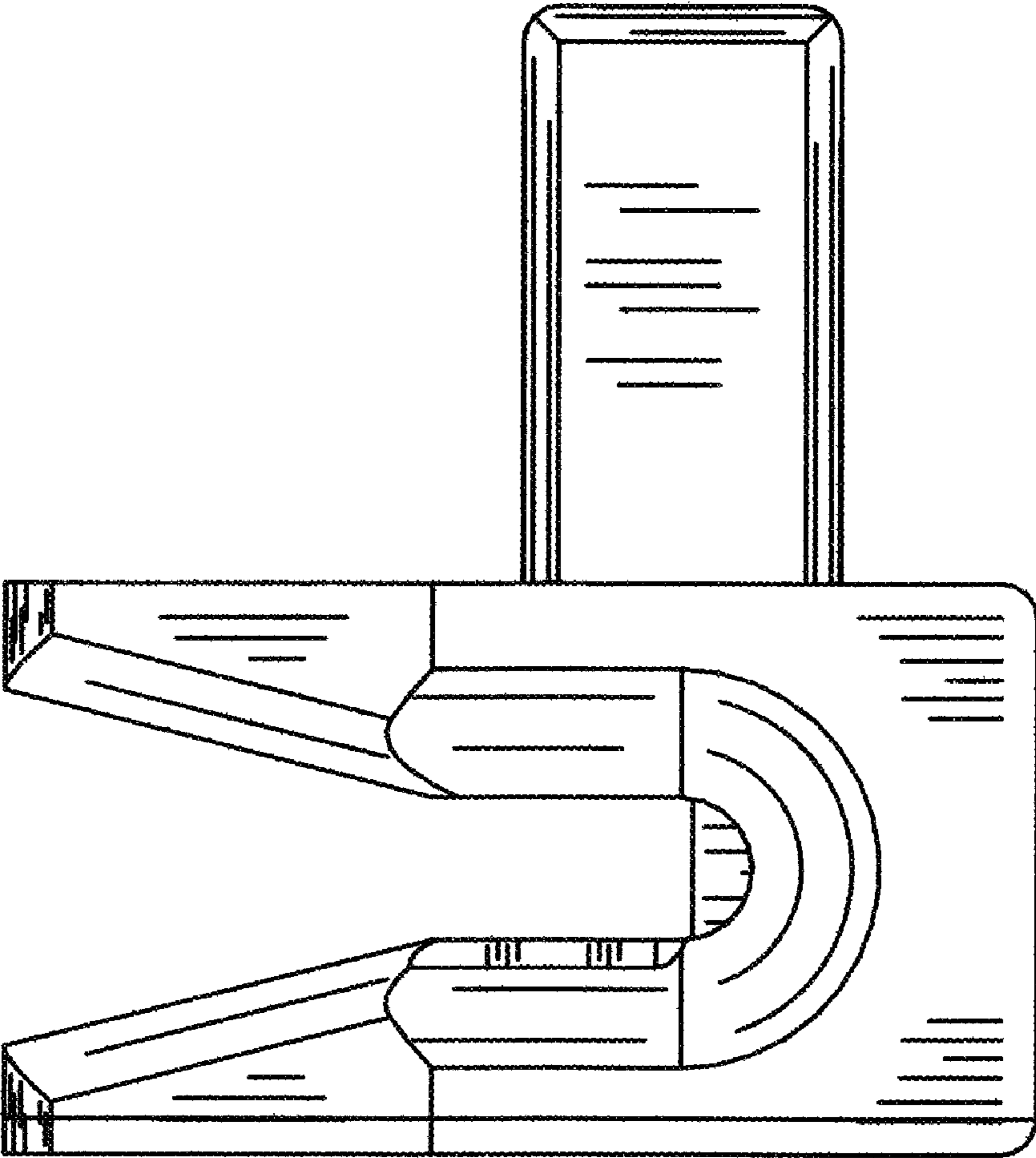


FIG. 4

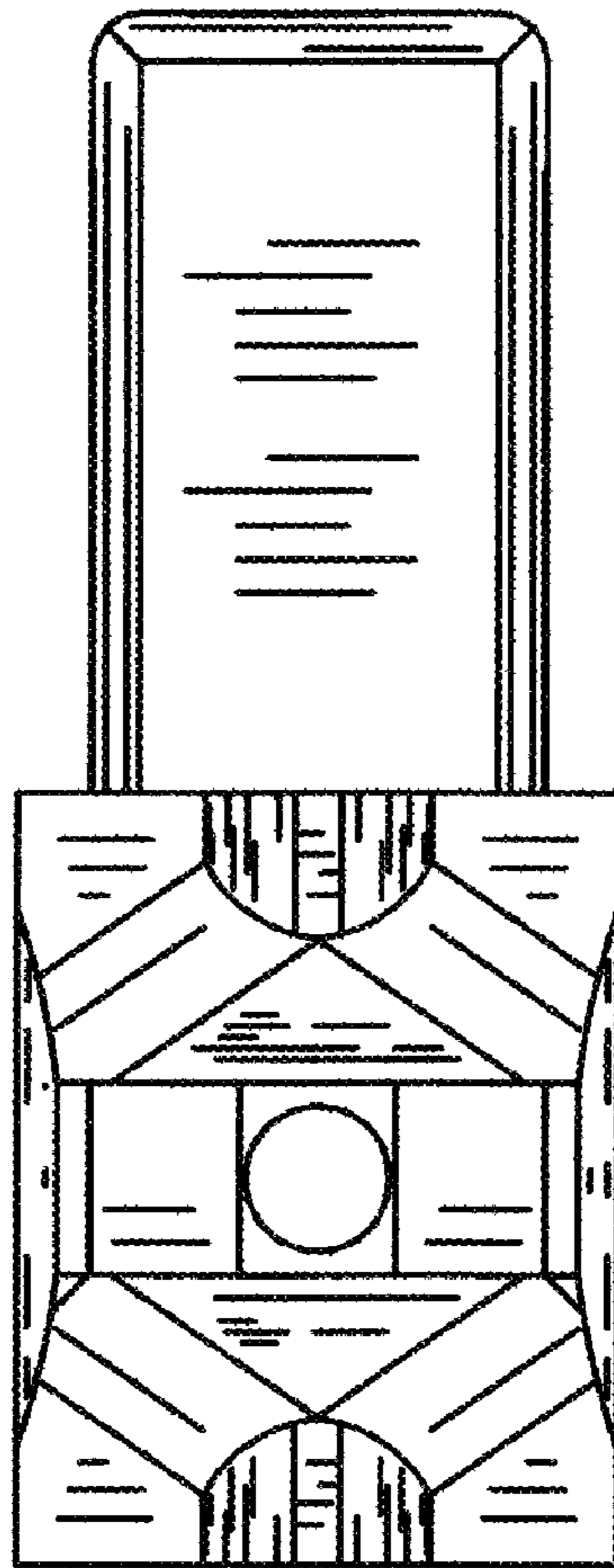


FIG. 5

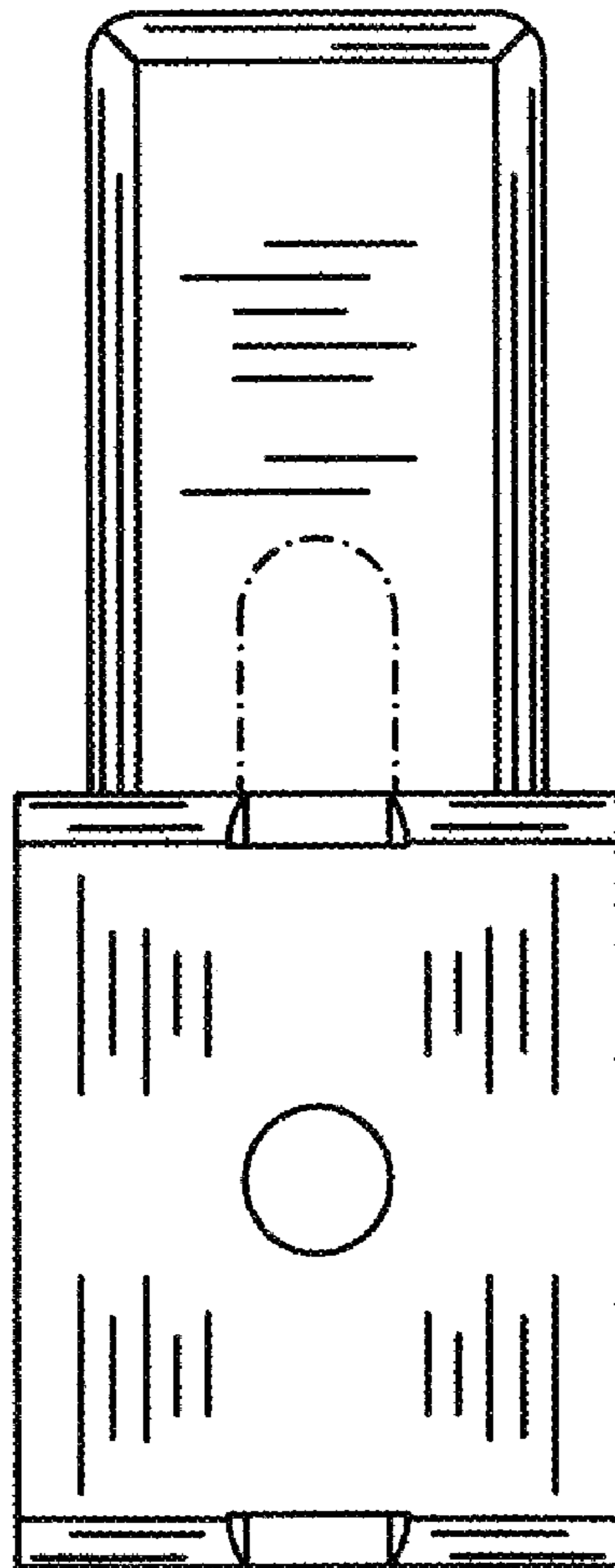


FIG. 6

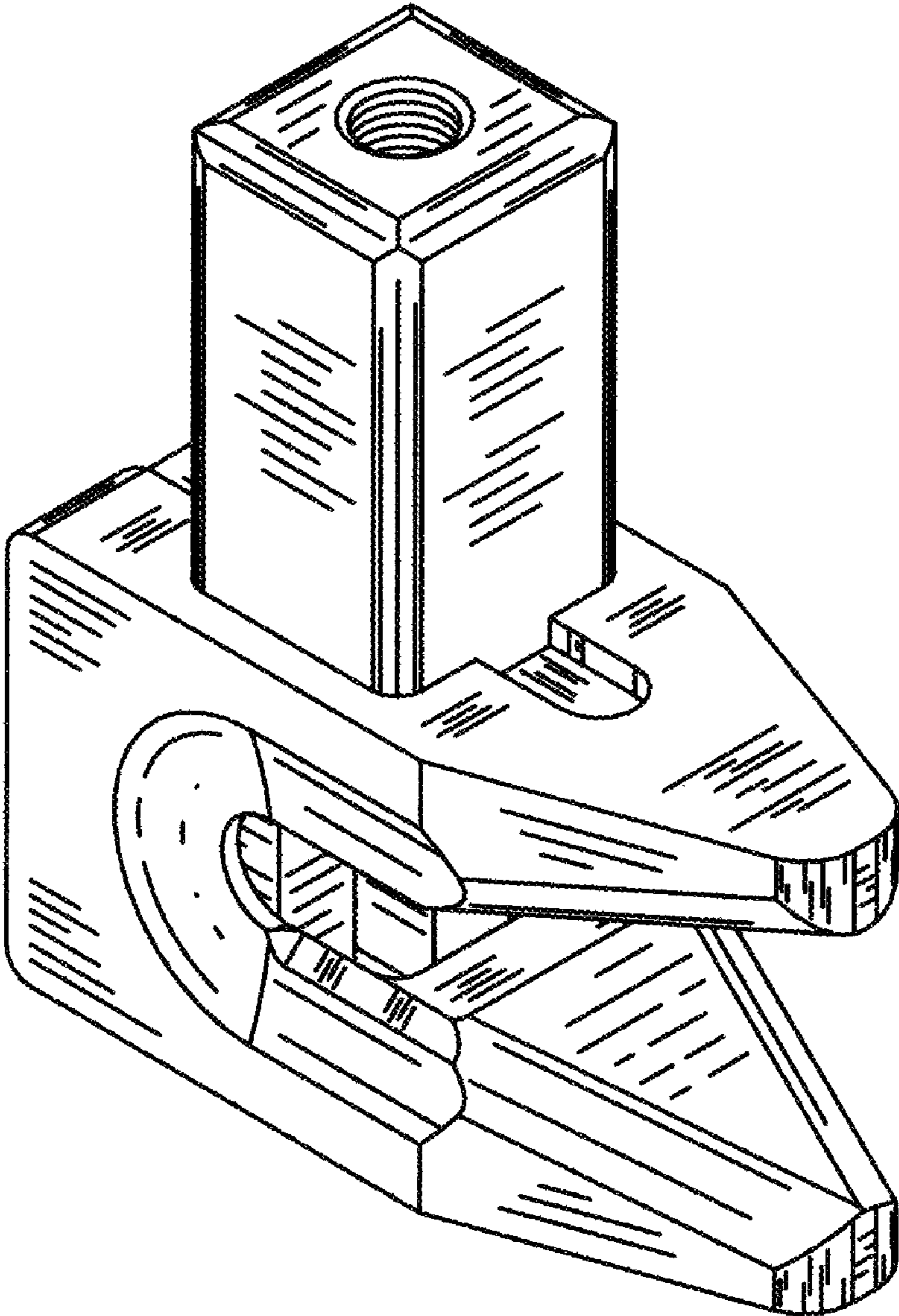


FIG. 7



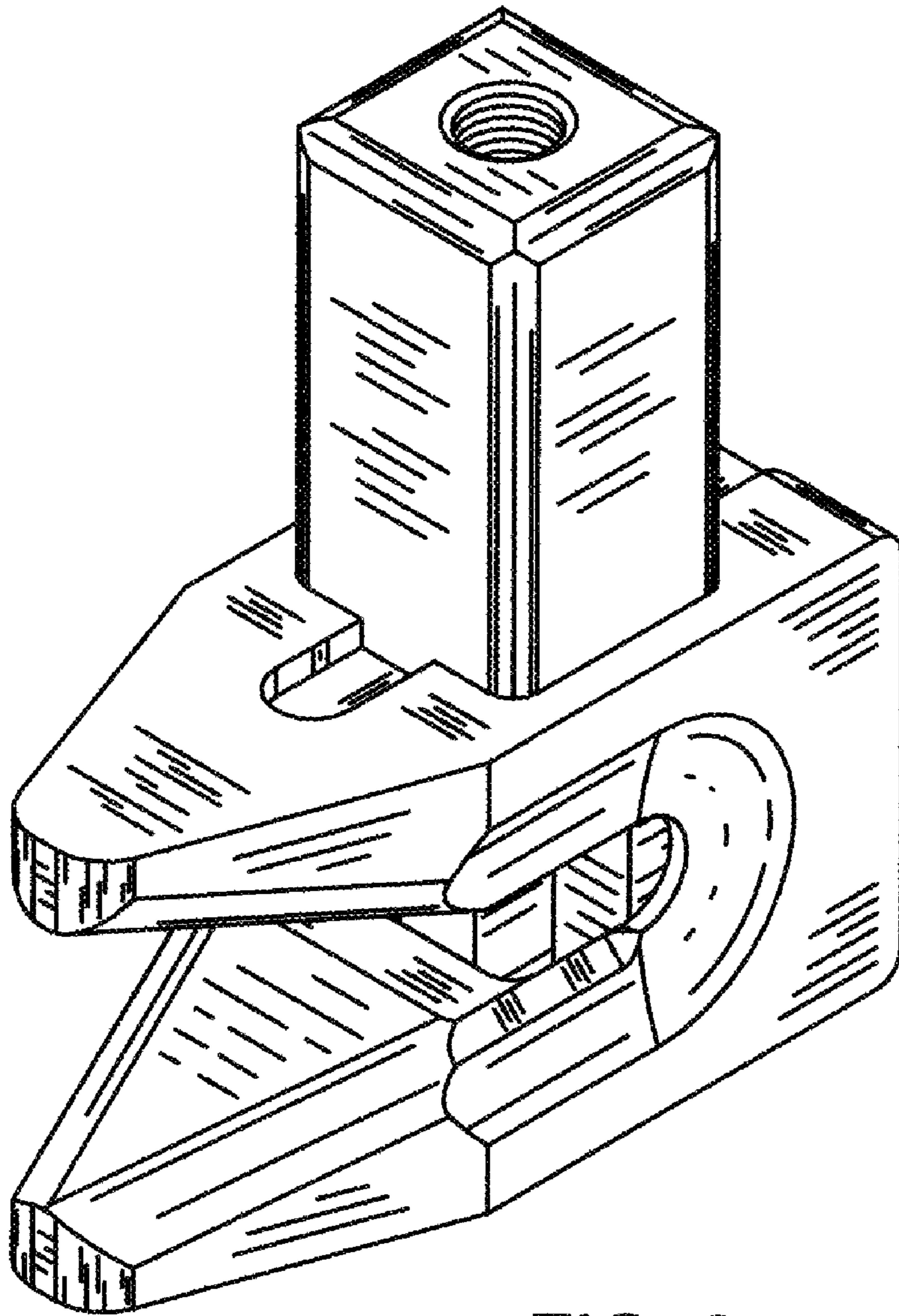


FIG. 8