

US00D664030S

(12) **United States Design Patent**
Kleiber, Jr.

(10) **Patent No.:** **US D664,030 S**
(45) **Date of Patent:** **** Jul. 24, 2012**

(54) **SAUSAGE SINGLE CLIP DECLIPPER**

(76) Inventor: **James Scott Kleiber, Jr.**, Black Creek,
WI (US)

(**) Term: **14 Years**

(21) Appl. No.: **29/410,017**

(22) Filed: **Jan. 3, 2012**

(51) **LOC (9) Cl.** **08-08**

(52) **U.S. Cl.** **D8/394**

(58) **Field of Classification Search** D8/356,
D8/371, 394-396; 24/570, 455, 458, 457;
248/74.2, 215, 227.1, 49, 300, 301, 316.7,
248/51, 489; D19/65, 56; 52/781, 272, 270,
52/266, 285.3, 698, 285.4, 764, 309.12, 582.1,
52/586.1, 309.4; D25/58, 61; 249/219.1,
249/207; 452/49, 50, 51

See application file for complete search history.

(56) **References Cited**

U.S. PATENT DOCUMENTS

D200,198 S *	2/1965	Vilcins et al.	D8/383
D202,294 S *	9/1965	Heifetz	D8/396
D228,877 S *	10/1973	Hirt	D8/394
D231,599 S *	5/1974	Rumble	D8/394
4,418,447 A *	12/1983	Ziolko	452/46
4,463,477 A *	8/1984	Ziolko	452/49

D345,776 S *	4/1994	Williams	D21/793
5,816,903 A *	10/1998	Idziak	452/49
6,645,092 B1 *	11/2003	Hendren	473/408
D551,528 S *	9/2007	Vautour	D8/72
D573,302 S *	7/2008	Donne	D27/183
D575,088 S *	8/2008	Saulnier	D6/547
D583,640 S *	12/2008	Gilham	D8/73

* cited by examiner

Primary Examiner — John Windmuller

(74) *Attorney, Agent, or Firm* — Steven H. Greenfield;
Greenfield Invention and Patent Company, Inc.

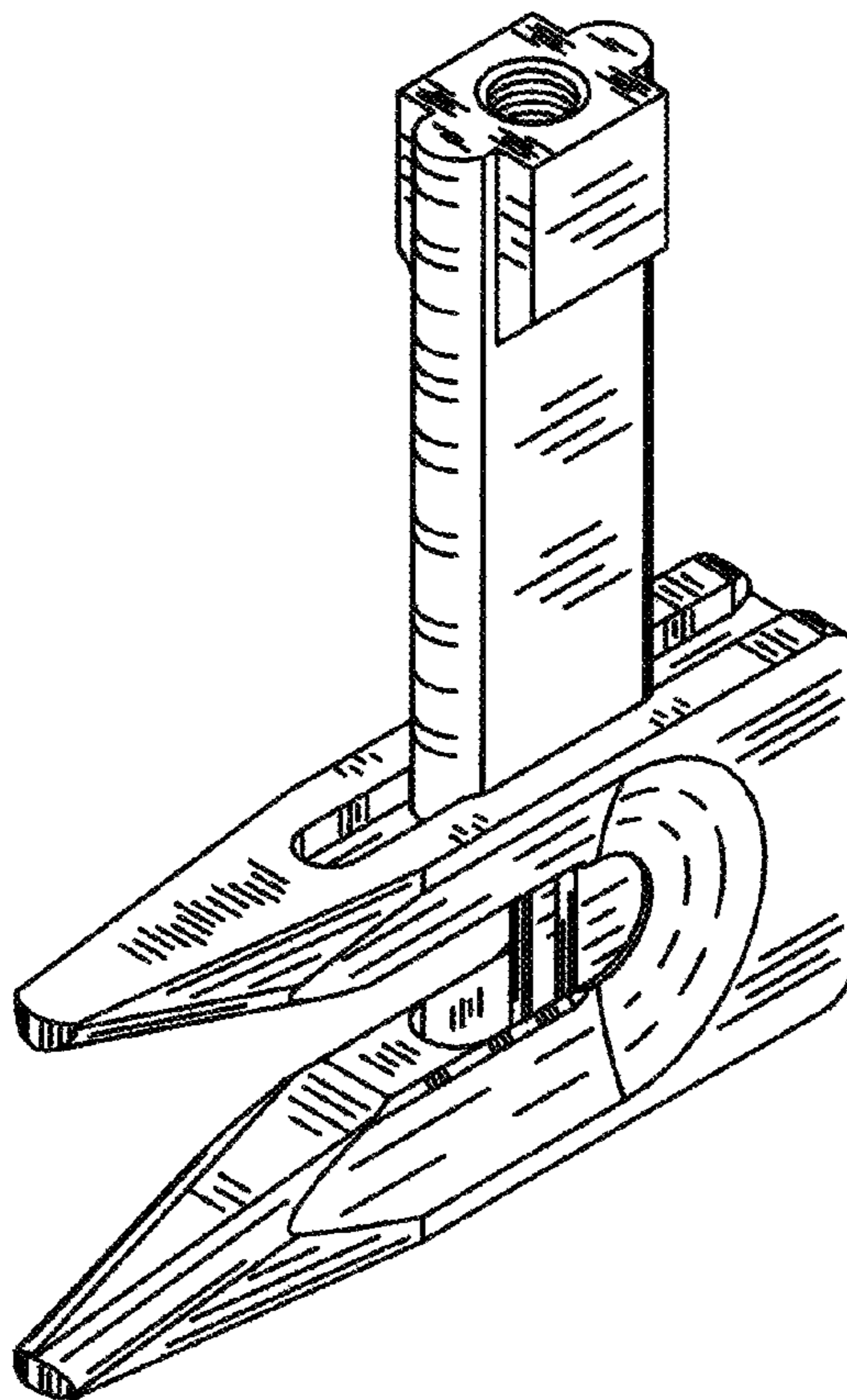
(57) **CLAIM**

The ornamental design for a sausage single clip declipper, as shown and described.

DESCRIPTION

FIG. 1 is a top view of a sausage single clip declipper showing my new design;
FIG. 2 is a bottom view thereof;
FIG. 3 is a first side view thereof;
FIG. 4 is a second side view thereof;
FIG. 5 is a front view thereof;
FIG. 6 is a rear view thereof;
FIG. 7 is a first side perspective view thereof; and,
FIG. 8 is a second side perspective view thereof.

1 Claim, 8 Drawing Sheets



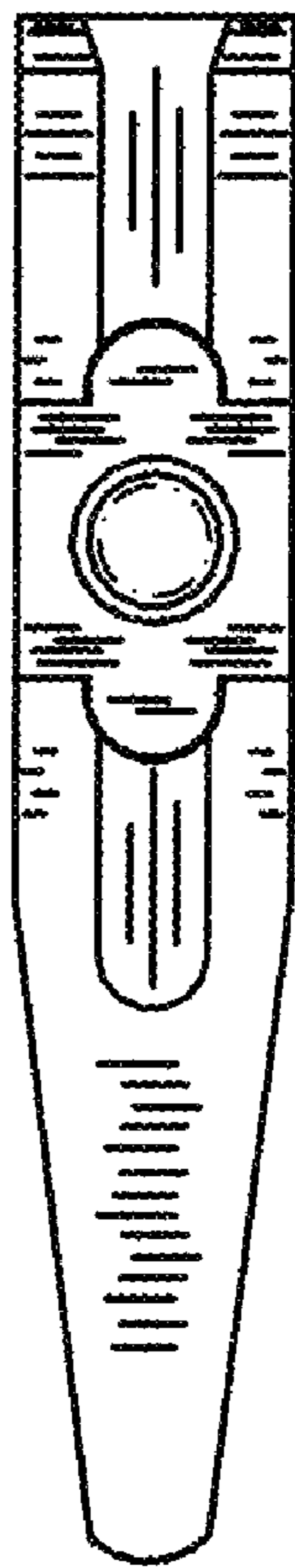


FIG. 1

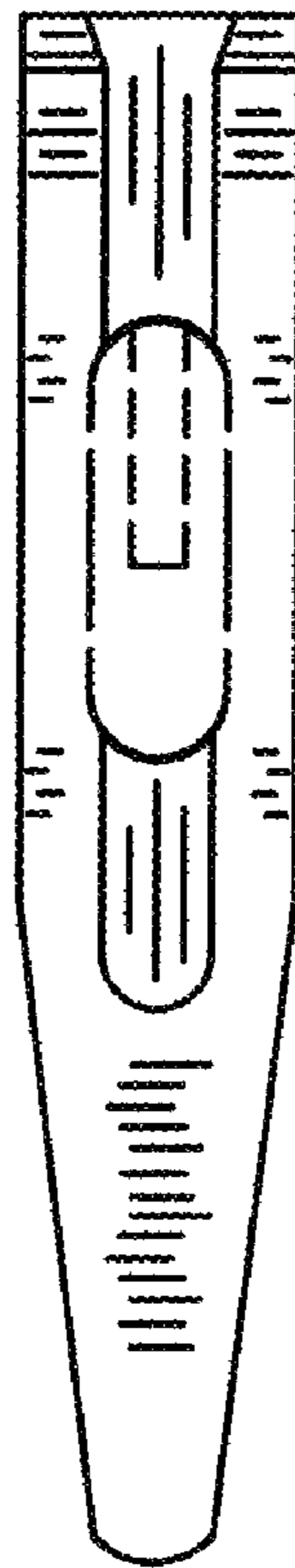


FIG. 2

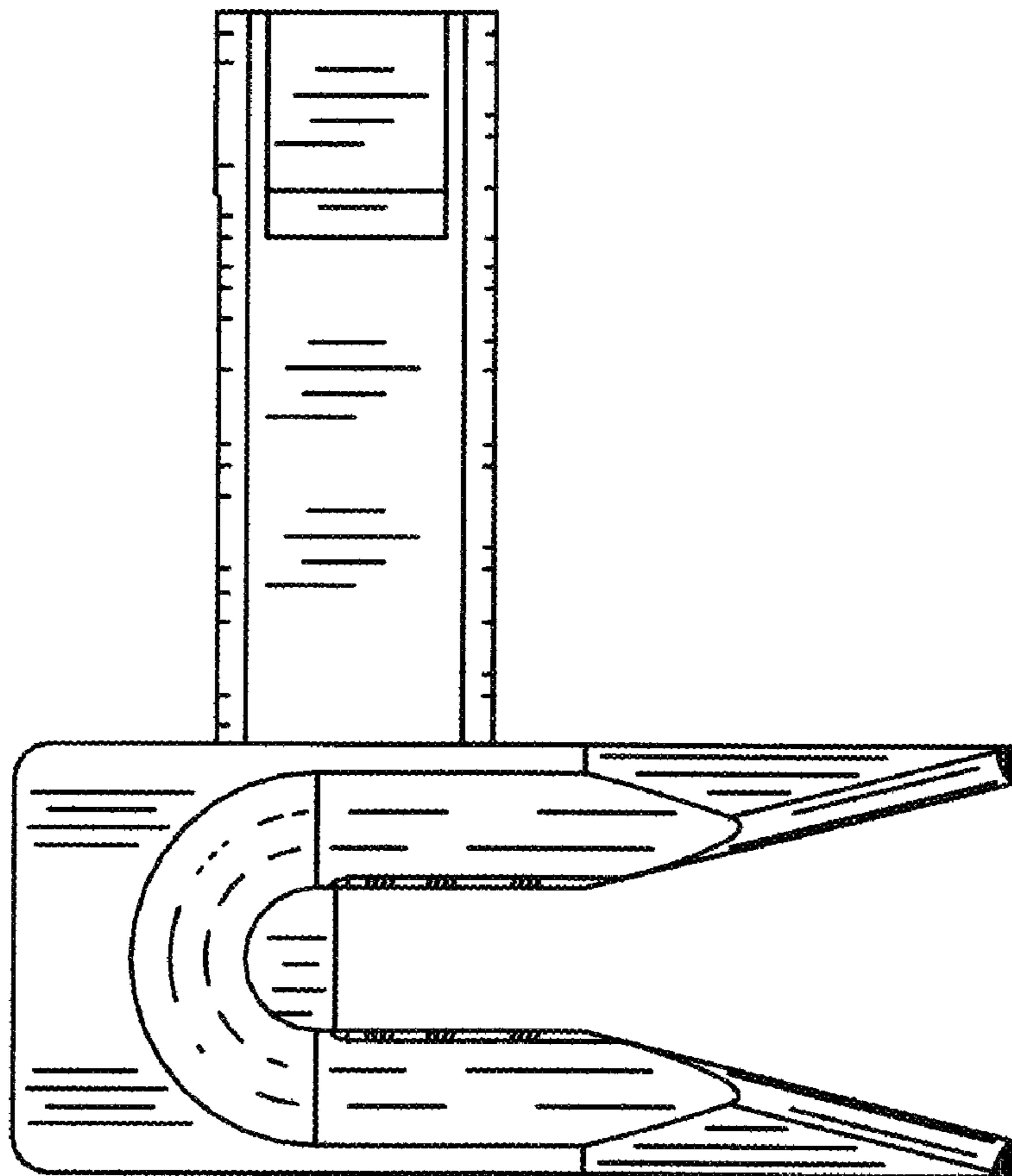


FIG. 3

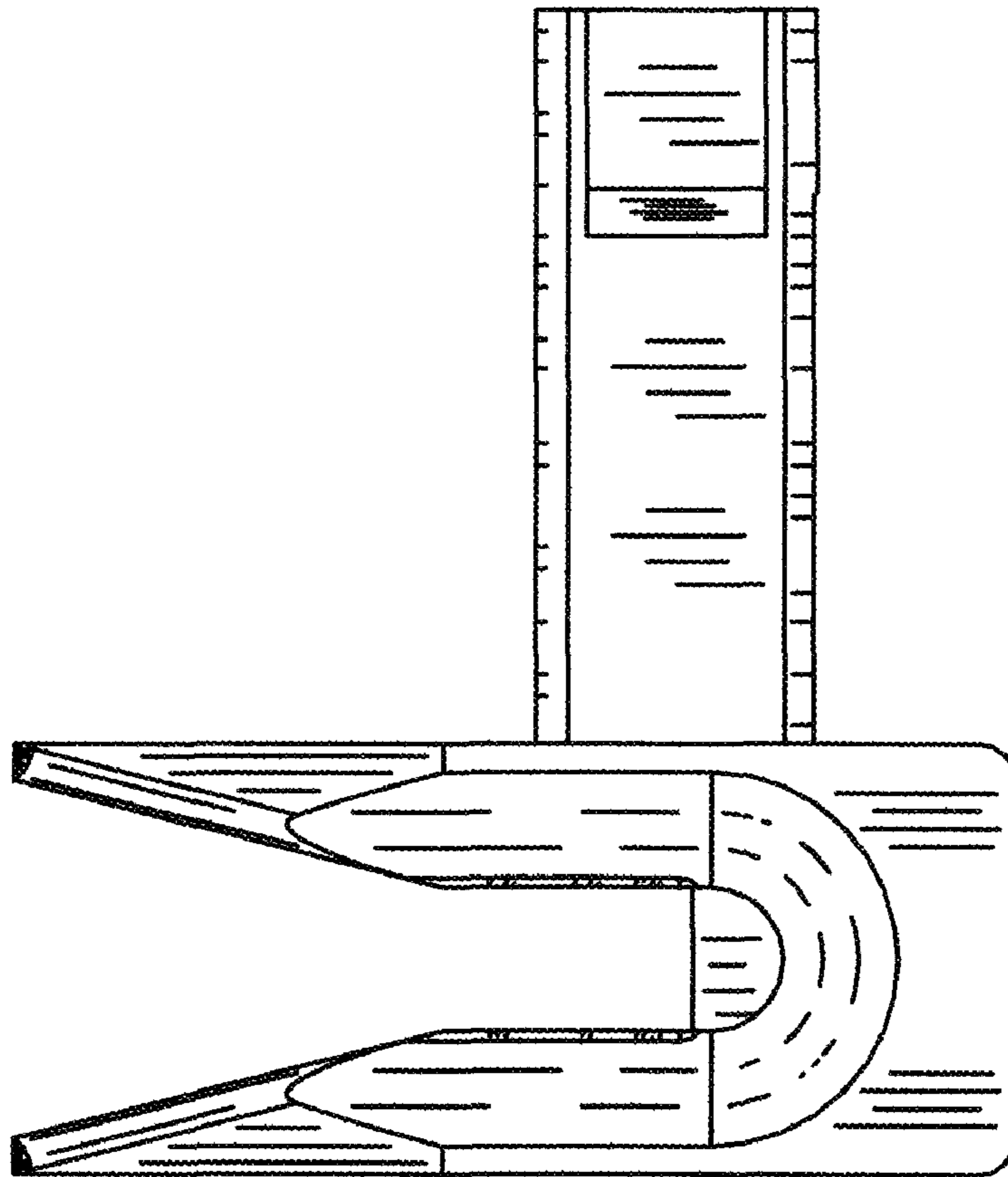


FIG. 4

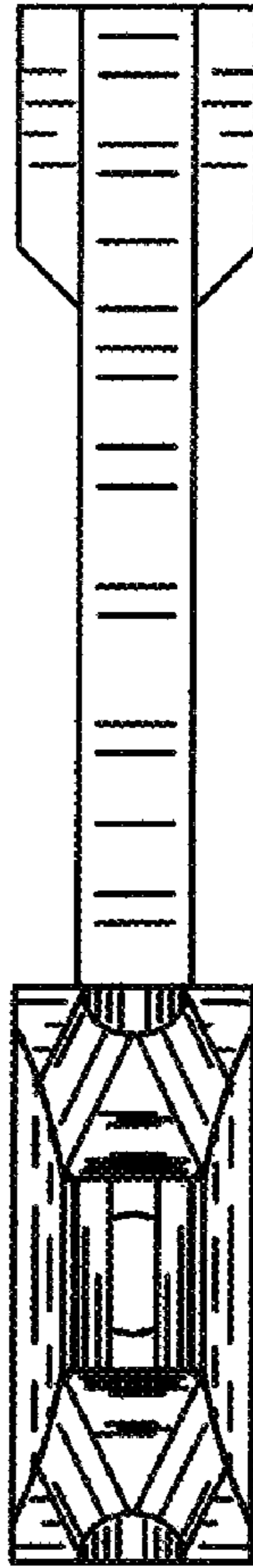


FIG. 5

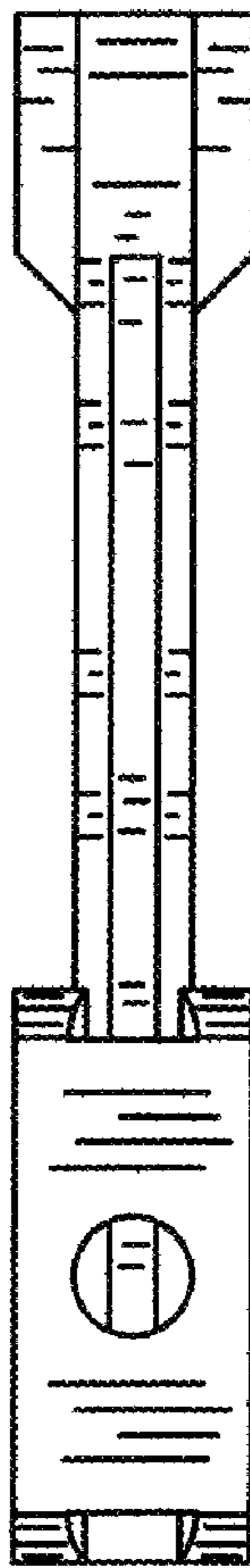


FIG. 6

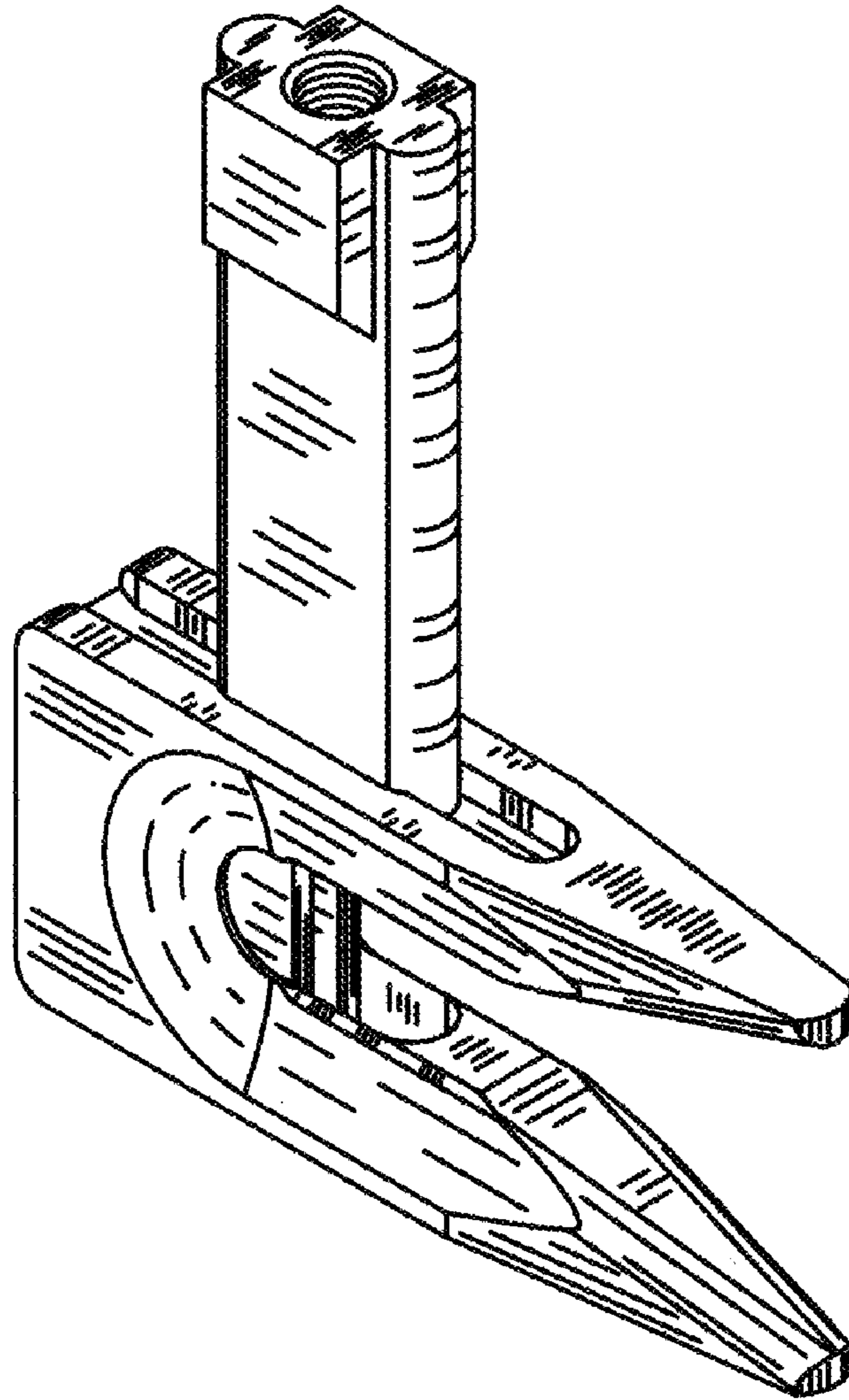


FIG. 7

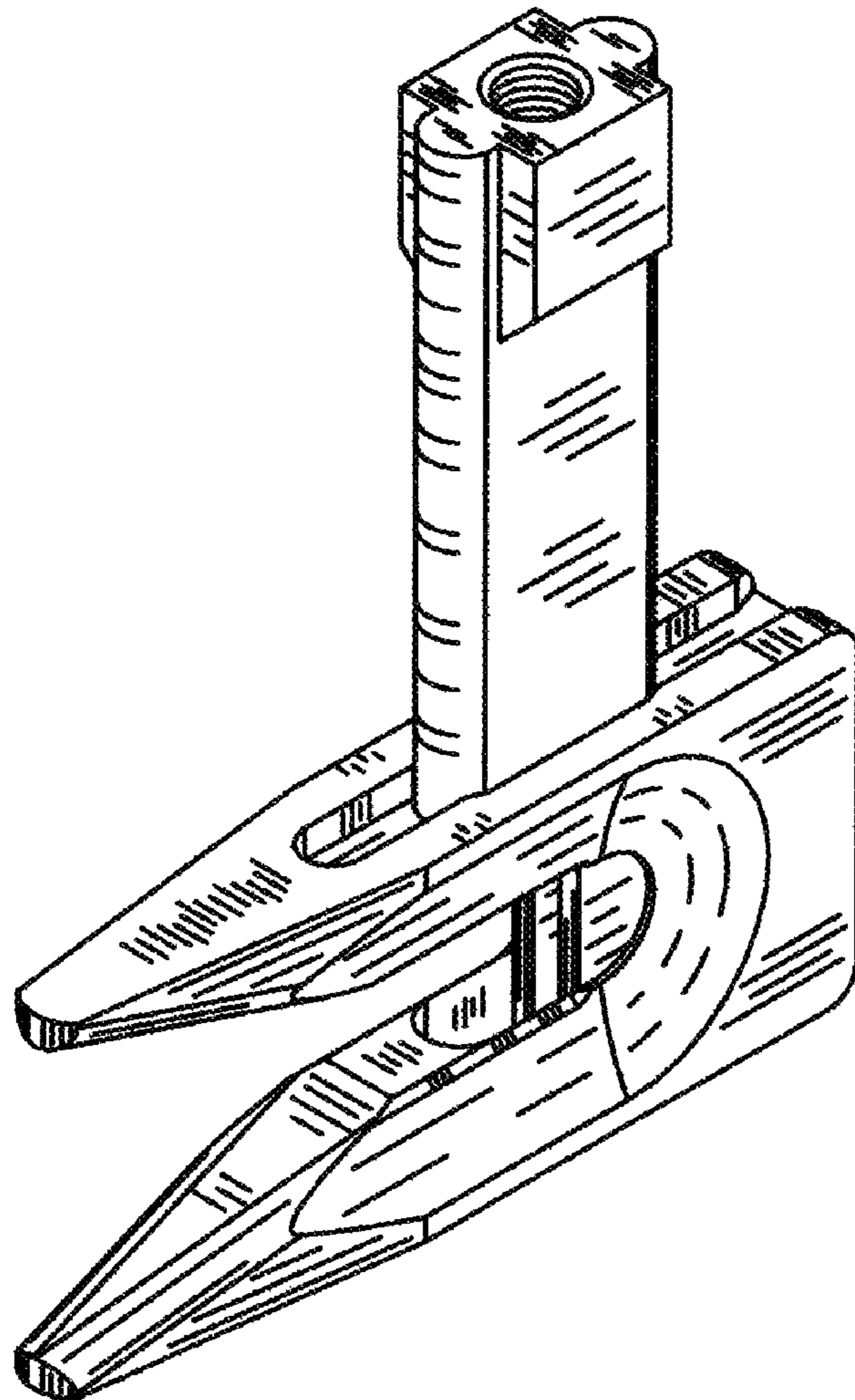


FIG. 8