

US00D664028S

(12) **United States Design Patent**
Stehler

(10) **Patent No.:** **US D664,028 S**
(45) **Date of Patent:** **** Jul. 24, 2012**

(54) **FORMWORK ANCHOR**

(75) Inventor: **Don Stehler**, North Oaks, MN (US)

(73) Assignee: **MiTek Holdings, Inc.**, Wilmington, DE (US)

(**) Term: **14 Years**

(21) Appl. No.: **29/381,689**

(22) Filed: **Dec. 22, 2010**

(51) **LOC (9) Cl.** **08-08**

(52) **U.S. Cl.** **D8/384**

(58) **Field of Classification Search** D8/384,
D8/354; 248/300, 312; 403/232.1, 189,
403/191; 52/712, 714-715, 289, 702, 264,
52/295

See application file for complete search history.

(56) **References Cited**

U.S. PATENT DOCUMENTS

| | | | | | |
|-----------|------|---------|---------|-------|---------|
| 3,945,741 | A * | 3/1976 | Wendt | | 403/191 |
| 4,005,942 | A * | 2/1977 | Gilb | | 403/189 |
| D271,849 | S * | 12/1983 | Kunz | | D8/384 |
| 5,092,097 | A | 3/1992 | Young | | |
| 5,564,248 | A | 10/1996 | Callies | | |
| 5,857,306 | A | 1/1999 | Pellock | | |
| D442,471 | S * | 5/2001 | Willett | | D8/354 |
| 6,230,466 | B1 * | 5/2001 | Pryor | | 52/702 |
| 6,463,711 | B1 | 10/2002 | Callies | | |
| 6,845,594 | B2 * | 1/2005 | Harber | | 52/702 |

| | | | | | |
|-----------|------|---------|----------------|-------|---------|
| D503,231 | S * | 3/2005 | Daugherty | | D24/128 |
| 7,178,305 | B2 | 2/2007 | Petrova | | |
| 7,334,372 | B2 * | 2/2008 | Evans et al. | | 52/289 |
| D563,215 | S * | 3/2008 | Collins et al. | | D8/384 |
| D646,559 | S * | 10/2011 | Near | | D8/384 |

* cited by examiner

Primary Examiner — Sheryl Lane

(74) *Attorney, Agent, or Firm* — Senniger Powers LLP

(57) **CLAIM**

I claim the ornamental design for a formwork anchor, as shown and described.

DESCRIPTION

FIG. 1 is a perspective view of a formwork anchor according to the present invention.

FIG. 2 is a back view of the anchor of FIG. 1.

FIG. 3 is a side view of the anchor of FIG. 1, the opposing side view being a mirror image thereof.

FIG. 4 is a front view of the anchor of FIG. 1.

FIG. 5 is top view of the anchor of FIG. 1, the bottom view being a mirror image thereof.

FIG. 6 is a perspective view of a plurality of the anchors of FIG. 1 in position with a section of formwork; and,

FIG. 7 is a perspective view of the anchor of FIG. 1 in position at a seam of formwork.

The broken lines are for the purpose of illustrating portions of the article and form no part of the claimed design.

1 Claim, 7 Drawing Sheets

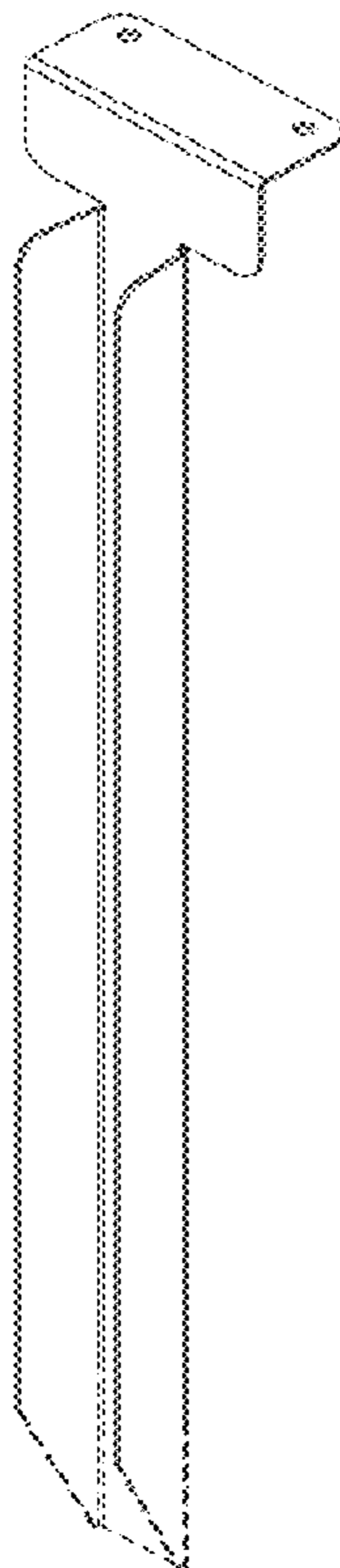


FIG. 1

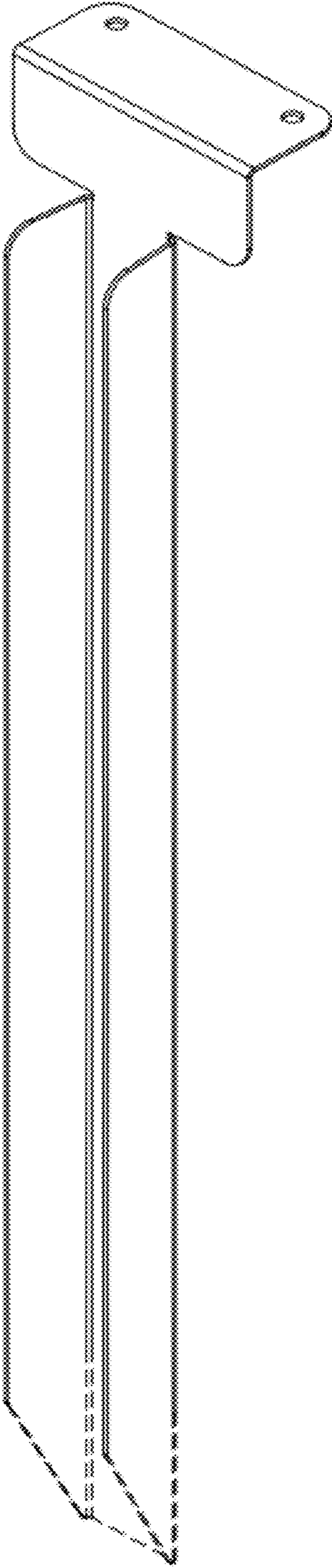


FIG. 2

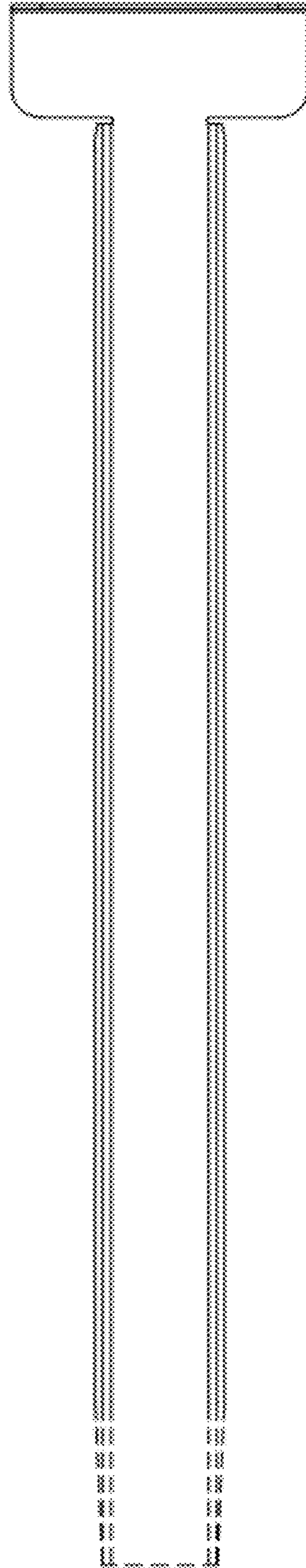


FIG. 3

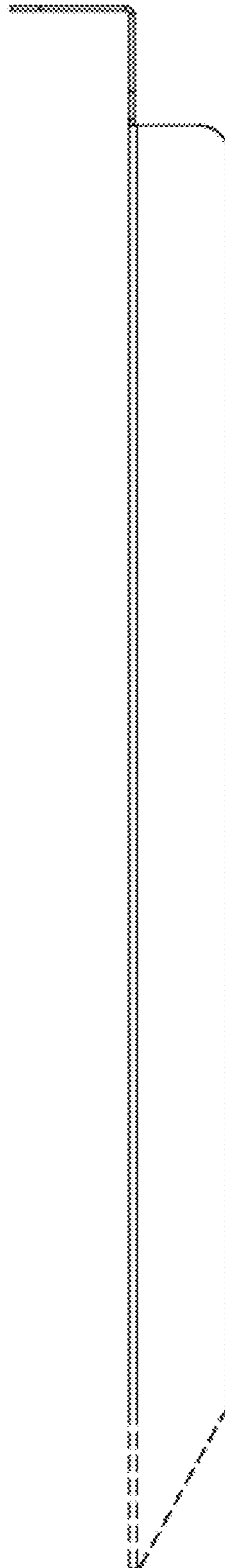


FIG. 4

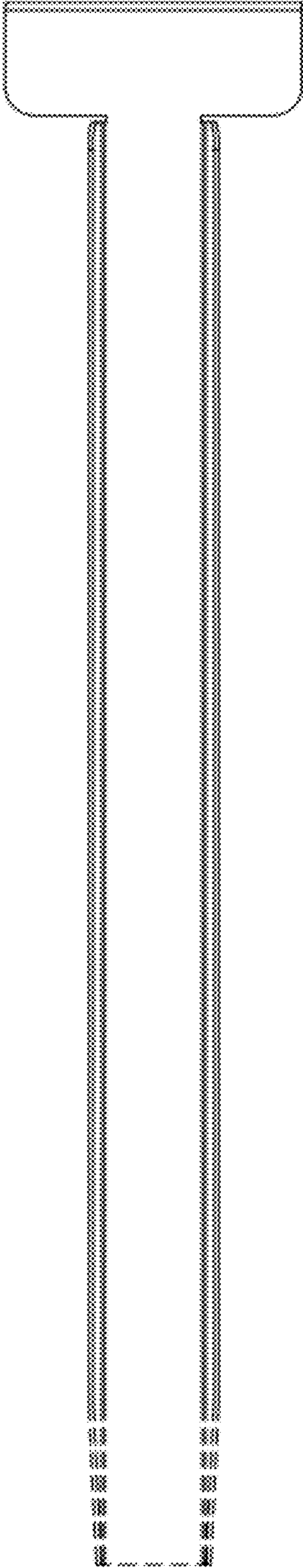
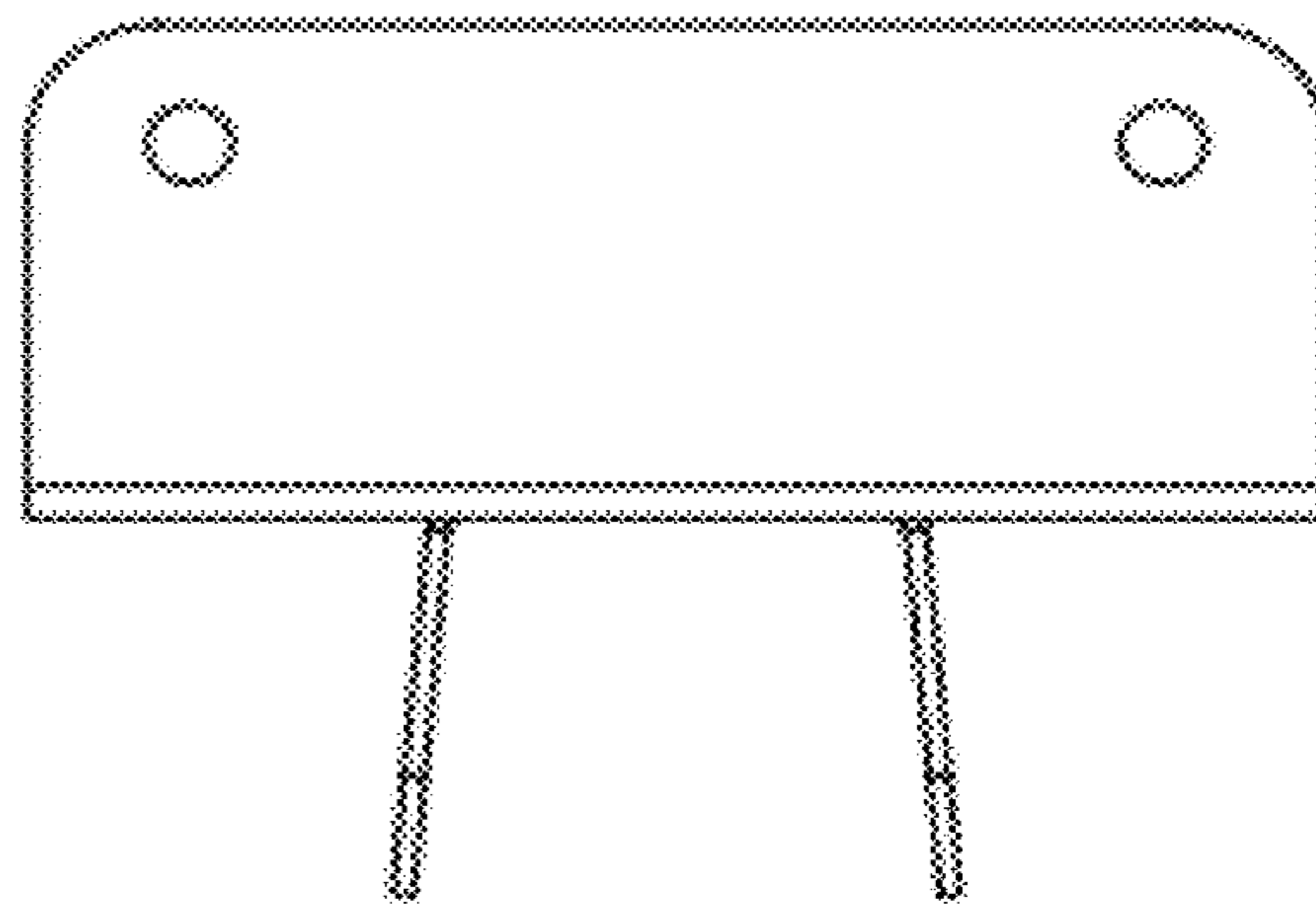


FIG. 5



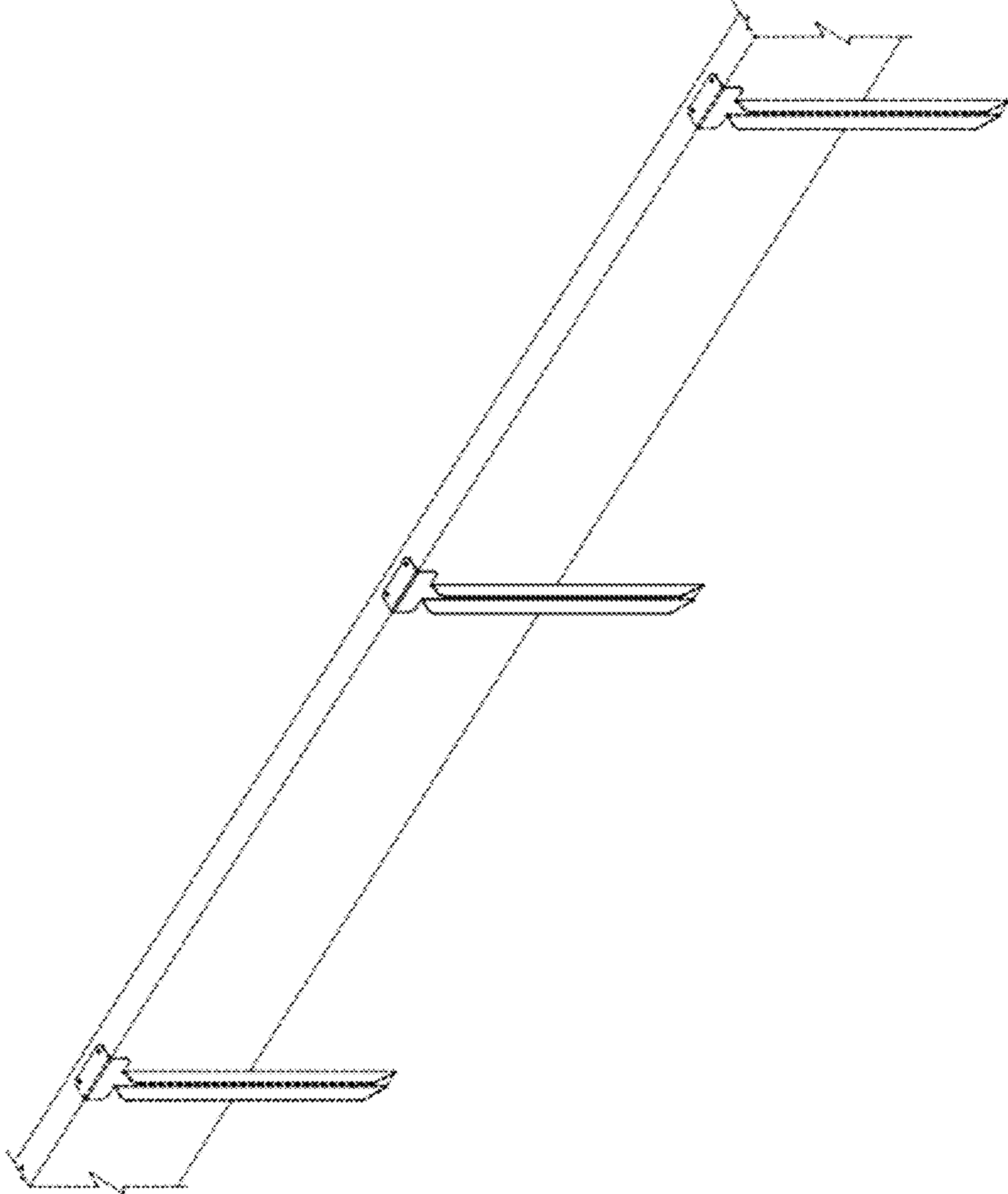


FIG. 6

FIG. 7

