



US00D664027S

(12) **United States Design Patent**
Vosika et al.

(10) **Patent No.:** **US D664,027 S**
(45) **Date of Patent:** **** Jul. 24, 2012**

(54) **ELECTRIFIED WIRE FENCE COUPLER**

(76) Inventors: **Corey Vosika**, Aberdeen, SD (US); **Neil Bellikka**, Aberdeen, SD (US)

(**) Term: **14 Years**

(21) Appl. No.: **29/397,139**

(22) Filed: **Jul. 12, 2011**

(51) **LOC (9) Cl.** **08-08**

(52) **U.S. Cl.** **D8/382**

(58) **Field of Classification Search** D8/382,
D8/349; 411/508–510, 45; 403/345; 24/453,
24/297; D24/155

See application file for complete search history.

(56) **References Cited**

U.S. PATENT DOCUMENTS

2,956,605	A *	10/1960	Rapata	411/531
3,749,820	A	7/1973	Langlie et al.		
3,957,250	A	5/1976	Murphy		
4,028,489	A	6/1977	Berg, Jr. et al.		
4,049,905	A	9/1977	Maranell		
4,070,007	A	1/1978	Minor et al.		
D247,801	S *	5/1978	Bulanda et al.	D8/349
4,684,107	A	8/1987	Robbins, Jr.		
4,692,567	A	9/1987	Crum		
4,883,923	A	11/1989	Langlie et al.		
5,085,409	A	2/1992	Teixeira		
D378,349	S *	3/1997	Saito et al.	D8/382
D381,258	S *	7/1997	Saito	D8/382

D416,189	S *	11/1999	Bollman	D8/382
6,380,490	B1	4/2002	Gaston		
D467,161	S *	12/2002	Klenck et al.	D8/385
7,549,829	B2 *	6/2009	Okada et al.	411/508
D629,105	S *	12/2010	Horton	D24/155
D629,520	S *	12/2010	Horton	D24/155
D629,904	S *	12/2010	Horton	D24/155
D632,550	S *	2/2011	Watanabe	D8/382
D635,451	S *	4/2011	Sekine	D8/382
D648,210	S *	11/2011	Reynoso	D8/382
2010/0200826	A1	8/2010	Olsson et al.		

* cited by examiner

Primary Examiner — Sheryl Lane

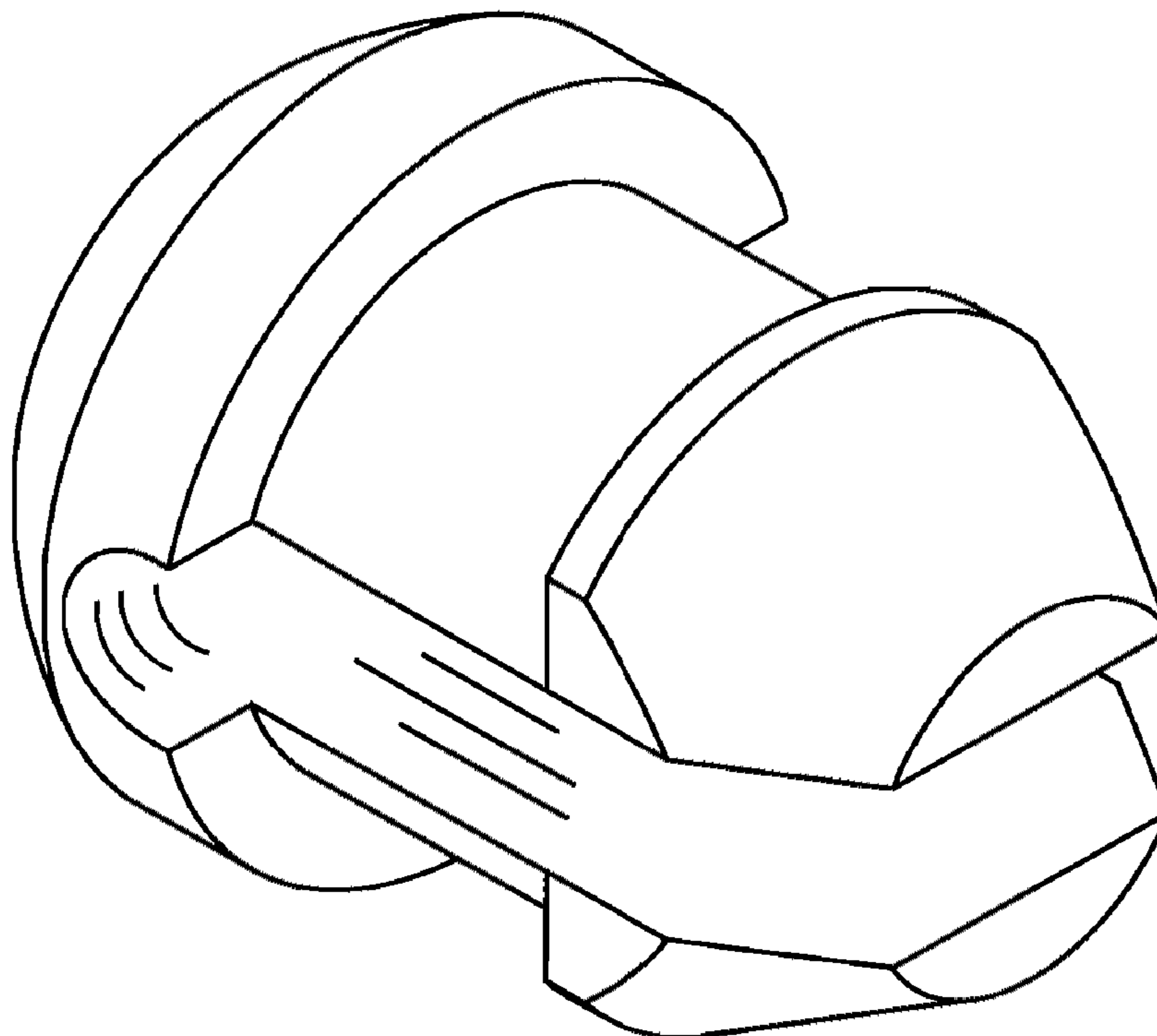
(57) **CLAIM**

The ornamental design for a electrified wire fence coupler, as shown and described.

DESCRIPTION

FIG. 1 is a front isometric view of a electrified wire fence coupler showing my new design;
 FIG. 2 is a right elevated view of the electrified wire fence coupler, the opposite side being a mirror of the image shown;
 FIG. 3 is a rear elevated view of the electrified wire fence coupler;
 FIG. 4 is a top plan view of the electrified wire fence coupler, the bottom side being a mirror of the image shown; and,
 FIG. 5 is a rear perspective plan view of the electrified wire fence coupler. The portions shown in broken lines are included for the purpose of showing environment and form no part of the claimed design.

1 Claim, 5 Drawing Sheets



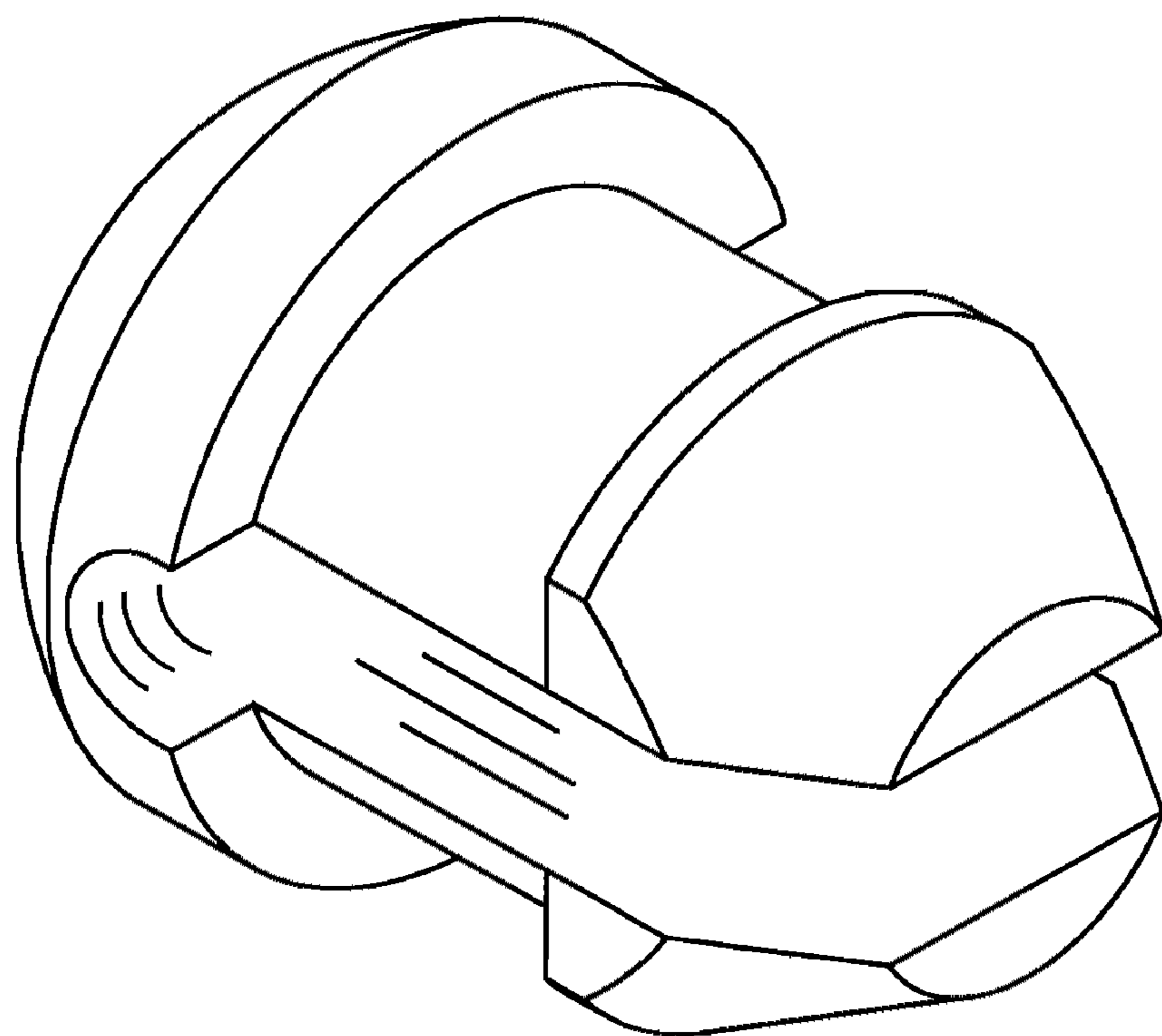


FIG. 1

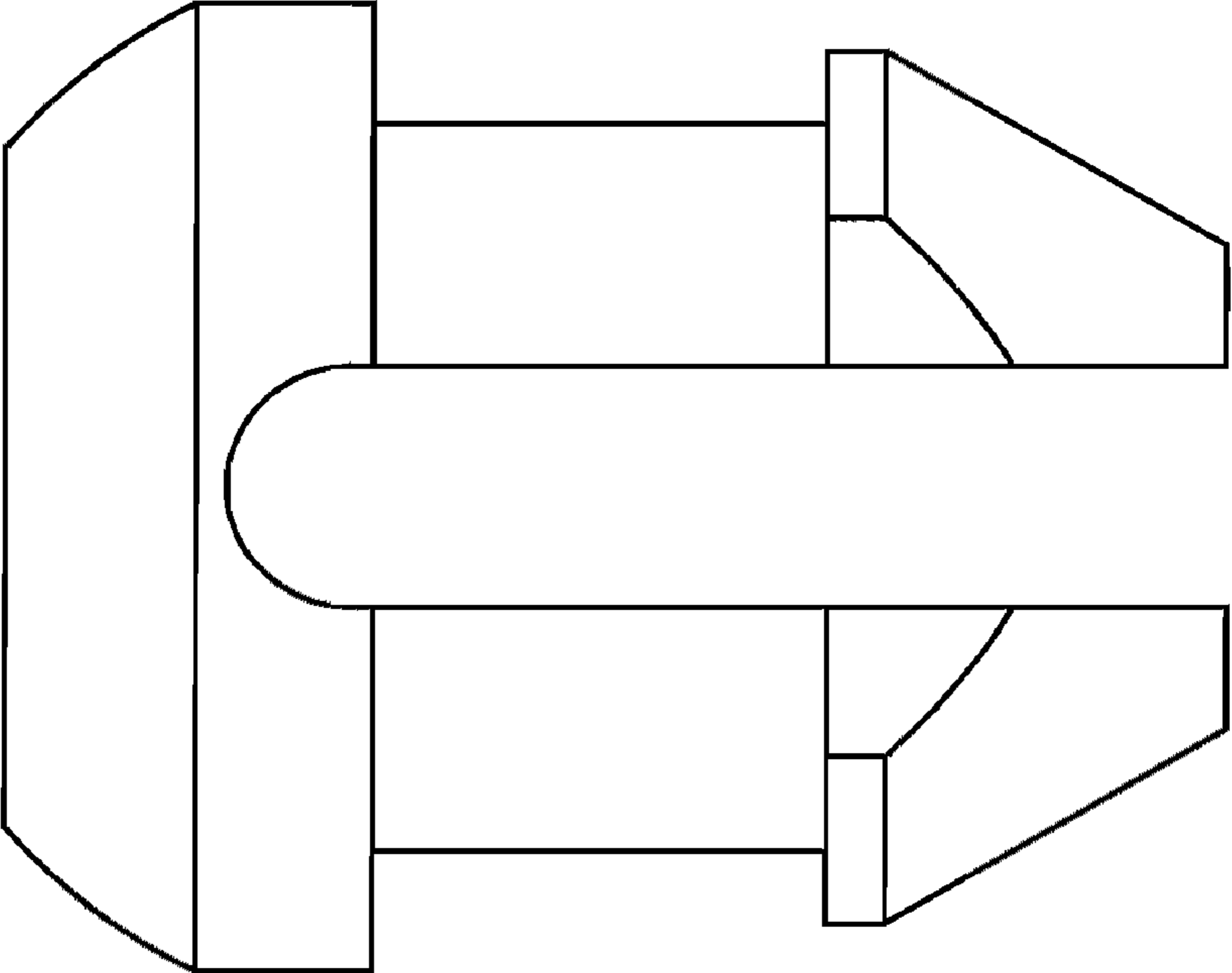


FIG. 2

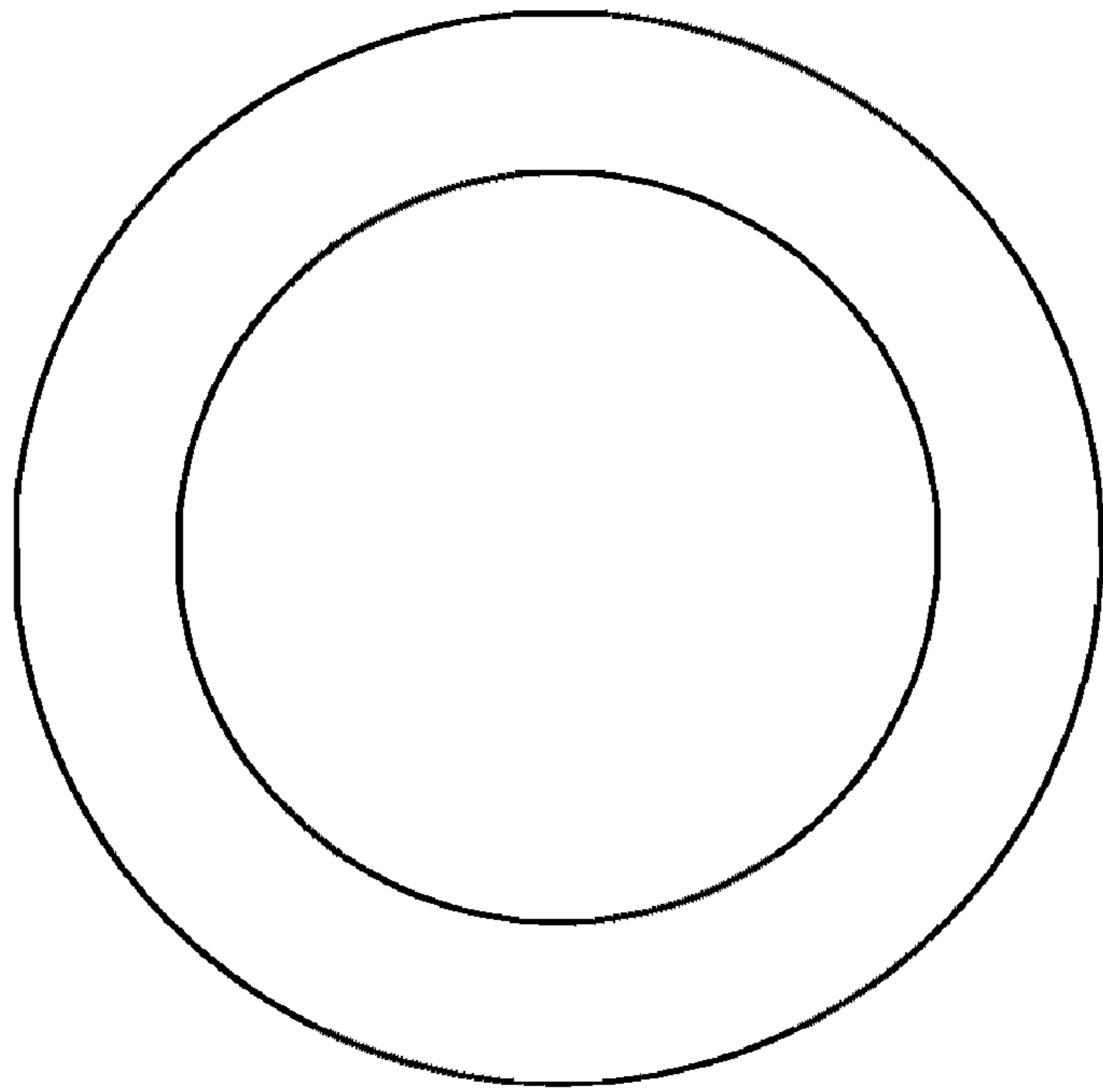


FIG. 3

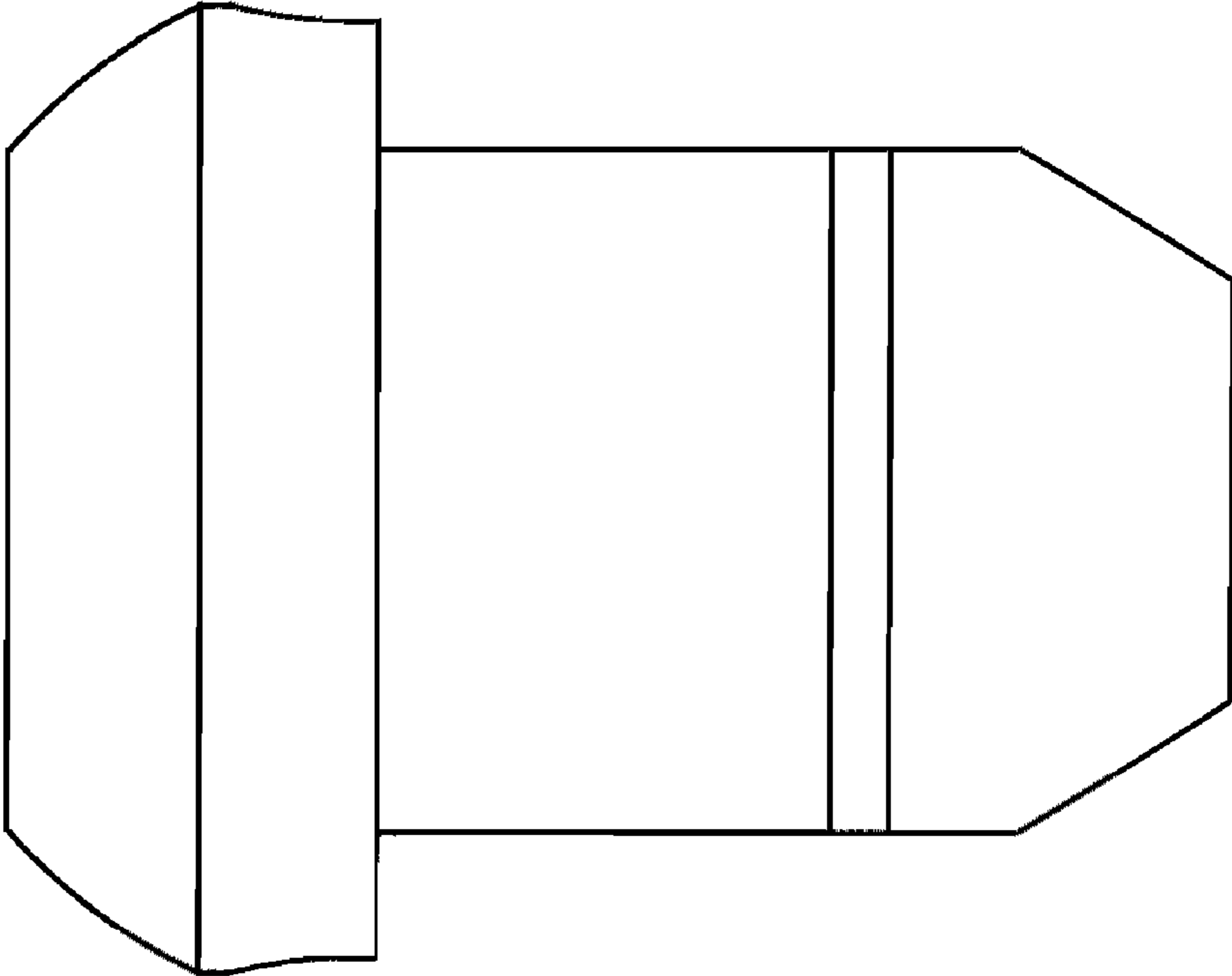


FIG. 4

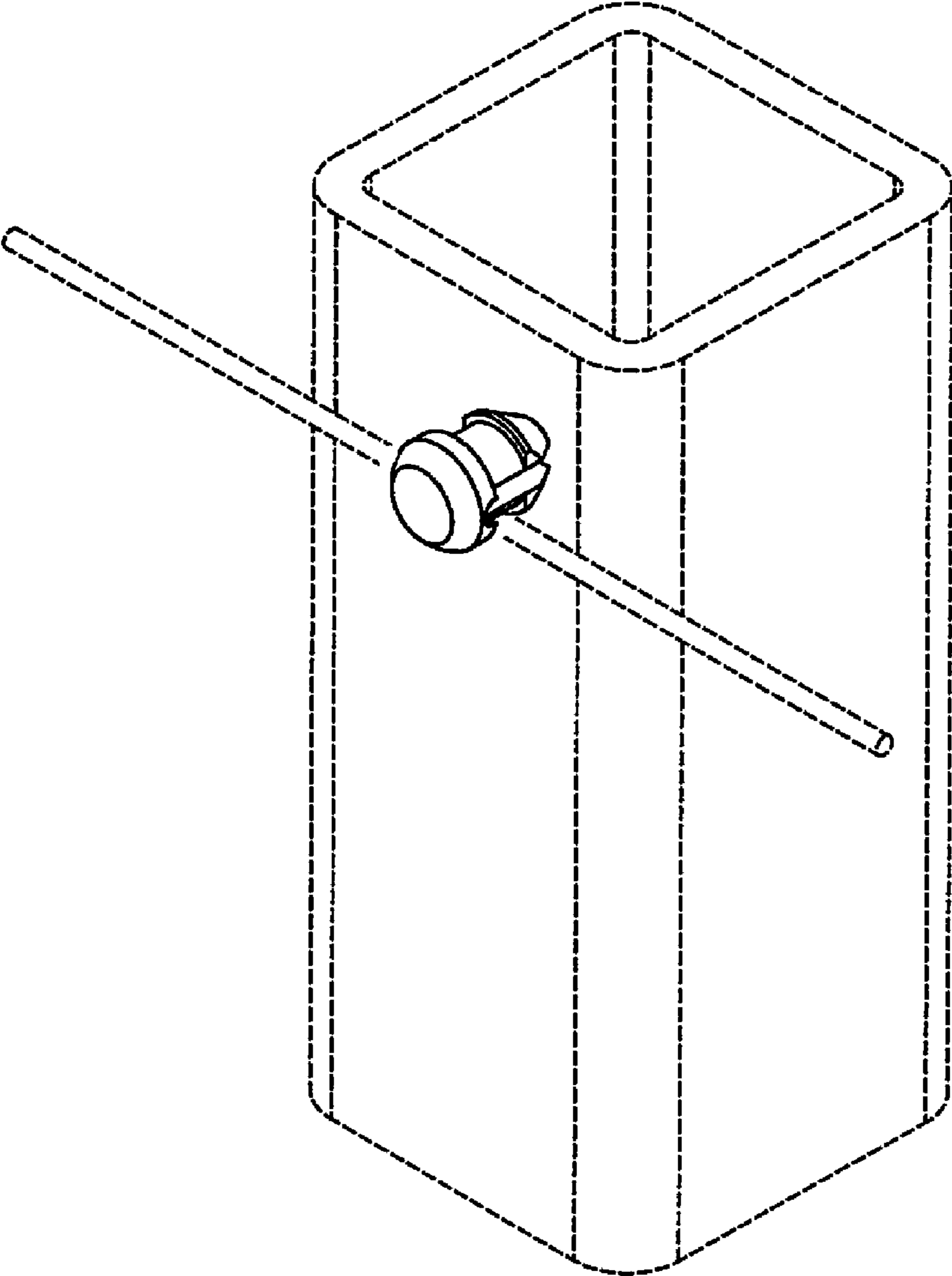


FIG. 5