



US00D664026S

(12) **United States Design Patent**
Zalzalalah

(10) **Patent No.:** **US D664,026 S**
(45) **Date of Patent:** **** Jul. 24, 2012**

(54) **HOSE REEL CONSTRUCTION**

(75) Inventor: **James H. Zalzalalah**, Oregon, IL (US)

(73) Assignee: **Plews, Inc.**, Dixon, IL (US)

(**) Term: **14 Years**

(21) Appl. No.: **29/407,005**

(22) Filed: **Nov. 22, 2011**

(51) **LOC (9) Cl.** **08-05**

(52) **U.S. Cl.** **D8/359**

(58) **Field of Classification Search** D8/381,
D8/380, 373, 363, 359, 358, 354, 350, 349;
D34/17; D14/253; D13/154; D12/211;
D10/72; 33/769; 248/264, 251, 916; 242/608.8,
242/608.4, 601, 600, 570, 395, 370; 137/355.27,
137/355.23; 104/113

See application file for complete search history.

FOREIGN PATENT DOCUMENTS

EP 2330065 6/2011
(Continued)

OTHER PUBLICATIONS

Ames, "ReelEasy Poly Hose Cart with Hose Guide," www.ames.com, Nov. 18, 2011, pp. 1-2, New York, NY.

(Continued)

Primary Examiner — Raphael Barkai

Assistant Examiner — Randall Gholson

(74) *Attorney, Agent, or Firm* — Banner & Witcoff, Ltd.

(57) **CLAIM**

The ornamental design of a hose reel, as shown and described.

(56) **References Cited**

U.S. PATENT DOCUMENTS

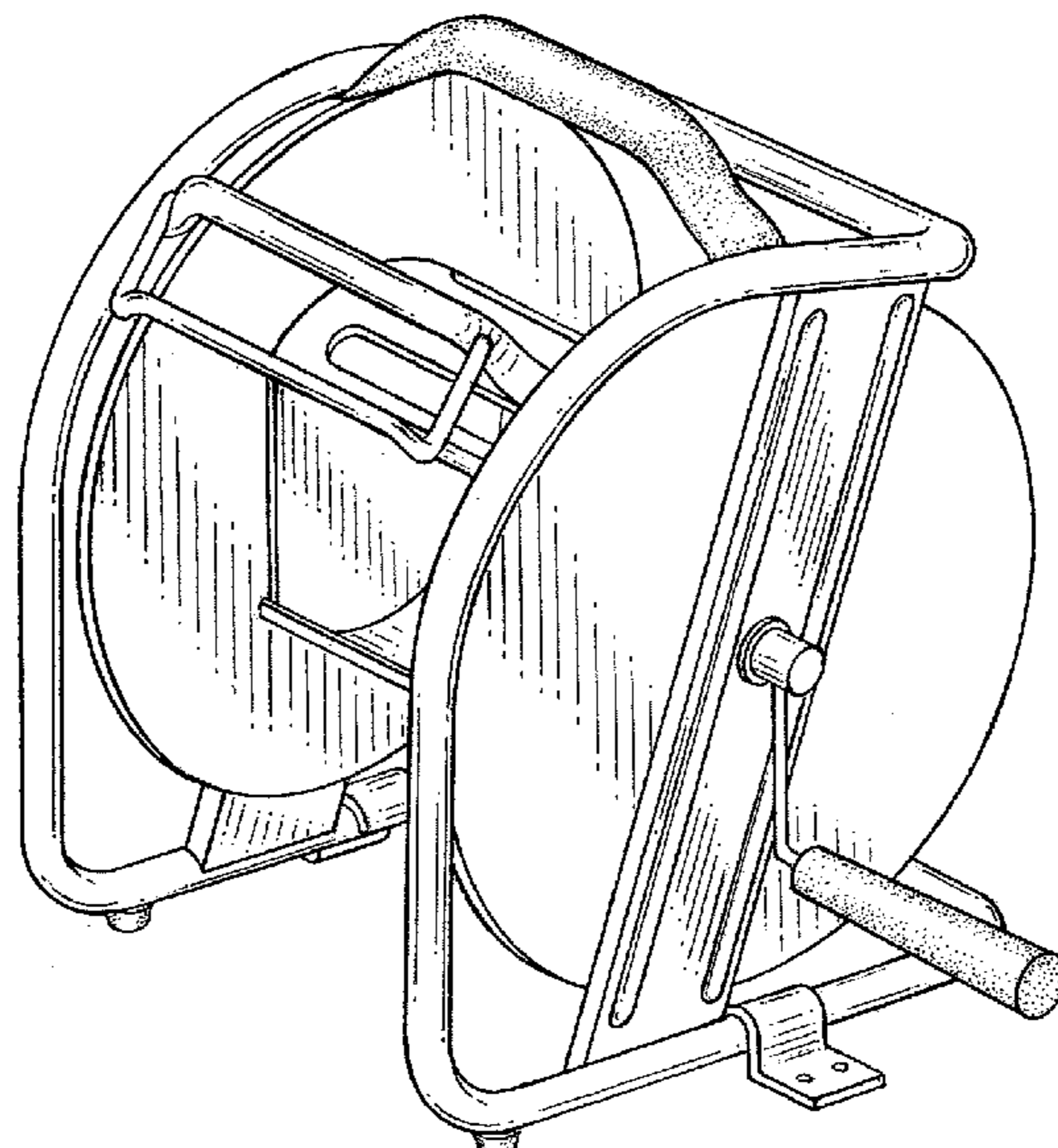
2,071,174 A	2/1937	Parker	
D147,372 S *	8/1947	Marsh	D8/359
2,488,425 A	11/1949	Morrone	
D163,094 S	5/1951	Connor	
D164,546 S	8/1951	Becker	
2,907,534 A	10/1959	Benstein	
4,137,939 A	2/1979	Chow	
4,251,038 A	2/1981	Gename	
4,540,017 A	9/1985	Prange	
D285,901 S *	9/1986	Gustavsson	D8/359
D288,496 S	2/1987	Brownlie	
4,777,976 A	10/1988	Johnston et al.	
D308,608 S	6/1990	Arnold	
D330,506 S *	10/1992	Clivio	D8/358
D334,882 S *	4/1993	Bunch	D8/359
D357,827 S	5/1995	Schultz	
5,462,298 A	10/1995	Bodine	
5,505,404 A	4/1996	Dubreuil	

(Continued)

DESCRIPTION

FIG. 1. is an isometric view of the hose reel of the invention; FIG. 2 is an isometric view of the hose reel of the invention viewed from the side opposite the view of FIG. 1; FIG. 3 is a top plan view of the hose reel design of the invention; FIG. 4 is a side elevation of the hose reel viewed in the direction of the arrow in FIG. 3; FIG. 5 is an end view of the design of the hose reel in the direction of the arrow in FIG. 4; FIG. 6 is an end view of the hose reel opposite to the view depicted in FIG. 5; FIG. 7 is a side elevation opposite the side elevation of FIG. 4; and, FIG. 8 is a bottom plan view of the hose reel design of the invention.

1 Claim, 4 Drawing Sheets



US D664,026 S

Page 2

U.S. PATENT DOCUMENTS

5,666,992 A 9/1997 Robins
D390,095 S * 2/1998 Spear et al. D8/359
5,901,730 A 5/1999 Tisbo et al.
5,988,552 A 11/1999 Tisbo et al.
D483,248 S * 12/2003 Roman D8/359
D490,693 S * 6/2004 McMillan D8/359
D494,843 S 8/2004 Muller
D496,255 S * 9/2004 Kovacic et al. D8/359
6,908,058 B2 6/2005 Moon et al.
D518,361 S * 4/2006 Jassenoff D8/358
7,073,529 B1 7/2006 Harkey
7,108,218 B2 9/2006 Chapman et al.
7,344,103 B1 3/2008 Eley
D570,573 S * 6/2008 Arcati et al. D34/24
7,461,807 B2 12/2008 Mosher
D586,202 S * 2/2009 Zhang D8/359
D586,203 S * 2/2009 Zhang D8/359

7,992,648 B2 8/2011 Groonwald
2004/0251368 A1 12/2004 Wu
2006/0006270 A1 1/2006 Tanji
2006/0186255 A1 8/2006 Rooker
2010/0282339 A1 11/2010 Richardson
2011/0030812 A1 2/2011 McKimmy et al.
2011/0220756 A1 9/2011 Mosher et al.

FOREIGN PATENT DOCUMENTS

JP 2010260727 11/2010
WO WO 2011088320 A2 7/2011

OTHER PUBLICATIONS

Suncast, "Suncast Slide Trak Hose Reel—Hosemobile Hose Reel Cart," www.suncast.com, Nov. 18, 2011, pp. 3-14, Batavia, IL.

* cited by examiner

FIG.1

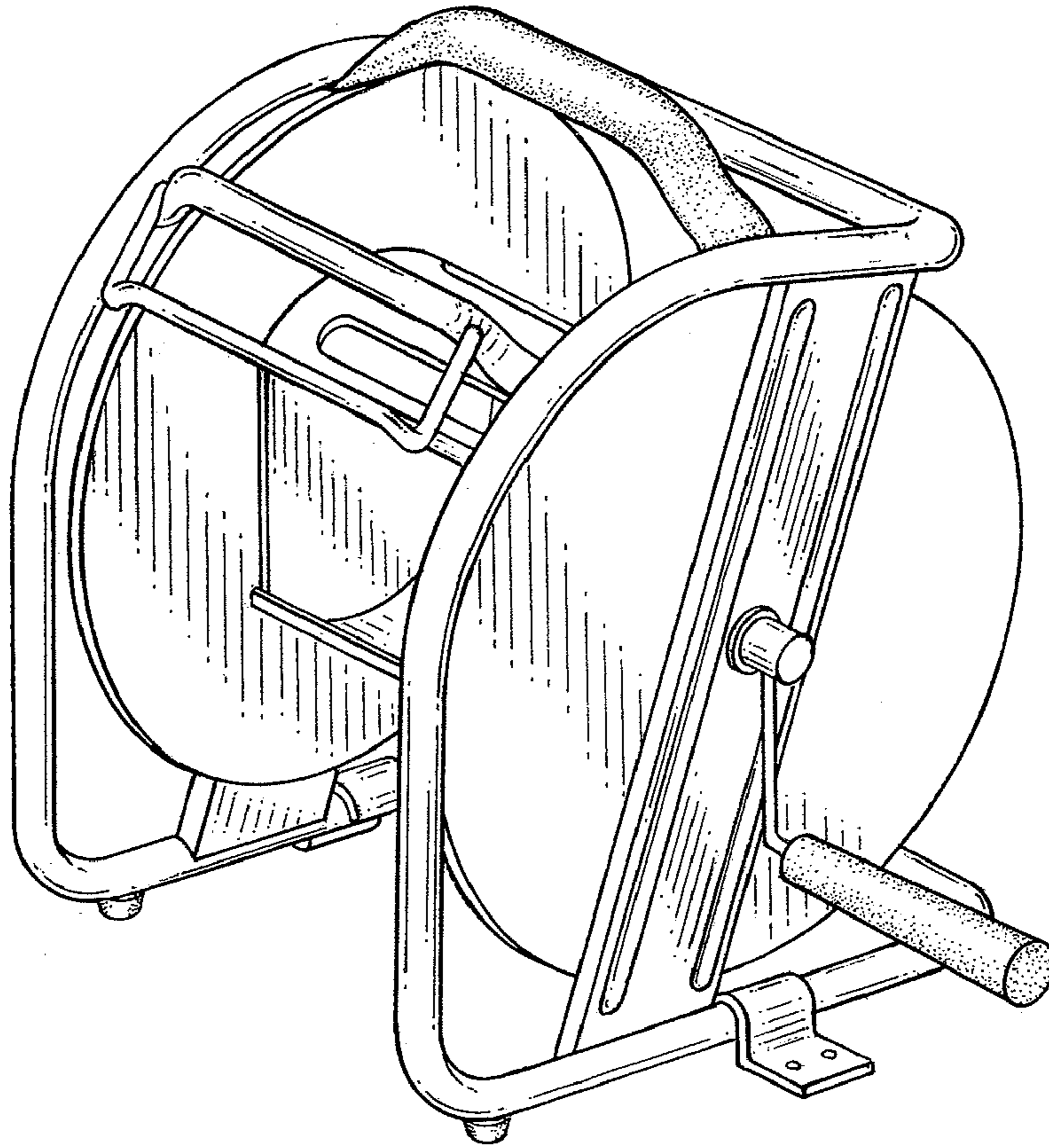


FIG.2

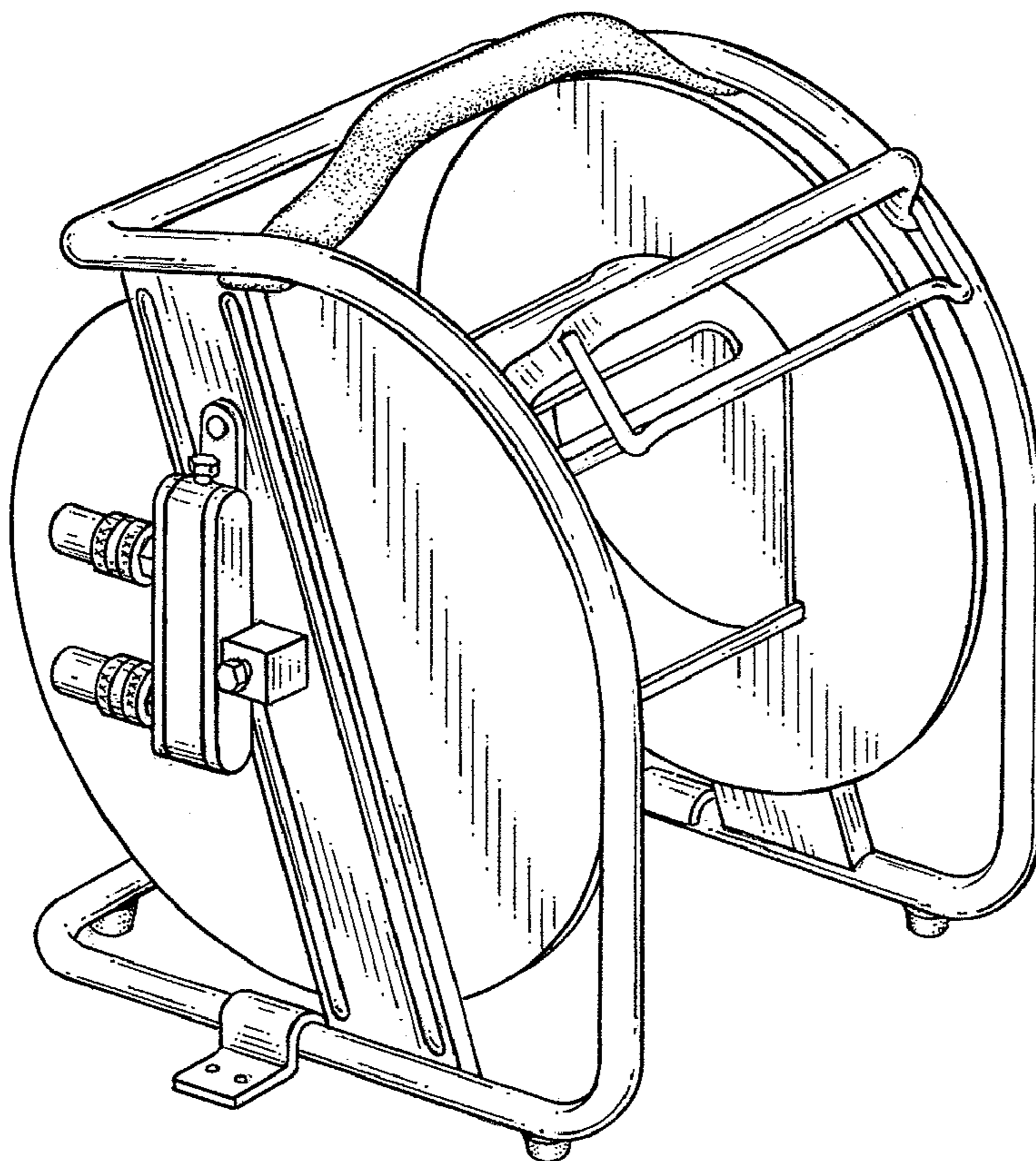


FIG.3

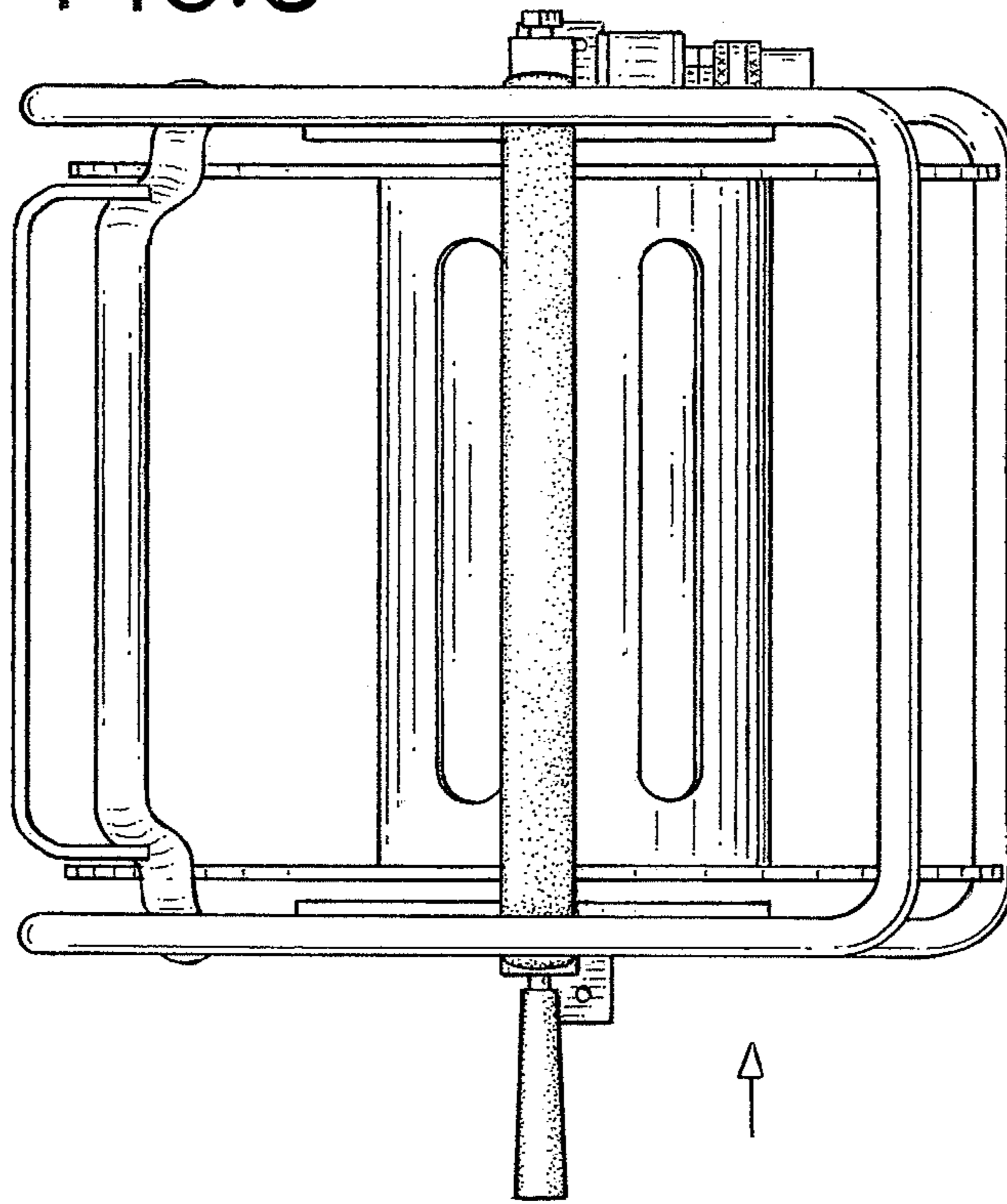


FIG.4

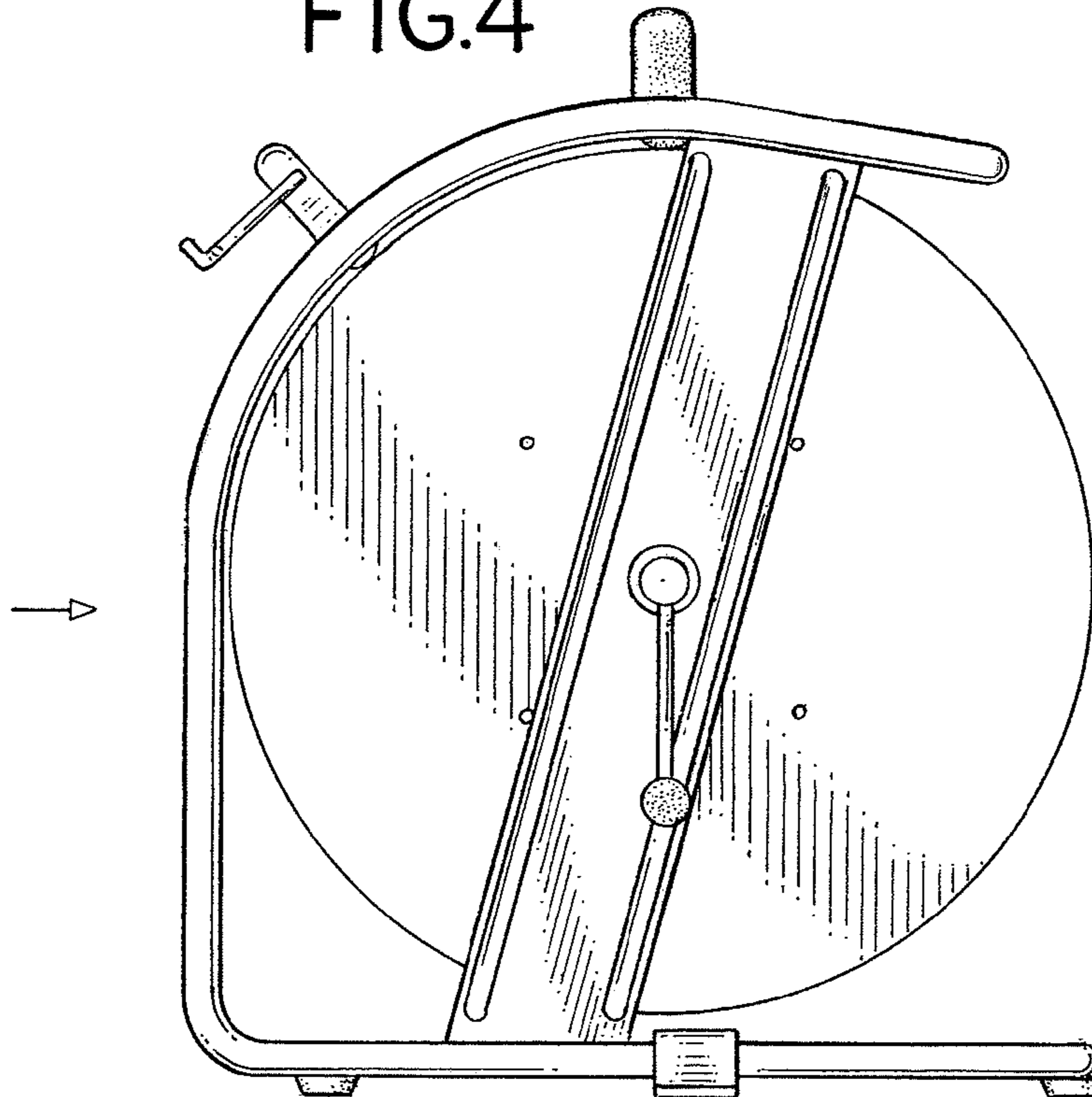


FIG.5

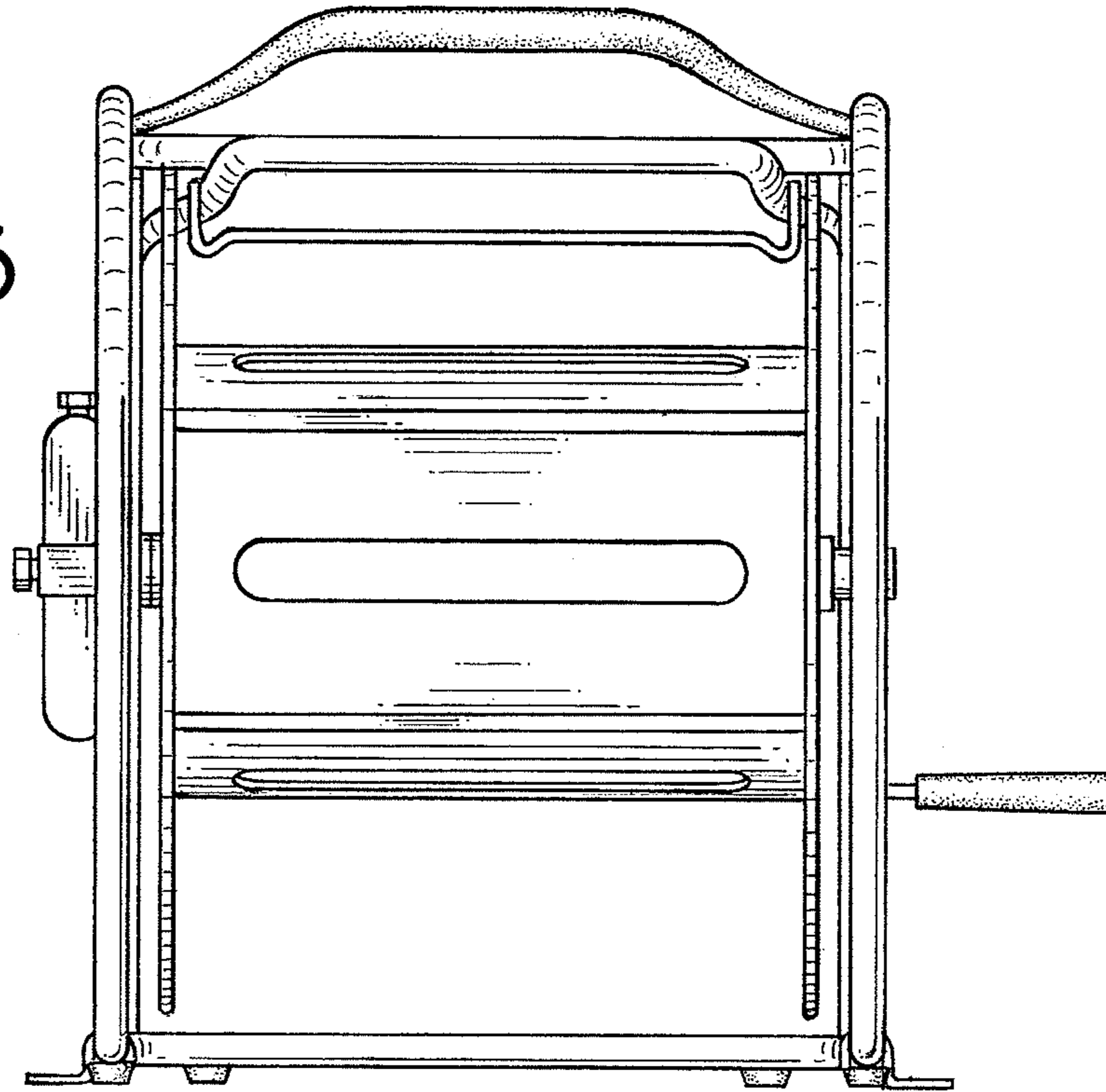


FIG.6

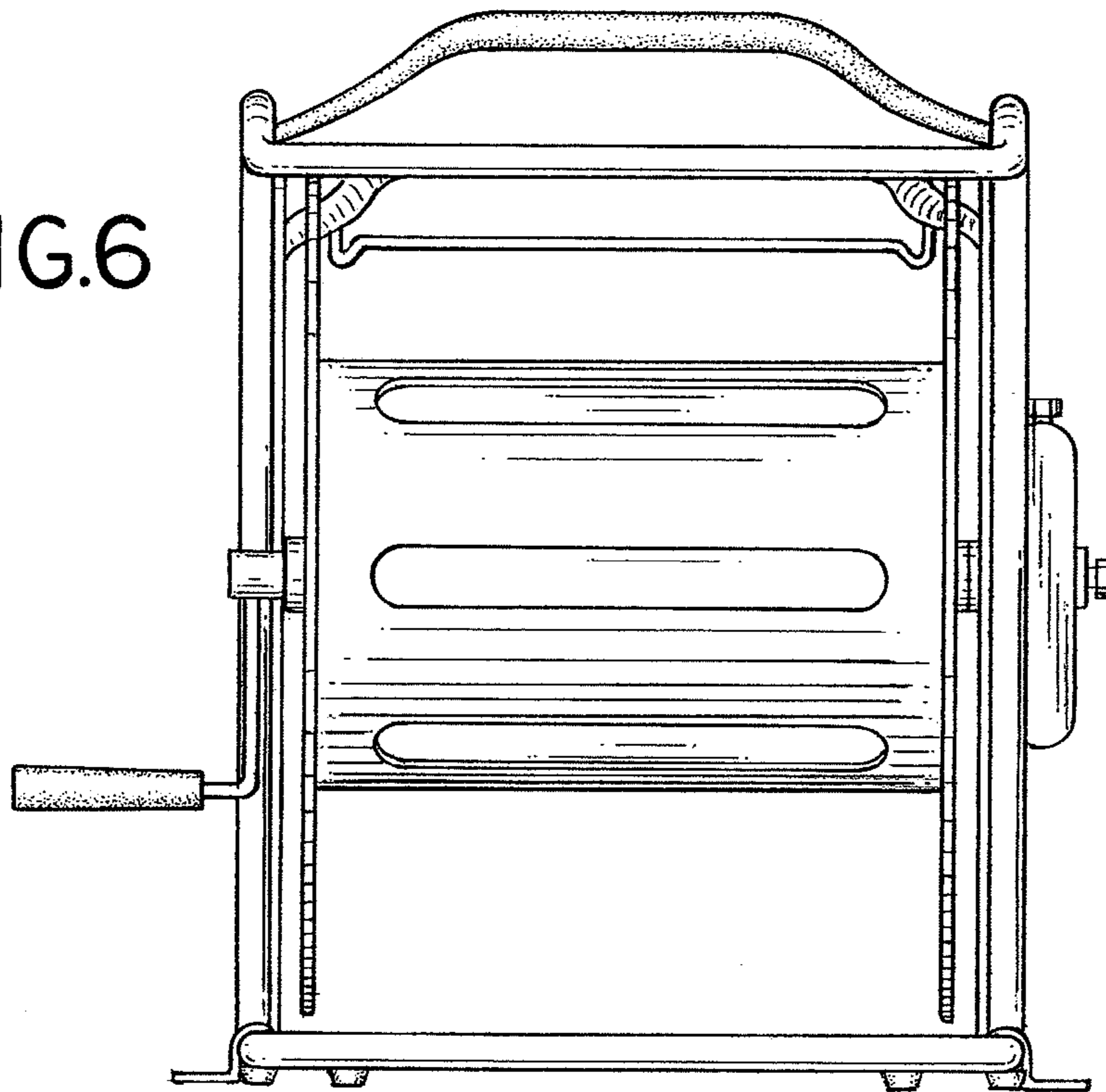


FIG.7

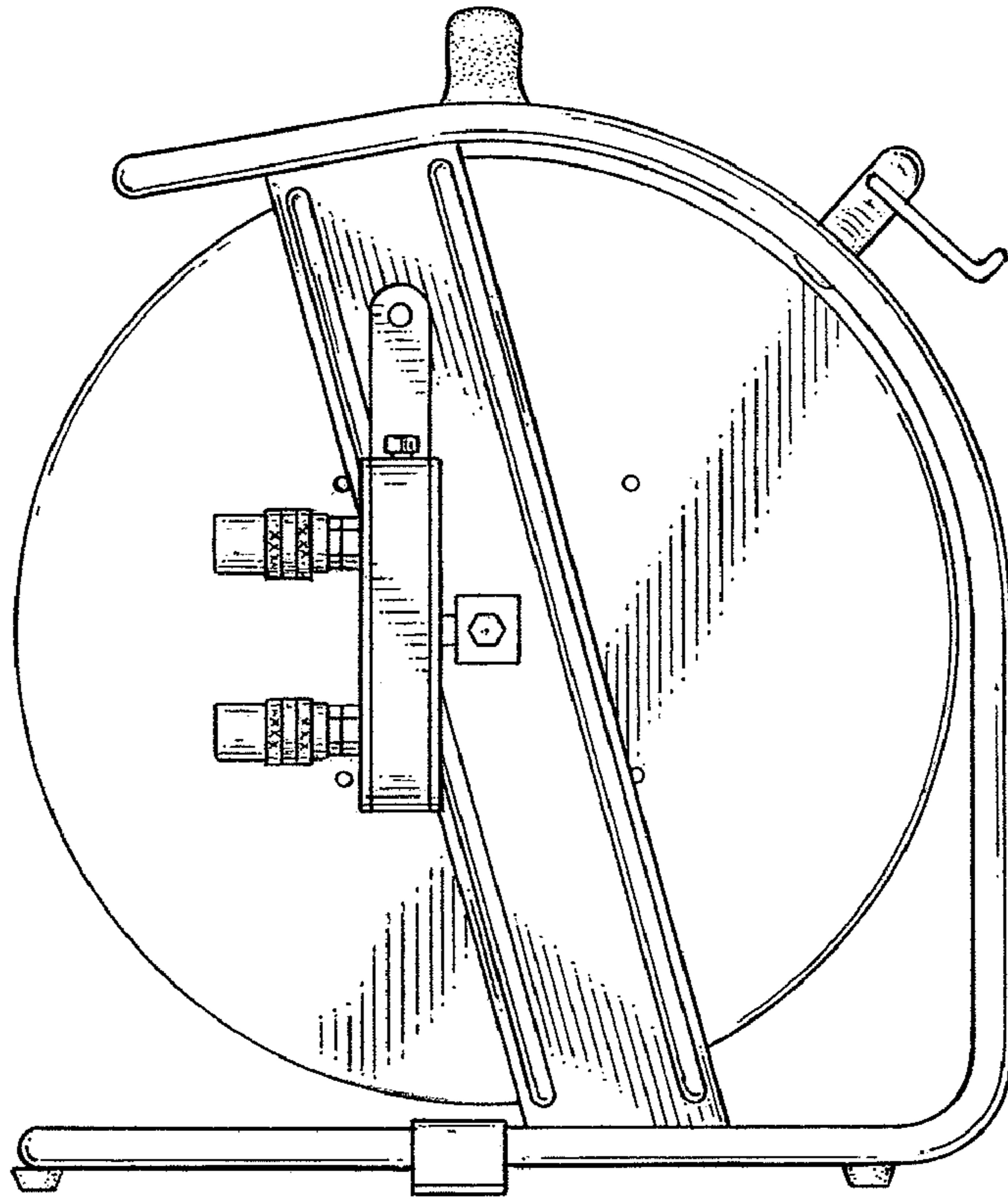


FIG.8

