

US00D664025S

(12) **United States Design Patent**
Horn

(10) **Patent No.:** **US D664,025 S**

(45) **Date of Patent:** **** *Jul. 24, 2012**

(54) **CABLE BRACKET**

(76) Inventor: **Gerald H. Horn**, Brimfield, IL (US)

(*) Notice: This patent is subject to a terminal disclaimer.

(**) Term: **14 Years**

(21) Appl. No.: **29/310,713**

(22) Filed: **Sep. 5, 2008**

(51) **LOC (9) Cl.** **08-05**

(52) **U.S. Cl.** **D8/354**

(58) **Field of Classification Search** D8/354,
D8/356, 349, 499, 373; 248/68.1, 909, 65,
248/49, 57; 211/26; 4/695, 696; 242/614
See application file for complete search history.

(56) **References Cited**

U.S. PATENT DOCUMENTS

4,562,982	A *	1/1986	McSherry et al.	248/61
D293,203	S *	12/1987	Hertensteiner	D8/354
5,060,892	A	10/1991	Dougherty	248/57
5,136,985	A *	8/1992	Krowech	122/510
D339,982	S *	10/1993	Rodriguez Prados	D8/356
5,377,939	A *	1/1995	Kirma	248/68.1
5,593,115	A *	1/1997	Lewis	248/68.1
5,615,850	A	4/1997	Cloninger	248/68.1
5,836,130	A	11/1998	Unruh et al.	52/698
5,954,302	A *	9/1999	Robertson et al.	248/74.3
5,971,329	A *	10/1999	Hickey	248/68.1
6,012,685	A	1/2000	Saraceno, Jr.	248/68.1
6,061,990	A *	5/2000	McMahon	52/677
D448,650	S *	10/2001	Vrame	D8/356
D452,135	S *	12/2001	Wyatt et al.	D8/354
6,375,128	B1 *	4/2002	Condon et al.	248/57
6,390,421	B1	5/2002	Rudd	248/68.1
7,059,573	B2 *	6/2006	Calleja	248/235

D530,187	S *	10/2006	Esbaugh	D8/354
D568,723	S *	5/2008	Morgan	D8/356
7,464,507	B2 *	12/2008	Zierer	52/220.8
D589,782	S *	4/2009	Rowell et al.	D8/356
D596,928	S *	7/2009	Lawrence et al.	D8/356
2009/0014210	A1 *	1/2009	Forbis	174/480

* cited by examiner

Primary Examiner — Mark A Goodwin

(74) *Attorney, Agent, or Firm* — Philip L. Bateman

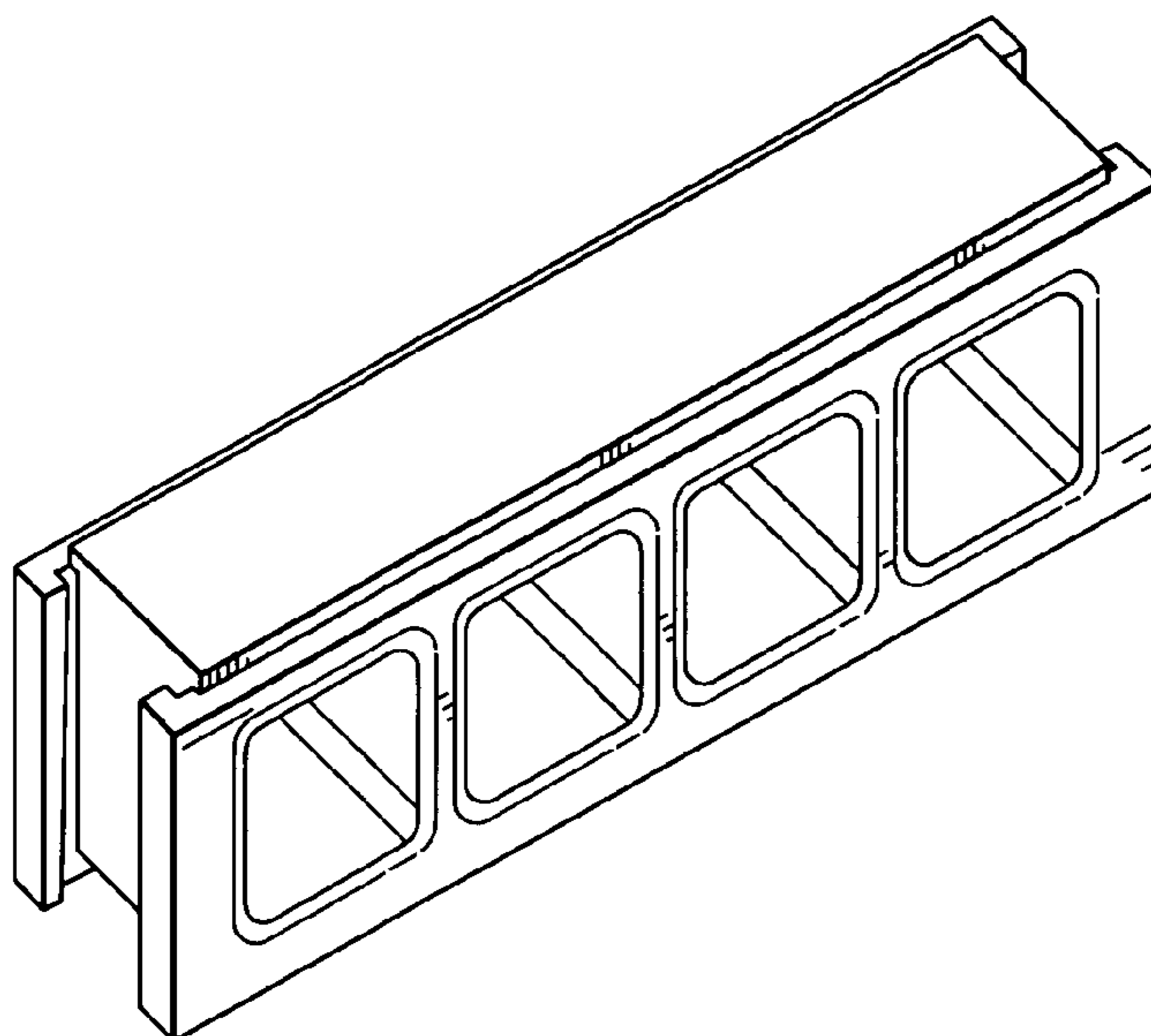
(57) **CLAIM**

The ornamental design for a cable bracket, as shown and described.

DESCRIPTION

FIG. 1 is a front, top, and left side perspective view of a cable bracket showing my new design;
 FIG. 2 is a front, bottom, and right side perspective view thereof;
 FIG. 3 is a top plan view thereof;
 FIG. 4 is a front elevation view thereof;
 FIG. 5 is a right side elevation view thereof;
 FIG. 6 is a bottom plan view thereof;
 FIG. 7 is a front, bottom, and right side exploded perspective view of a cable bracket and a single clip. The clip is shown in broken lines for illustrative purposes only and forms no part of the claimed design; and,
 FIG. 8 is front, bottom, and right side assembled perspective view of two cable brackets stacked within a double clip, attached to an overhanging joist with nails, and holding two electrical cables. The clip, joist, nail heads, and cables are shown in broken lines for illustrative purposes only and form no part of the claimed design.

1 Claim, 2 Drawing Sheets



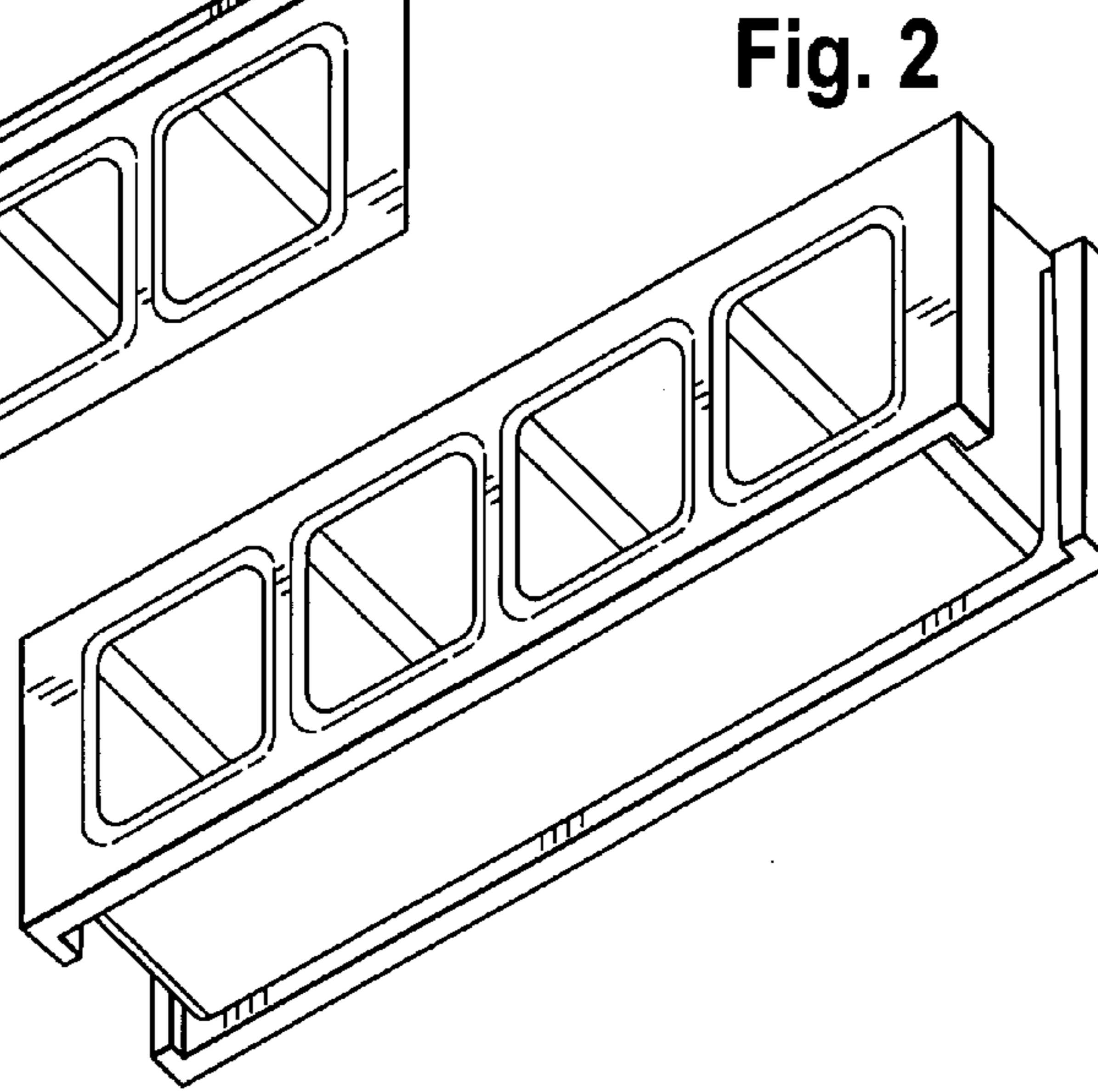
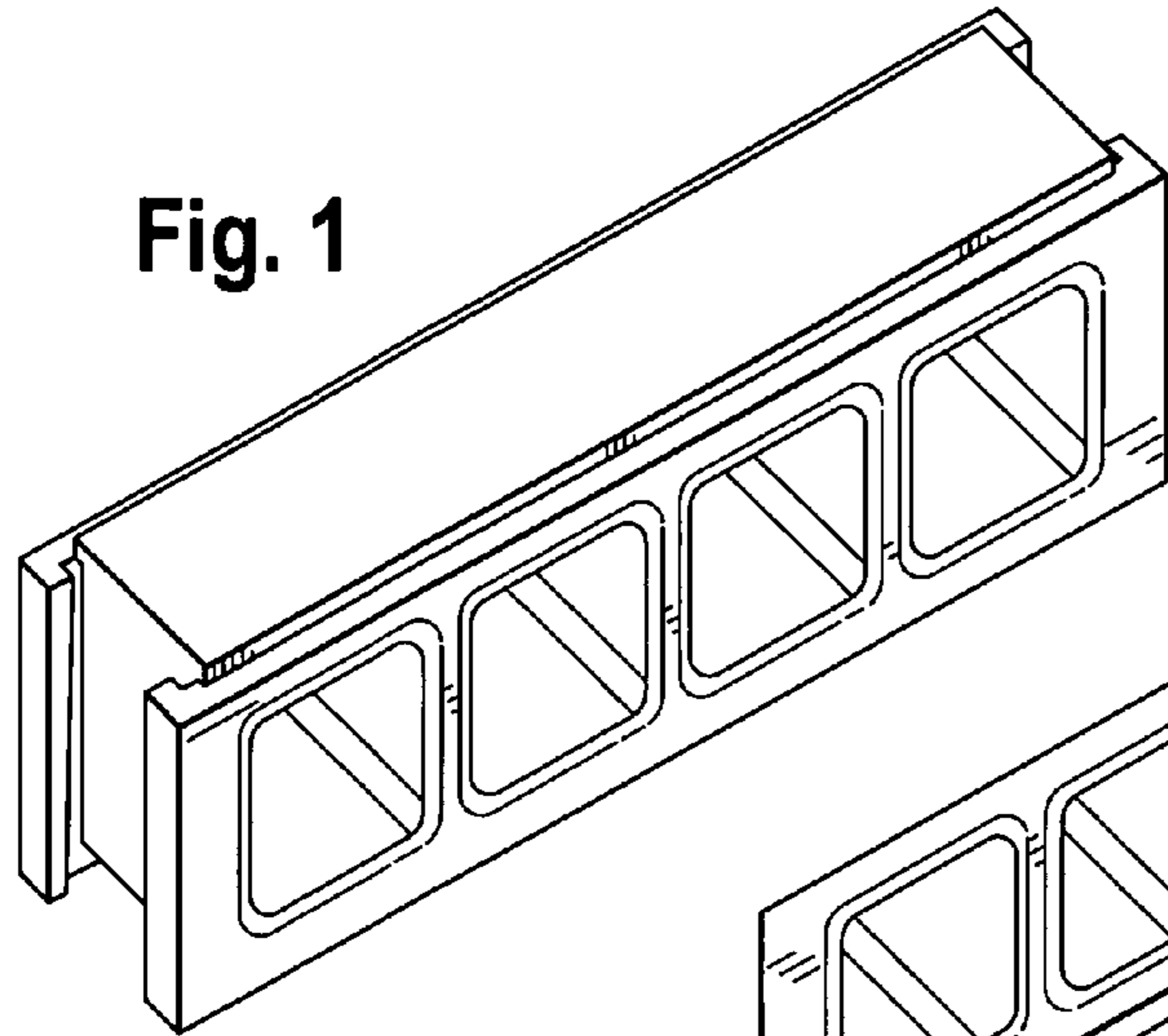


Fig. 3

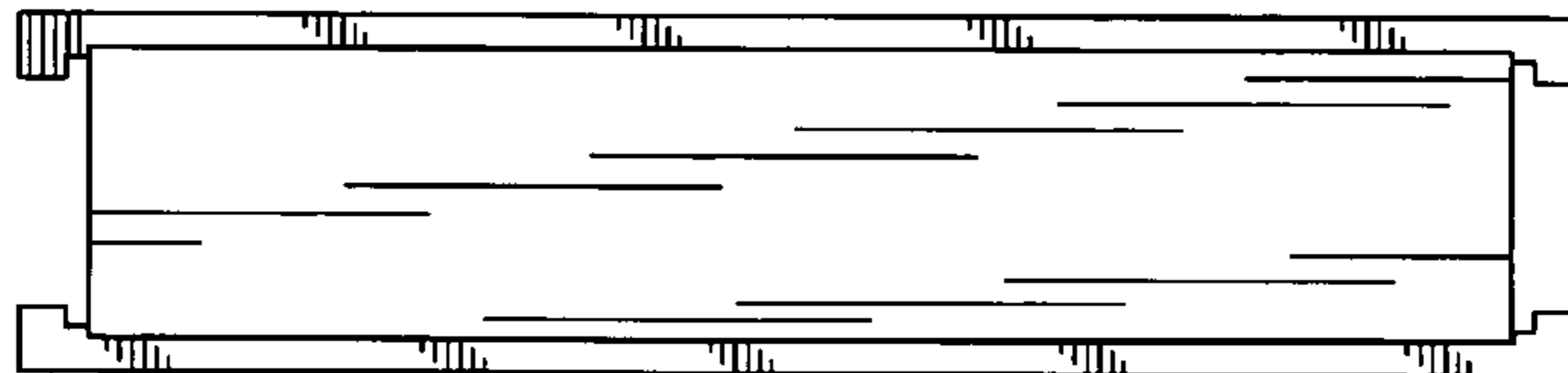


Fig. 4

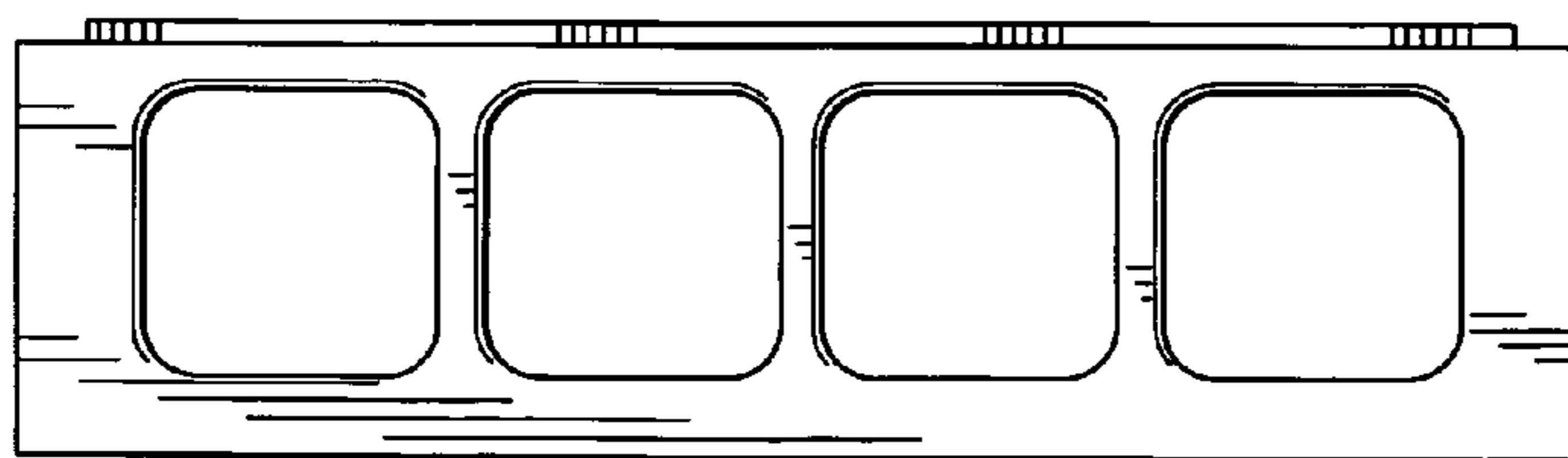


Fig. 5

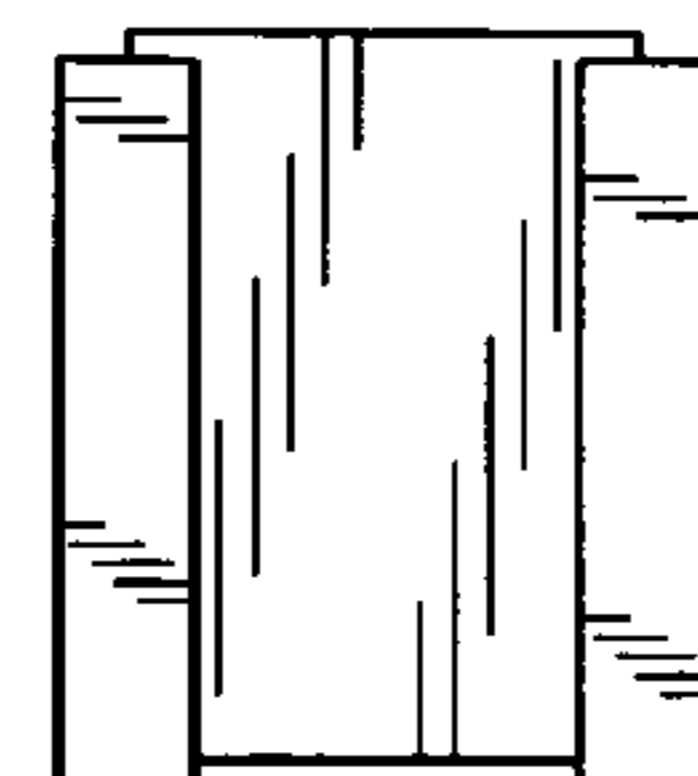


Fig. 6

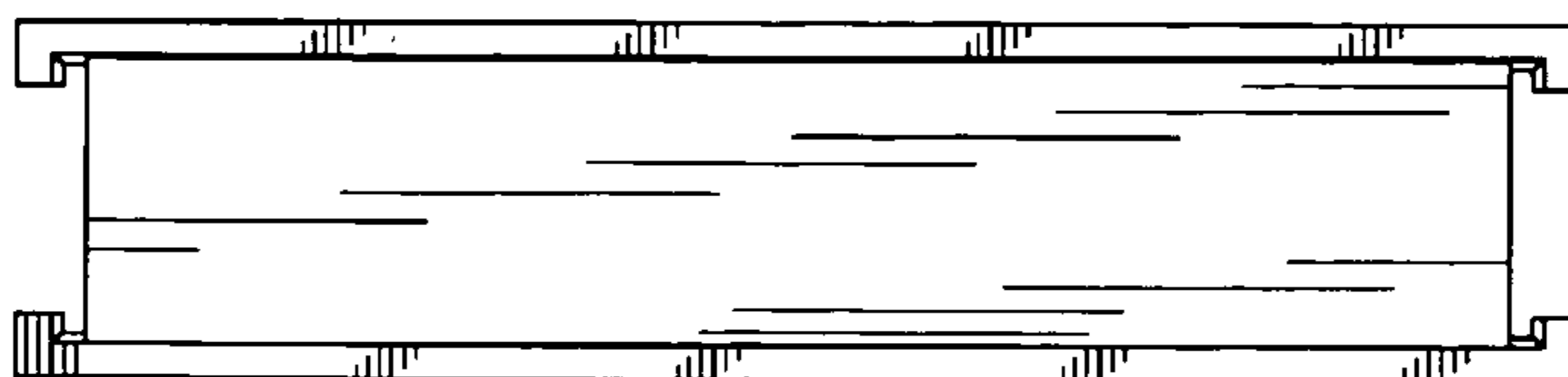


Fig. 7

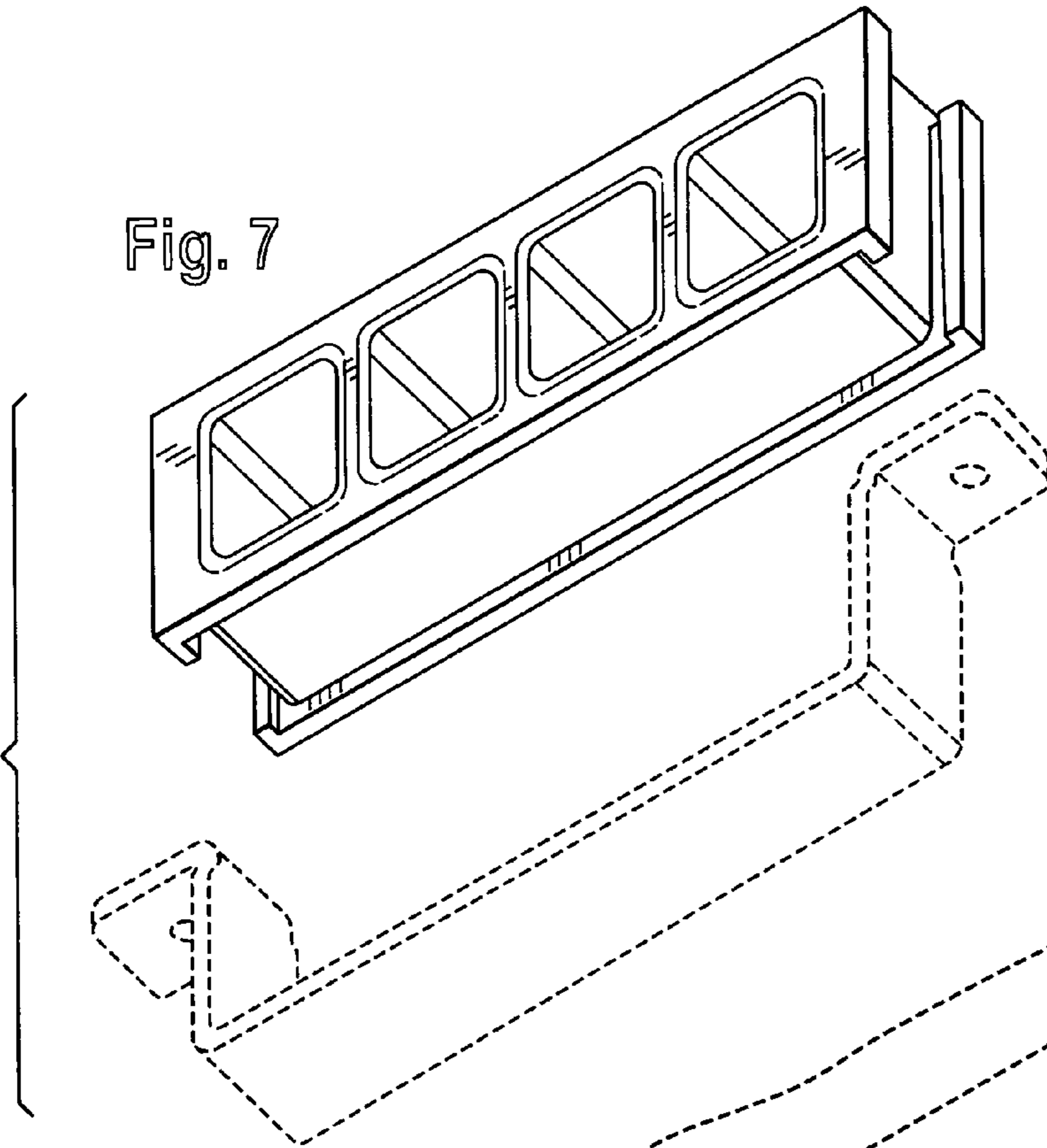


Fig. 8

