



US00D664024S

(12) **United States Design Patent**
Plato

(10) **Patent No.:** **US D664,024 S**
(45) **Date of Patent:** **** Jul. 24, 2012**

(54) **LOCK DIAL**

(75) Inventor: **Lea Marie Plato**, Milwaukee, WI (US)

(73) Assignee: **Master Lock Company LLC**, Oak Creek, WI (US)

(**) Term: **14 Years**

(21) Appl. No.: **29/393,494**

(22) Filed: **Jun. 6, 2011**

(51) **LOC (9) Cl.** **08-07**

(52) **U.S. Cl.** **D8/343; D8/334**

(58) **Field of Classification Search** D8/330-347;
70/14, 20-28, 31, 32, 39, 41, 52-56, 86,
70/314, 423, DIG. 43, DIG. 56, 38 A, DIG. 3,
70/DIG. 4

See application file for complete search history.

(56) **References Cited**

U.S. PATENT DOCUMENTS

D99,554 S	5/1936	Slaymaker	
D142,481 S *	10/1945	Juakopets	D8/334
3,256,723 A	6/1966	Lehman	
4,226,100 A	10/1980	Hampton et al.	
5,761,935 A	6/1998	Adelmeyer	
D408,262 S *	4/1999	Liu	D8/334
6,035,672 A *	3/2000	Lai	70/25
D432,393 S *	10/2000	Gast	D8/346
D437,768 S	2/2001	Grosz et al.	
D451,002 S	11/2001	Lai	
D453,467 S *	2/2002	Nakamura	D8/334
D458,530 S *	6/2002	Grosz et al.	D8/334
6,434,981 B2 *	8/2002	Fantl et al.	70/25
D471,429 S	3/2003	Williams et al.	
6,539,754 B1	4/2003	Fang	
6,718,803 B2	4/2004	Knoll	

6,993,943 B1	2/2006	Chang	
D518,357 S	4/2006	Kearns et al.	
D537,320 S	2/2007	Kearns et al.	
D537,703 S	3/2007	Kearns et al.	
D587,983 S	3/2009	Zorc et al.	
D587,984 S	3/2009	Zorc et al.	
D595,112 S	6/2009	Zorc et al.	
D606,840 S *	12/2009	Gould	D8/331
D638,278 S *	5/2011	Plato	D8/334
D646,552 S *	10/2011	Plato	D8/334
2008/0011027 A1	1/2008	Yu	
2010/0326143 A1	12/2010	Loughlin et al.	

* cited by examiner

Primary Examiner — Prabhakar Deshmukh

(74) *Attorney, Agent, or Firm* — Calfee, Halter & Griswold LLP

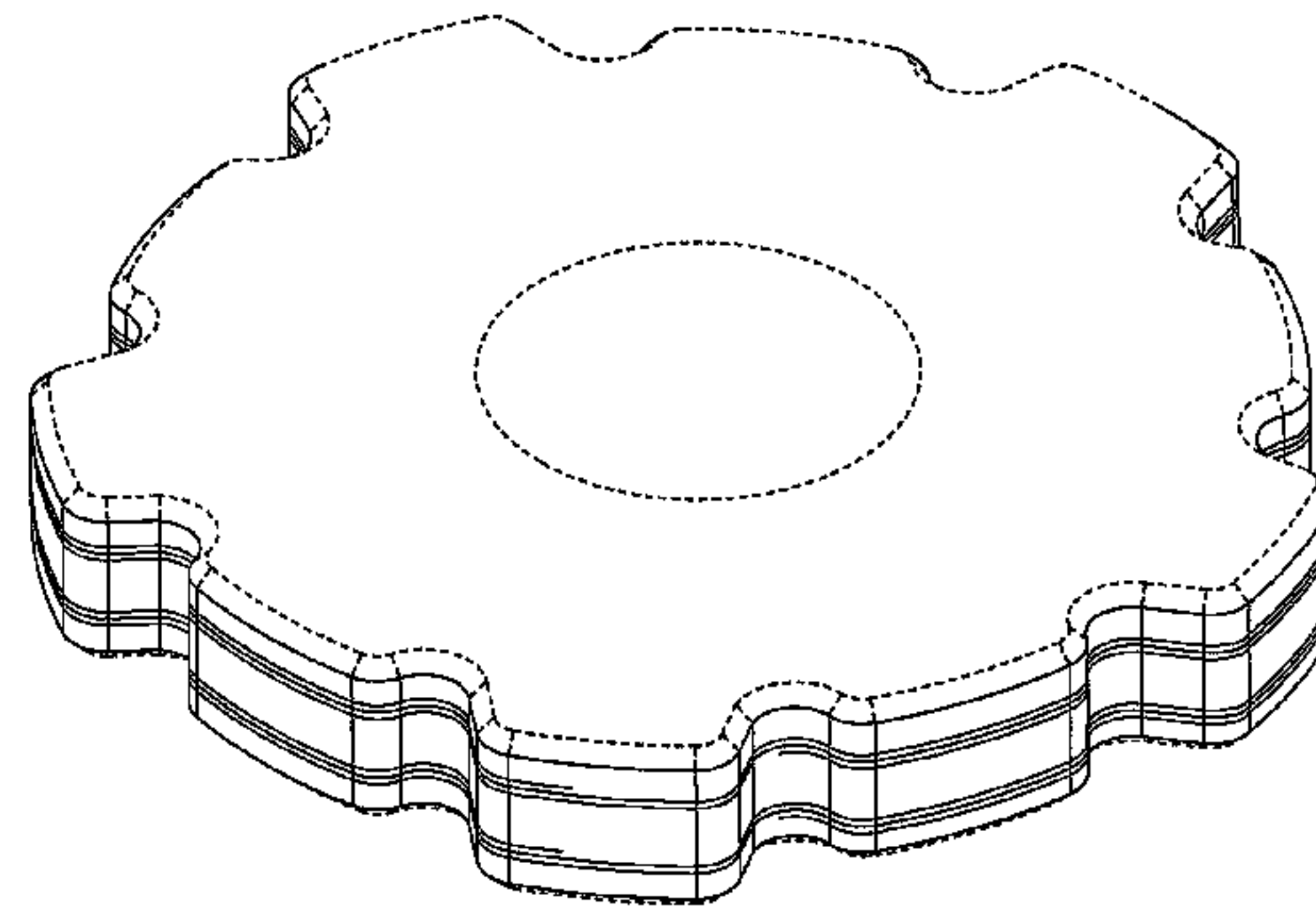
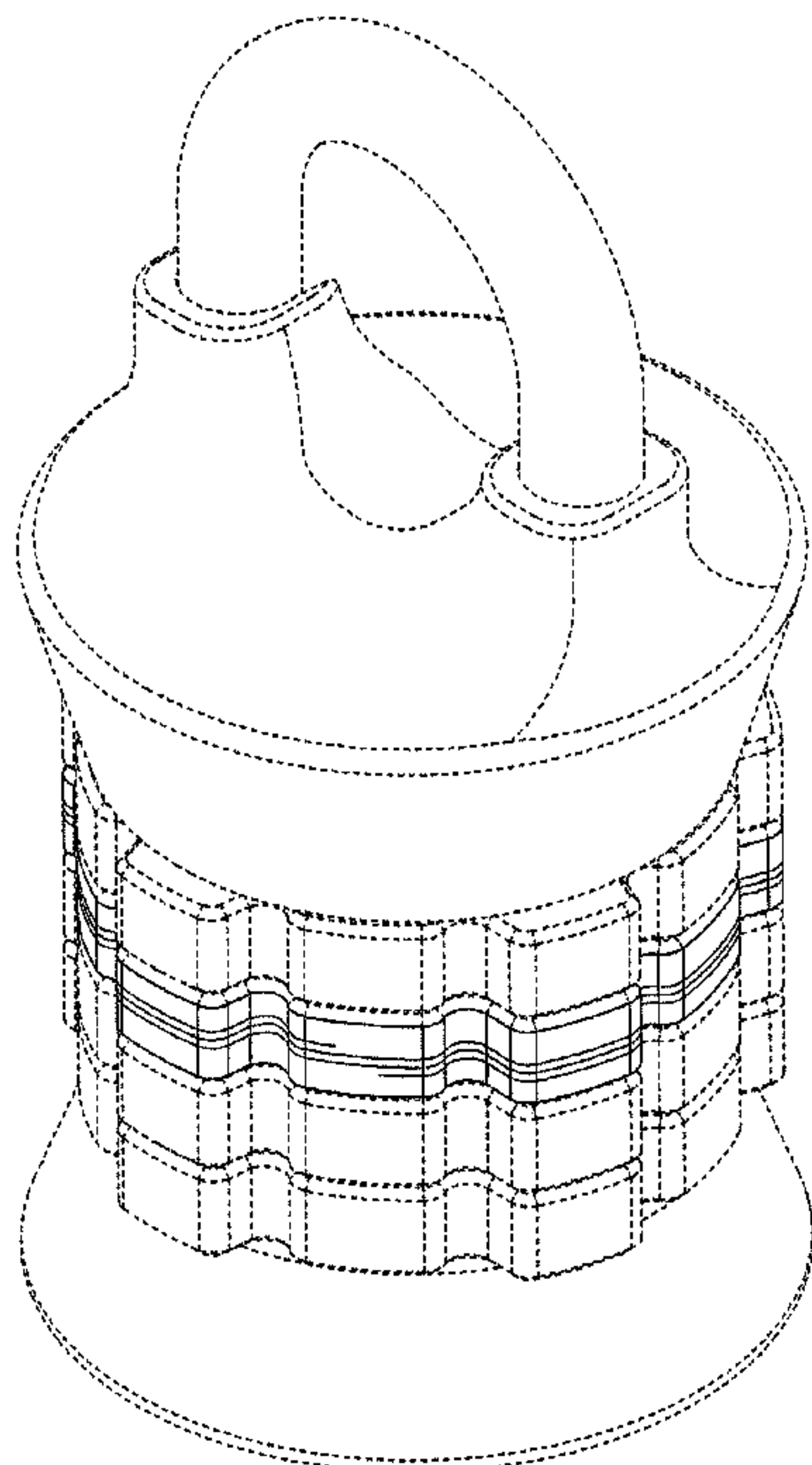
(57) **CLAIM**

I claim the ornamental design for a lock dial, as shown and described.

DESCRIPTION

FIG. 1 is a perspective view of lock dial showing my new design, shown in its environmental use;
FIG. 2 is a front elevational view thereof;
FIG. 3 is a perspective view thereof, shown in another environmental use;
FIG. 4 is another perspective view thereof;
FIG. 5 is a top plan view of FIG. 4; and,
FIG. 6 is a front elevational view of FIG. 4.
The broken lines environment is for illustrative purposes only. The broken lines adjacent to the shaded area form the boundary of the claimed design. None of the broken lines form part of the claimed design.

1 Claim, 5 Drawing Sheets



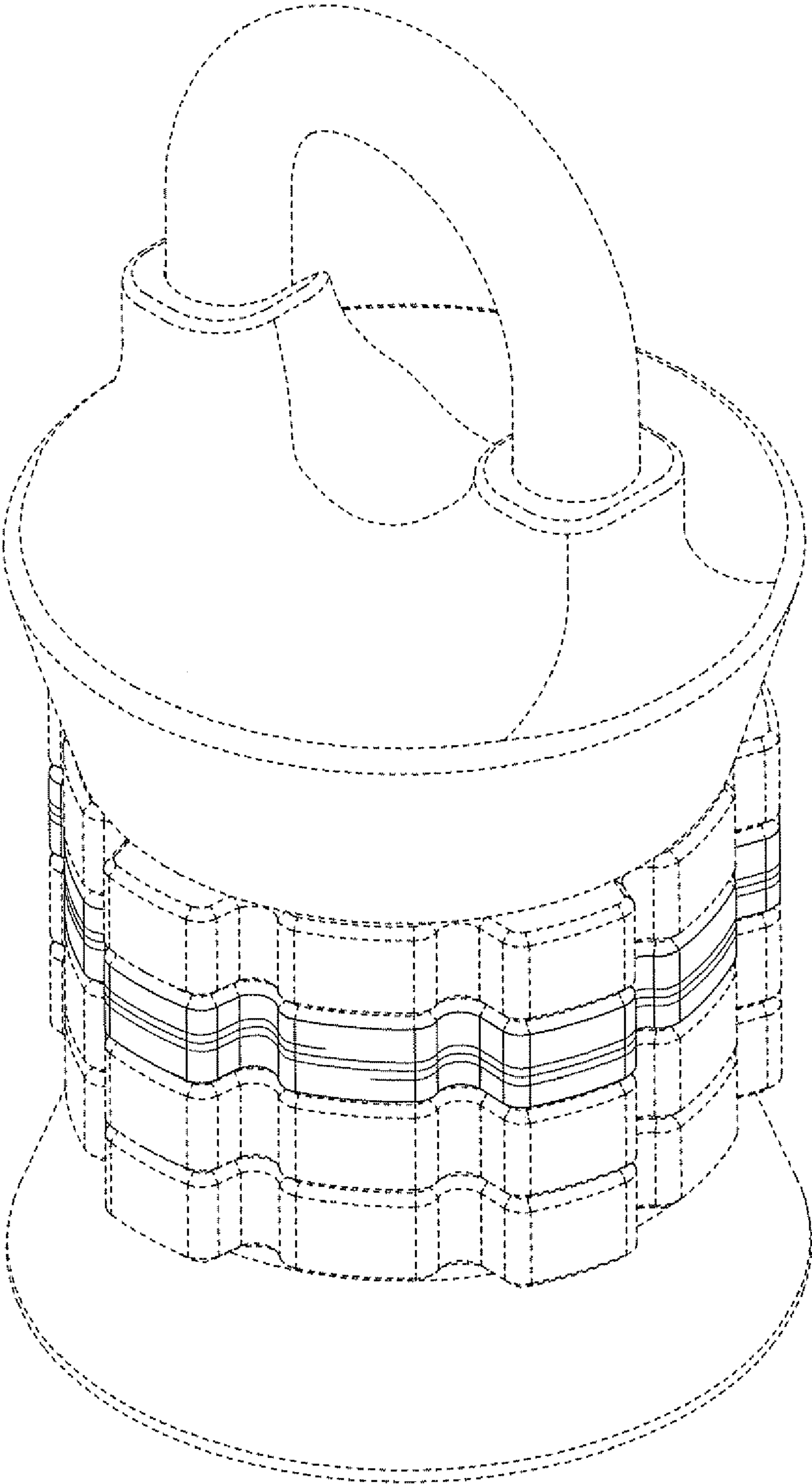


FIG. 1

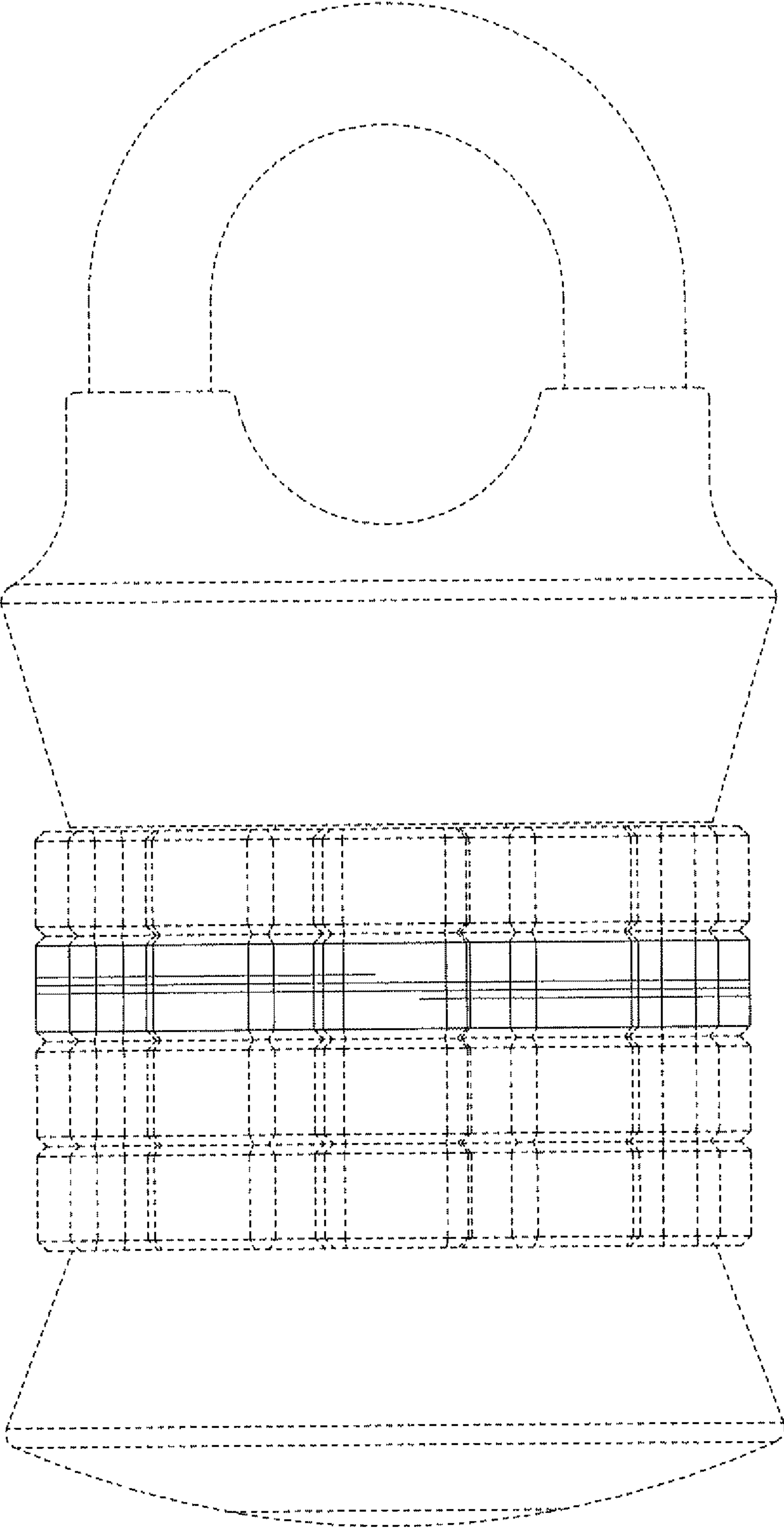


FIG. 2

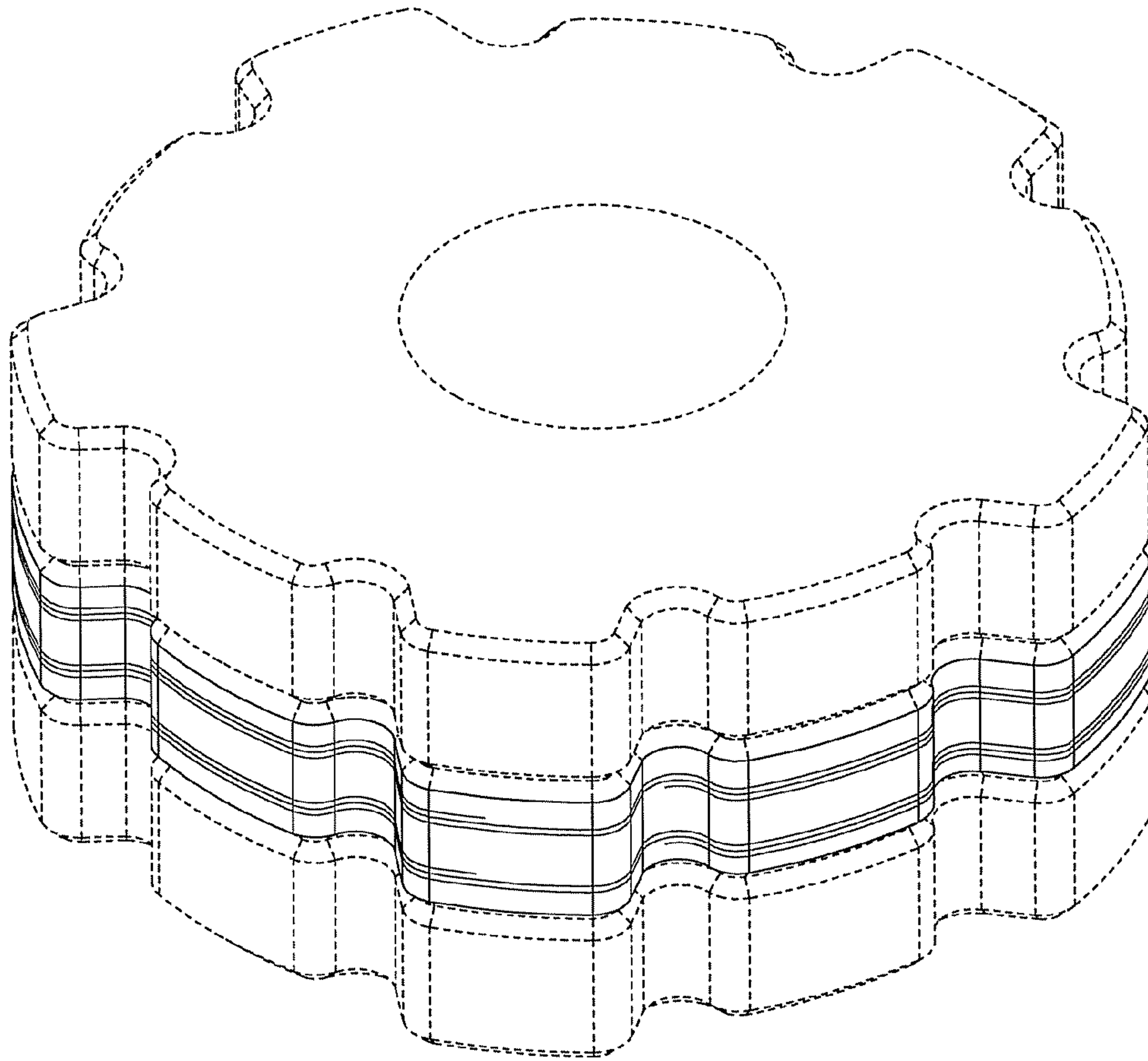


FIG. 3

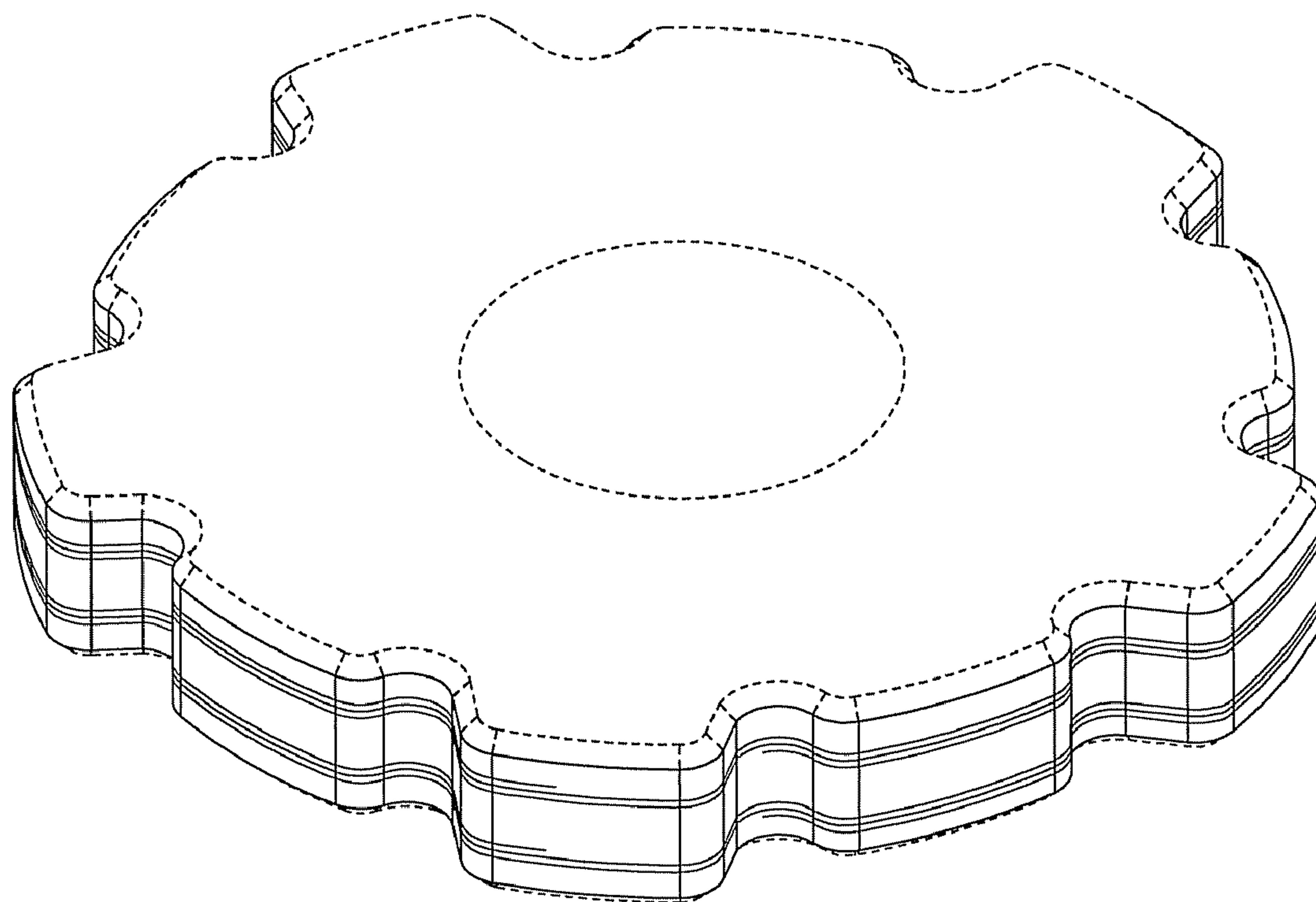


FIG. 4

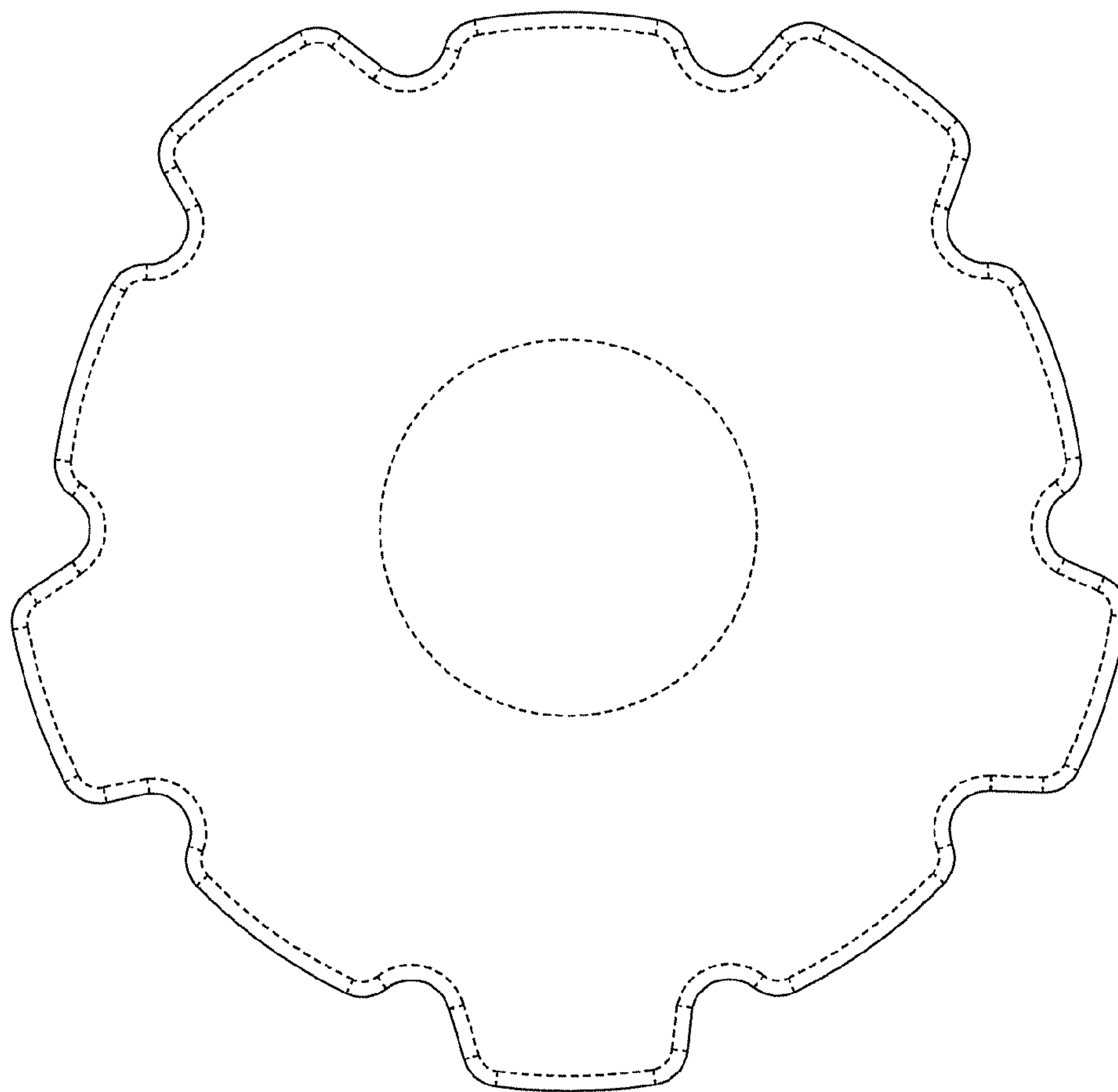


FIG. 5

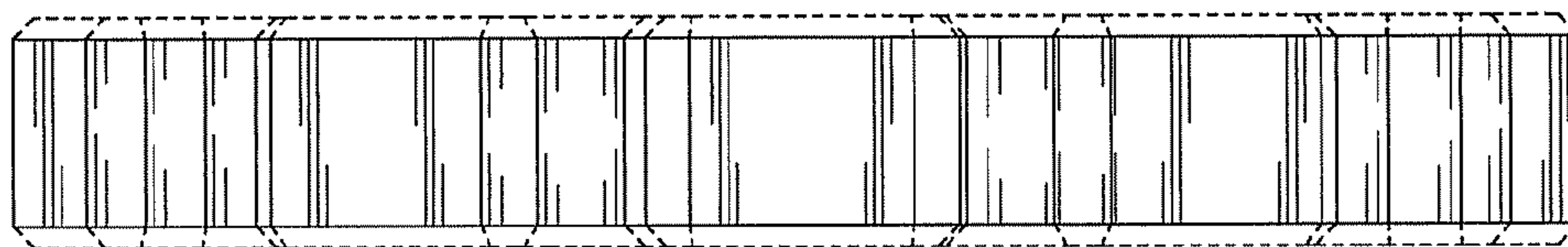


FIG. 6