

US00D664023S

(12) **United States Design Patent**
Gilbert

(10) **Patent No.:** **US D664,023 S**
(45) **Date of Patent:** **** Jul. 24, 2012**

(54) **HANDLE**

(75) Inventor: **Christopher Jon Gilbert**, Moreland Hills, OH (US)

(73) Assignee: **Moen Incorporated**, North Olmsted, OH (US)

(**) Term: **14 Years**

(21) Appl. No.: **29/398,259**

(22) Filed: **Jul. 28, 2011**

(51) **LOC (9) Cl.** **08-06**

(52) **U.S. Cl.** **D8/316**

(58) **Field of Classification Search** D8/300,
D8/315, 316, 317, 318, 319, 320, 322, 401,
D8/DIG. 1; D6/549, 550, 546; 16/110.1,
16/415, 412, 424; D99/11; 211/105.1; 248/254,
248/262

See application file for complete search history.

(56) **References Cited**

U.S. PATENT DOCUMENTS

D60,180 S *	1/1922	Thompson et al.	D14/248
1,978,960 A *	10/1934	Schlegel	105/354
D119,283 S	3/1940	Retch		
D122,120 S	8/1940	Johns		
D125,452 S *	2/1941	Marscheck et al.	D8/318
D138,909 S *	9/1944	Stone et al.	D8/317
D138,910 S *	9/1944	Stone et al.	D8/317
2,402,127 A *	6/1946	Cohn	211/123
D175,751 S	10/1955	Aleks		
3,311,943 A	4/1967	Budai		
D290,496 S	6/1987	Ryan		
D312,935 S *	12/1990	Chap et al.	D6/549
D361,671 S	8/1995	Sharpe		
D381,252 S	7/1997	Chieda		
D391,831 S	3/1998	Doughty et al.		
D402,530 S *	12/1998	Simons et al.	D8/317
D405,508 S	2/1999	Doughty et al.		

D451,738 S	12/2001	Yeh
D471,964 S	3/2003	Bates et al.
D474,957 S	5/2003	Singtoroj et al.
D478,472 S	8/2003	Cozzolino et al.
D481,234 S	10/2003	Lai
D482,758 S	11/2003	Bates et al.
D514,203 S	1/2006	Kulig
D520,790 S	5/2006	Chen
D521,789 S	5/2006	Berberet
D522,847 S	6/2006	Suero, Jr.
D543,755 S	6/2007	Bauer et al.
D553,944 S	10/2007	Jou
D554,974 S	11/2007	Huang
D558,304 S	12/2007	Hoernig
D563,159 S	3/2008	Rae
D563,526 S	3/2008	Bauer
D568,142 S	5/2008	Zhang et al.

(Continued)

Primary Examiner — Paula Greene

(74) *Attorney, Agent, or Firm* — Calfee, Halter & Griswold LLP

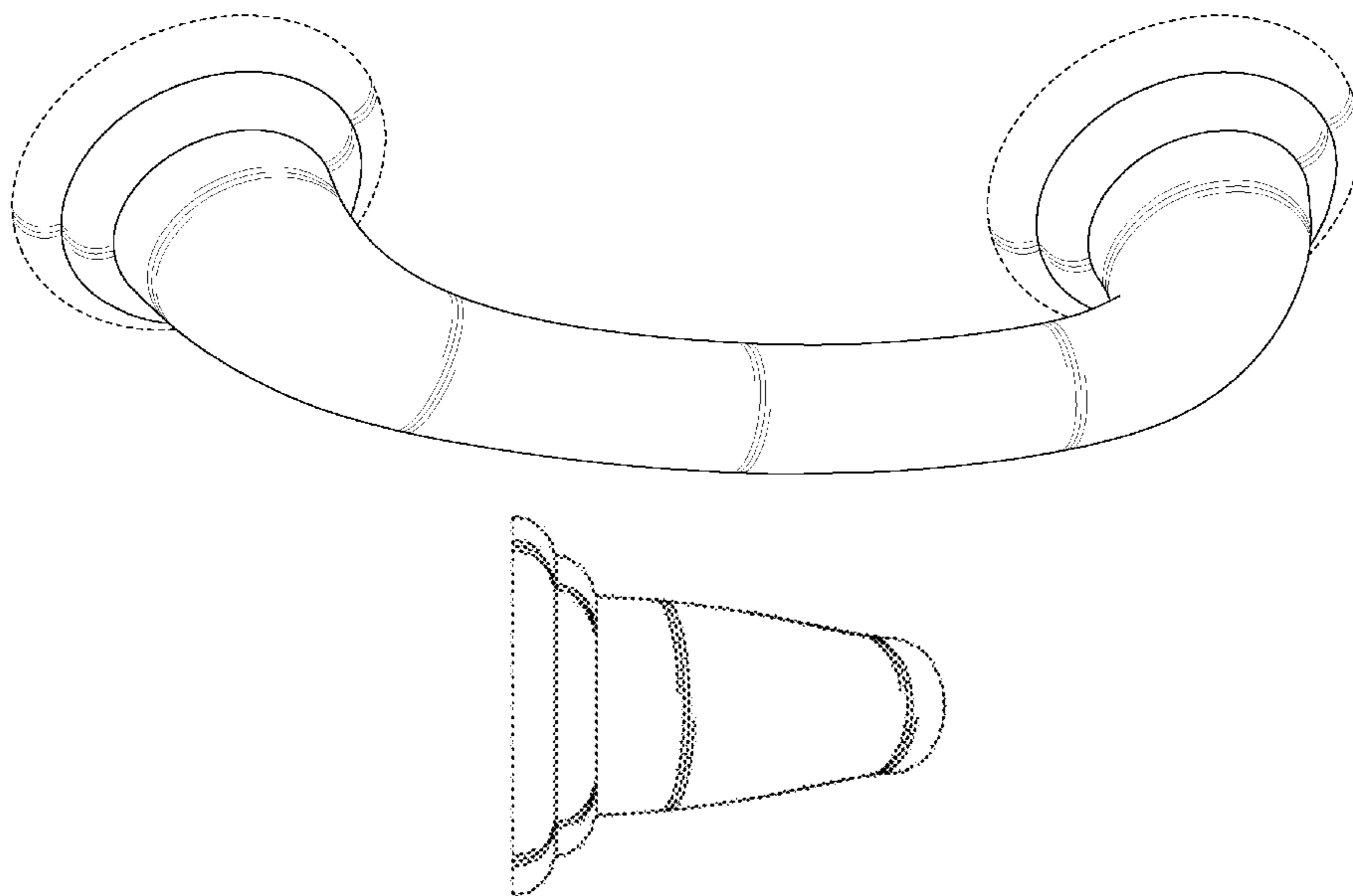
(57) **CLAIM**

The ornamental design for a handle, as shown and described.

DESCRIPTION

FIG. 1 is a perspective view of a handle of the new design; FIG. 2 is a front elevational view of the handle of the new design; FIG. 3 is a rear elevational view of the handle of the new design; FIG. 4 is a left side elevational view of the handle of the new design, the right side elevational view being a mirror image thereof; and, FIG. 5 is a top plan view of the handle of the new design, the bottom plan view being a mirror image thereof. The portions of the Figures shown in broken lines are not part of the claimed design and are for illustration only.

1 Claim, 3 Drawing Sheets



US D664,023 S

Page 2

U.S. PATENT DOCUMENTS

D571,145 S	6/2008	Rae	D611,797 S	3/2010	Koskela	
D573,868 S	7/2008	Ricereto	D625,949 S	10/2010	Rae	
D582,750 S	12/2008	Heidrich et al.	D627,443 S	11/2010	Sedwick	
D584,593 S	1/2009	Jou	D629,669 S	12/2010	Mattson	
D593,793 S	6/2009	Rae	D630,042 S	1/2011	Rae	
D607,691 S	1/2010	Rae	D642,446 S *	8/2011	Roe et al. D8/320

* cited by examiner

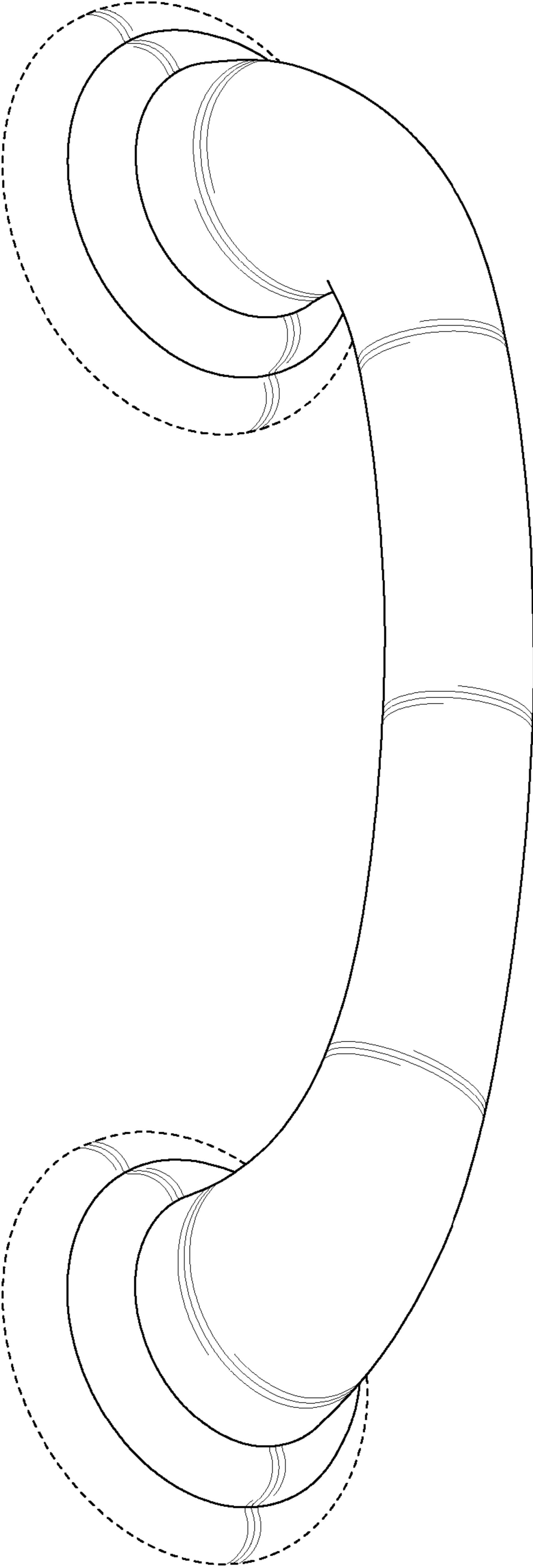
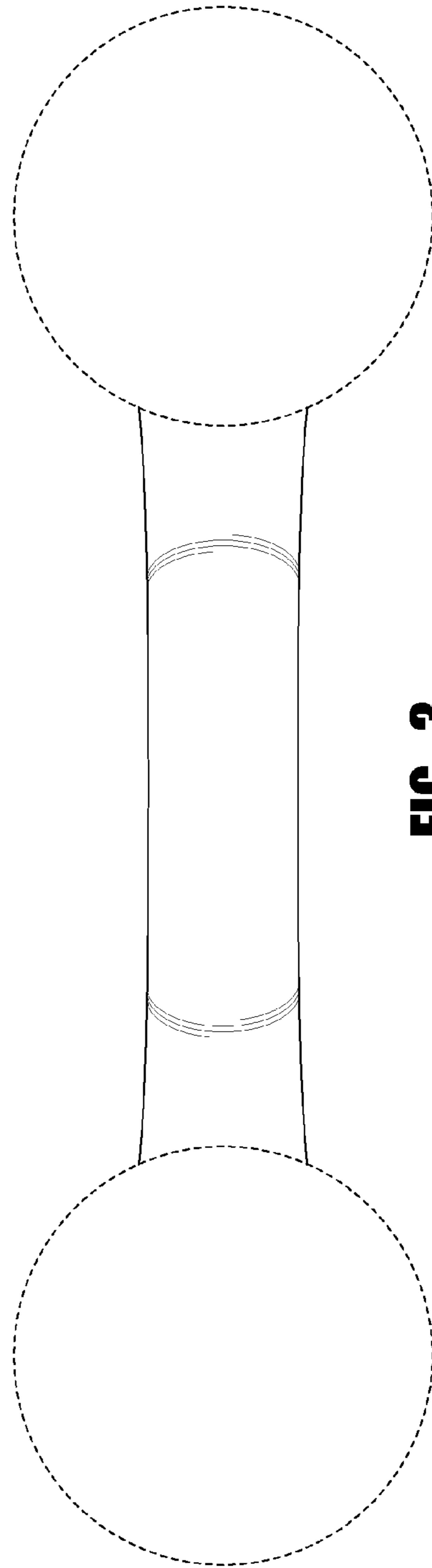
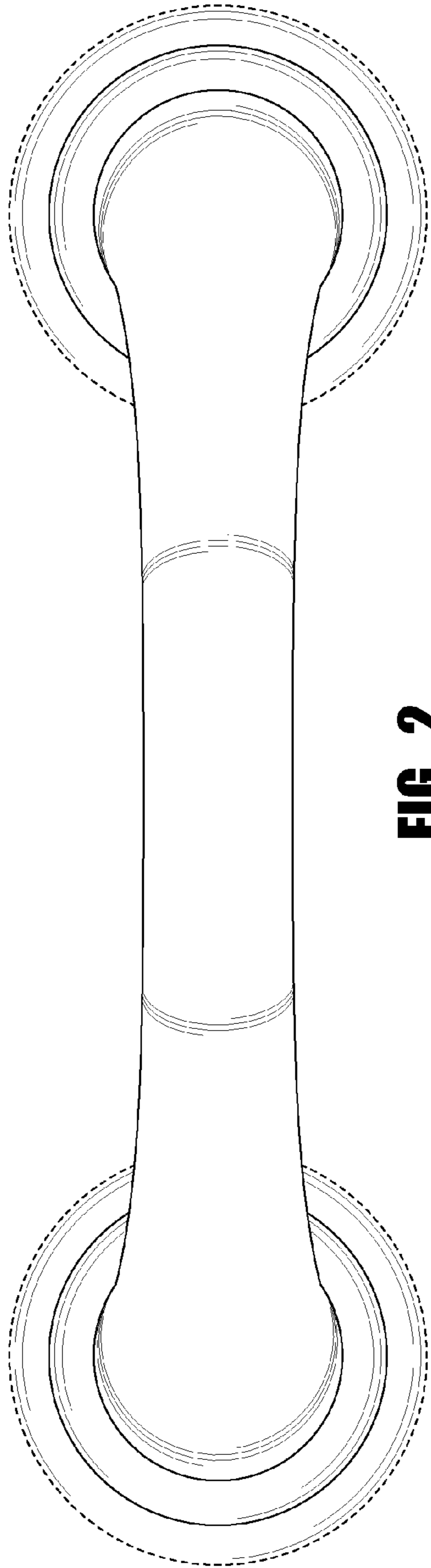


FIG. 1



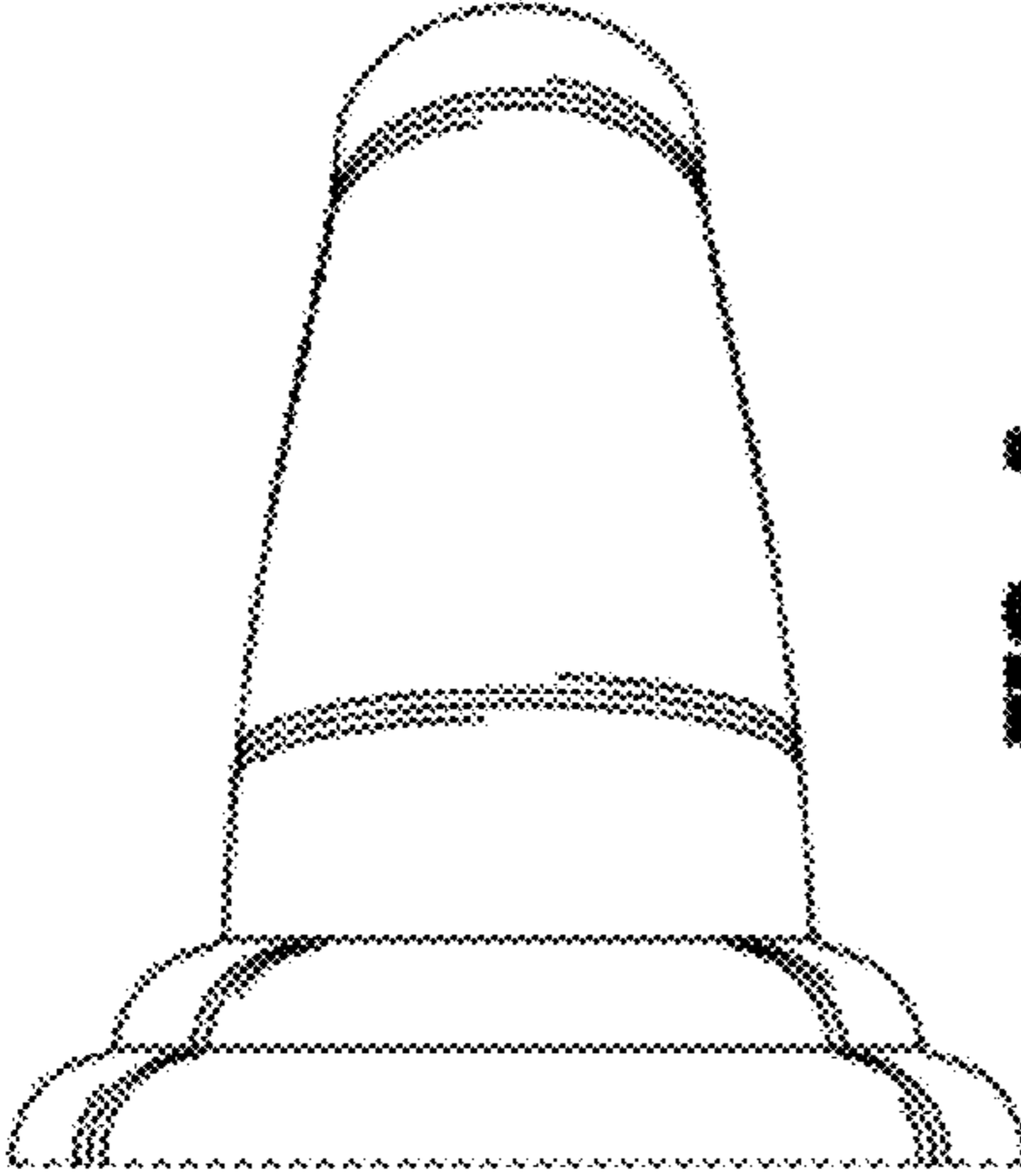


FIG. 4

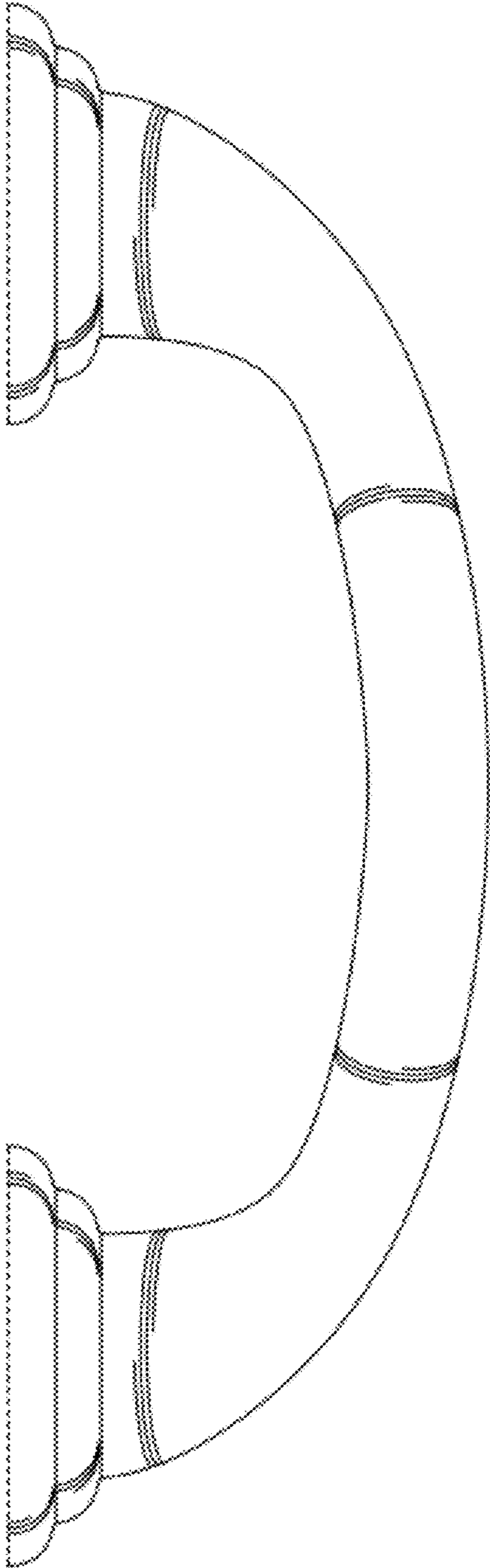


FIG. 5